

Altera's new Cyclone® IV FPGA device family extends the Cyclone FPGA series leadership in providing the market's lowest-cost, lowest-power FPGAs, now with a transceiver variant. Cyclone IV devices are targeted to high-volume, cost-sensitive applications, enabling system designers to meet increasing bandwidth requirements while lowering costs.

Built on an optimized low-power process, the Cyclone IV device family offers the following two variants:

- Cyclone IV E—lowest power, high functionality with the lowest cost
- Cyclone IV GX—lowest power and lowest cost FPGAs with 3.125 Gbps transceivers



Cyclone IV E devices are offered in core voltage of 1.0 V and 1.2 V.



For more information, refer to the *Power Requirements for Cyclone IV Devices* chapter.

Providing power and cost savings without sacrificing performance, along with a low-cost integrated transceiver option, Cyclone IV devices are ideal for low-cost, small-form-factor applications in the wireless, wireline, broadcast, industrial, consumer, and communications industries.

Cyclone IV Device Family Features

The Cyclone IV device family offers the following features:

- Low-cost, low-power FPGA fabric:
 - 6K to 150K logic elements
 - Up to 6.3 Mb of embedded memory
 - Up to 360 18 × 18 multipliers for DSP processing intensive applications
 - Protocol bridging applications for under 1.5 W total power

- Cyclone IV GX devices offer up to eight high-speed transceivers that provide:
 - Data rates up to 3.125 Gbps
 - 8B/10B encoder/decoder
 - 8-bit or 10-bit physical media attachment (PMA) to physical coding sublayer (PCS) interface
 - Byte serializer/deserializer (SERDES)
 - Word aligner
 - Rate matching FIFO
 - TX bit slipper for Common Public Radio Interface (CPRI)
 - Electrical idle
 - Dynamic channel reconfiguration allowing you to change data rates and protocols on-the-fly
 - Static equalization and pre-emphasis for superior signal integrity
 - 150 mW per channel power consumption
 - Flexible clocking structure to support multiple protocols in a single transceiver block
- Cyclone IV GX devices offer dedicated hard IP for PCI Express (PIPE) (PCIe) Gen 1:
 - ×1, ×2, and ×4 lane configurations
 - End-point and root-port configurations
 - Up to 256-byte payload
 - One virtual channel
 - 2 KB retry buffer
 - 4 KB receiver (Rx) buffer
- Cyclone IV GX devices offer a wide range of protocol support:
 - PCIe (PIPE) Gen 1 ×1, ×2, and ×4 (2.5 Gbps)
 - Gigabit Ethernet (1.25 Gbps)
 - CPRI (up to 3.072 Gbps)
 - XAUI (3.125 Gbps)
 - Triple rate serial digital interface (SDI) (up to 2.97 Gbps)
 - Serial RapidIO (3.125 Gbps)
 - Basic mode (up to 3.125 Gbps)
 - V-by-One (up to 3.0 Gbps)
 - DisplayPort (2.7 Gbps)
 - Serial Advanced Technology Attachment (SATA) (up to 3.0 Gbps)
 - OBSAI (up to 3.072 Gbps)

- Up to 532 user I/Os
 - LVDS interfaces up to 840 Mbps transmitter (Tx), 875 Mbps Rx
 - Support for DDR2 SDRAM interfaces up to 200 MHz
 - Support for QDRII SRAM and DDR SDRAM up to 167 MHz
- Up to eight phase-locked loops (PLLs) per device
- Offered in commercial and industrial temperature grades

Device Resources

Table 1-1 lists Cyclone IV E device resources.

Table 1-1. Resources for the Cyclone IV E Device Family

Resources	EP4CE6	EP4CE10	EP4CE15	EP4CE22	EP4CE30	EP4CE40	EP4CE55	EP4CE75	EP4CE115
Logic elements (LEs)	6,272	10,320	15,408	22,320	28,848	39,600	55,856	75,408	114,480
Embedded memory (Kbits)	270	414	504	594	594	1,134	2,340	2,745	3,888
Embedded 18 × 18 multipliers	15	23	56	66	66	116	154	200	266
General-purpose PLLs	2	2	4	4	4	4	4	4	4
Global Clock Networks	10	10	20	20	20	20	20	20	20
User I/O Banks	8	8	8	8	8	8	8	8	8
Maximum user I/O	179	179	343	153	532	532	374	426	528

Table 1–2 lists Cyclone IV GX device resources.

Table 1–2. Resources for the Cyclone IV GX Device Family

Resources	EP4CGX15	EP4CGX22	EP4CGX30 (1)	EP4CGX30 (2)	EP4CGX50 (8)	EP4CGX75 (8)	EP4CGX110 (8)	EP4CGX150 (8)
Logic elements (LEs)	14,400	21,280	29,440	29,440	49,888	73,920	109,424	149,760
Embedded memory (Kbits)	540	756	1,080	1,080	2,502	4,158	5,490	6,480
Embedded 18 × 18 multipliers	0	40	80	80	140	198	280	360
General purpose PLLs	1	2	2	4 (4)	4 (4)	4 (4)	4 (4)	4 (4)
Multipurpose PLLs	2 (3)	2 (3)	2 (3)	2 (3)	4 (3)	4 (3)	4 (3)	4 (3)
Global clock networks	20	20	20	30	30	30	30	30
High-speed transceivers (7)	2	4	4	4	8	8	8	8
Transceiver maximum data rate (Gbps)	2.5	2.5	2.5	3.125	3.125	3.125	3.125	3.125
PCIe (PIPE) hard IP blocks	1	1	1	1	1	1	1	1
User I/O banks	9 (5)	9 (5)	9 (5)	11 (6)	11 (6)	11 (6)	11 (6)	11 (6)
Maximum user I/O	72	150	150	290	310	310	475	475

Notes to Table 1–2:

- (1) Applicable for the F169 and F324 packages.
- (2) Applicable for the F484 package.
- (3) You can use the multipurpose PLLs for general purpose clocking when they are not used to clock the transceivers. For more information, refer to the *Clock Networks and PLLs in Cyclone IV Devices* chapter.
- (4) Two of the general purpose PLLs are able to support transceiver clocking. For more information, refer to the *Clock Networks and PLLs in Cyclone IV Devices* chapter.
- (5) Including one configuration I/O bank and two dedicated clock input I/O banks for HSSI reference clock input.
- (6) Including one configuration I/O bank and four dedicated clock input I/O banks for HSSI reference clock input.
- (7) If PCIe ×1, you can use the remaining transceivers in a quad for other protocols at the same or different data rates.
- (8) Only two multipurpose PLLs for F484 package.

Package Matrix

Table 1-3 lists Cyclone IV E device package offerings.

Table 1-3. Package Offerings for the Cyclone IV E Device Family (Note 1)

Package	E144		F256		F484		F780	
Size (mm)	22 × 22		17 × 17		23 × 23		29 × 29	
Pitch (mm)	0.5		1.0		1.0		1.0	
Device	User I/O	LVDS (2)	User I/O	LVDS (2)	User I/O	LVDS (2)	User I/O	LVDS (2)
EP4CE6	↑ 91	21	↑ 179	66	—	—	—	—
EP4CE10	↑ 91	21	↑ 179	66	—	—	—	—
EP4CE15	↓ 81	18	↓ 165	53	↑ 343	137	—	—
EP4CE22	↓ 79	17	↓ 153	52	—	—	—	—
EP4CE30	—	—	—	—	↑ 328	124	↑ 532	224
EP4CE40	—	—	—	—	↑ 328	124	↑ 532	224
EP4CE55	—	—	—	—	↑ 324	132	↑ 374	160
EP4CE75	—	—	—	—	↑ 292	110	↑ 426	178
EP4CE115	—	—	—	—	↓ 280	103	↓ 528	230

Notes to Table 1-3:

- (1) The E144 package has an exposed pad at the bottom of the package. This exposed pad is a ground pad that must be connected to the ground plane of your PCB. Use this exposed pad for electrical connectivity and not for thermal purposes.
- (2) This includes both dedicated and emulated LVDS pairs. For more information, refer to the *I/O Features in Cyclone IV Devices* chapter.

Table 1–4 lists Cyclone IV GX device package offerings, including I/O and transceiver counts.

Table 1–4. Package Offerings for the Cyclone IV GX Device Family

Package	N148			F169			F324			F484			F672			F896		
Size (mm)	11 × 11			14 × 14			19 × 19			23 × 23			27 × 27			31 × 31		
Pitch (mm)	0.5			1.0			1.0			1.0			1.0			1.0		
Device	User I/O	LVDS (1)	XCVRs	User I/O	LVDS (1)	XCVRs	User I/O	LVDS (1)	XCVRs	User I/O	LVDS (1)	XCVRs	User I/O	LVDS (1)	XCVRs	User I/O	LVDS (1)	XCVRs
EP4CGX15	72	25	2	↕ 72	25	2	—	—	—	—	—	—	—	—	—	—	—	—
EP4CGX22	—	—	—	↕ 72	25	2	↕ 150	64	4	—	—	—	—	—	—	—	—	—
EP4CGX30	—	—	—	↕ 72	25	2	↕ 150	64	4	↕ 290	130	4	—	—	—	—	—	—
EP4CGX50	—	—	—	—	—	—	—	—	—	↕ 290	130	4	↕ 310	140	8	—	—	—
EP4CGX75	—	—	—	—	—	—	—	—	—	↕ 290	130	4	↕ 310	140	8	—	—	—
EP4CGX110	—	—	—	—	—	—	—	—	—	↕ 270	120	4	↕ 393	181	8	↕ 475	220	8
EP4CGX150	—	—	—	—	—	—	—	—	—	↕ 270	120	4	↕ 393	181	8	↕ 475	220	8

Note to Table 1–4:

(1) This includes both dedicated and emulated LVDS pairs. For more information, refer to the *I/O Features in Cyclone IV Devices* chapter.

Cyclone IV Device Family Speed Grades

Table 1-5 lists the Cyclone IV GX devices speed grades.

Table 1-5. Speed Grades for the Cyclone IV GX Device Family

Device	N148	F169	F324	F484	F672	F896
EP4CGX15	C8	C6, C7, C8, I7	—	—	—	—
EP4CGX22	—	C6, C7, C8, I7	C6, C7, C8, I7	—	—	—
EP4CGX30	—	C6, C7, C8, I7	C6, C7, C8, I7	C6, C7, C8, I7	—	—
EP4CGX50	—	—	—	C6, C7, C8, I7	C6, C7, C8, I7	—
EP4CGX75	—	—	—	C6, C7, C8, I7	C6, C7, C8, I7	—
EP4CGX110	—	—	—	C7, C8, I7	C7, C8, I7	C7, C8, I7
EP4CGX150	—	—	—	C7, C8, I7	C7, C8, I7	C7, C8, I7

Table 1-6 lists the Cyclone IV E devices speed grades.

Table 1-6. Speed Grades for the Cyclone IV E Device Family (Note 1), (2)

Device	E144	F256	F484	F780
EP4CE6	C8L, C9L, I8L C6, C7, C8, I7, A7	C8L, C9L, I8L C6, C7, C8, I7, A7	—	—
EP4CE10	C8L, C9L, I8L C6, C7, C8, I7, A7	C8L, C9L, I8L C6, C7, C8, I7, A7	—	—
EP4CE15	C8L, C9L, I8L C6, C7, C8, I7	C8L, C9L, I8L C6, C7, C8, I7, A7	C8L, C9L, I8L C6, C7, C8, I7, A7	—
EP4CE22	C8L, C9L, I8L C6, C7, C8, I7, A7	C8L, C9L, I8L C6, C7, C8, I7, A7	—	—
EP4CE30	—	—	C8L, C9L, I8L C6, C7, C8, I7, A7	C8L, C9L, I8L C6, C7, C8, I7
EP4CE40	—	—	C8L, C9L, I8L C6, C7, C8, I7, A7	C8L, C9L, I8L C6, C7, C8, I7
EP4CE55	—	—	C8L, C9L, I8L C6, C7, C8, I7	C8L, C9L, I8L C6, C7, C8, I7
EP4CE75	—	—	C8L, C9L, I8L C6, C7, C8, I7	C8L, C9L, I8L C6, C7, C8, I7
EP4CE115	—	—	C8L, C9L, I8L C7, C8, I7	C8L, C9L, I8L C7, C8, I7

Notes to Table 1-6:

- (1) C8L, C9L, and I8L speed grades are applicable for the 1.0-V core voltage.
- (2) C6, C7, C8, I7, and A7 speed grades are applicable for the 1.2-V core voltage.

Cyclone IV Device Family Architecture

This section describes Cyclone IV device architecture and contains the following topics:

- “FPGA Core Fabric”
- “I/O Features”
- “Clock Management”
- “External Memory Interfaces”
- “Configuration”
- “High-Speed Transceivers (Cyclone IV GX Devices Only)”
- “Hard IP for PCI Express (Cyclone IV GX Devices Only)”

FPGA Core Fabric

Cyclone IV devices leverage the same core fabric as the very successful Cyclone series devices. The fabric consists of LEs, made of 4-input look up tables (LUTs), memory blocks, and multipliers.

Each Cyclone IV device M9K memory block provides 9 Kbits of embedded SRAM memory. You can configure the M9K blocks as single port, simple dual port, or true dual port RAM, as well as FIFO buffers or ROM. They can also be configured to implement any of the data widths in [Table 1-7](#).

Table 1-7. M9K Block Data Widths for Cyclone IV Device Family

Mode	Data Width Configurations
Single port or simple dual port	×1, ×2, ×4, ×8/9, ×16/18, and ×32/36
True dual port	×1, ×2, ×4, ×8/9, and ×16/18

The multiplier architecture in Cyclone IV devices is the same as in the existing Cyclone series devices. The embedded multiplier blocks can implement an 18×18 or two 9×9 multipliers in a single block. Altera offers a complete suite of DSP IP including finite impulse response (FIR), fast Fourier transform (FFT), and numerically controlled oscillator (NCO) functions for use with the multiplier blocks. The Quartus® II design software’s DSP Builder tool integrates MathWorks Simulink and MATLAB design environments for a streamlined DSP design flow.



For more information, refer to the *Logic Elements and Logic Array Blocks in Cyclone IV Devices*, *Memory Blocks in Cyclone IV Devices*, and *Embedded Multipliers in Cyclone IV Devices* chapters.

I/O Features

Cyclone IV device I/O supports programmable bus hold, programmable pull-up resistors, programmable delay, programmable drive strength, programmable slew-rate control to optimize signal integrity, and hot socketing. Cyclone IV devices support calibrated on-chip series termination (Rs OCT) or driver impedance matching (Rs) for single-ended I/O standards. In Cyclone IV GX devices, the high-speed transceiver I/Os are located on the left side of the device. The top, bottom, and right sides can implement general-purpose user I/Os.

Table 1-8 lists the I/O standards that Cyclone IV devices support.

Table 1-8. I/O Standards Support for the Cyclone IV Device Family

Type	I/O Standard
Single-Ended I/O	LVTTTL, LVCMOS, SSTL, HSTL, PCI, and PCI-X
Differential I/O	SSTL, HSTL, LVPECL, BLVDS, LVDS, mini-LVDS, RSDS, and PPDS

The LVDS SERDES is implemented in the core of the device using logic elements.

 For more information, refer to the *I/O Features in Cyclone IV Devices* chapter.

Clock Management

Cyclone IV devices include up to 30 global clock (GCLK) networks and up to eight PLLs with five outputs per PLL to provide robust clock management and synthesis. You can dynamically reconfigure Cyclone IV device PLLs in user mode to change the clock frequency or phase.

Cyclone IV GX devices support two types of PLLs: multipurpose PLLs and general-purpose PLLs:

- Use multipurpose PLLs for clocking the transceiver blocks. You can also use them for general-purpose clocking when they are not used for transceiver clocking.
- Use general purpose PLLs for general-purpose applications in the fabric and periphery, such as external memory interfaces. Some of the general purpose PLLs can support transceiver clocking.

 For more information, refer to the *Clock Networks and PLLs in Cyclone IV Devices* chapter.

External Memory Interfaces

Cyclone IV devices support SDR, DDR, DDR2 SDRAM, and QDR II SRAM interfaces on the top, bottom, and right sides of the device. Cyclone IV E devices also support these interfaces on the left side of the device. Interfaces may span two or more sides of the device to allow more flexible board design. The Altera® DDR SDRAM memory interface solution consists of a PHY interface and a memory controller. Altera supplies the PHY IP and you can use it in conjunction with your own custom memory controller or an Altera-provided memory controller. Cyclone IV devices support the use of error correction coding (ECC) bits on DDR and DDR2 SDRAM interfaces.

 For more information, refer to the *External Memory Interfaces in Cyclone IV Devices* chapter.

Configuration

Cyclone IV devices use SRAM cells to store configuration data. Configuration data is downloaded to the Cyclone IV device each time the device powers up. Low-cost configuration options include the Altera EPCS family serial flash devices and commodity parallel flash configuration options. These options provide the flexibility for general-purpose applications and the ability to meet specific configuration and wake-up time requirements of the applications.

Table 1-9 lists which configuration schemes are supported by Cyclone IV devices.

Table 1-9. Configuration Schemes for Cyclone IV Device Family

Devices	Supported Configuration Scheme
Cyclone IV GX	AS, PS, JTAG, and FPP (1)
Cyclone IV E	AS, AP, PS, FPP, and JTAG

Note to Table 1-9:

(1) The FPP configuration scheme is only supported by the EP4CGX30F484 and EP4CGX50/75/110/150 devices.


IEEE 1149.6 (AC JTAG) is supported on all transceiver I/O pins. All other pins support IEEE 1149.1 (JTAG) for boundary scan testing.

 For more information, refer to the *JTAG Boundary-Scan Testing for Cyclone IV Devices* chapter.

For Cyclone IV GX devices to meet the PCIe 100 ms wake-up time requirement, you must use passive serial (PS) configuration mode for the EP4CGX15/22/30 devices and use fast passive parallel (FPP) configuration mode for the EP4CGX30F484 and EP4CGX50/75/110/150 devices.

 For more information, refer to the *Configuration and Remote System Upgrades in Cyclone IV Devices* chapter.

The cyclical redundancy check (CRC) error detection feature during user mode is supported in all Cyclone IV GX devices. For Cyclone IV E devices, this feature is only supported for the devices with the core voltage of 1.2 V.

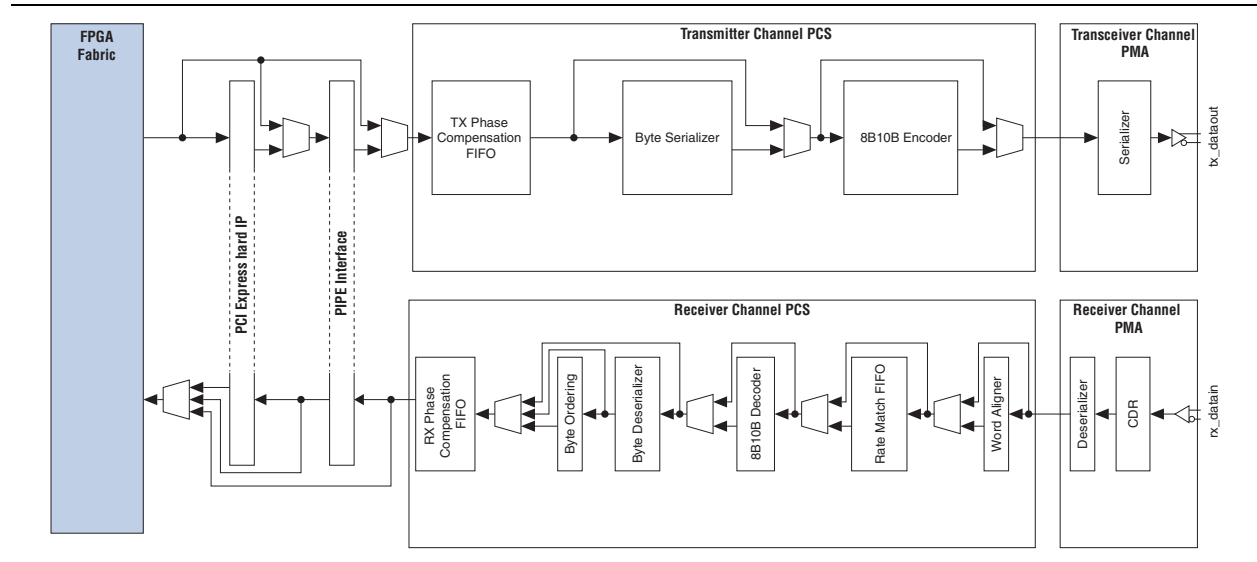
 For more information about CRC error detection, refer to the *SEU Mitigation in Cyclone IV Devices* chapter.

High-Speed Transceivers (Cyclone IV GX Devices Only)

Cyclone IV GX devices contain up to eight full duplex high-speed transceivers that can operate independently. These blocks support multiple industry-standard communication protocols, as well as Basic mode, which you can use to implement your own proprietary protocols. Each transceiver channel has its own pre-emphasis and equalization circuitry, which you can set at compile time to optimize signal integrity and reduce bit error rates. Transceiver blocks also support dynamic reconfiguration, allowing you to change data rates and protocols on-the-fly.

Figure 1-1 shows the structure of the Cyclone IV GX transceiver.

Figure 1-1. Transceiver Channel for the Cyclone IV GX Device



For more information, refer to the [Cyclone IV Transceivers Architecture](#) chapter.

Hard IP for PCI Express (Cyclone IV GX Devices Only)

Cyclone IV GX devices incorporate a single hard IP block for $\times 1$, $\times 2$, or $\times 4$ PCIe (PIPE) in each device. This hard IP block is a complete PCIe (PIPE) protocol solution that implements the PHY-MAC layer, Data Link Layer, and Transaction Layer functionality. The hard IP for the PCIe (PIPE) block supports root-port and end-point configurations. This pre-verified hard IP block reduces risk, design time, timing closure, and verification. You can configure the block with the Quartus II software's PCI Express Compiler, which guides you through the process step by step.

For more information, refer to the [PCI Express Compiler User Guide](#).

Reference and Ordering Information

Figure 1-2 shows the ordering codes for Cyclone IV GX devices.

Figure 1-2. Packaging Ordering Information for the Cyclone IV GX Device

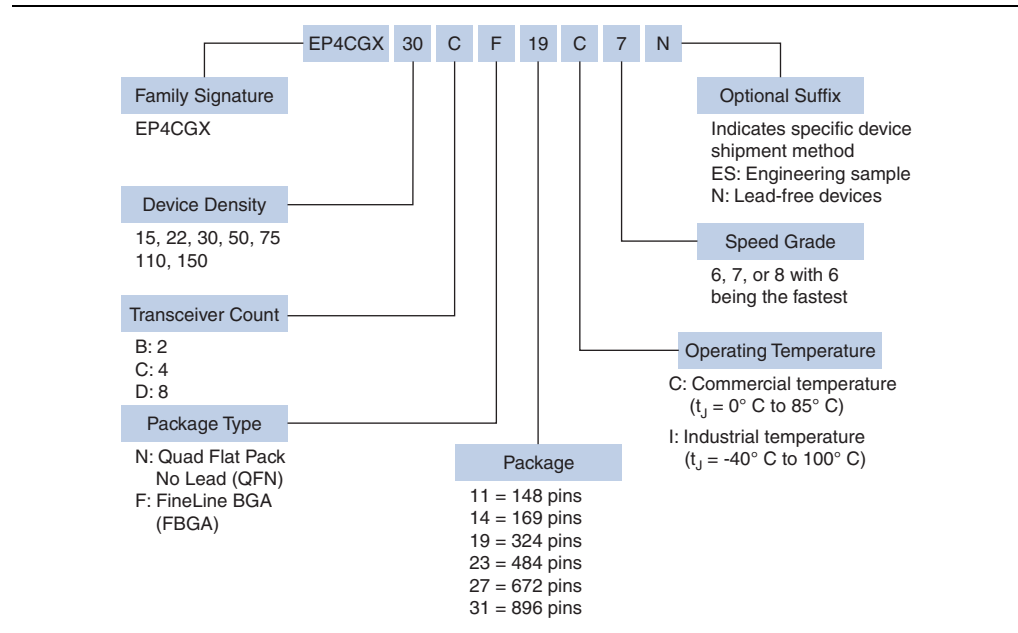
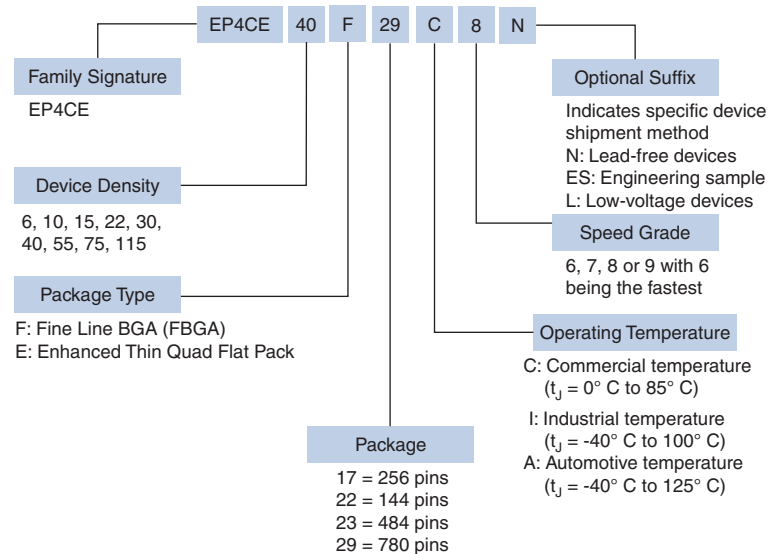


Figure 1-3 shows the ordering codes for Cyclone IV E devices.

Figure 1-3. Packaging Ordering Information for the Cyclone IV E Device



Document Revision History

Table 1-10 lists the revision history for this chapter.

Table 1-10. Document Revision History

Date	Version	Changes Made
July 2010	1.3	<ul style="list-style-type: none"> Updated Table 1-2 to include F484 package information.
March 2010	1.2	<ul style="list-style-type: none"> Updated Table 1-3 and Table 1-6. Updated Figure 1-3. Minor text edits.
February 2010	1.1	<ul style="list-style-type: none"> Added Cyclone IV E devices in Table 1-1, Table 1-3, and Table 1-6 for the Quartus II software version 9.1 SP1 release. Added the “Cyclone IV Device Family Speed Grades” and “Configuration” sections. Added Figure 1-3 to include Cyclone IV E Device Packaging Ordering Information. Updated Table 1-2, Table 1-4, and Table 1-5 for Cyclone IV GX devices. Minor text edits.
November 2009	1.0	Initial release.

