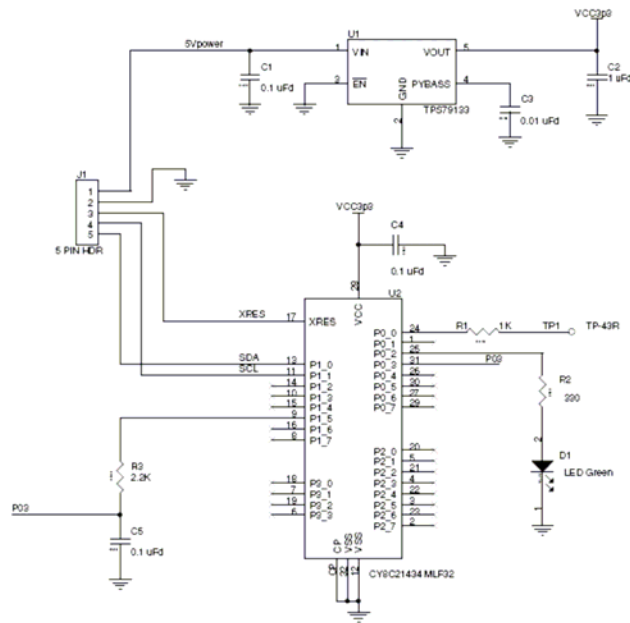


Kit Contents

1. Proximity Detector Demo Board
2. I2C-USB Bridge Board
3. USB Cable
4. Mini CD



Quick Start

1. Install I2C-USB GUI from CD.
2. Connect bridge board to proximity detector.
3. Connect USB cable to computer.
4. Connect USB cable to bridge board.
5. Start I2C-USB GUI.
6. Power device with 3.3V or 5V power from bridge board using GUI control.
7. Go to Chart → Data Settings → Load... (Select ProxDet.ini) → OK
8. File → Open File (Select ProxDet.iic)
9. Click Repeat
10. Open the Chart tab to see the graph data

