

3.3V, 24-Bit Bus Exchange Switch

Product Features

- Near-zero propagation delay
- 5-ohm switches connect inputs to outputs
- Direct bus connection when switches are ON
- Fast Switching Speed: 5ns (max.)
- V_{CC} Operating Range: 3.0V to 3.6V
- Industrial operating temperature: -40°C to +85°C
- Packages available:
 - 56-pin 240-mil wide thin plastic TSSOP (A)
 - 56-pin 300-mil wide plastic SSOP (V)

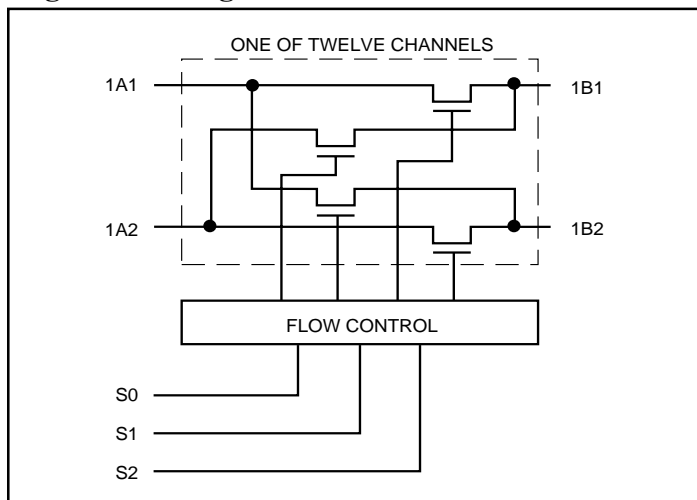
Product Description

Pericom Semiconductor's PI3B series of logic circuits are produced using the Company's advanced submicron CMOS technology.

The PI3B16212 and PI3B162212 are 3.3 volt, 24-bit bus exchange switches designed with low ON resistance allowing inputs to be connected directly to outputs. The devices operate as a 24-bit bus switch or as a 12-bit exchanger, providing data exchange between the four signal ports via the data select pins (S0-S2).

The PI3B162212 device has a built-in 25-ohm series resistor to reduce reflection noise, thus eliminating the need for an external terminating resistor.

Logic Block Diagram



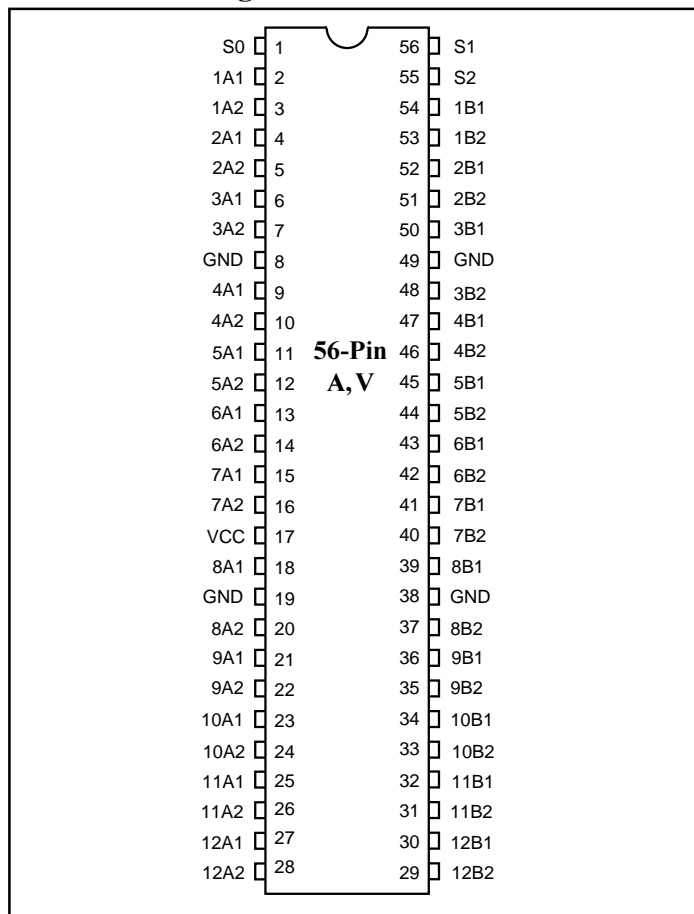
Truth Table

Function	S2	S1	S0	A1	A2
Disconnect	L	L	L	Z	Z
A1 to B1	L	L	H	B1	Z
A1 to B2	L	H	L	B2	Z
A2 to B1	L	H	H	Z	B1
A2 to B2	H	L	L	Z	B2
Disconnect	H	L	H	Z	Z
A1 to B1, A2 to B2	H	H	L	B1	B2
A1 to B2, A2 to B1	H	H	H	B2	B1

Note:

1. H = High Voltage Level
- L = Low Voltage Level
- Z = High Impedance

Product Pin Configuration



Product Pin Description

Pin Name	I/O	Description
S0-S2	I	Select Inputs
xAx	I/O	Bus A
xBx	I/O	Bus B

Maximum Ratings

(Above which useful life may be impaired. For user guidelines, not tested.)

Storage Temperature	-65°C to +150°C
Ambient Temperature with Power Applied	-40°C to +85°C
Supply Voltage Range	-0.5V to +4.6V
DC Input Voltage	-0.5V to +4.6V
DC Output Current	120mA
Power Dissipation	0.5W

Note:

Stresses greater than those listed under MAXIMUM RATINGS may cause permanent damage to the device. This is a stress rating only and functional operation of the device at these or any other conditions above those indicated in the operational sections of this specification is not implied. Exposure to absolute maximum rating conditions for extended periods may affect reliability.

DC Electrical Characteristics (Over the Operating Range, $T_A = -40^\circ\text{C}$ to $+85^\circ\text{C}$, $V_{CC} = 3.0\text{V}$ to 3.6V)

Parameters	Description	Test Conditions ⁽¹⁾	Min.	Typ. ⁽²⁾	Max.	Units	
V_{IH}	Input HIGH Voltage	Guaranteed Logic High Level	2.0			V	
V_{IL}	Input LOW Voltage	Guaranteed Logic Low Level	-0.5		0.8		
I_I	Input Current	$V_{CC} = \text{Max.}, V_{IN} = V_{CC}$ or GND			± 1	μA	
		$V_{CC} = 0, V_{IN} = V_{CC}$			10		
I_{OZH}	High Impedance Output Current	$0 \leq A, B \leq V_{CC}$, Switches Off			± 1		
V_{IK}	Clamp Diode Voltage	$V_{CC} = \text{Min.}, I_{IN} = -18\text{mA}$	-	-0.7	-1.2	V	
R_{ON}	Switch ON Resistance ⁽³⁾	$V_{CC} = \text{Min.}, V_{IN} = 0.0\text{V}, I_{ON} = 64\text{mA}$	16212	-	5	8	Ω
			162212	20	28	40	
		$V_{CC} = \text{Min.}, V_{IN} = 2.4\text{V}, I_{ON} = 15\text{mA}$	16212	-	10	15	
			162212	20	35	48	

Capacitance ($T_A = 25^\circ\text{C}$, $f = 1\text{MHz}$)

Parameters ⁽⁴⁾	Description	Test Conditions	Typ	Units
C_{IN}	Input Capacitance	$V_{IN} = 0\text{V}$	3.0	pF
C_{OFF}	A/B Capacitance, Switch Off		14.0	
C_{ON}	A/B Capacitance, Switch On		30.0	

Notes:

- For Max. or Min. conditions, use appropriate value specified under Electrical Characteristics for the applicable device.
- Typical values are at $V_{CC} = 3.3\text{V}$, $T_A = 25^\circ\text{C}$ ambient and maximum loading.
- Measured by the voltage drop between A and B pin at indicated current through the switch. ON resistance is determined by the lower of the voltages on the two (A,B) pins.
- This parameter is determined by device characterization but is not production tested.

Power Supply Characteristics

Parameters	Description	Test Conditions ⁽¹⁾		Min.	Typ ⁽²⁾	Max.	Units
I _{CC}	Quiescent Power Supply Current	V _{CC} = Max.	V _{IN} = GND or V _{CC}	–	–	10	μA
ΔI _{CC}	Supply Current per Input @ TTL HIGH	V _{CC} = Max.	V _{IN} = 3.0V ⁽³⁾	–	–	750	
I _{CCD}	Supply Current per Input per MHz ⁽⁴⁾	V _{CC} = Max., V _{IN} = 3V, A & B Pins Open Control Input Toggling, 50% Duty Cycle		–	–	0.25	mA/ MHz

Notes:

1. For Max. or Min. conditions, use appropriate value specified under Electrical Characteristics for applicable device.
2. Typical values are at V_{CC}=3.3V, +25°C ambient.
3. This is the increase in supply current for each input that is at the specified TTL voltage level rather than V_{CC} or GND.
4. Per TTL driven input (control inputs only); A and B pins do not contribute to I_{CC}.
5. This current applies to the control inputs only and represent the current required to switch internal capacitance at the specified frequency. The A and B inputs generate no significant AC or DC currents as they transition. This parameter is not tested, but is guaranteed by design.

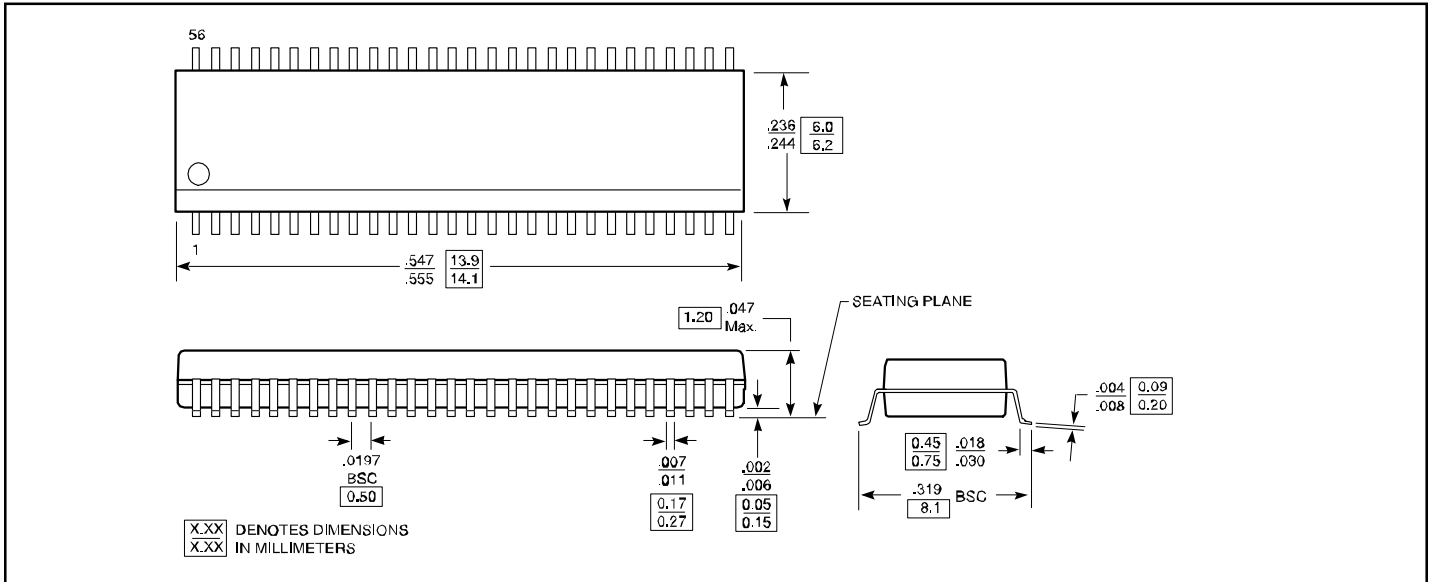
PI3B16212 Switching Characteristics over Operating Range

Parameters	Description	Conditions ⁽¹⁾		PI3B16212		Units
				Com.		
				Max.	Min.	
t _{PLH} t _{PHL}	Propagation Delay ^(2,3) Ax to Bx, Bx to Ax	C _L = 50pF, R _L = 500 ohms	16212	–	0.25	ns
			162212	–	1.25	
t _{PZH} t _{PZL}	Bus Enable Time BE to Ax or Bx	C _L = 50pF, R _L = 500 ohms		1	4.5	
				1	5.0	
t _{PHZ} t _{PLZ}	Bus Disable Time BE to Ax or Bx	R = 500 ohms		1	5.0	
				1	5.0	

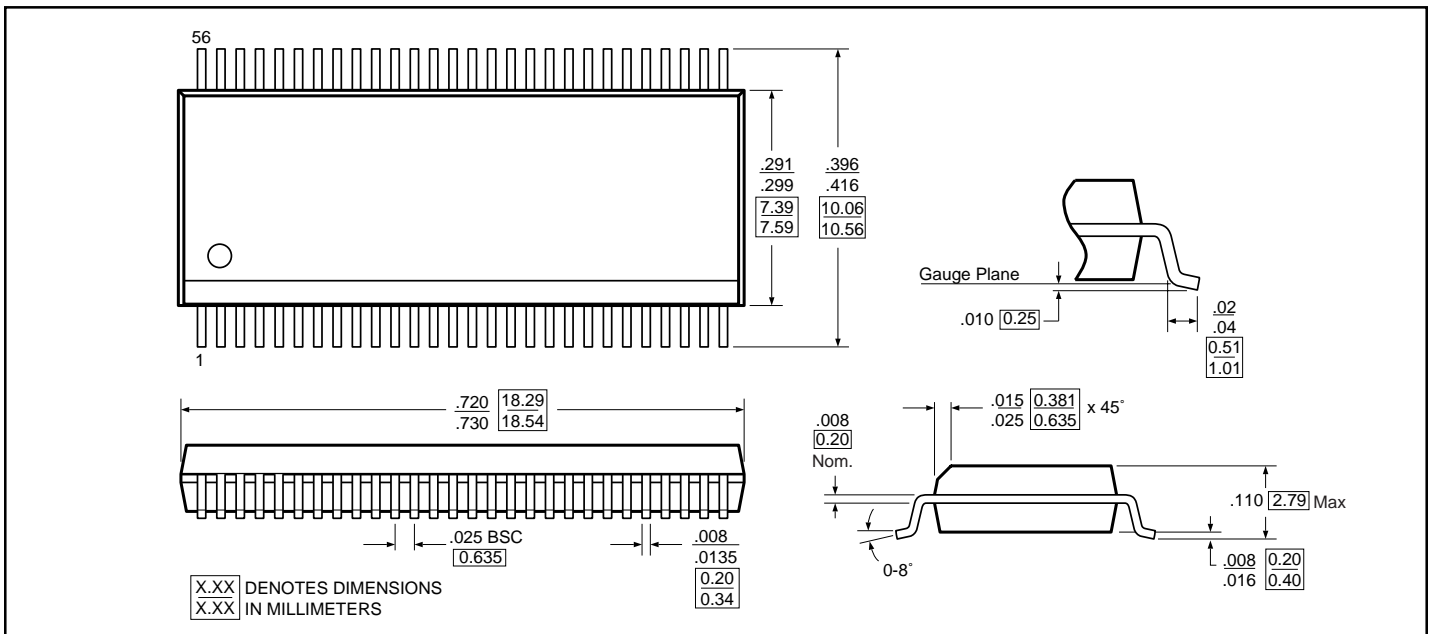
Notes:

1. See test circuit and waveforms.
2. This parameter is guaranteed but not tested on Propagation Delays.
3. The bus switch contributes no propagational delay other than the RC delay of the ON resistance of the switch and the load capacitance. The time constant for the switch alone is of the order of 0.25ns for 50pF load. Since this time constant is much smaller than the rise/fall times of typical driving signals, it adds very little propagational delay to the system. Propagational delay of the bus switch when used in a system is determined by the driving circuit on the driving side of the switch and its interaction with the load on the driven side.

56-Pin TSSOP (A) Package



56-Pin SSOP (V) Package



Ordering Information

Part	Pin	Package	Width	Temperature
PI3B16212A	56	TSSOP	240-mil	-40°C to 85°C
PI3B16212V		SSOP	300-mil	