

**Digital Proximity Sensor with Interrupt Function**

The ISL29021 is an integrated proximity and infrared sensor with a built-in IR LED driver and I<sup>2</sup>C Interface (SMBus Compatible). This device provides infrared sensing to allow proximity estimation featured with interrupt function.

For infrared and proximity sensing, an internal ADC has been designed based on the charge-balancing A/D conversion technique.

The ADC is used to digitize the output signal from the photodiode array when the internal IR LED driver is turned on and off for the programmed time periods under user-selected modulation frequency to drive the external IR LED. As this proximity sensor employs a noise cancellation scheme to highly reject unwanted IR noise, the digital output of proximity sensing decreases with distance. The driver output current is user selectable up to 100mA to drive different types of IR emitters LEDs.

Four different modes of operation can be selected via the I<sup>2</sup>C interface: programmable IR sensing once, programmable proximity sensing once, programmable continuous IR sensing and programmable continuous proximity sensing. The programmable one-time operation modes greatly reduce power because an immediate automatic shutdown reduces overall supply current less than 0.5µA.

The ISL29021 supports both hardware and software interrupts that remain asserted until the host clears it through I<sup>2</sup>C interface for proximity detection.

Designed to operate on supplies from 2.5V to 3.63V, the ISL29021 is specified for operation over the -40°C to +85°C ambient temperature range. It is packaged in a clear, Pb-free 8 Ld ODFN package.

**Ordering Information**

PART NUMBER (Note)	TEMP. RANGE (°C)	PACKAGE (Pb-Free)	PKG. DWG. #
ISL29021IROZ-T7*	-40 to +85	8 Ld ODFN	L8.2.1x2.0
ISL29021IROZ-EVALZ	Evaluation Board		

\*Please refer to TB347 for details on reel specifications.

NOTE: These Intersil Pb-free plastic packaged products employ special Pb-free material sets; molding compounds/die attach materials and NiPdAu plate - e4 termination finish, which is RoHS compliant and compatible with both SnPb and Pb-free soldering operations. Intersil Pb-free products are MSL classified at Pb-free peak reflow temperatures that meet or exceed the Pb-free requirements of IPC/JEDEC J STD-020.

**Features**

**Proximity Sensing**

- Ambient IR Cancellation During Proximity Sensing
  - Works Under Direct Sunlight
- IR LED Driver with Programmable Source Current
  - Adjustable Current Drive from 100mA to 12.5mA
- Programmable LED current Modulation Frequency
- Variable Conversion Resolution up to 16-bits
- Selectable Range (via I<sup>2</sup>C)
- Works Under Various Light Sources, Including Sunlight

**Ideal Spectral Response for Proximity Sensor**

- Proximity sensor range from 850nm to 950nm
  - Can use either 850nm or 950nm LED solution

**Ultra Low Power**

- 90µA Max Operating Current
- Software Shutdown and Automatic Shutdown
  - 0.5µA Max Shutdown Current

**Easy to Use**

- I<sup>2</sup>C (SMBus Compatible) Output
- No Complex Algorithms Needed
- Temperature Compensated
- Small Form Factor
  - 8 Ld 2.0mmx2.1mmx0.7mm ODFN Package

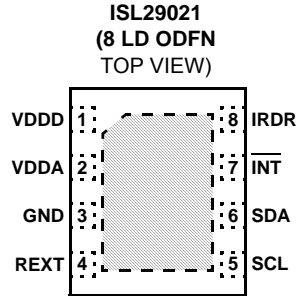
**Additional Features**

- I<sup>2</sup>C and SMBus Compatible
- 1.7V to 3.63V Supply for I<sup>2</sup>C Interface
- 2.25V to 3.63V Sensor Power Supply
- Pb-Free (RoHS compliant)

**Applications**

- Display and Keypad Proximity Sensing for:
  - Mobile Devices: Smart Phone, PDA, GPS
  - Computing Devices: Notebook PC, Webpad
  - Consumer Devices: LCD-TV, Digital Picture Frame, Digital Camera
- Industrial and Medical Proximity Sensing

Pinout

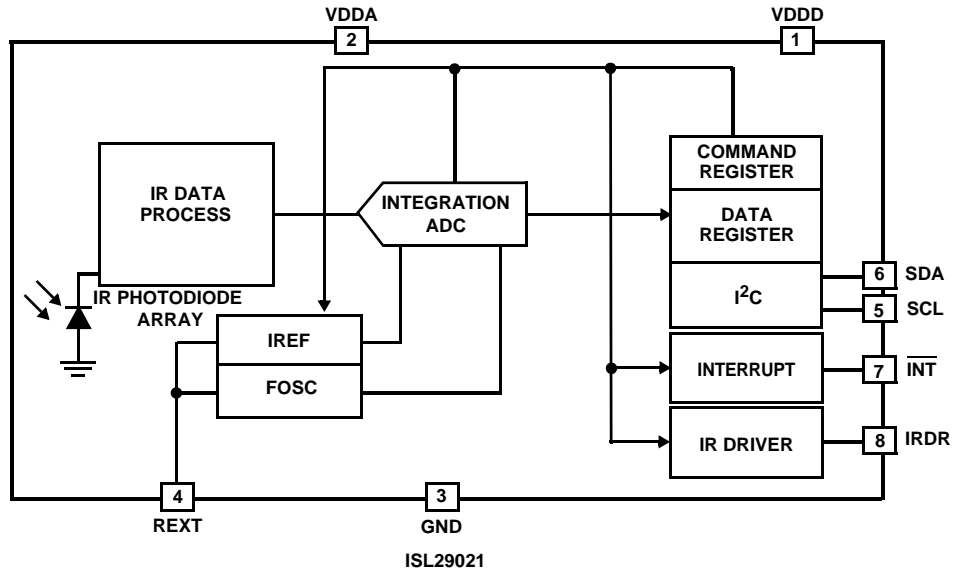


EXPOSED PAD CAN BE CONNECTED TO GND OR ELECTRICALLY ISOLATED

Pin Descriptions

PIN NUMBER	PIN NAME	DESCRIPTION	
1	VDDD	Positive digital supply: 2.5V to 3.63V.	
2	VDDA	Positive analog supply: 2.5V to 3.63V, VDDA and VDDD should be externally shorted.	
3	GND	Ground.	
4	REXT	External resistor pin setting the internal reference current and the conversion time. 499kΩ with 1% tolerance resistor is recommended.	
5	SCL	I <sup>2</sup> C serial clock line	The I <sup>2</sup> C bus lines can be pulled from 1.7V to above V <sub>DD</sub> , 3.63V max.
6	SDA	I <sup>2</sup> C serial data line	
7	INT	Interrupt pin; LO for interrupt/alarming. The INT pin is an open drain.	
8	IRDR	IR LED driver pin connecting to the anode of the external IR LED. The source current of the IR LED driver can be programmed through I <sup>2</sup> C.	
		Exposed pad connected to ground or electrically isolated.	

Block Diagram



**Absolute Maximum Ratings** ( $T_A = +25^\circ\text{C}$ )

$V_{\text{SUP}}(V_{\text{DDD}}, V_{\text{DDA}})$  Supply Voltage between  $V_{\text{DD}}$  and GND . . . . . 4V  
 $V_{\text{DDA}}$  Supply Voltage between  $V_{\text{DDA}}$  and GND . . . . .  $V_{\text{DDD}} \pm 0.5\text{V}$   
 $I^2\text{C}$  Bus (SCL, SDA) and  $\overline{\text{INT}}$  Pin Voltage . . . . . -0.2V to 4V  
 $I^2\text{C}$  Bus (SCL, SDA) and  $\overline{\text{INT}}$  Pin Current . . . . . <10mA  
 $I_{\text{RDR}}$  Pin Voltage . . . . . -0.2V to  $V_{\text{DD}} + 0.5\text{V}$   
 $R_{\text{EXT}}$  Pin Voltage . . . . . -0.2V to  $V_{\text{DD}} + 0.5\text{V}$   
 ESD Rating  
 Human Body Model . . . . . 2kV

**Thermal Information**

Thermal Resistance (Typical, Note 1)  $\theta_{\text{JA}}$  ( $^\circ\text{C}/\text{W}$ )  
 8 Ld ODFN . . . . . 88  
 Maximum Die Temperature . . . . .  $+90^\circ\text{C}$   
 Storage Temperature . . . . .  $-40^\circ\text{C}$  to  $+100^\circ\text{C}$   
 Operating Temperature . . . . .  $-40^\circ\text{C}$  to  $+85^\circ\text{C}$   
 Pb-Free Reflow Profile . . . . . see link below  
<http://www.intersil.com/pbfree/Pb-FreeReflow.asp>

**CAUTION:** Do not operate at or near the maximum ratings listed for extended periods of time. Exposure to such conditions may adversely impact product reliability and result in failures not covered by warranty.

**NOTE:**

- $\theta_{\text{JA}}$  is measured in free air with the component mounted on a high effective thermal conductivity test board with “direct attach” features. See Tech Brief TB379.

**IMPORTANT NOTE:** All parameters having Min/Max specifications are guaranteed. Typical values are for information purposes only. Unless otherwise noted, all tests are at the specified temperature and are pulsed tests, therefore:  $T_J = T_C = T_A$

**Electrical Specifications**  $V_{\text{SUP}}(V_{\text{DDD}}, V_{\text{DDA}}) = 3\text{V}$ ,  $T_A = +25^\circ\text{C}$ ,  $R_{\text{EXT}} = 499\text{k}\Omega$  1% tolerance, 16-bit ADC operation, unless otherwise specified.

PARAMETER	DESCRIPTION	CONDITION	MIN	TYP	MAX	UNIT
$V_{\text{SUP}}$	Power Supply Range for VDDD, VDDA	(Note 2)	2.25		3.63	V
$I_{\text{SUP}}(\text{OFF})$	Supply Current when Powered Down	Software disabled or auto power-down		0.1	0.5	$\mu\text{A}$
$I_{\text{SUP}}(\text{ON})$	Supply Current of IR Sensing			70	90	$\mu\text{A}$
$V_{\text{I}^2\text{C}}$	Supply Voltage Range for $I^2\text{C}$ Interface		1.7		3.63	V
$f_{\text{OSC}}$	Internal Oscillator Frequency		675	750	825	kHz
$t_{\text{int}}$	ADC Integration/Conversion Time	16-bit ADC data		90		ms
$F_{\text{I}^2\text{C}}$	$I^2\text{C}$ Clock Rate Range			1 to 400		kHz
DATA_IR0	Count Output When Dark	$E = 0$ lux		1	6	Counts
DATA_FS	Full Scale ADC Code				65535	Counts
DATA_IR1	Infrared Count Output	$E = 210$ lux, Sunlight (Note 3), IR sensing, Range 1	15000	20000	25000	Counts
DATA_IR2	Infrared Count Output	$E = 210$ lux, Sunlight (Note 3), IR sensing, Range 2		5000		Counts
DATA_IR3	Infrared Count Output	$E = 210$ lux, Sunlight (Note 3), IR sensing, Range 3		1250		Counts
DATA_IR4	Infrared Count Output	$E = 210$ lux, Sunlight (Note 3), IR sensing, Range 4		312		Counts
$V_{\text{REF}}$	Voltage of $R_{\text{EXT}}$ Pin			0.52		V
$V_{\text{IL}}$	SCL and SDA Input Low Voltage				0.55	V
$V_{\text{IH}}$	SCL and SDA Input High Voltage		1.25			V
$I_{\text{SDA}}, I_{\overline{\text{INT}}}$	SDA and $\overline{\text{INT}}$ Current Sinking Capability		4	5		mA
$I_{\text{IRDR1}}$	IRDR Source Current	$I_{\text{S}} < 1:0 > = 0$ (Note 4)		100		mA
$I_{\text{IRDR2}}$	IRDR Source Current	$I_{\text{S}} < 1:0 > = 1$ (Note 4)	44	50	58	mA
$I_{\text{IRDR3}}$	IRDR Source Current	$I_{\text{S}} < 1:0 > = 2$ (Note 4)		25		mA
$I_{\text{IRDR4}}$	IRDR Source Current	$I_{\text{S}} < 1:0 > = 3$ (Note 4)		12.5		mA
$V_{\text{IRLED}}$	Voltage Head Room of IRDR Pin			$V_{\text{DD}} - 0.6$		V
$t_{\text{r}}$	Rise Time for IRDR Source Current	$R_{\text{LOAD}} = 15\Omega$ at IRDR pin, 20% to 80%		35		ns
$t_{\text{f}}$	Fall Time for IRDR Source Current	$R_{\text{LOAD}} = 15\Omega$ at IRDR pin, 80% to 20%		10		ns
$f_{\text{IRLED1}}$	IR LED Modulation Frequency	Freq = 0 (Note 4)		DC		kHz
$f_{\text{IRLED2}}$	IR LED Modulation Frequency	Freq = 1 (Note 4)		360		kHz

**Electrical Specifications**  $V_{SUP}(V_{DDD},V_{DDA}) = 3V$ ,  $T_A = +25^{\circ}C$ ,  $R_{EXT} = 499k\Omega$  1% tolerance, 16-bit ADC operation, unless otherwise specified. **(Continued)**

PARAMETER	DESCRIPTION	CONDITION	MIN	TYP	MAX	UNIT
I <sub>SUP</sub> (IRLED1)	Supply Current of Proximity Sensing	IS<1:0> = 0, Freq = 0 (Note 4)		101		mA
I <sub>SUP</sub> (IRLED2)	Supply Current of Proximity Sensing	IS<1:0> = 0, Freq = 1 (Note 4)		51		mA
Duty Cycle	Duty Cycle of IR LED Modulation			50		%
PROX-IR PROX	Differential ADC Output of IR and Proximity Sensing With Object Far Away to Provide No Reflection	IR and proximity sensing with Range 2; 15 $\Omega$ @ IRDR pin, IS<1:0> = 0, Freq = 0; E = 210 lux, Sunlight.		1.0		%

NOTES:

- $V_{SUP}$  is the common voltage to  $V_{DDD}$  and  $V_{DDA}$ .
- 850nm infrared LED is used in production test. The 850nm LED irradiance is calibrated to produce the same DATA\_IR count against an illuminance level of 210 lux sunlight at sea level.
- See "Register Set" on page 6.

## Principles of Operation

### Photodiodes and ADC

The ISL29021 contains a photodiode array which converts infrared energy into current. The spectral response for IR sensing is shown in Figure 6 in the performance curves section. After IR radiation is converted to current during the infrared signal processing, the current output is converted to digital by a built-in 16-bit Analog-to-Digital Converter (ADC). An I<sup>2</sup>C command reads the infrared light intensity in counts.

The converter is a charge-balancing integration type 16-bit ADC. The chosen method for conversion is best for converting small current signals in the presence of an AC periodic noise. A 100ms integration time, for instance, highly rejects 50Hz and 60Hz power line noise simultaneously. See "Integration and Conversion Time" on page 7.

The built-in ADC offers user flexibility in integration time or conversion time. Integration time is determined by an internal oscillator ( $f_{OSC}$ ), and the n-bit ( $n = 4, 8, 12, 16$ ) counter inside the ADC. A good balancing act of integration time and resolution depending on the application is required for optimal results.

The ADC has I<sup>2</sup>C programmable range select to dynamically accommodate various IR conditions. For very dim conditions, the ADC can be configured at its lowest range (Range 1). For very bright conditions, the ADC can be configured at its highest range (Range 4) in the proximity sensing.

### Low-Power Operation

The ISL29021 initial operation is at the power-down mode after a supply voltage is provided. The data registers contain the default value of 0. When the ISL29021 receives an I<sup>2</sup>C command to do a one-time measurement from an I<sup>2</sup>C master, it will start ADC conversion with proximity sensing. It will go to the power-down mode automatically after one conversion is finished and keep the conversion data available for the master to fetch anytime afterwards. The ISL29021 will continuously

do ADC conversion with proximity sensing if it receives an I<sup>2</sup>C command of continuous measurement. It will continuously update the data registers with the latest conversion data. It will go to the power-down mode after it receives the I<sup>2</sup>C command of power-down.

### Infrared and Proximity Sensing

There are four operational modes in ISL29021: programmable IR sensing once with auto power-down, programmable proximity sensing once with auto power-down, programmable continuous IR sensing and programmable continuous proximity sensing. These four modes can be programmed in series to fulfill the application needs. The detailed program configuration is listed in "Register Set" on page 6.

When the part is programmed for infrared (IR) sensing, the IR light with wavelength within the "IR or Proximity Sensing" spectral response curve on Figure 6 is converted into current. With ADC, the current is converted to an unsigned n-bit (up to 16 bits) digital output.

When the part is programmed for proximity sensing, the external IR LED is turned on by the built-in IR LED driver through the IRDR pin. The amplitude of the IR LED current and the IR LED modulation frequency can be programmed through Command Register II. When the IR from the LED reaches an object and gets reflected back, the reflected IR light with wavelength within the "IR or Proximity Sensing" spectral response curve in Figure 6 is converted into current. With ADC, the current is converted to an unsigned n-bit (up to 16 bits) digital output. The output reading is inversely proportional to the square of the distance between the sensor and the object.

### Interrupt Function

The active low interrupt pin is an open drain pull-down configuration. There is also an interrupt bit in the I<sup>2</sup>C register. The interrupt serves as an alarm or monitoring function to determine whether the infrared light level or the proximity detection level exceeds the upper threshold or goes below the lower threshold. The user can also configure the persistency

of the interrupt. An unexpected camera flash, for example, can be ignored by setting the persistency to 8 integration cycles.

**I<sup>2</sup>C Interface**

There are eight 8-bit registers available inside the ISL29021. The two command registers define the operation of the device. The command registers do not change until the registers are overwritten. The two 8-bit data Read Only registers are for the ADC output and the Timer output. The data registers contain the ADC's latest digital output, or the number of clock cycles in the previous integration period. The four 8-bit interrupt registers hold 16-bit interrupt high and low thresholds.

The ISL29021's I<sup>2</sup>C interface slave address is internally hard-wired as 1000100. When 1000100x with x as R or  $\bar{W}$  is sent after the Start condition, this device compares the first seven bits of this byte to its address and matches.

Figure 1 shows a sample one-byte read. Figure 2 shows a sample one-byte write. The I<sup>2</sup>C bus master always drives the SCL (clock) line, while either the master or the slave can drive the SDA (data) line. Figure 2 shows a sample write. Every I<sup>2</sup>C transaction begins with the master asserting a start condition (SDA falling while SCL remains high). The following byte is driven by the master, and includes the slave address and read/write bit. The receiving device is responsible for pulling SDA low during the acknowledgement period. Every I<sup>2</sup>C transaction ends with the master asserting a stop condition (SDA rising while SCL remains high).

For more information about the I<sup>2</sup>C standard, please consult the Philips™ I<sup>2</sup>C specification documents.

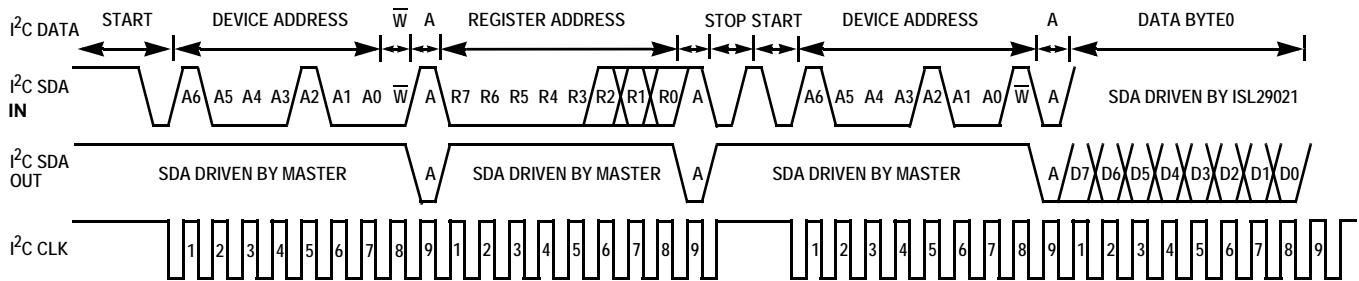


FIGURE 1. I<sup>2</sup>C READ TIMING DIAGRAM SAMPLE

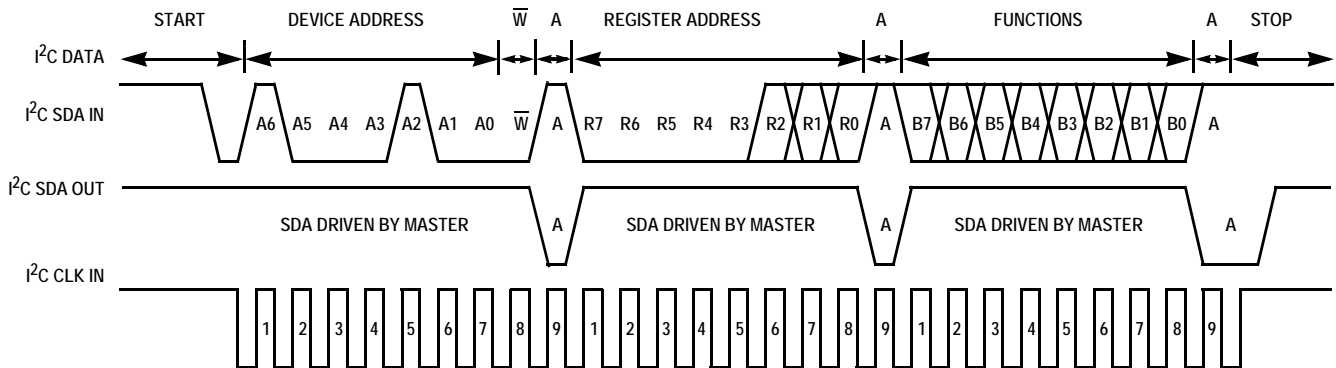


FIGURE 2. I<sup>2</sup>C WRITE TIMING DIAGRAM SAMPLE

## Register Set

There are eight registers that are available in the ISL29021. Table 1 summarizes their functions.

TABLE 1. REGISTER SET

ADDR	REG NAME	BIT								DEFAULT
		7	6	5	4	3	2	1	0	
00h	COMMANDI	OP2	OP1	OP0	0	0	FLAG	PRST1	PRST0	00h
01h	COMMANDII	1	FREQ	IS1	IS0	RES1	RES0	RANGE1	RANGE0	00h
02h	DATA <sub>LSB</sub>	D7	D6	D5	D4	D3	D2	D1	D0	00h
03h	DATA <sub>MSB</sub>	D15	D14	D13	D12	D11	D10	D9	D8	00h
04h	INT_LT_LSB	TL7	TL6	TL5	TL4	TL3	TL2	TL1	TL0	00h
05h	INT_LT_MSB	TL15	TL14	TL13	TL12	TL11	TL10	TL9	TL8	00h
06h	INT_HT_LSB	TH7	TH6	TH5	TH4	TH3	TH2	TH1	TH0	FFh
07h	INT_HT_MSB	TH15	TH14	TH13	TH12	TH11	TH10	TH9	TH8	FFh

### Command Register I 00(hex)

The first command register has the following functions:

1. Operation Mode: Bits 7, 6, and 5. These three bits determines the operation mode of the device.

TABLE 2. OPERATION MODE

BITS 7 TO 5	OPERATION
000	Power-down the device
001	Reserved (Do not use)
010	IR once
011	Proximity once
100	Reserved (Do not use)
101	Reserved (Do not use)
110	IR continuous
111	Proximity continuous

2. Interrupt flag; Bit 2. This is the status bit of the interrupt. The bit is set to logic high when the interrupt thresholds have been triggered, and logic low when not yet triggered. Once triggered, INT pin stays low and the status bit stays high. Both interrupt pin and the status bit are automatically cleared at the end of Command Register I transfer.

TABLE 3. INTERRUPT FLAG

BIT 2	OPERATION
0	Interrupt is cleared or not triggered yet
1	Interrupt is triggered

3. Interrupt persist; Bits 1 and 0. The interrupt pin and the interrupt flag is triggered/set when the data sensor reading is out of the interrupt threshold window after m consecutive number of integration cycles. The interrupt persist bits determine m.

TABLE 4. INTERRUPT PERSIST

BITS 1 TO 0	NUMBER OF INTEGRATION CYCLES
00	1
01	4
10	8
11	16

### Command Register II 01(hex)

The second command register has the following functions:

1. Proximity Sensing Scheme: Bit 7. This bit programs the function of the proximity detection. Logic 1 of this bit, Scheme 1, makes n-1 (3, 7, 11, 15) bits (2's complementary) proximity\_less\_ambient detection. The range of Scheme 1 proximity count is from  $-2^{(n-1)}$  to  $2^{(n-1)}$ , Scheme 1 proximity detection is less affected by the ambient IR noise variation.

TABLE 5. PROXIMITY SENSING SCHEME

BIT 7	OPERATION
0	Reserved
1	Sensing IR from LED with ambient IR rejection

2. Modulation Frequency: Bits 6. This bit sets the IR LED driver's modulation frequency.

TABLE 6. MODULATION FREQUENCY

BITS 6	MODULATION FREQUENCY (kHz)
0	DC
1	360

3. Amplitude of IR driver current: Bits 5 and 4. This device provides current source to drive an external IR LED. The drive capability can be programmed through Bits 5 and 4. For example, the device sources 12.5mA out of the IRDR pin if Bits 5 and 4 are 0.



TABLE 7. CURRENT SOURCE CAPABILITY AT IRDR PIN

BITS 5 TO 4	IRDR PIN SOURCE CURRENT
00	12.5mA IR LED driver
01	25mA IR LED driver
10	50mA IR LED driver
11	100mA IR LED driver

4. Resolution: Bits 3 and 2. Bits 3 and 2 determine the ADC's resolution and the number of clock cycles per conversion in Internal Timing Mode. Changing the number of clock cycles does more than just change the resolution of the device. It also changes the integration time, which is the period the device's analog-to-digital (A/D) converter samples the photodiode current signal for a measurement.

TABLE 8. RESOLUTION/WIDTH

BITS 3 TO 2	NUMBER OF CLOCK CYCLES	n-BIT ADC
00	2 <sup>16</sup> = 65,536	16
01	2 <sup>12</sup> = 4,096	12
10	2 <sup>8</sup> = 256	8
11	2 <sup>4</sup> = 16	4

5. Range: Bits 1 and 0. The Full Scale Range (FSR) can be adjusted via I<sup>2</sup>C using Bits 1 and 0. Table 9 lists the possible values of FSR for the 499kΩ R<sub>EXT</sub> resistor.

TABLE 9. RANGE/FSR

BITS 1:0	k	RANGE(k)	FSR @ IR SENSING
00	1	Range1	Refer to page 3
01	2	Range2	Refer to page 3
10	3	Range3	Refer to page 3
11	4	Range4	Refer to page 3

**Data Registers (02 hex and 03 hex)**

The device has two 8-bit read-only registers to hold the data from LSB to MSB for ADC. The most significant bit (MSB) is accessed at 03 hex, and the least significant bit (LSB) is accessed at 02 hex. For 16-bit resolution, the data is from D0 to D15; for 12-bit resolution, the data is from D0 to D11; for 8-bit resolution, the data is from D0 to D7. The registers are refreshed after every conversion cycle.

TABLE 10. DATA REGISTERS

ADDRESS (hex)	CONTENTS
02	D0 is LSB for 4, 8, 12 or 16-bit resolution, D3 is MSB for 4-bit resolution, D7 is MSB for 8-bit resolution
03	D15 is MSB for 16-bit resolution, D11 is MSB for 12-bit resolution

**Interrupt Registers (04, 05, 06 and 07 hex)**

Registers 04 and 05 hex set the low (LO) threshold for the interrupt pin and the interrupt flag. 04 hex is the LSB and 05 hex is the MSB. By default, the Interrupt threshold LO is 00 hex for both LSB and MSB.

Registers 06 and 07 hex set the high (HI) threshold for the interrupt pin and the interrupt flag. 06 hex is the LSB and 07 hex is the MSB. By default, the Interrupt threshold HI is FF hex for both LSB and MSB.

**Integration and Conversion Time**

The ADC resolution and f<sub>OSC</sub> determines the integration time, t<sub>int</sub>.

$$t_{int} = 2^n \times \frac{1}{f_{OSC}} = 2^n \times \frac{R_{EXT}}{725kHz \times 499k\Omega} \quad (EQ. 1)$$

where n is the number of bits of resolution and n = 4, 8, 12 or 16. 2<sup>n</sup>, therefore, is the number of clock cycles. n can be programmed at the command register 01(hex) bits 3 and 2.

TABLE 11. INTEGRATION TIME OF n-BIT ADC

R <sub>EXT</sub> (kΩ)	n = 16-BIT	n = 12-BIT	n = 8-BIT	n = 4-BIT
250	45ms	2.812ms	175.5µs	10.8µs
499**	90ms	5.63ms	351µs	21.6µs

\*\*Recommended R<sub>EXT</sub> resistor value

**External Scaling Resistor R<sub>EXT</sub> for f<sub>OSC</sub> and Range**

The ISL29021 uses an external resistor R<sub>EXT</sub> to fix its internal oscillator frequency, f<sub>OSC</sub>. Range, f<sub>OSC</sub> and Range are inversely proportional to R<sub>EXT</sub>. For user simplicity, the proportionality constant is referenced to 499kΩ:

$$Range = \frac{499k\Omega}{R_{EXT}} \times Range(k) \quad (EQ. 2)$$

$$f_{OSC} = \frac{499k\Omega}{R_{EXT}} \times 725kHz \quad (EQ. 3)$$

**Noise Rejection**

In general, integrating type ADC's have excellent noise-rejection characteristics for periodic noise sources whose frequency is an integer multiple of the conversion rate. For instance, a 60Hz AC unwanted signal's sum from 0ms to k\*16.66ms (k = 1,2...k<sub>i</sub>) is zero. Similarly, setting the device's integration time to be an integer multiple of the periodic noise signal, greatly improves the proximity sensor output signal in the presence of noise.

**ADC Output in IR Sensing**

The ISL29021's ADC output codes, DATA, are directly proportional to the IR intensity received in the IR sensing.

$$DATA_{IR} = \beta \times E_{IR} \quad (EQ. 4)$$

Here, E<sub>IR</sub> is the received IR intensity. The constant β changes with the spectrum of background IR noise like sunlight and incandescent light. The β also changes with the ADC's range and resolution selections.

**ADC Output in Proximity Sensing**

In the proximity sensing, the ADC output codes, DATA, are directly proportional to the total IR intensity from the

background IR noise and from the IR LED driven by the ISL29021 as shown in Equation 5.

$$\text{DATA}_{\text{PROX}} = \beta \times E_{\text{IR}} + \gamma \times E_{\text{LED}} \quad (\text{EQ. 5})$$

Here,  $\beta$  and  $E_{\text{IR}}$  have the same meanings as in Equation 4. The constant  $\gamma$  depends on the spectrum of the used IR LED and the ADC's range and resolution selections.  $E_{\text{LED}}$  is the IR intensity which is emitted from the IR LED and reflected by a specific object to the ISL29021.  $E_{\text{LED}}$  depends on the current to the IR LED and the surface of the object.  $E_{\text{LED}}$  decreases with the square of the distance between the object and the sensor.

If background IR noise is small,  $E_{\text{IR}}$  can be neglected, and the ADC output directly decreases with the distance. If there is significant background IR noise, ISL29021 is to do a proximity sensing using Scheme 1 to do on-chip background IR noise subtraction.

Figure 9 shows ISL29021 configured at 12-bit ADC resolution and sensitivity range select at 16000 (range 3) for the proximity reading. A 12.5mA external LED current at 360kHz modulation frequency detects three different sensing objects: 92% brightness paper, 18% gray card and ESD black foam. Figure 10 shows ISL29021 configured at 12-bit ADC resolution and sensitivity range select at 1000 (range 1) for the proximity reading, with a programmed external LED at 360kHz modulation frequency, detecting the same sensing object: 18% gray card under four different external LED current: 12.5mA, 25mA, 50mA and 100mA to compare the proximity readout versus distance.

ISL29021 Proximity sensing relies on the amount of IR reflected back from the objects to be detected. Clearly, it can not detect an optically black object that reflects no light. However, ISL29021 is sensitive enough to detect a black ESD foam, which reflects slightly less than 1% of IR, as shown in Figure 9. For biological objects, blonde hair reflects more than brunette hair, as expected and shown in Figure 11. Also notice that skin tissue is much more reflective than hair. IR penetrates into the skin and is reflected or scattered back from within. As a result, the proximity count peaks at contact and monotonically decreases as skin moves away. This characteristic is very different from that of a plain paper reflector.

### Interrupt Function

Depending on the mode of operation set by Bits 7, 6 and 5 of command register 00 hex, the upper and lower interrupt thresholds are for either infrared signal level or proximity detection. After each change of mode of operation, it is expected a new set of thresholds are loaded to interrupt registers 04, 05, 06 and 07 hex for proper interrupt detection. Also, the interrupt persist counter will be reset to 0 when the mode of operation is changed.

### LED Modulation for Proximity Detection

ISL29021 offers two ways to modulate the LED in the Proximity Detection mode - DC or 360kHz (with 50% duty cycle) by bit 6 of register 01h. At the IRDR pin, there are four different IRDR LED currents; 12.5, 25, 50, and 100mA outputs selectable by bits 4 and 5 of register 01h. With the LED running in the DC mode, the proximity detection is twice as sensitive but consumes 2x more current. The sensitivity of LED 50mA, DC 50mA is identical to that of 100mA, 360kHz modulation. Please note that the ISL29021 does not include a LED.

### Current Consumption Estimation

The low power operation is achieved through sequential readout in the serial fashion, as shown in Figure 3, the device requires three different phases in serial during the entire detection cycle to do infrared sensing and proximity sensing. The external IR LED will only be turned on during the proximity sensing phase under user program controlled current at modulated frequency depends on user selections. Figure 3 also shows the current consumption during each IR sensing and Proximity sensing phase. For example, at 8-bit ADC resolution the integration time is 0.4ms. If user programmed 50mA current to supply external IR LED at 360kHz modulated frequency, during the entire operation cycle that includes IR sensing and Proximity sensing three different serial phases, the detection occurs once every 30ms, the average current consumption including external IR LED drive current can be calculated from Equation 6:

$$[(0.05\text{mA} + 0.05\text{mA} + 1\text{mA} + (50\text{mA} * 50\%)) * 0.4\text{ms}] / 30\text{ms} = 0.35\text{mA} \quad (\text{EQ. 6})$$

If at a 12-bit ADC resolution where the integration time for each serial phase becomes 7ms and the total detection time becomes 100ms, the average current can be calculated from Equation 7:

$$[(0.05\text{mA} + 0.05\text{mA} + 1\text{mA} + (50\text{mA} * 50\%)) * 7\text{ms}] / 100\text{ms} = 1.83\text{mA} \quad (\text{EQ. 7})$$

### Suggested PCB Footprint

It is important that the users check the "Surface Mount Assembly Guidelines for Optical Dual FlatPack No Lead (ODFN) Package" before starting ODFN product board mounting.

<http://www.intersil.com/data/tb/TB477.pdf>

### Layout Considerations

The ISL29021 is relatively insensitive to layout. Like other I<sup>2</sup>C devices, it is intended to provide excellent performance even in significantly noisy environments. There are only a few considerations that will ensure best performance.

Route the supply and I<sup>2</sup>C traces as far as possible from all sources of noise. Use two power-supply decoupling capacitors 1 $\mu$ F and 0.1 $\mu$ F, placed close to the device.



**Typical Circuit**

A typical application for the ISL29021 is shown in Figure 4. The ISL29021's I<sup>2</sup>C address is internally hardwired as 1000100. The device can be tied onto a system's I<sup>2</sup>C bus together with other I<sup>2</sup>C compliant devices.

**Soldering Considerations**

Convection heating is recommended for reflow soldering; direct-infrared heating is not recommended. The plastic ODFN package does not require a custom reflow soldering profile, and is qualified to +260°C. A standard reflow soldering profile with a +260°C maximum is recommended.

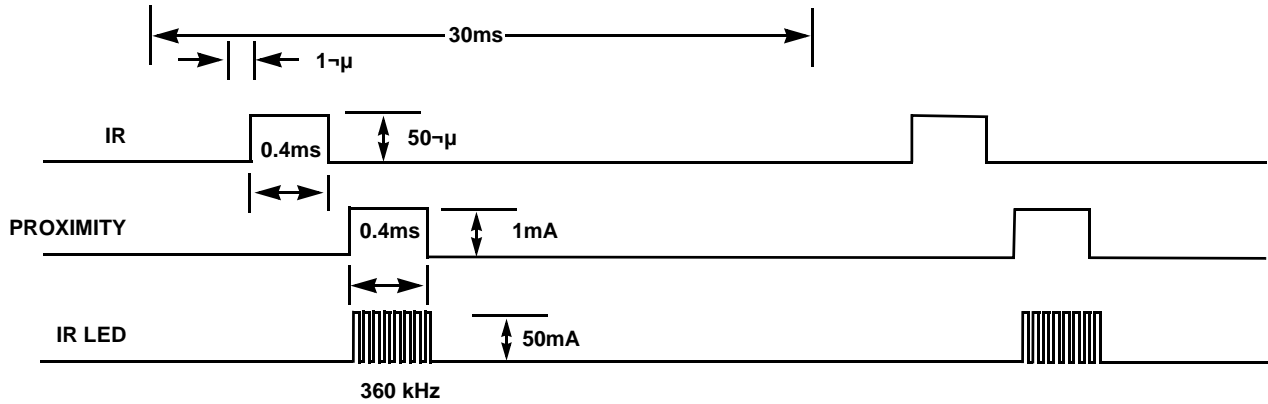


FIGURE 3. CURRENT CONSUMPTION FOR EACH INTEGRATION PHASE AND DETECTION CYCLE

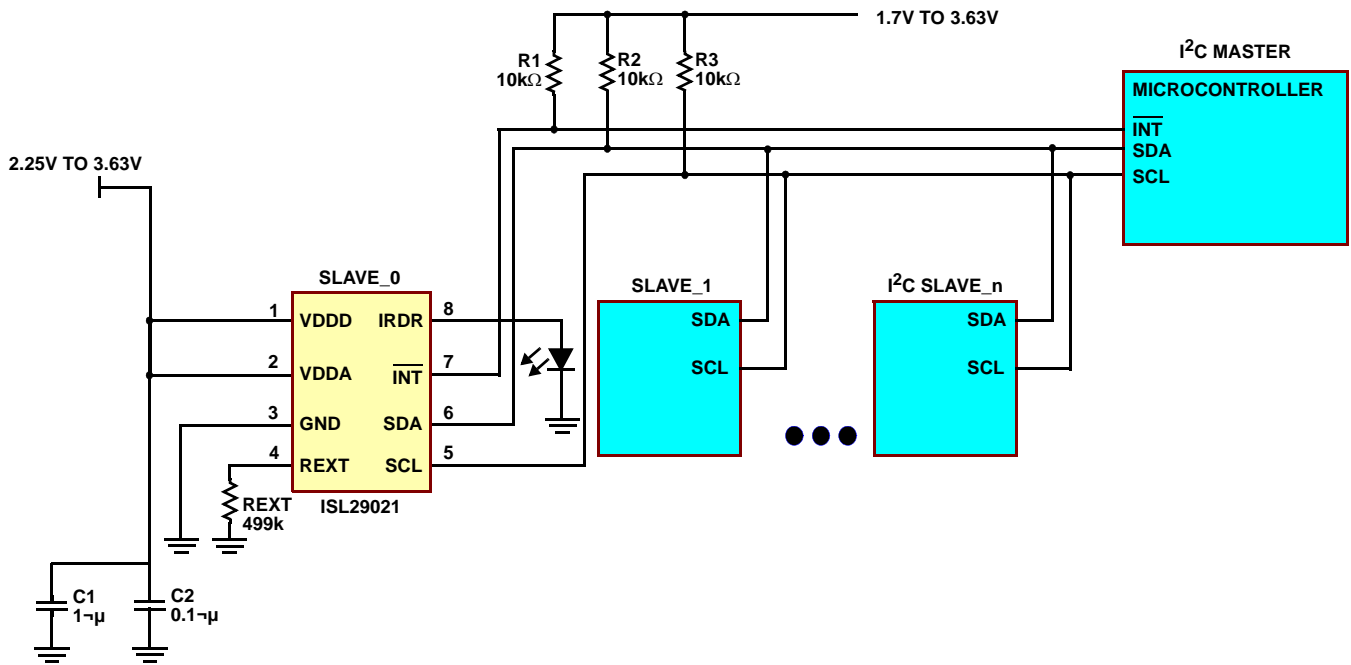


FIGURE 4. ISL29021 TYPICAL CIRCUIT

**Typical Performance Curves**  $V_{SUP} (V_{DD}, V_{DDA}) = 3V, R_{EXT} = 499k\Omega$

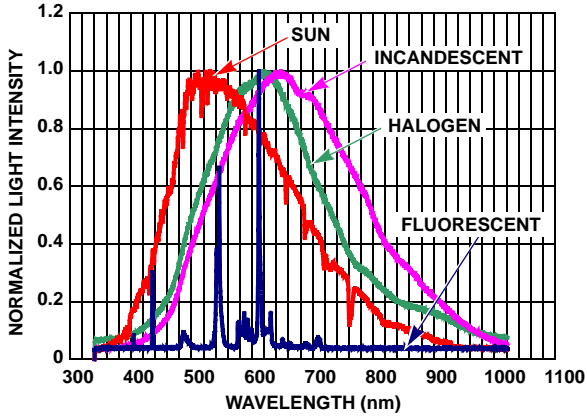


FIGURE 5. SPECTRUM OF FOUR LIGHT SOURCES

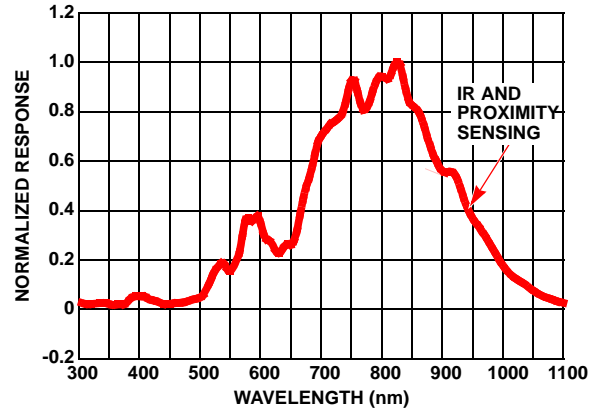


FIGURE 6. SPECTRAL RESPONSE FOR PROXIMITY SENSING

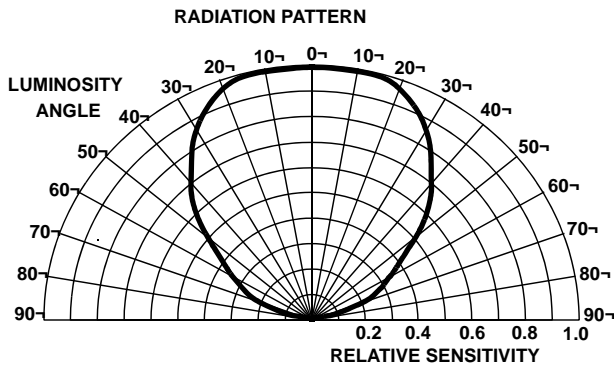


FIGURE 7. RADIATION PATTERN

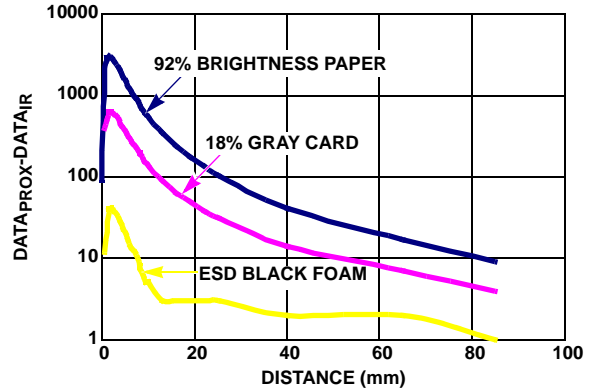


FIGURE 8. ADC OUTPUT vs DISTANCE WITH DIFFERENT OBJECTS IN PROXIMITY SENSING

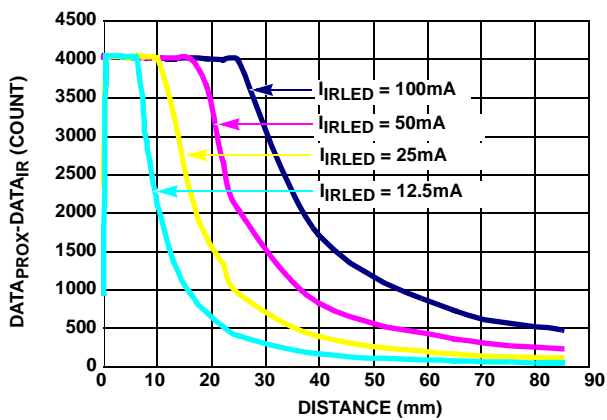


FIGURE 9. ADC OUTPUT vs DISTANCE WITH DIFFERENT LED CURRENT AMPLITUDES IN PROXIMITY SENSING

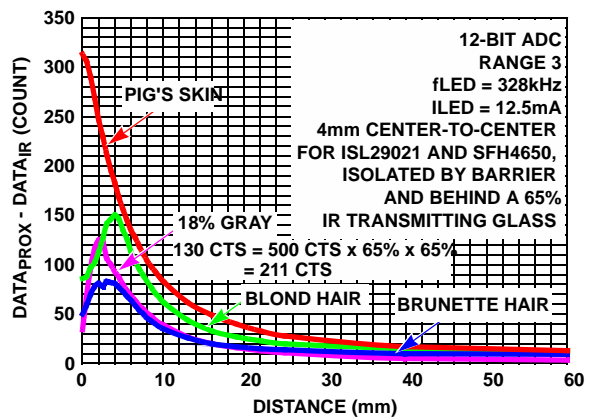


FIGURE 10. PROXIMITY DETECTIONS OF VARIOUS BIOLOGICAL OBJECTS

Typical Performance Curves  $V_{SUP} (V_{DDD}, V_{DDA}) = 3V, R_{EXT} = 499k\Omega$  (Continued)

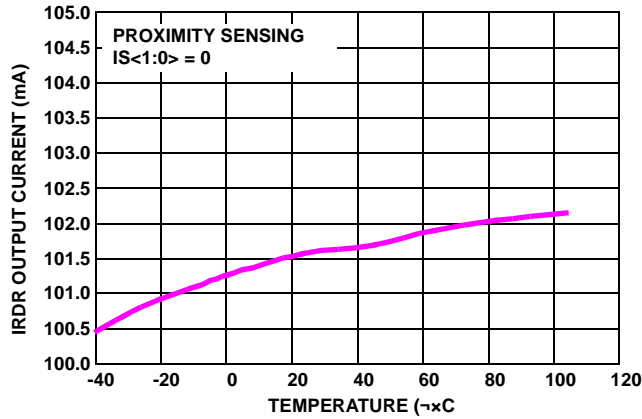


FIGURE 11. OUTPUT CURRENT vs TEMPERATURE IN PROXIMITY SENSING

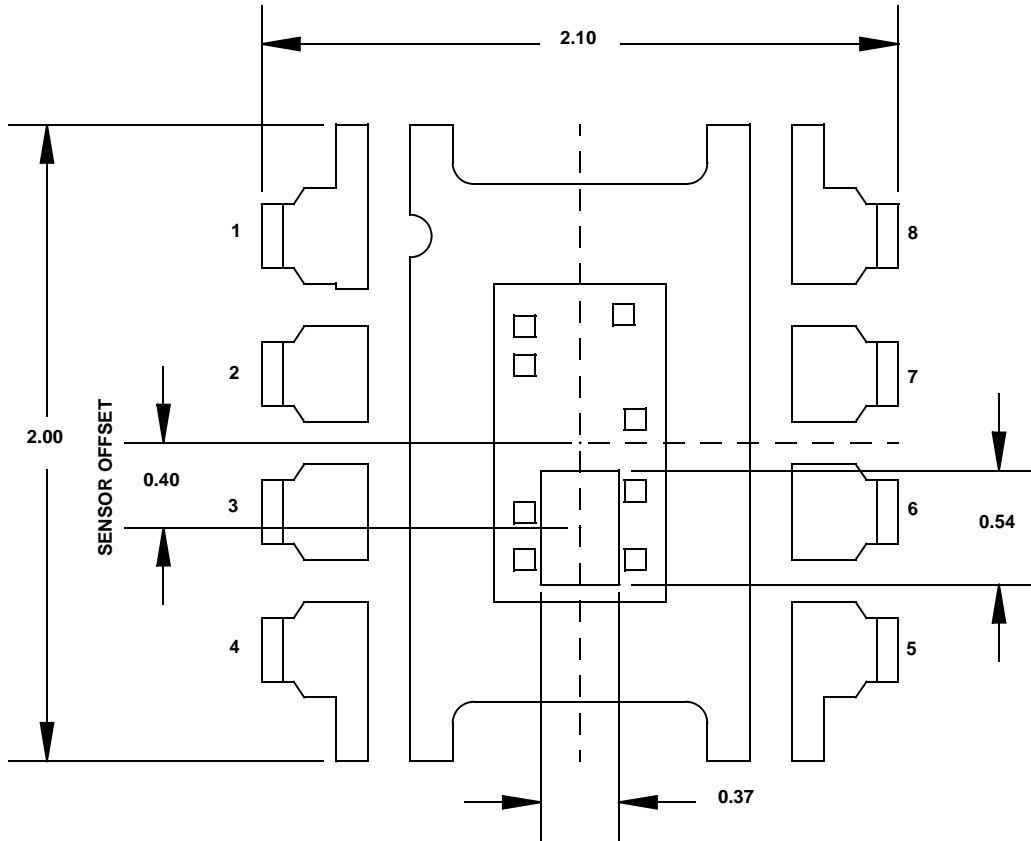


FIGURE 12. 8 LD ODFN SENSOR LOCATION OUTLINE

For additional products, see [www.intersil.com/en/products.html](http://www.intersil.com/en/products.html)

Intersil products are manufactured, assembled and tested utilizing ISO9000 quality systems as noted in the quality certifications found at [www.intersil.com/en/support/qualandreliability.html](http://www.intersil.com/en/support/qualandreliability.html)

Intersil products are sold by description only. Intersil Corporation reserves the right to make changes in circuit design, software and/or specifications at any time without notice. Accordingly, the reader is cautioned to verify that data sheets are current before placing orders. Information furnished by Intersil is believed to be accurate and reliable. However, no responsibility is assumed by Intersil or its subsidiaries for its use; nor for any infringements of patents or other rights of third parties which may result from its use. No license is granted by implication or otherwise under any patent or patent rights of Intersil or its subsidiaries.

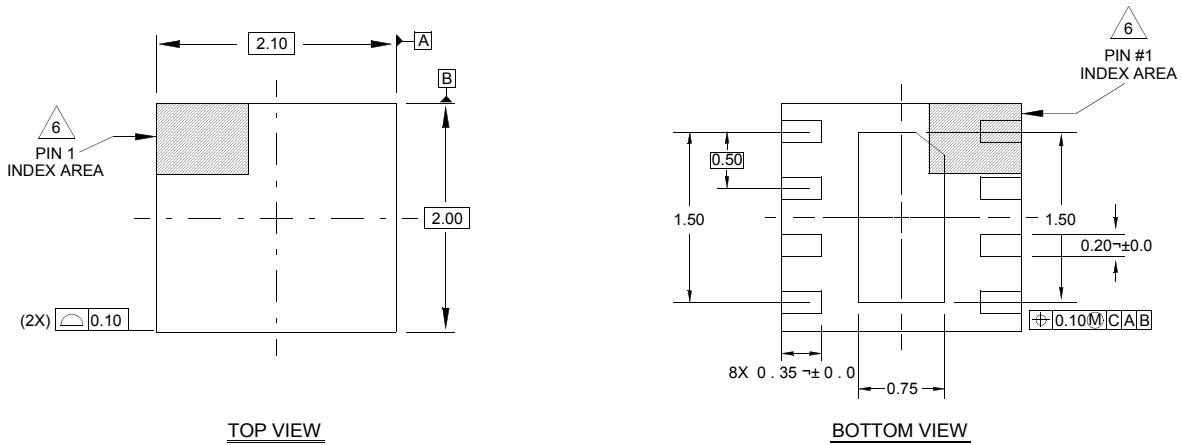
For information regarding Intersil Corporation and its products, see [www.intersil.com](http://www.intersil.com)

# Package Outline Drawing

## L8.2.1x2.0

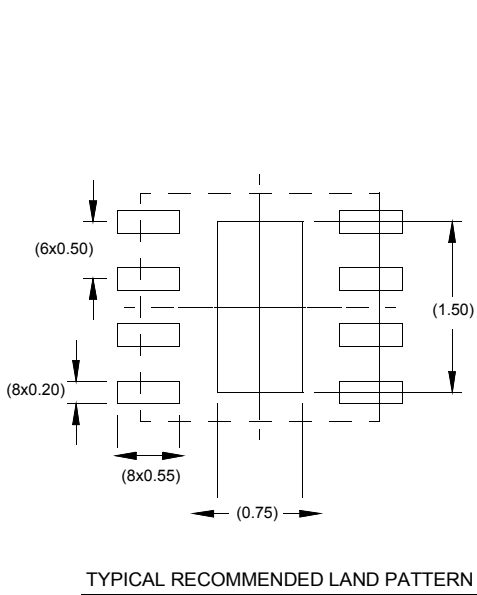
### 8 LEAD OPTICAL DUAL FLAT NO-LEAD PLASTIC PACKAGE (ODFN)

Rev 0, 10/08

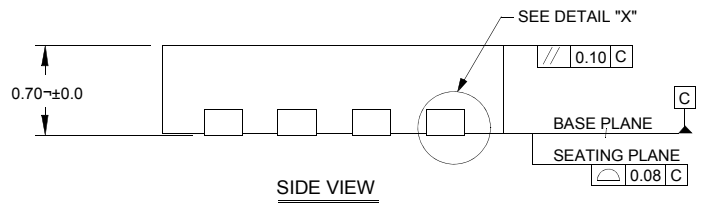


TOP VIEW

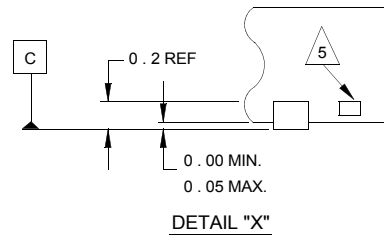
BOTTOM VIEW



TYPICAL RECOMMENDED LAND PATTERN



SIDE VIEW



DETAIL "X"

#### NOTES:

1. Dimensions are in millimeters.  
Dimensions in ( ) for Reference Only.
2. Dimensioning and tolerancing conform to AMSE Y14.5m-1994.
3. Unless otherwise specified, tolerance : Decimal  $\pm 0.0$
4. Dimension b applies to the metallized terminal and is measured between 0.25mm and 0.35mm from the terminal tip.
5. Tiebar shown (if present) is a non-functional feature.
6. The configuration of the pin #1 identifier is optional, but must be located within the zone indicated. The pin #1 identifier may be either a mold or mark feature.

# Mouser Electronics

Authorized Distributor

Click to View Pricing, Inventory, Delivery & Lifecycle Information:

[Intersil:](#)

[ISL29021IROZ-EVALZ](#) [ISL29021IROZ-T7](#)