



### Target Applications

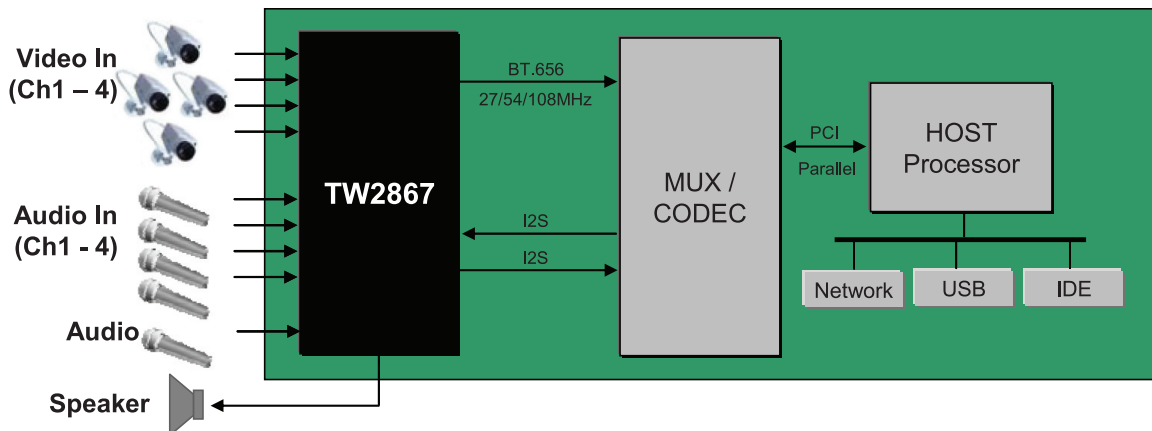
- Embedded DVR
- Video Server
- DVR PCI Card

## TW2867

4-Channel Video Decoder and Audio Codec  
for Security Applications

**\*Pin to pin compatible with TW2866**

The TW2867 is Techwell's advanced 4-in-1 video decoder and audio codec for security surveillance applications. The device includes four high quality NTSC/PAL/SECAM video decoders that convert analog composite video signal to digital component YCbCr data. Each channel contains a 10-bit ADC and proprietary clamp/gain controller and utilizes 4H comb filter for separating luminance and chrominance to reduce cross noise artifacts. The TW2867 adopts image enhancement techniques such as IF compensation filter, CTI, and programmable peaking. The TW2867 also includes an audio codec which has five audio ADCs and one DAC. A built-in audio controller can generate digital outputs for recording/mixing and accepts digital input for playback.



# TW2867

4-Channel Video Decoder and Audio Codec  
for Security Applications

\*Pin to pin compatible with TW2866

## Video Decoder

- Accepts all NTSC(M/4.43) / PAL(B/D/G/H/I/K/L/M/N/60)/SECAM standards with auto detection
- Integrated four video analog anti-aliasing filters and 10-bit ADCs
- High performance adaptive 4H comb filters for all NTSC/PAL standards
- IF compensation filter for improvement of color demodulation
- Color Transient Improvement (CTI) and automatic white peak control
- Programmable hue, saturation, contrast, brightness and sharpness
- Proprietary fast video locking system for non-realtime application
- Supports the standard ITU-R BT.656 format or time multiplexed output with 54/108MHz clock
- Provides simultaneous four channel Full D1 and CIF time-multiplexed outputs with 54MHz clock

## Audio Codec

- Integrated five audio ADCs and one audio DAC
- Provides multi-channel audio mixed analog output
- Supports I2S/DSP Master/Slave interface for record output and playback input
- PCM 8/16 bit and u-Law/A-Law 8bit for audio word length
- Programmable audio sample rate that covers popular frequencies of 8/16/32/44.1/48kHz

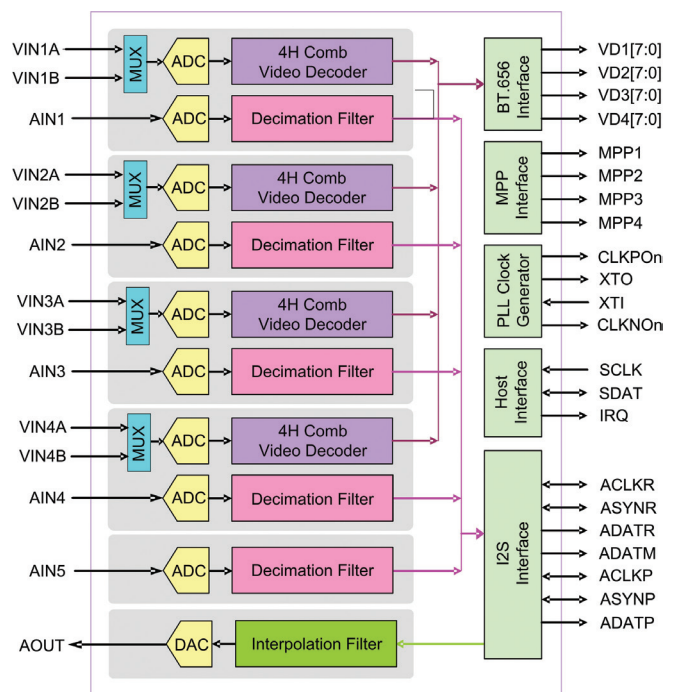
## Other Features

- 2x/4x analog clock PLL for 108MHz clock output
- Supports a two-wire serial host interface
- 1.2V, 3.3V Supply
- Low power consumption

## Order Information

- Part Number: TW2867
- Package: 128-pin LQFP

## TW2867 Block Diagram



© 2010 Intersil Americas Inc. All Rights Reserved. The following are trademarks or registered trademarks of Intersil Americas Inc.: Intersil, Intersil logo, "i" and Design. All other trademarks are the property of the respective trademark owners.