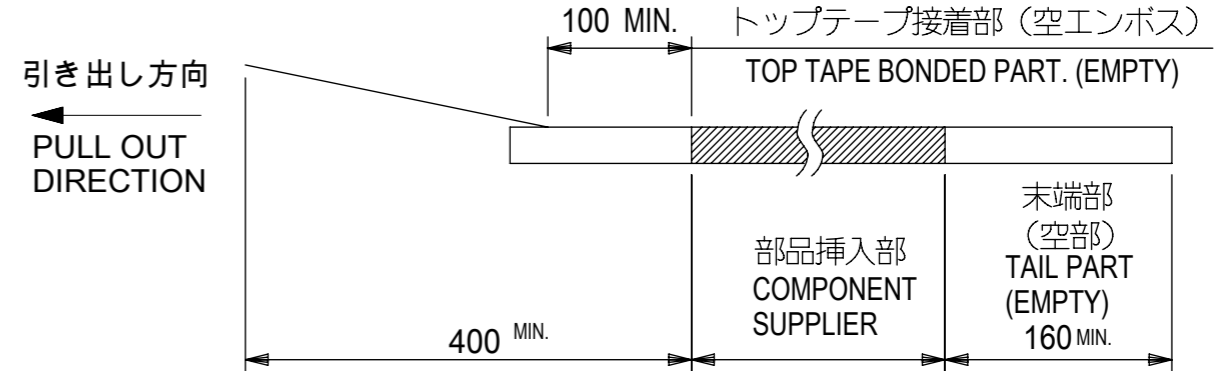
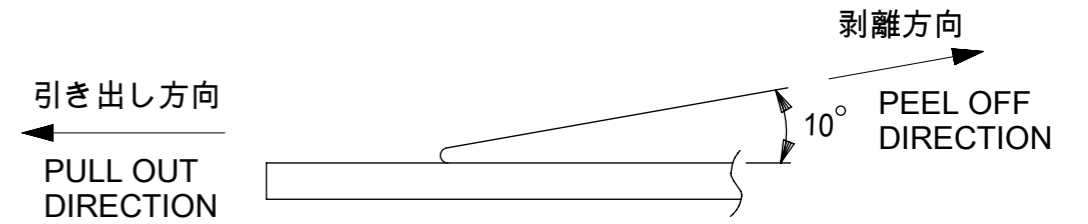


NOTES

- 製品詳細寸法は製品単体図面を参照して下さい。  
FOR DETAIL OF CONNECTOR DIMENSIONS, PLEASE SEE THE DRAWING OF CONNECTOR ITSELF (NOT PACKAGED).
- 梱包数量 : 3000個 / リール  
NUMBER OF CONNECTORS : 3000PCS/REEL
- リードテープ長さ LEAD TAPE LENGTH

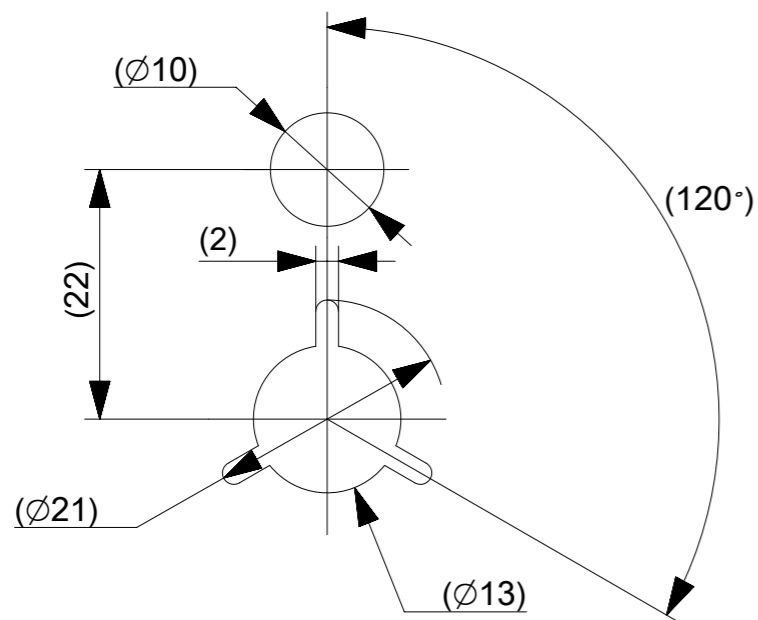
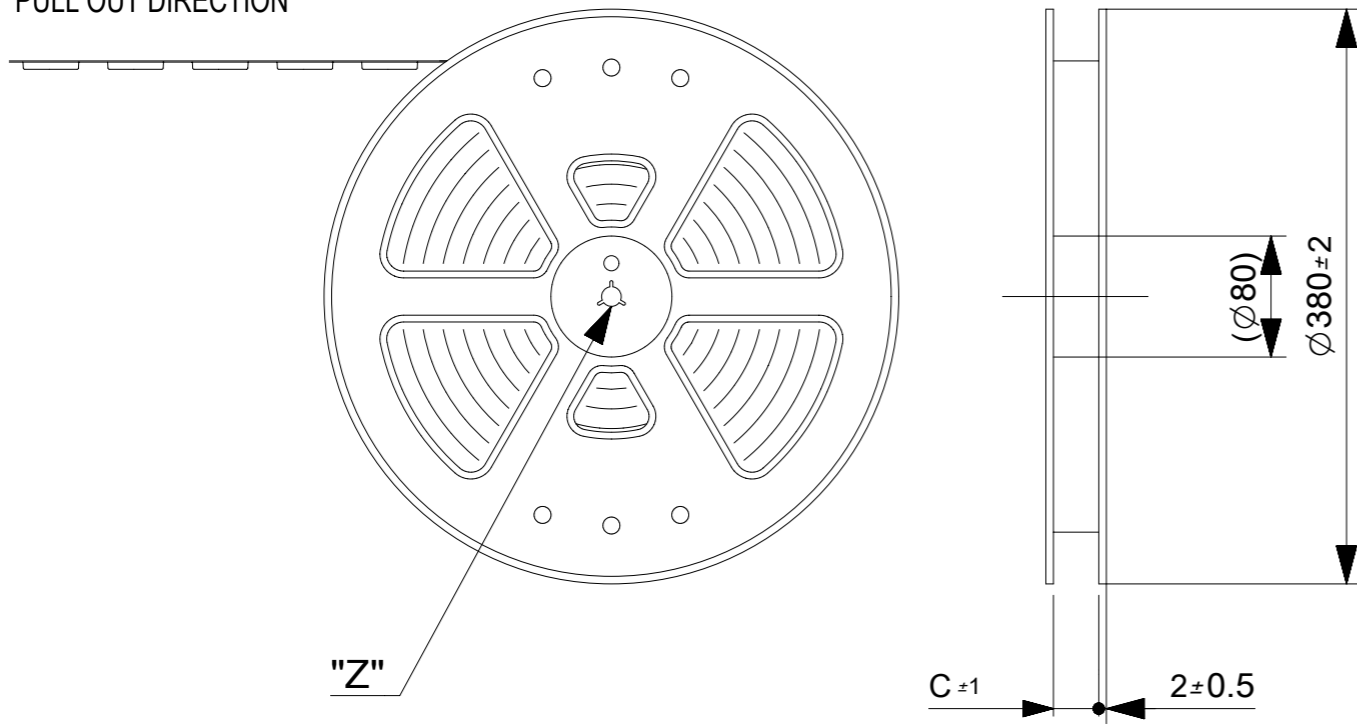


- トップテープの剥離強度 : 60±35gf (0.25N ~ 0.93N) (剥離方向は下図参照) 尚、本規格は出荷時に適用。(但し、輸送時に剥離が発生しないこと。)  
PEELING OFF FORCE OF TOP TAPE : 60gf±35gf (0.25N ~ 0.93N) (PEELING DIRECTION AS SHOWN IN FOLLOWING FIG,) THIS REQUIREMENT SHOULD BE APPLIED AT SHIPMENT. PEEL OFF SHOULD NOT BE ALLOWED, DURING TRANSPORTATION.



- 材料(MATERIAL)  
キャリアテープ(CARRIER TAPE) : ポリスチレン(POLYSTYREN)  
トップテープ(TOP TAPE) : PET, PE, PEF  
リール(REEL) : ポリスチレン(PS) <リサイクル材を含む>  
POLYSTYREN(PS) <RECYCLE MATERIAL CONTAINED>
- C寸法は SHEET 2~4を参照下さい。  
SEE SHEET 2~4(DIMENSION C).
- ELV AND RoHS COMPLIANT.

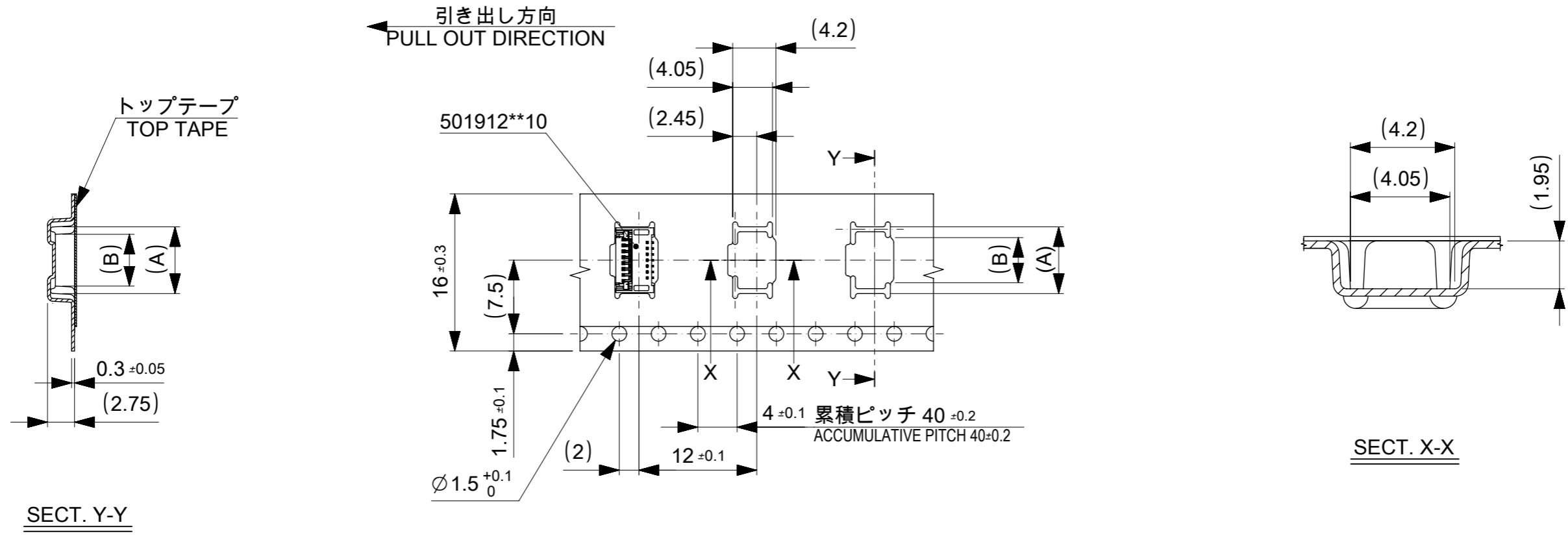
引き出し方向  
PULL OUT DIRECTION



DETAIL "Z"

501912\*\*90 MODEL NO.

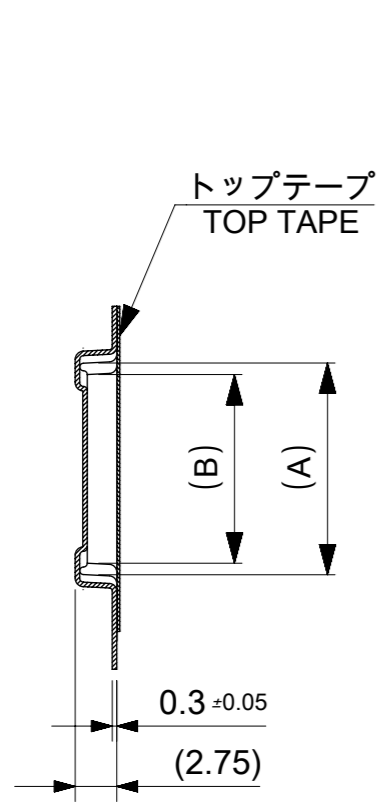
THIS DRAWING CONTAINS INFORMATION THAT IS PROPRIETARY TO MOLEX ELECTRONIC TECHNOLOGIES, LLC AND SHOULD NOT BE USED WITHOUT WRITTEN PERMISSION											
RELEASED	EC NO: 101883	DRWN: SHIRATA	CHK'D: YNOGAWA	APPR: YNOGAWA	2015/11/24	2016/01/05	2016/01/05	GENERAL TOLERANCES (UNLESS SPECIFIED)		DIMENSION UNITS	SCALE
	ANGULAR TOL ± 3.0 °				4 PLACES ± 0.2		3 PLACES ± 0.2		mm		NTS
	2 PLACES ± 0.2				1 PLACE ± 0.2		0 PLACES ± 0.2		DRWN BY		DATE
	DRAFT WHERE APPLICABLE MUST REMAIN WITHIN DIMENSIONS				SHIRATA		2015/11/24		CHK'D BY		DATE
	A				HIIJIMA		2016/01/05		APPR BY		DATE
A3		THIRD ANGLE PROJECTION		YNOGAWA		2016/01/05		DRAWING SIZE		PRODUCT CUSTOMER DRAWING	
501912		SEE TABLE		CUSTOMER		SERIES		MATERIAL NUMBER		CUSTOMER	
5019120000		PSD		000		1 OF 4		DOCUMENT NUMBER		DOC TYPE	



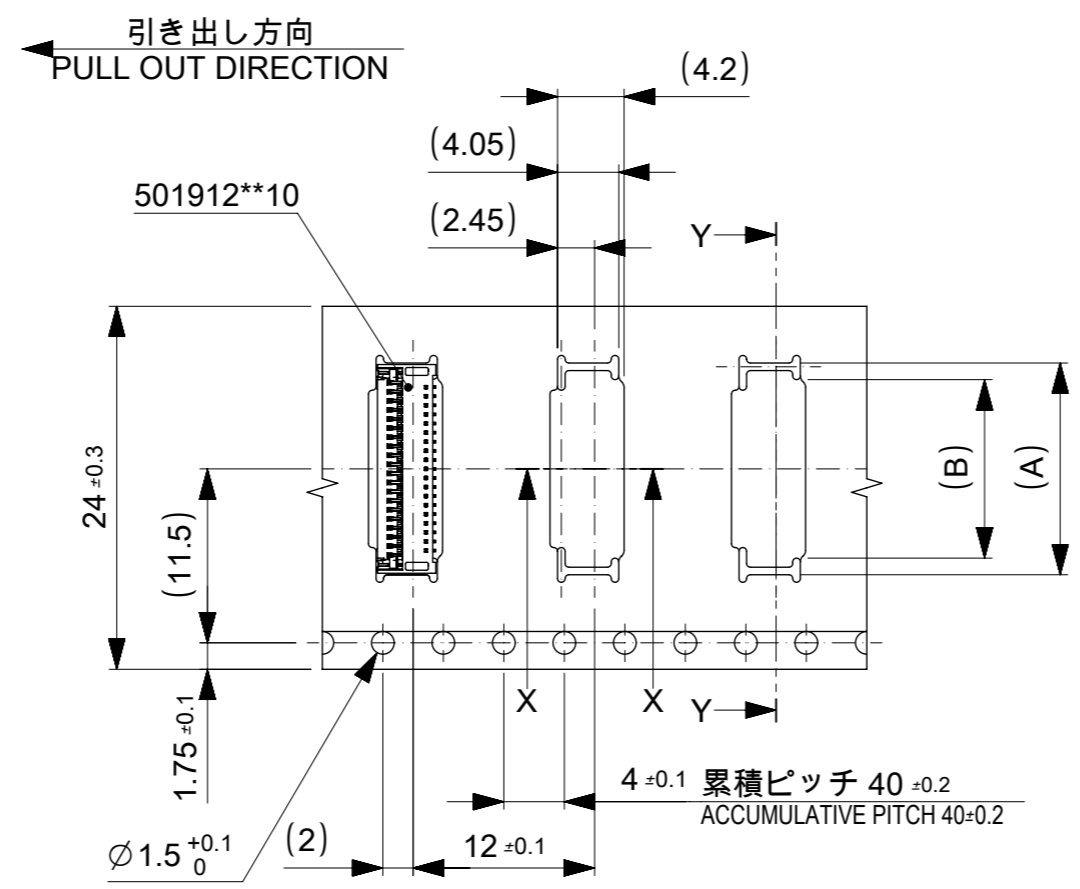
16mm幅キャリアテープ  
16mm WIDTH CARRIER TAPE

16	17.5	4.6	6.8	5019121590	15
キャリアテープ幅 CARRIER TAPE WIDTH	C	(B)	(A)	オーダー番号 ORDER NO.	極数 Ckt
501912**90				MODEL NO.	

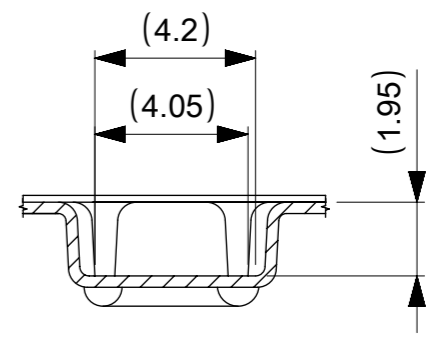
THIS DRAWING CONTAINS INFORMATION THAT IS PROPRIETARY TO MOLEX ELECTRONIC TECHNOLOGIES, LLC AND SHOULD NOT BE USED WITHOUT WRITTEN PERMISSION									
RELEASED	EC NO: 101883	GENERAL TOLERANCES (UNLESS SPECIFIED)		DIMENSION UNITS	SCALE	<b>molex</b>			
	DRWN: SHIRATA	ANGULAR TOL ± 3.0 °		mm	NTS				
	CHK'D: YNOGAWA	4 PLACES ± 0.2		DRWN BY	DATE				
	APPR: YNOGAWA	3 PLACES ± 0.2		SHIRATA	2015/11/24	EMBSTP PKG FOR 0.3 FPC CONN (HGT=1.8MM) GOLD PLATING			
		2 PLACES ± 0.2		CHK'D BY	DATE				
	1 PLACE ± 0.2		HIIJIMA		PRODUCT CUSTOMER DRAWING				
	0 PLACES ± 0.2		APPR BY	DATE	SERIES	MATERIAL NUMBER	CUSTOMER		
	DRAFT WHERE APPLICABLE MUST REMAIN WITHIN DIMENSIONS		YNOGAWA	2016/01/05	501912	SEE TABLE			
A	REV	DRAFT WHERE APPLICABLE MUST REMAIN WITHIN DIMENSIONS		DRAWING SIZE	THIRD ANGLE PROJECTION	DOCUMENT NUMBER	DOC TYPE	DOC PART	SHEET NUMBER
				A3		5019120000	PSD	000	2 OF 4



SECT. Y-Y



24mm幅キャリアテープ  
24mm WIDTH CARRIER TAPE

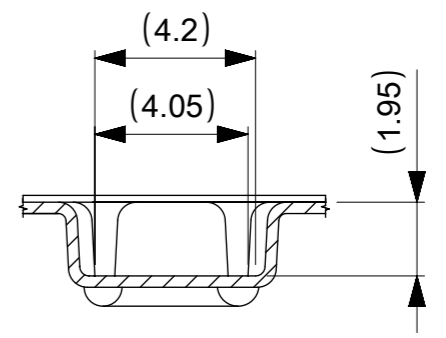
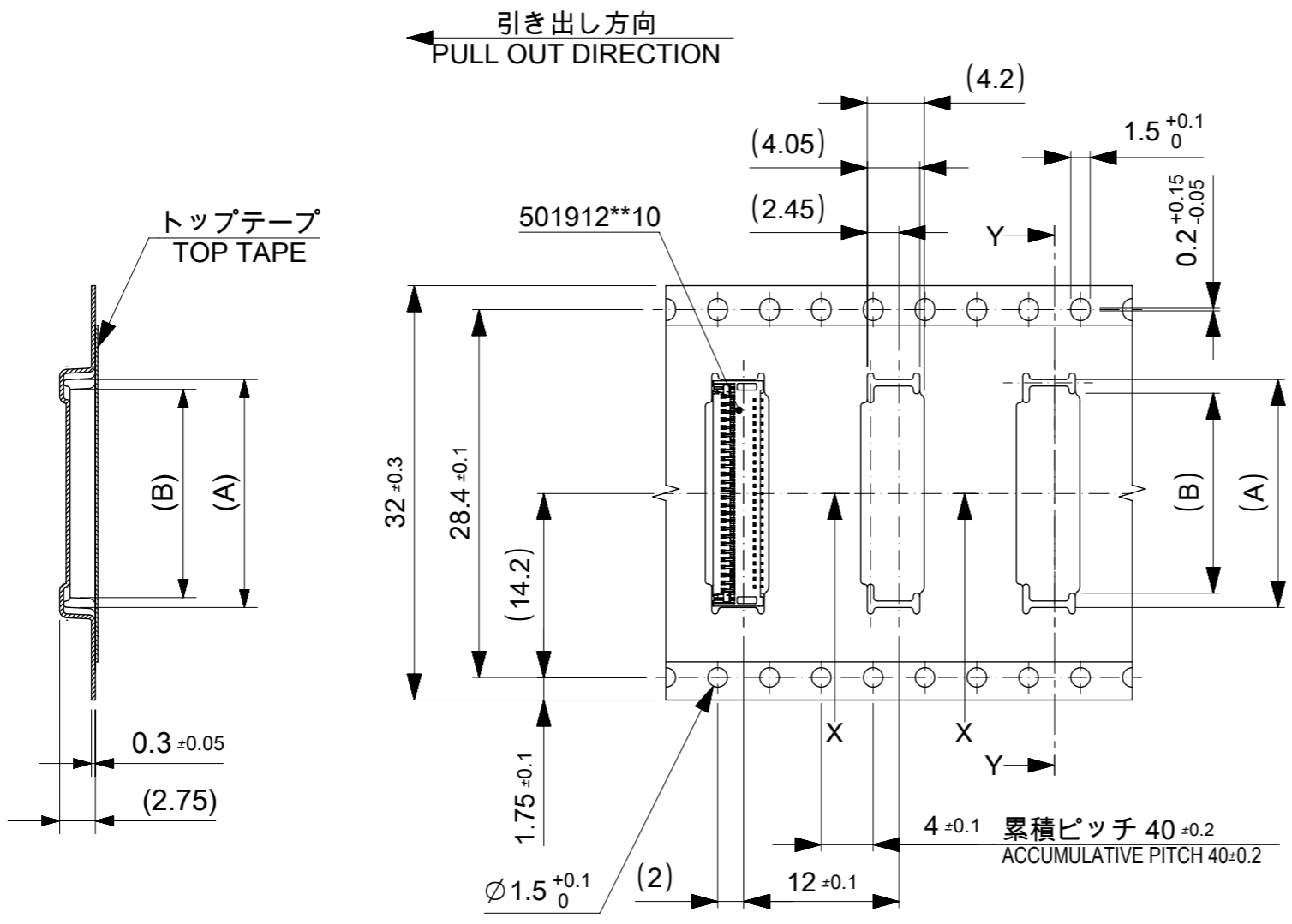


SECT. X-X

24	25.5	12.4	14.6	5019124190	41	
		11.8	14.0	5019123990	39	
		11.2	13.4	5019123790	37	
		10.6	12.8	5019123590	35	
		10.0	12.2	5019123390	33	
		8.2	10.4	5019122790	27	
		7.6	9.8	5019122590	25	
		7.0	9.2	5019122390	23	
		6.4	8.6	5019122190	21	
キャリアテープ幅 CARRIER TAPE WIDTH		C	(B)	(A)	オーダー番号 ORDER NO.	極数 Ckt
501912**90				MODEL NO.		

THIS DRAWING CONTAINS INFORMATION THAT IS PROPRIETARY TO MOLEX ELECTRONIC TECHNOLOGIES, LLC AND SHOULD NOT BE USED WITHOUT WRITTEN PERMISSION

EC NO: 101883 DRWN: SHIRATA CHK'D: YNOGAWA APPR: YNOGAWA	2015/11/24	GENERAL TOLERANCES (UNLESS SPECIFIED)		DIMENSION UNITS	SCALE					
	2016/01/05	ANGULAR TOL ± 3.0 °		mm	NTS					
	REV	PLACES	TOLERANCE	DRWN BY	DATE	EMBSTP PKG FOR 0.3 FPC CONN (HGT=1.8MM) GOLD PLATING				
	A	4	± 0.2	SHIRATA	2015/11/24					
		3	± 0.2	CHK'D BY	DATE	PRODUCT CUSTOMER DRAWING				
	2	± 0.2	HIIJIMA							
	1	± 0.2	APPR BY	DATE	SERIES	MATERIAL NUMBER	CUSTOMER			
	0	± 0.2	YNOGAWA	2016/01/05	501912	SEE TABLE				
DRAFT WHERE APPLICABLE MUST REMAIN WITHIN DIMENSIONS		DRAWING SIZE	THIRD ANGLE PROJECTION	DOCUMENT NUMBER: 5019120000    DOC TYPE: PSD    DOC PART: 000    SHEET NUMBER: 3 OF 4						
		A3								



SECT. Y-Y

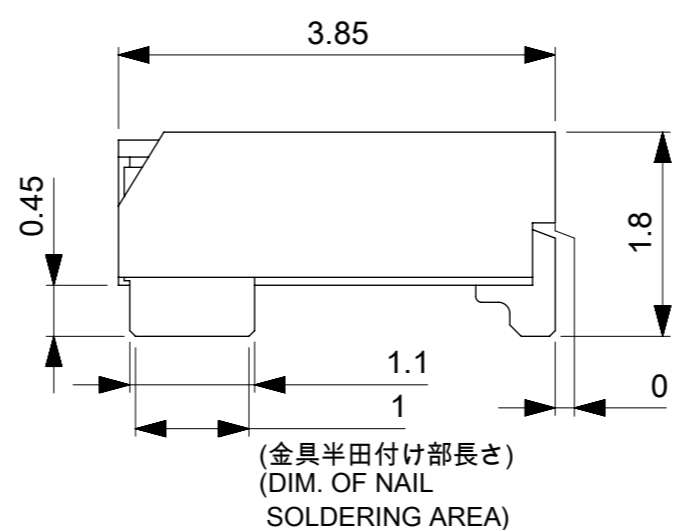
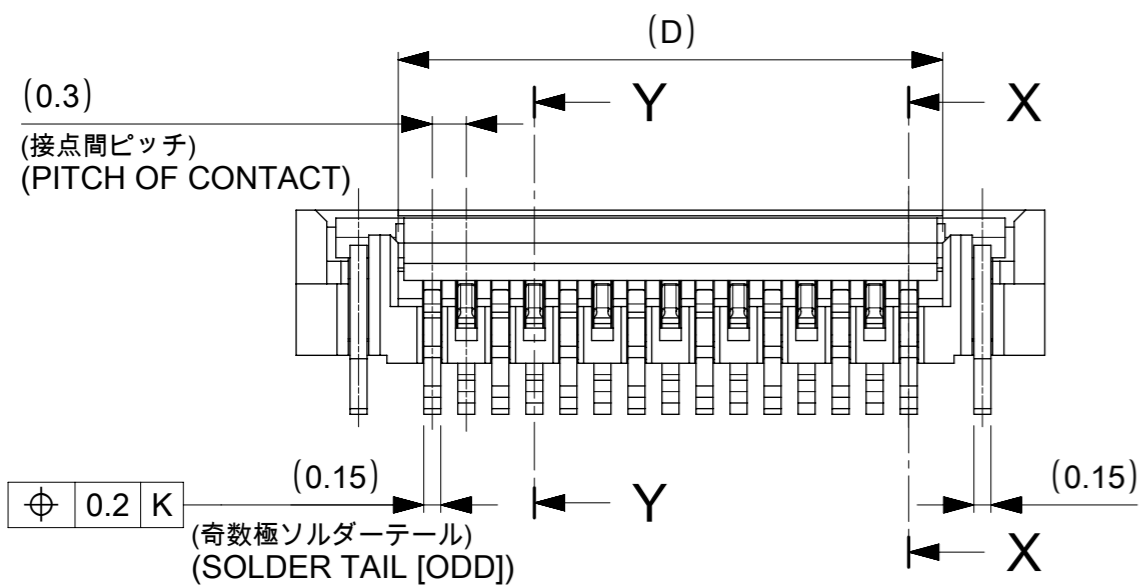
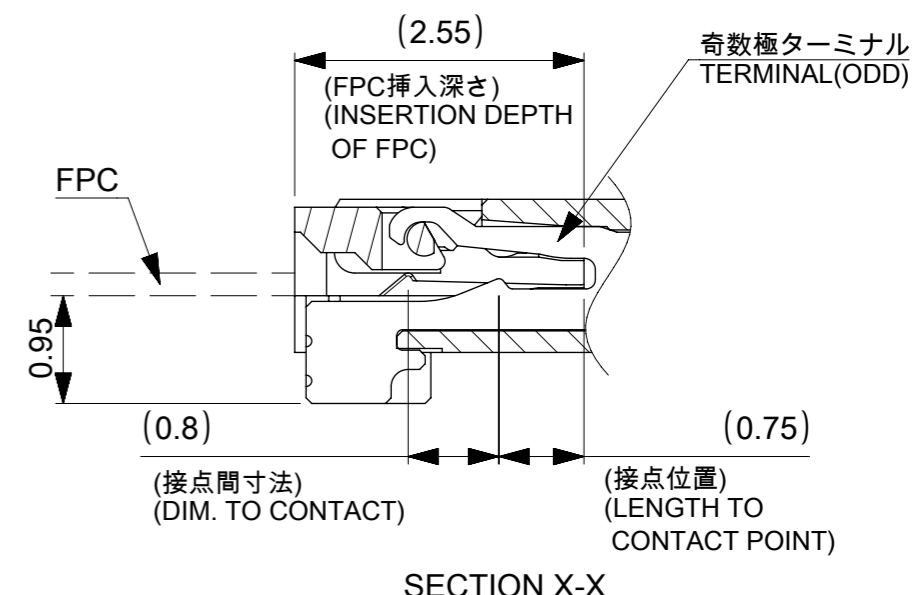
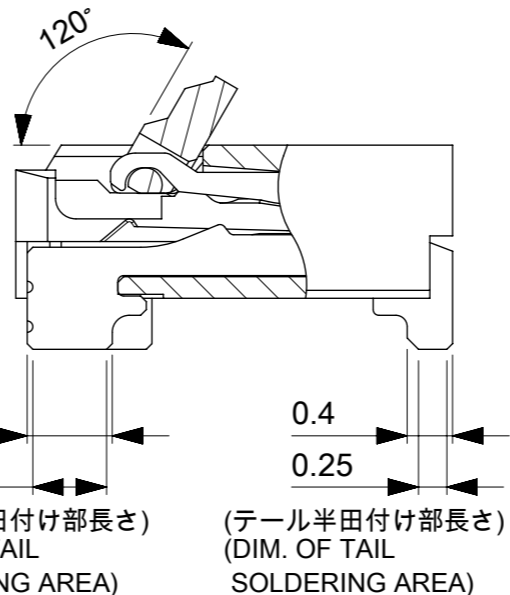
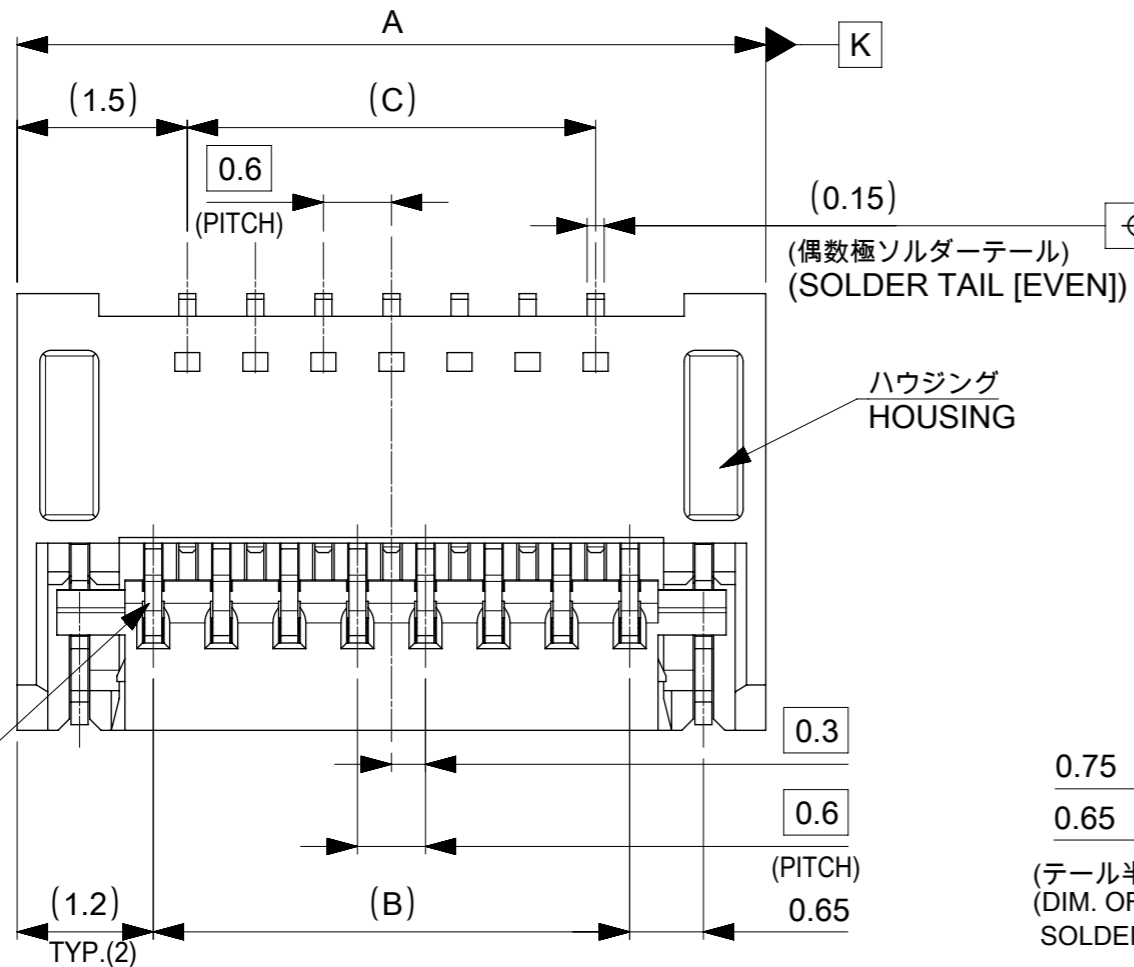
32mm幅キャリアテープ  
32mm WIDTH CARRIER TAPE

32	33.5	15.4	17.6	5019125190	51
		14.2	16.4	5019124790	47
		13.6	15.8	5019124590	45
キャリアテープ幅 CARRIER TAPE WIDTH	C	(B)	(A)	オーダー番号 ORDER NO.	極数 Ckt
501912**90				MODEL NO.	

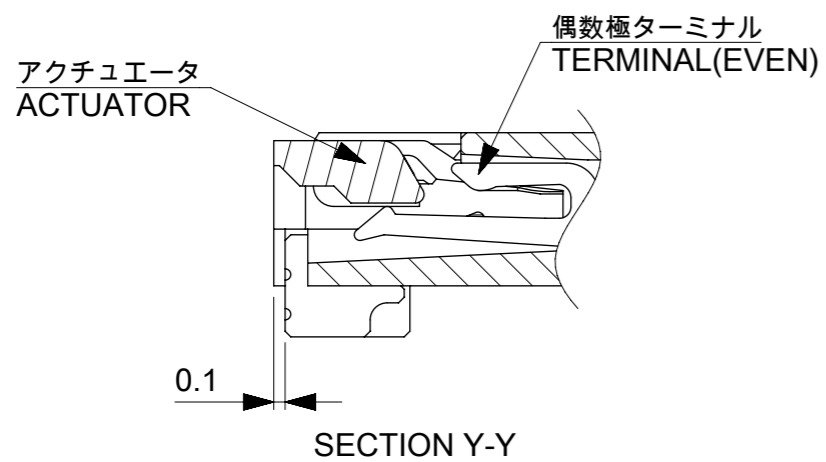
THIS DRAWING CONTAINS INFORMATION THAT IS PROPRIETARY TO MOLEX ELECTRONIC TECHNOLOGIES, LLC AND SHOULD NOT BE USED WITHOUT WRITTEN PERMISSION

EC NO: 101883 DRWN: SHIRATA CHK'D: YNOGAWA APPR: YNOGAWA REV: A	2015/11/24 2016/01/05 2016/01/05	GENERAL TOLERANCES (UNLESS SPECIFIED) ANGULAR TOL ± 3.0 ° 4 PLACES ± 0.2 3 PLACES ± 0.2 2 PLACES ± 0.2 1 PLACE ± 0.2 0 PLACES ± 0.2	DIMENSION UNITS: mm SCALE: NTS	<p>EMBSTP PKG FOR 0.3 FPC CONN (HGT=1.8MM) GOLD PLATING</p> <p>PRODUCT CUSTOMER DRAWING</p> <p>SERIES: 501912 MATERIAL NUMBER: SEE TABLE CUSTOMER: SEE TABLE</p> <p>DOCUMENT NUMBER: 5019120000 DOC TYPE: PSD DOC PART: 000 SHEET NUMBER: 4 OF 4</p>	
	DRWN BY: SHIRATA	DATE: 2015/11/24	CHK'D BY: HIIJIMA		DATE: 2016/01/05
	DRAFT WHERE APPLICABLE MUST REMAIN WITHIN DIMENSIONS		DRAWING SIZE: A3		THIRD ANGLE PROJECTION
	RELEASED				
	RELEASE STATUS: P1		RELEASE DATE: 2016/01/05 07:59:50		

回路番号1  
CIRCUIT No.1

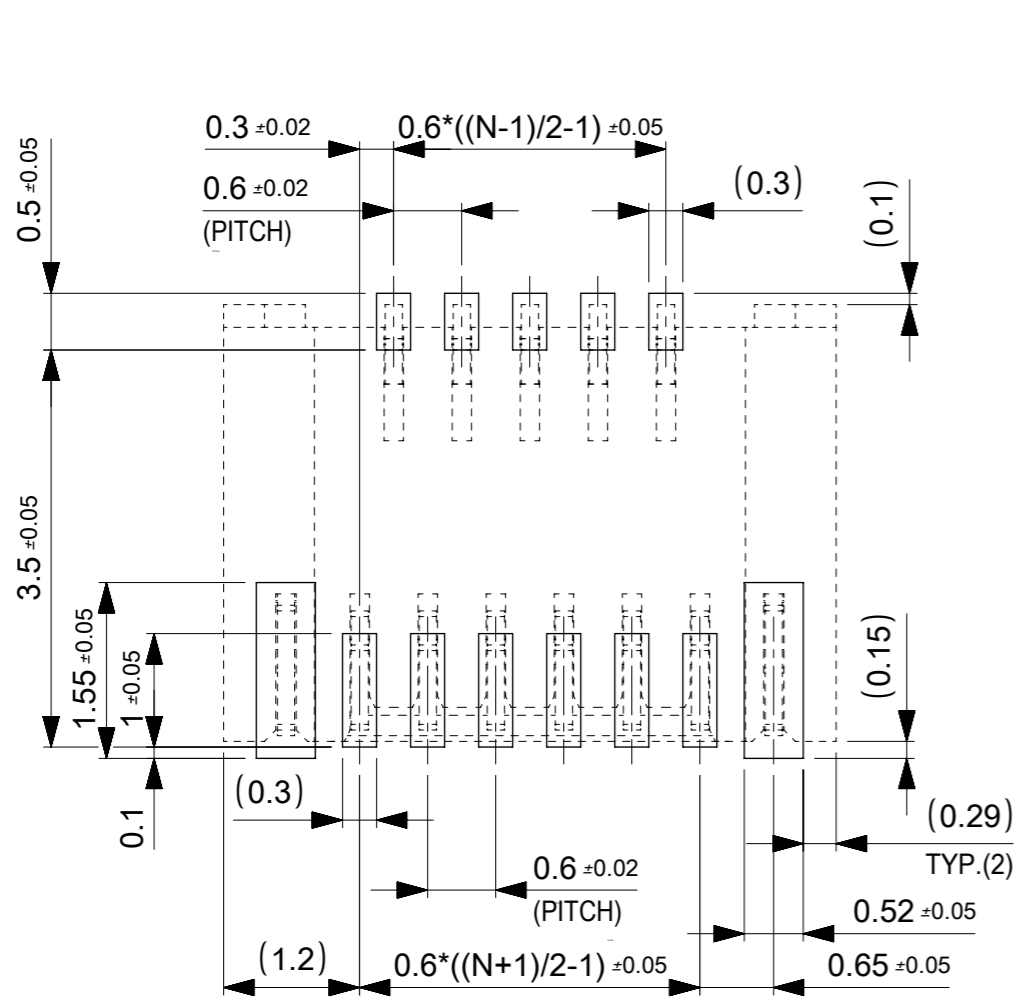


15.6	14.4	15.0	17.4	5019125190	5019125110	51
14.4	13.2	13.8	16.2	5019124790	5019124710	47
13.8	12.6	13.2	15.6	5019124590	5019124510	45
12.6	11.4	12.0	14.4	5019124190	5019124110	41
12.0	10.8	11.4	13.8	5019123990	5019123910	39
11.4	10.2	10.8	13.2	5019123790	5019123710	37
10.8	9.6	10.2	12.6	5019123590	5019123510	35
10.2	9.0	9.6	12.0	5019123390	5019123310	33
8.4	7.2	7.8	10.2	5019122790	5019122710	27
7.8	6.6	7.2	9.6	5019122590	5019122510	25
7.2	6.0	6.6	9.0	5019122390	5019122310	23
6.6	5.4	6.0	8.4	5019122190	5019122110	21
4.8	3.6	4.2	6.6	5019121590	5019121510	15
D	C	B	A	EMBOSSED TAPE PKG		MATERIAL No. CIRCUIT
				ORDER No.		
MODEL No. 501912**10						



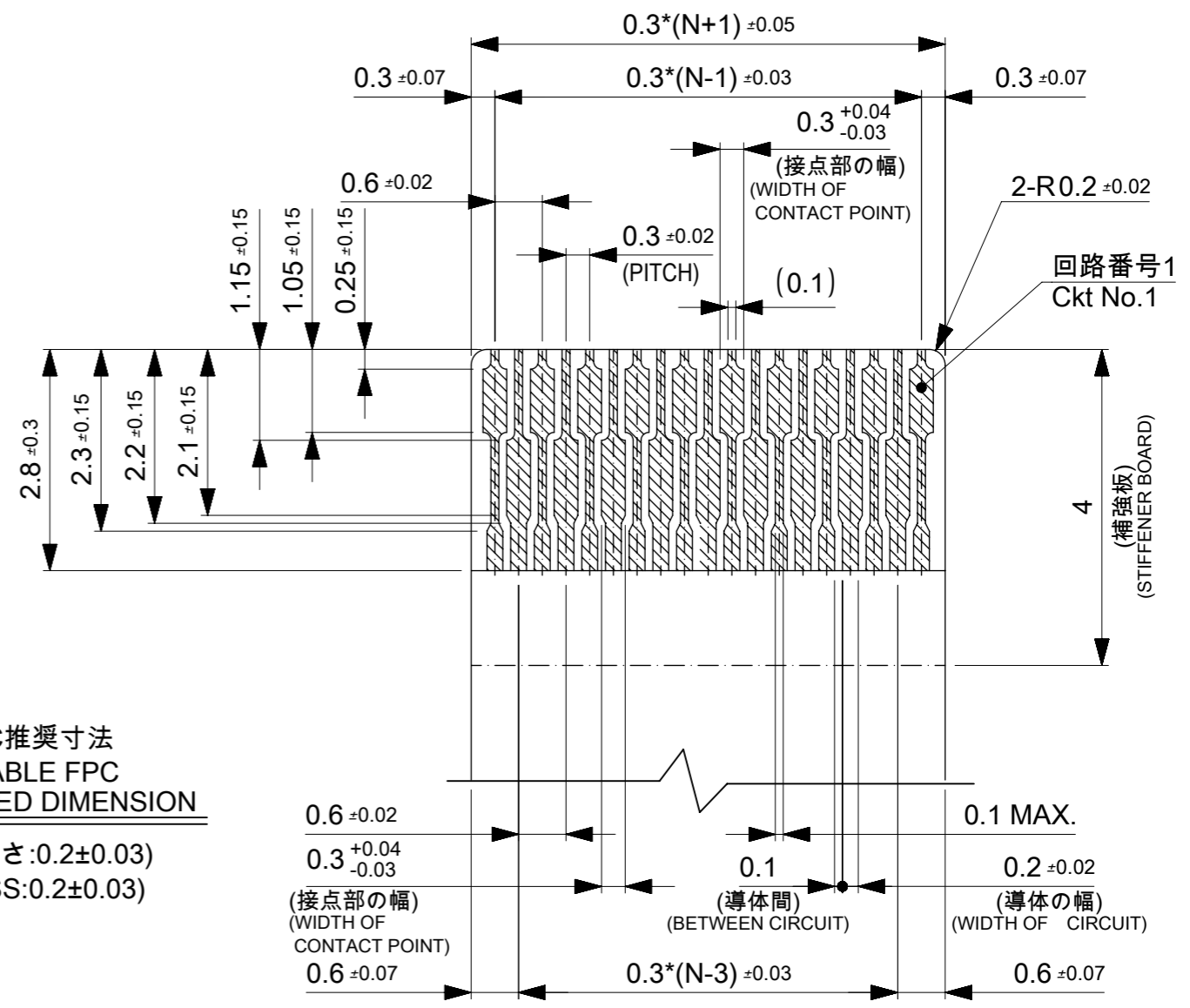
THIS DRAWING CONTAINS INFORMATION THAT IS PROPRIETARY TO MOLEX ELECTRONIC TECHNOLOGIES, LLC AND SHOULD NOT BE USED WITHOUT WRITTEN PERMISSION

EC NO: 101883 DRWN: SHIRATA CHK'D: YNOGAWA APPR: YNOGAWA RELEASED 2015/11/24 2016/01/05 2016/01/05	GENERAL TOLERANCES (UNLESS SPECIFIED)		DIMENSION UNITS	SCALE	
	ANGULAR TOL ± 3.0 °		mm	15:1	
	4 PLACES ± 0.2	DRWN BY	DATE		
	3 PLACES ± 0.2	SHIRATA	2015/11/24		
	2 PLACES ± 0.2	CHK'D BY	DATE		
1 PLACE ± 0.2	HIIJIMA	DATE		PRODUCT CUSTOMER DRAWING	
0 PLACES ± 0.2	APPR BY	DATE			
	YNOGAWA	2016/01/05			
DRAFT WHERE APPLICABLE MUST REMAIN WITHIN DIMENSIONS		DRAWING SIZE	THIRD ANGLE PROJECTION		SERIES: 501912 MATERIAL NUMBER: SEE TABLE CUSTOMER:
A	REV	A3			DOCUMENT NUMBER: 5019121000 DOC TYPE: PSD DOC PART: 000 SHEET NUMBER: 1 OF 2



参考基板レイアウト図  
(マウント面)  
(MOUNTING SIDE)

適合FPC推奨寸法  
APPLICABLE FPC  
RECOMMENDED DIMENSION  
(仕上がり厚さ:0.2±0.03)  
(THICKNESS:0.2±0.03)



注記 NOTES

- 使用材料 MATERIAL
  - ハウジング :耐熱性樹脂 ガラス充填 UL94V-0
  - HOUSING :HEAT RESISTANCE POLYMER(GLASS FILLED) UL94V-0
  - アクチュエータ :耐熱性樹脂 ガラス充填 UL94V-0
  - ACTUATOR :HEAT RESISTANCE POLYMER(GLASS FILLED) UL94V-0
  - ターミナル :銅合金(t=0.15)、ニッケル下地金メッキ
  - TERMINAL :COPPER ALLOY(t=0.15),GOLD OVER NICKEL PLATING.
  - 金具 :銅合金(t=0.15)、ニッケル下地スズメッキ
  - FITTING NAIL :COPPER ALLOY(t=0.15),TIN OVER NICKEL PLATING.
- ハウジングに黒点がある場合がありますが、問題はありません。
- ソルダーテール半田付け面、及び金具半田付け面の平坦度 : 0.1mm MAXIMUM.  
COPLANARITY OF SOLDER TAILS AND FITTING NAILS TO BE 0.1mm MAXIMUM.
- ELV AND RoHS COMPLIANT.

FPCについて:

打抜き方向は導体側から補強板側を推奨致します。  
導体部については軟銅箔35マイクロメートルまたは50マイクロメートルを推奨致します。  
補強フィルム材質はポリイミドを推奨致します。  
接着剤は熱硬化接着剤を推奨致します。

ABOUT FPC

RECOMMENDED PUNCHER DIRECTION : FROM CONDUCTOR SIDE TO STIFFENER FILM SIDE.  
RECOMMENDED CONDUCTOR SPEC :  
THICKNESS OF SOFT COPPER FOIL : 35 MICROMETER OR 50 MICROMETER.  
RECOMMENDED MATERIAL :  
STIFFENER FILM : POLYIMIDE  
BONDING AGENT : THERMOSETTING BONDING AGENT.

THIS DRAWING CONTAINS INFORMATION THAT IS PROPRIETARY TO MOLEX ELECTRONIC TECHNOLOGIES, LLC AND SHOULD NOT BE USED WITHOUT WRITTEN PERMISSION												
RELEASED	EC NO: 101883	DRWN: SHIRATA	CHK'D: YNOGAWA	APPR: YNOGAWA	2015/11/24	2016/01/05	2016/01/05	GENERAL TOLERANCES (UNLESS SPECIFIED)		DIMENSION UNITS	SCALE	
					ANGULAR TOL ± 3.0 °		4 PLACES ± 0.2		mm	15:1	DRWN BY DATE	
					3 PLACES ± 0.2		2 PLACES ± 0.2		SHIRATA 2015/11/24		CHK'D BY DATE	
					1 PLACE ± 0.2		0 PLACES ± 0.2		HIIJIMA		APPR BY DATE	
					DRAFT WHERE APPLICABLE MUST REMAIN WITHIN DIMENSIONS		A3		YNOGAWA 2016/01/05		DRAWING SIZE THIRD ANGLE PROJECTION	
									A3		THIRD ANGLE PROJECTION	
						molex						
						0.3 FPC CONN E/O HSG ASSY (HGT=1.8MM) GOLD PLATING						
						PRODUCT CUSTOMER DRAWING						
		SERIES		MATERIAL NUMBER		CUSTOMER		501912		SEE TABLE		
		DOCUMENT NUMBER		DOC TYPE		DOC PART		SHEET NUMBER		5019121000 PSD 000 2 OF 2		