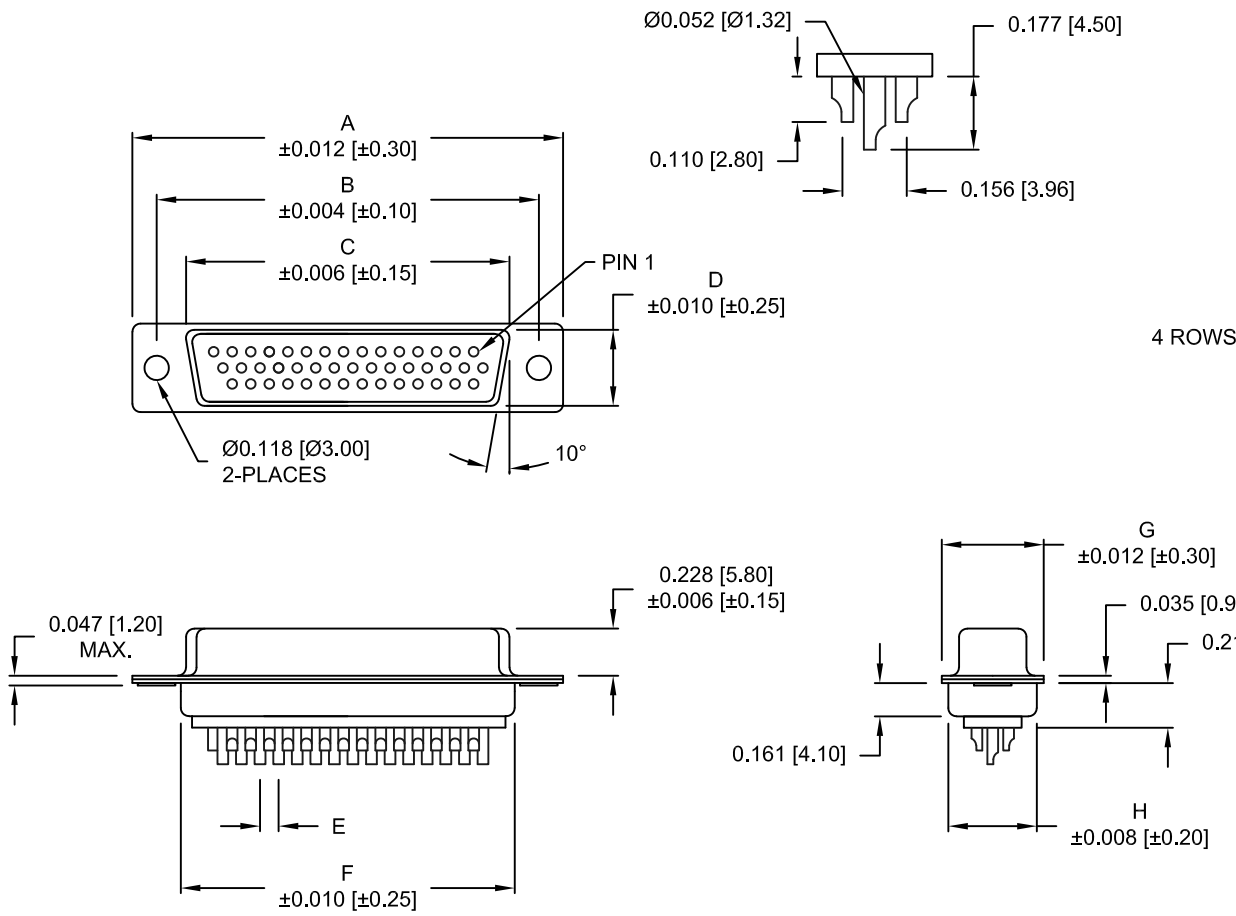


DESCRIPTION: HIGH DENSITY FEMALE - SOLDER CUP



| No. OF PINS | DIMENSIONS |       |       |       |       |       |       |       |
|-------------|------------|-------|-------|-------|-------|-------|-------|-------|
|             | A          | B     | C     | D     | E     | F     | G     | H     |
| 15          | 1.213      | 0.984 | 0.643 | 0.311 | 0.090 | 0.756 | 0.496 | 0.429 |
|             | 30.80      | 24.99 | 16.34 | 7.90  | 2.29  | 19.20 | 12.60 | 10.90 |
| 26          | 1.541      | 1.312 | 0.966 | 0.311 | 0.090 | 1.091 | 0.496 | 0.429 |
|             | 39.15      | 33.32 | 24.53 | 7.90  | 2.29  | 27.70 | 12.60 | 10.90 |
| 44          | 2.087      | 1.852 | 1.512 | 0.311 | 0.090 | 1.618 | 0.496 | 0.429 |
|             | 53.00      | 47.04 | 38.40 | 7.90  | 2.29  | 41.10 | 12.60 | 10.90 |
| 62          | 2.728      | 2.500 | 2.156 | 0.311 | 0.095 | 2.256 | 0.496 | 0.429 |
|             | 69.30      | 63.50 | 54.76 | 7.90  | 2.41  | 57.30 | 12.60 | 10.90 |
| 78          | 2.638      | 2.406 | 2.057 | 0.429 | 0.095 | 2.169 | 0.606 | 0.526 |
|             | 67.00      | 61.10 | 52.26 | 10.90 | 2.41  | 55.10 | 15.40 | 13.35 |

4 ROWS

180-YYY-20YLYY1

SERIES \_\_\_\_\_  
 POSITIONS \_\_\_\_\_  
 015 \_\_\_\_\_  
 026 \_\_\_\_\_  
 044 \_\_\_\_\_  
 062 \_\_\_\_\_  
 078 \_\_\_\_\_  
 GENDER \_\_\_\_\_  
 2 = FEMALE  
 TERMINATION \_\_\_\_\_  
 0 = SOLDER CUP  
 SHELL PLATING \_\_\_\_\_  
 2 = TIN  
 3 = NICKEL  
 RoHS COMPLIANT (230°C) \_\_\_\_\_  
 HARDWARE OPTIONS \_\_\_\_\_  
 00 = NO HARDWARE  
 01 = .098" CLINCH NUT (BOARD SIDE)  
 02 = .236" CLINCH NUT (BOARD SIDE)  
 03 = .236" CLINCH NUT (MATING SIDE)  
 PLATING OPTIONS \_\_\_\_\_  
 1 = GOLD FLASH  
 2 = 30u" GOLD MATING AREA; GF ON TAILS

**MATERIAL:**

SHELL: STEEL, TIN OR NICKEL PLATED  
 INSULATOR: PBT +30% FIBER-GLASS // UL 94V-O RATED  
 CONTACT: BRASS, GOLD PLATED OVER NICKEL

**ELECTRICAL:**

CURRENT RATING: 5 AMPS  
 CONTACT RESISTANCE: 15 mOhms Max.  
 INSULATION RESISTANCE: 1,000 MOhms min.  
 VOLTAGE: 500VAC FOR 1 MINUTE  
 TEMPERATURE: -50° C TO 100° C

NOTE: WILL ACCEPT UP TO 24 AWG WIRE

UNITS = inch [mm] DO NOT SCALE FROM DRAWING



THESE DRAWINGS AND SPECIFICATIONS ARE THE PROPERTY OF NorComp AND SHALL NOT BE REPRODUCED, COPIED OR USED AS THE BASIS FOR THE MANUFACTURE OF SALE OF APPARATUS WITHOUT WRITTEN PERMISSION.

|                         |            |                   |           |
|-------------------------|------------|-------------------|-----------|
| DRAWN:<br>PAM JENKINS   |            | DATE:<br>08-12-98 |           |
| SCALE:<br>NTS           | SHEET<br>1 | OF<br>2           | REV<br>11 |
| DWG NO. 180-YYY-20YLYY1 |            |                   |           |

RoHS COMPLIANT

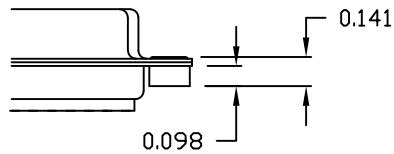
NorComp

DESCRIPTION: CLINCH NUT HARDWARE

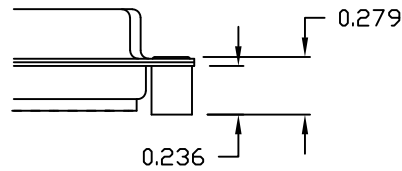
TOLERANCE:  
ALL DIMENSIONS ARE  $\pm 0.010$

ALL CLINCH-NUTS ARE 4-40 INTERNAL THREADS

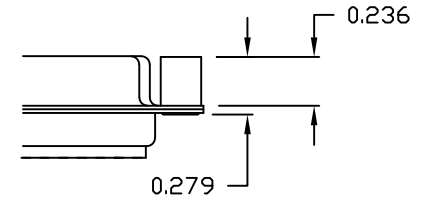
01X ..... 0.098" (BOARD SIDE)



02X ..... 0.236" (BOARD SIDE)



03X..... 0.236" (MATING SIDE)



UNITS = inch

DO NOT SCALE FROM DRAWING



THESE DRAWINGS AND SPECIFICATIONS ARE THE PROPERTY OF NorComp AND SHALL NOT BE REPRODUCED, COPIED OR USED AS THE BASIS FOR THE MANUFACTURE OF SALE OF APPARATUS WITHOUT WRITTEN PERMISSION.

DRAWN:  
PAM JENKINS

DATE:  
08-12-98

**NorComp**

SCALE: NTS SHEET 2 OF 2 REV 11

DWG NO. 180-YYY-20YLYY1

RoHS COMPLIANT