

NCP3231B

Buck Converter - Synchronous, High Current

The NCP3231B is a high current, high efficiency, voltage-mode synchronous buck converter which operates from 4.5 V to 18 V input and generates output voltages down to 0.6 V at up to 25 A.

Features

- Wide Input Voltage Range from 4.5 V to 18 V
- 0.6 V Internal Reference Voltage
- 1 MHz Switching Frequency
- External Programmable Soft-start
- Lossless Low-side FET Current Sensing
- Output Over-voltage Protection and Under-voltage Protection
- System Over-temperature Protection using a Thermistor or Sensor
- Hiccup Mode Operation for All Faults
- Pre-bias Start-up
- Adjustable Output Voltage
- Power Good Output
- Internal Over-temperature Protection
- This is a Pb-Free Device*

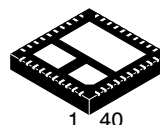
Typical Applications

- Cellular Base Stations
- ASIC, FPGA, DSP and CPU Core and I/O Supplies
- Telecom and Network Equipment
- Server and Storage System



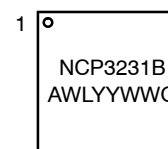
ON Semiconductor®

www.onsemi.com



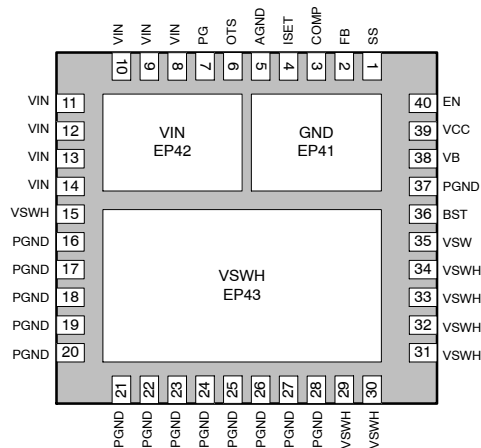
**QFN40 6x6, 0.5P
CASE 485CM**

MARKING DIAGRAM



NCP3231B = Specific Device Code
 A = Assembly Location
 WL = Wafer Lot
 YY = Year
 WW = Work Week
 G = Pb-Free Package

PIN CONNECTIONS



(TOP VIEW)

ORDERING INFORMATION

| Device | Package | Shipping† |
|---------------|--------------------|-----------------------|
| NCP3231BMNTXG | QFN40 (Pb-Free) | 2500 / Tape & Reel |

†For information on tape and reel specifications, including part orientation and tape sizes, please refer to our Tape and Reel Packaging Specification Brochure, BRD8011/D.

*For additional information on our Pb-Free strategy and soldering details, please download the ON Semiconductor Soldering and Mounting Techniques Reference Manual, SOLDERRM/D.

NCP3231B

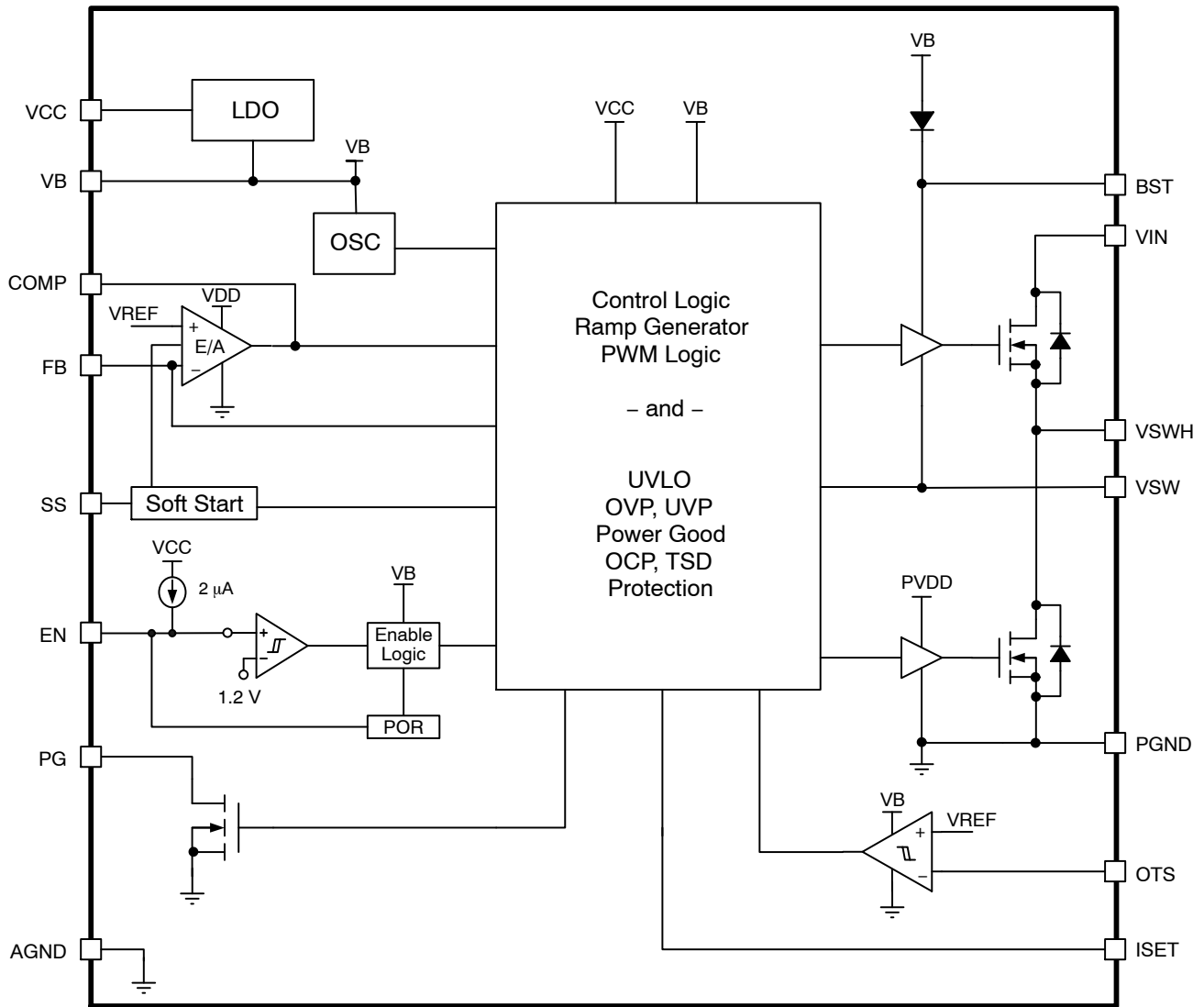


Figure 1. NCP3231B Block Diagram

NCP3231B

PIN DESCRIPTION

| Pin No. | Symbol | Description |
|--------------------|--------|--|
| 1 | SS | A capacitor from this pin to GND allows the user to adjust the soft-start ramp time. |
| 2 | FB | Output voltage feedback. |
| 3 | COMP | Output of the error amplifier. |
| 4 | ISET | A resistor from this pin to ground sets the over-current protection (OCP) threshold. |
| 5 | AGND | Analog ground. |
| 6 | OTS | Negative input of internal thermal comparator. Tie this pin to ground if not in use. |
| 7 | PG | Power good indicator of the output voltage. Open-drain output. Connect PG to VDD with an external resistor. |
| 8-14, EP42 | VIN | The VIN pin is connected to the internal power NMOS switch. The VIN pin has high di/dt edges and must be decoupled to ground close to the pin of the device. |
| 15, 29-34, EP43 | VSWH | The VSWH pin is the connection of the drain and source of the internal NMOS switches. At switch off, the inductor will drive this pin below ground as the body diode and the NMOS conducts with a high dv/dt. |
| 16-28, 37 | PGND | Ground reference and high-current return path for the bottom gate driver and low-side NMOS. |
| 35 | VSW | IC connection to the switch node between the top MOSFET and bottom MOSFET. Return path of the high-side gate driver. |
| 36 | BST | Top gate driver input supply, a bootstrap capacitor connection between the switch node and this pin. |
| 38 | VB | The internal LDO output and input supply for the NCP3231B. Connect a minimum of 4.7 μ F ceramic capacitor from this pin to ground. |
| 39 | VCC | Input Supply for IC. This pin must be connected to VIN. |
| 40 | EN | Logic control for enabling the switcher. An internal pull-up enables the device automatically. The EN pin can also be driven high to turn on the device, or low to turn off the device. A comparator and precision reference allow the user to implement this pin as an adjustable UVLO circuit. |
| EP41 | GND | Exposed Pad. Connect GND to a large copper plane at ground potential to improve thermal dissipation. |

NCP3231B

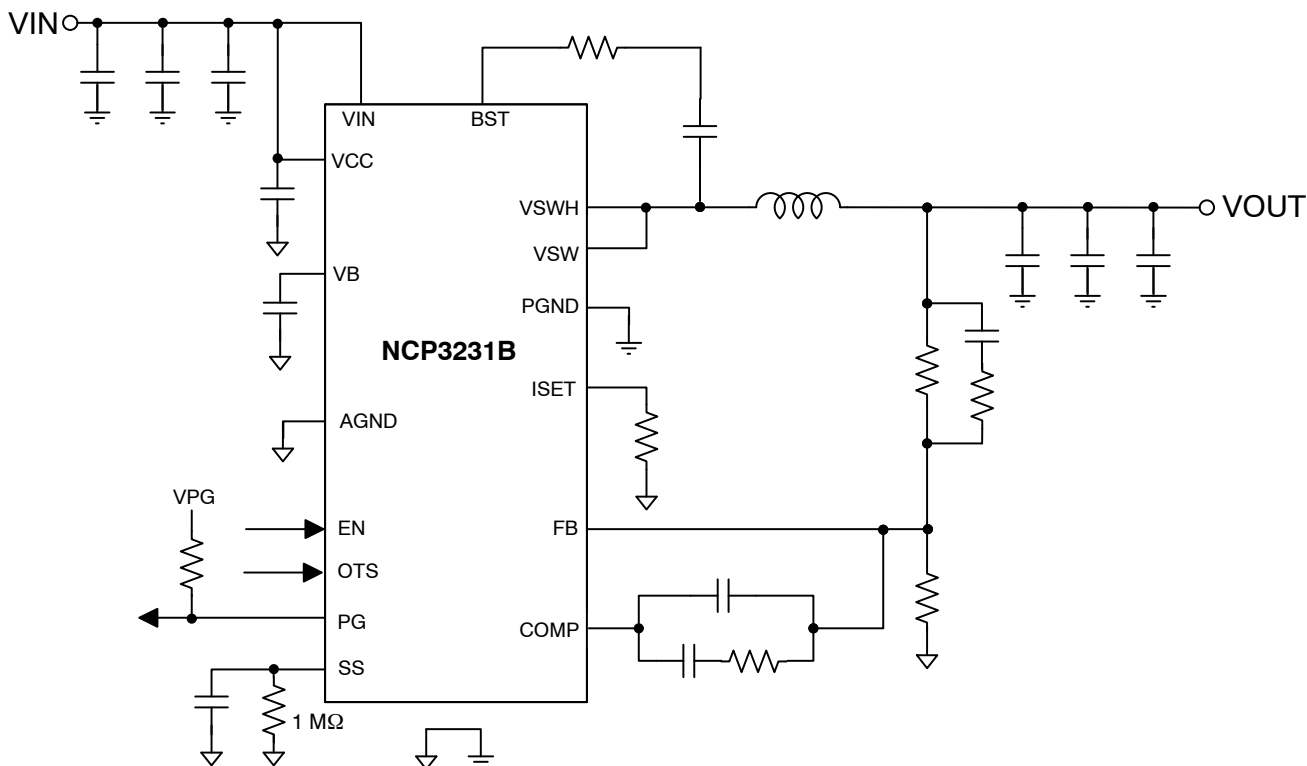


Figure 2. Typical Application Circuit

ABSOLUTE MAXIMUM RATINGS (measured vs. GND pad, unless otherwise noted)

| Rating | Symbol | Value | Unit |
|---|---------------------|---|------|
| Power Supply to GND | VIN, VCC | 20.5 -0.3 | V |
| VSW to GND | VSWH, VSW | 26 -0.6 (DC) +30 (t < 50 ns) -4 (t < 100 ns) | V |
| BST to GND | BST | 30 (DC) -0.6 (DC) +32 (t < 50 ns) | V |
| BST to VSW | VBST_VSW | 6.5 (DC) -0.3 (DC) | V |
| All other pins | | 6.0 -0.3 | V |
| Operating Ambient Temperature Range (Note 1) | T _A | -40 to +90 | °C |
| Operating Junction Temperature Range (Note 1) | T _J | -40 to +150 | °C |
| Maximum Junction Temperature | T _{J(MAX)} | +150 | °C |
| Storage Temperature Range | T _{stg} | -55 to +150 | °C |

THERMAL INFORMATION

| | | | |
|---|---------------------|-----|------|
| HS FET Junction-to-Case Thermal Resistance (Note 2) | R _{θJC-HS} | 1.3 | °C/W |
| LS FET Junction-to-Case Thermal Resistance (Note 2) | R _{θJC-LS} | 0.6 | °C/W |

Stresses exceeding those listed in the Maximum Ratings table may damage the device. If any of these limits are exceeded, device functionality should not be assumed, damage may occur and reliability may be affected.

1. The maximum package power dissipation limit must not be exceeded.

$$P_D = \frac{T_{J(MAX)} - T_A}{R_{\theta JA}}$$

2. R_{θJC} thermal resistance is obtained by simulating a cold plate test on the exposed power pad. No specific JEDEC standard test exists, but a close description can be found in the ANSI SEMI standard G30-88.

NCP3231B

ELECTRICAL CHARACTERISTICS

($-40^{\circ}\text{C} < T_J < +125^{\circ}\text{C}$, $V_{CC} = 12\text{ V}$, for min/max values unless otherwise noted, $T_J = +25^{\circ}\text{C}$ for typical values)

| Parameter | Symbol | Test Conditions | Min | Typ | Max | Units |
|-----------|--------|-----------------|-----|-----|-----|-------|
|-----------|--------|-----------------|-----|-----|-----|-------|

POWER SUPPLY

| | | | | | | |
|-----------------------------|---------|--|-----|------|------|---------------|
| VIN/VCC Operation Voltage | VIN/VCC | | 4.5 | | 18 | V |
| VB UVLO Threshold (Rising) | | | 4.1 | 4.2 | 4.3 | V |
| VB UVLO Threshold (Falling) | | | 3.4 | 3.66 | 3.8 | V |
| VB Output Voltage | VB | $V_{CC} = 6\text{ V}$, $0 \leq I_B \leq 40\text{ mA}$ | 4.9 | 5.15 | 5.45 | V |
| VB Dropout Voltage | | $I_B = 25\text{ mA}$, $V_{CC} = 4.5\text{ V}$ | | 36 | 110 | mV |
| VCC Quiescent Current | | EN = H, COMP = H, no switching; PG open; no switching | | 4.7 | 6.4 | mA |
| Shutdown Supply Current | | NCP3231B; EN = 0; $V_{CC} = 18\text{ V}$; PG open | | 100 | 140 | μA |
| | | NCP3231B; EN = 0; $V_{CC} = 4.5\text{ V}$; PG open | | 53 | 75 | μA |

FEEDBACK VOLTAGE

| | | | | | | |
|-----------------------------|-----|---|-----|-----|-----|----|
| FB Input Voltage | VFB | $-0^{\circ}\text{C} \leq T_J \leq 105^{\circ}\text{C}$, $4.5\text{ V} \leq V_{CC} \leq 18\text{ V}$ | 597 | 600 | 603 | mV |
| | | $-40^{\circ}\text{C} \leq T_J \leq 125^{\circ}\text{C}$; $4.5\text{ V} \leq V_{CC} \leq 18\text{ V}$ | 594 | 600 | 606 | |
| Feedback Input Bias Current | IFB | VFB = 0.6 V | | | 75 | nA |

ERROR AMPLIFIER

| | | | | | | |
|--------------------------------|---------|-------------------------|----|------|--|------------|
| Open Loop DC Gain | | Guaranteed by Design | 60 | 85 | | dB |
| Open Loop Unity Gain Bandwidth | F0dB,EA | | | 24 | | MHz |
| Open Loop Phase Margin | | | | 60 | | $^{\circ}$ |
| Slew Rate | | COMP pin to GND = 10 pF | | 2.5 | | V/ μ |
| COMP Clamp Voltage, High | | | | 3.46 | | V |
| COMP Clamp Voltage, Low | | | | 465 | | mV |
| Output Source Current | | VFB = 0 V | 15 | | | mA |
| Output Sink Current | | VFB = 1 V | 20 | | | mA |

CURRENT LIMIT

| | | | | | | |
|--|-------------------|---|--|-------|-------|-----------------------|
| Low-side $R_{DS(on)}/ISET$ | $R_{DS(on)}/ISET$ | Guaranteed by Characterization, $T_J = 25^{\circ}\text{C}$ | | 44 | | Ω/A |
| Low-side ISET Current Source Temperature Coefficient | TC_LS_ISET | | | +0.31 | | %/ $^{\circ}\text{C}$ |
| Low-side OCP Switch-over Threshold | | Guaranteed by Design | | 600 | | mV |
| Low-side Fixed OCP Threshold | LS_OCPth | Guaranteed by Design | | 300 | | mV |
| Low-side Programmable OCP Range | LS_OCPth | | | | < 600 | mV |
| LS OCP Blanking time | LS_Tblnk | Guaranteed by Design | | 150 | | ns |

PWM

| | | | | | | |
|--------------------|--|---|---------|---------|---------|----|
| Maximum duty cycle | | fsw = 1 MHz, VFB = 0 V $4.5\text{ V} < V_{CC} < 18\text{ V}$ | | 88 | | % |
| Minimum duty cycle | | VCOMP < PWM Ramp Offset Voltage | | 0 | | % |
| Minimum GH on-time | | Guaranteed by Design | | 40 | 55 | ns |
| PWM Ramp Amplitude | | Guaranteed by Characterization | VCC/8.6 | VCC/6.6 | VCC/5.6 | V |
| PWM Ramp Offset | | Guaranteed by Characterization | | 0.64 | | V |

OSCILLATOR

| | | | | | | |
|----------------------------|-----|--|-----|------|------|-----|
| Oscillator Frequency Range | fsw | fsw = 1 MHz $4.5\text{ V} < V_{CC} < 18\text{ V}$ | 950 | 1000 | 1050 | kHz |
|----------------------------|-----|--|-----|------|------|-----|

NCP3231B

ELECTRICAL CHARACTERISTICS

($-40^{\circ}\text{C} < T_J < +125^{\circ}\text{C}$, $V_{CC} = 12\text{ V}$, for min/max values unless otherwise noted, $T_J = +25^{\circ}\text{C}$ for typical values)

| Parameter | Symbol | Test Conditions | Min | Typ | Max | Units |
|-----------|--------|-----------------|-----|-----|-----|-------|
|-----------|--------|-----------------|-----|-----|-----|-------|

OSCILLATOR

| | | | | | | |
|--------------|---------------------|--|--|---------------------|--|----|
| Hiccup Timer | t_{hiccup} | $t_{\text{ss}} < 1\text{ ms}$, $f_{\text{sw}} = 1\text{ MHz}$ | | 4 | | ms |
| | | $t_{\text{ss}} > 1\text{ ms}$, $f_{\text{sw}} = 1\text{ MHz}$ | | 4 x t_{ss} | | ms |

ENABLE INPUT (EN)

| | | | | | | |
|--------------------------|-----------------|-------------|------|------|------|---------------|
| EN Input Operating Range | | | | | 5.5 | V |
| Enable Threshold Voltage | V_{EN} | VEN rising | 1.11 | 1.2 | 1.29 | V |
| Enable Hysteresis | | VEN falling | | 144 | | mV |
| Deep Disable Threshold | | | 0.7 | 0.78 | 0.9 | V |
| Enable Pull-up Current | | | | 2 | | μA |

SOFTSTART INPUT (SS)

| | | | | | | |
|-------------------|------------------|--|------|------|-----|---------------|
| SS Startup Delay | t_{SSD} | | | 0.75 | | ms |
| SS End Threshold | SSEND | | | 0.6 | | V |
| SS Source Current | ISS | | 2.15 | 2.5 | 2.8 | μA |

VOLTAGE MONITOR

| | | | | | | |
|--|--|-------------|-----|-----------------|-----|---------------|
| Power Good Sink Current | | PG = 0.15 V | 10 | 20 | 30 | mA |
| Output Overvoltage Rising Threshold | | | 665 | 675 | 685 | mV |
| Overvoltage Fault Blanking Time | | | | 20 | | μs |
| Output Under-Voltage Trip Threshold | | | 500 | 525 | 550 | mV |
| Under-voltage Protection Blanking Time | | | | 20 | | μs |
| OVP and UVP Enable Delay | | | | t_{SS} | | s |

POWER STAGE

| | | | | | | |
|-------------------------|--------|--|--|-----|-----|------------------|
| High-side On Resistance | RDSONH | $V_{\text{IN}}/V_{\text{CC}} = 5\text{ V}$, $I_{\text{D}} = 2\text{ A}$ | | 7 | 9.9 | $\text{m}\Omega$ |
| Low-side On Resistance | RDSONL | $V_{\text{IN}}/V_{\text{CC}} = V_{\text{B}}$, $I_{\text{D}} = 2\text{ A}$ | | 1.5 | 2.9 | $\text{m}\Omega$ |
| VFBOOT | | I _{BOOT} = 2 mA | | 28 | | mV |

THERMAL MONITOR (OTS)

| | | | | | | |
|---|--|--|------|------|------|----|
| OTS comparator reference voltage (Rising Threshold) | | | 0.58 | 0.62 | 0.65 | V |
| OTS comparator reference voltage (Falling Hysteresis) | | | | 50 | | mV |

THERMAL SHUTDOWN

| | | | | | | |
|-----------------------------|--|----------------------|-----|-----|-----|--------------------|
| Thermal Shutdown Threshold | | Guaranteed by design | 135 | 150 | 165 | $^{\circ}\text{C}$ |
| Thermal Shutdown Hysteresis | | Guaranteed by design | | 25 | | $^{\circ}\text{C}$ |

Product parametric performance is indicated in the Electrical Characteristics for the listed test conditions, unless otherwise noted. Product performance may not be indicated by the Electrical Characteristics if operated under different conditions.

TYPICAL CHARACTERISTICS

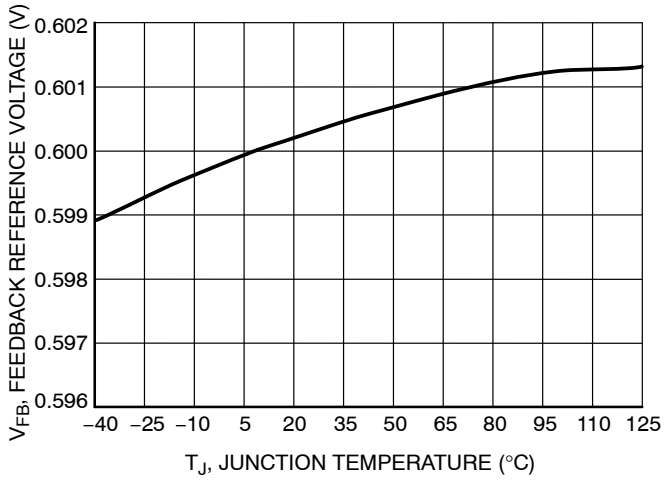


Figure 3. Reference Voltage vs. Temperature

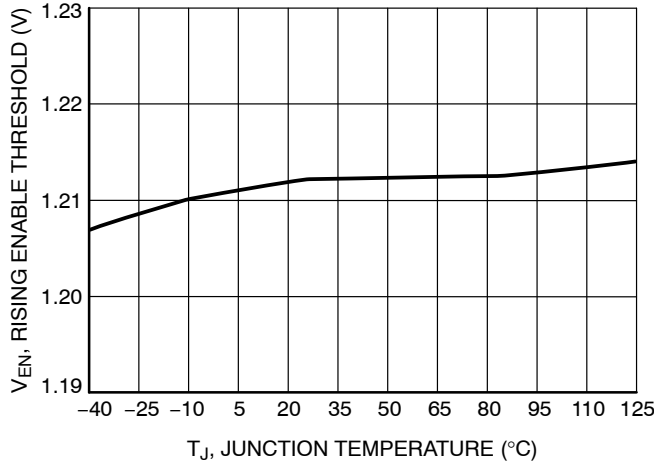


Figure 4. Rising Enable Threshold vs. Temperature

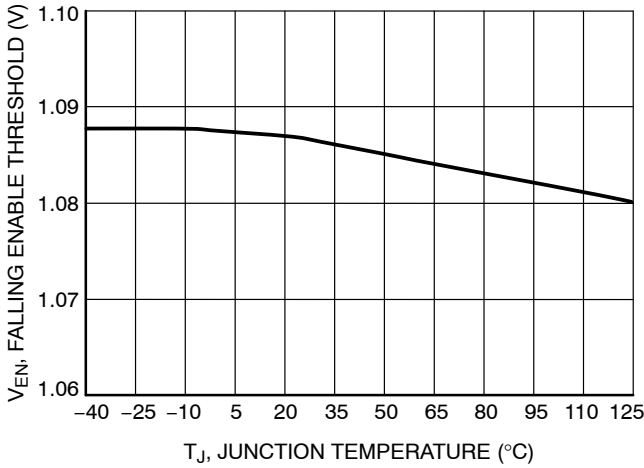


Figure 5. Falling Enable Threshold vs. Temperature

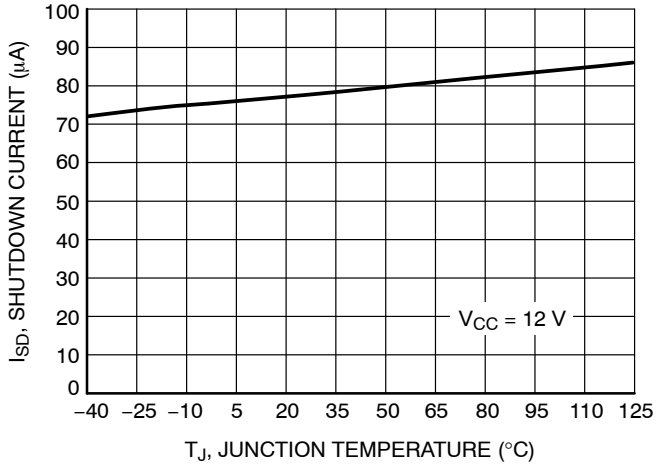


Figure 6. Shutdown Current vs. Temperature

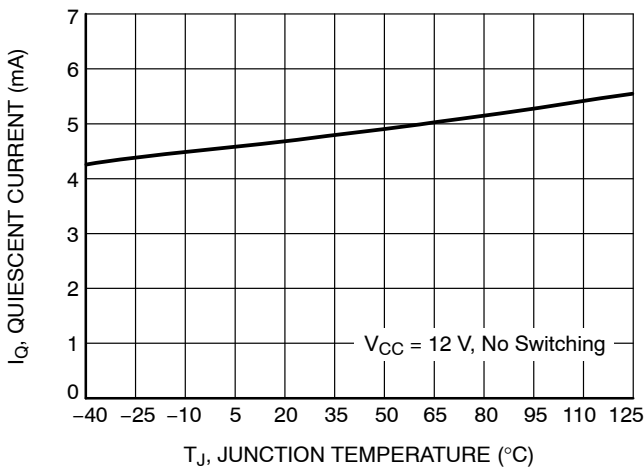


Figure 7. Quiescent Current vs. Temperature

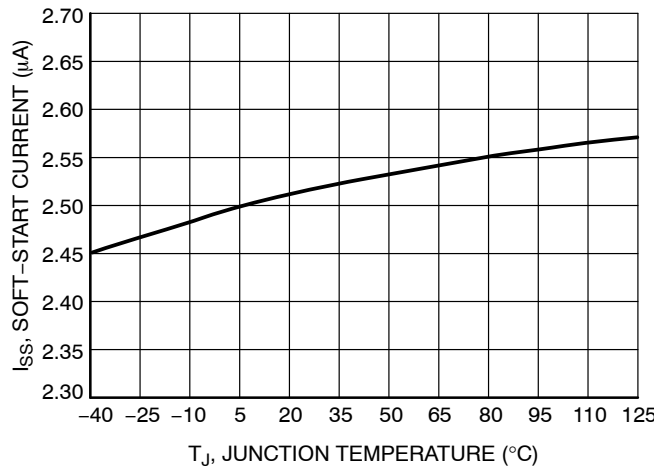


Figure 8. Soft-start Current vs. Temperature

TYPICAL CHARACTERISTICS

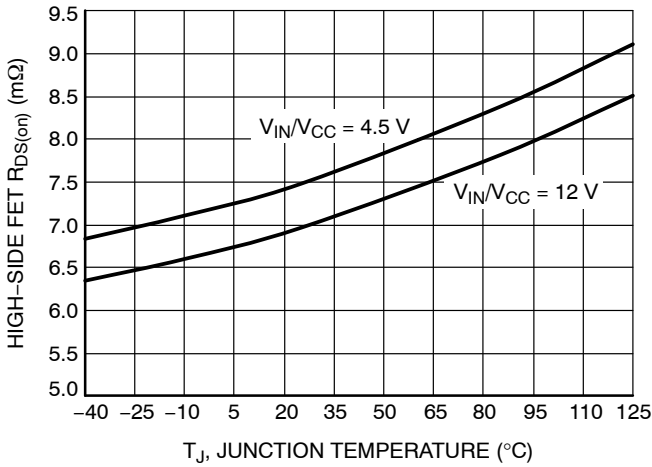


Figure 9. High-side R_{DS(on)} vs. Temperature

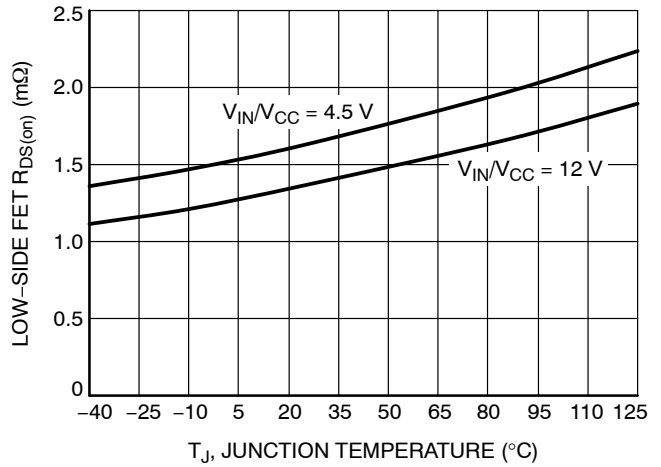


Figure 10. Low-side R_{DS(on)} vs. Temperature

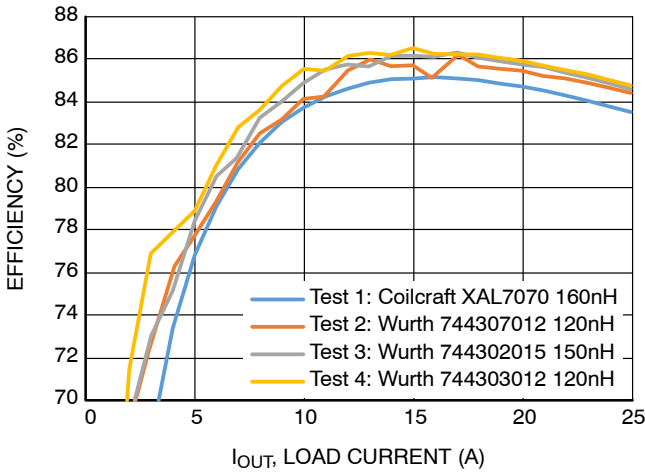


Figure 11. Efficiency vs. I_{out}
(V_{in} = 12 V to 1.0 V)

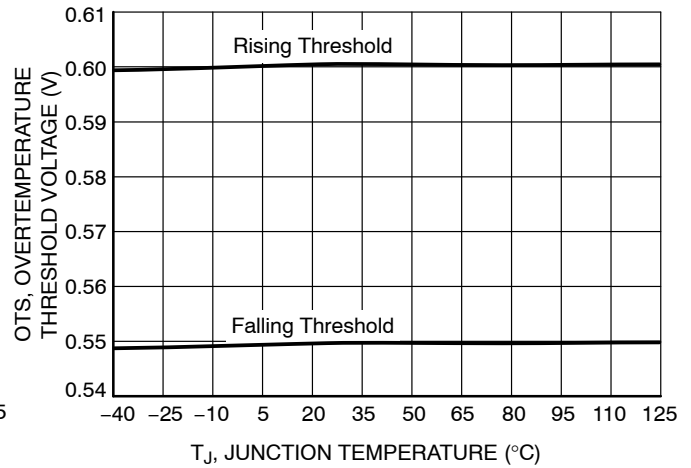


Figure 12. OTS Threshold vs. Temperature

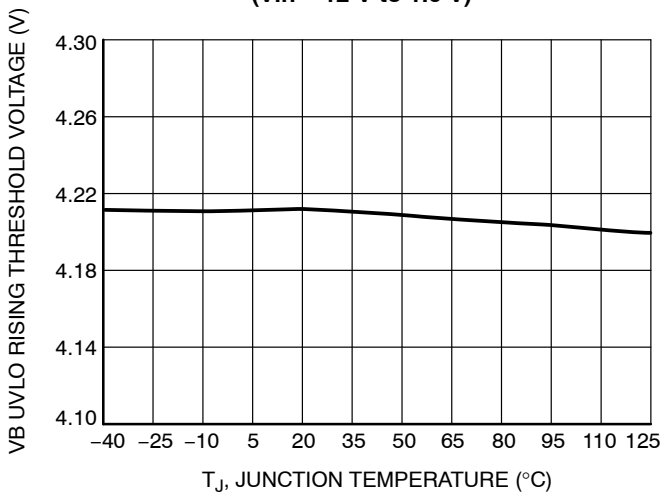


Figure 13. VB UVLO Rising Threshold vs. Junction Temperature

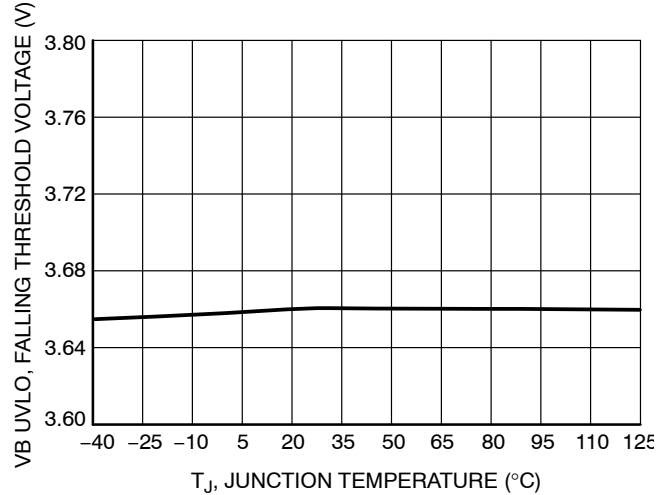


Figure 14. VB UVLO Falling Threshold vs. Junction Temperature

NCP3231B

TYPICAL CHARACTERISTICS

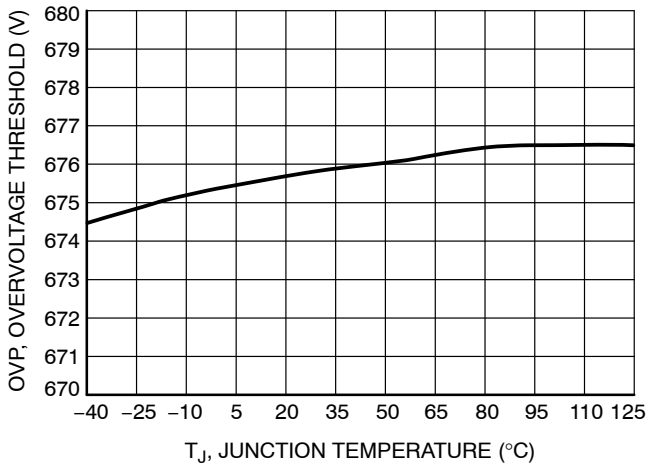


Figure 15. Output OVP vs. Junction Temperature

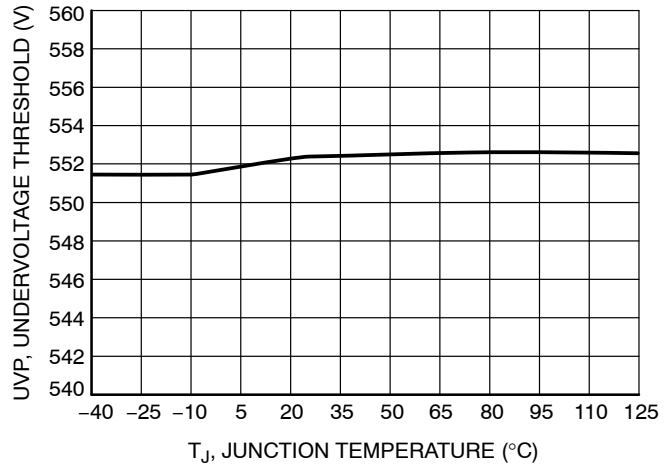
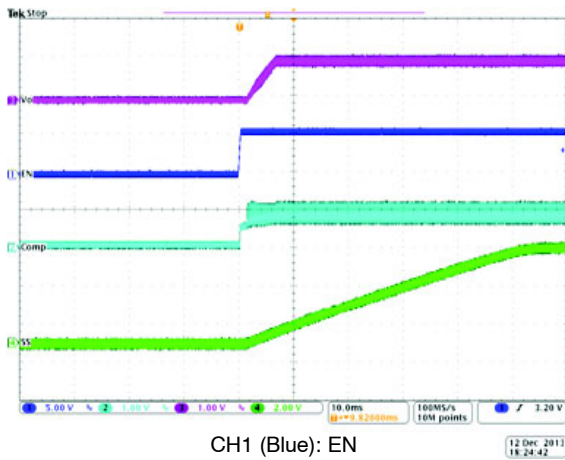
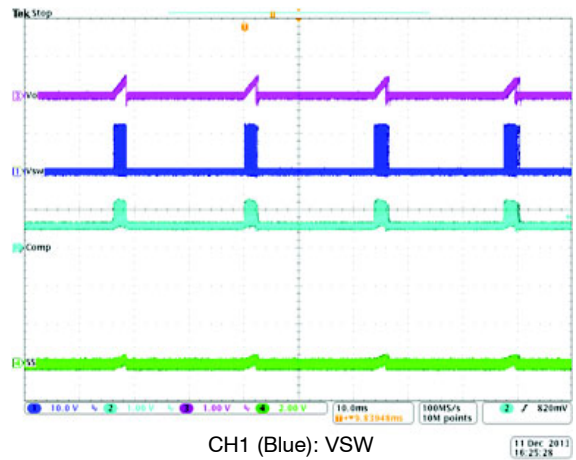


Figure 16. Output UVP vs. Junction Temperature



CH1 (Blue): EN
 CH2 (Aqua): COMP
 CH3 (Purple): Vout
 CH4 (Green): SS

Figure 17. Typical Startup Waveforms
 (V_{in} = 12 V, I_{out} = 25 A, V_{out} = 1 V)



CH1 (Blue): VSW
 CH2 (Aqua): COMP
 CH3 (Purple): Vout
 CH4 (Green): SS

Figure 18. Typical Short Circuit Waveforms
 (V_{in} = 12 V)

OPERATION DESCRIPTION

Overview

The NCP3231B is a 1 MHz, high efficiency, high current PWM synchronous buck converter. It operates with a single supply voltage from 4.5 to 18 V and can provide output current as high as 25 A. NCP3231B utilizes voltage mode with voltage feed-forward control to respond instantly to Vin changes and provide for easier compensation over the supply range of the converter. The device also includes pre-bias startup capability to allow monotonic startup in the event of a pre-biased output condition.

Protection features include overcurrent protection (OCP), output over and under voltage protection (OVP, UVP), and power good. The enable function is highly programmable to allow for adjustable startup voltages at higher input voltages. There is also an adjustable soft-start, an over-temperature/over-voltage comparator, and internal thermal shutdown.

Reference Voltage

The NCP3231B incorporates an internal reference that allows output voltages as low as 0.6 V. The tolerance of the internal reference is guaranteed over the entire operating temperature range of the controller. The reference voltage is trimmed using a test configuration that accounts for error amplifier offset and bias currents.

Oscillator Ramp

The ramp waveform is a saw tooth formed at the PWM frequency with a peak-to-peak amplitude of VCC/6.6, offset from GND by typically 0.64 V. The PWM duty cycle is limited to a maximum of 92%, allowing the bootstrap capacitor to charge during each cycle.

Error Amplifier

The error amplifier’s primary function is to regulate the converter’s output voltage using a resistor divider connected from the converter’s output to the FB pin of the controller, as shown in the Applications Schematic. A type III compensation network must be connected around the error amplifier to stabilize the converter. It has a bandwidth of greater than 24 MHz, with open loop gain of at least 60 dB.

Programmable Soft-Start

An external capacitor connected from the SS pin to ground sets up the soft start period, which can limit the start-up inrush current. The soft start period can be programmed based on the Equation 1.

$$t_{SS} = \frac{C_{SS} \times V_{ref}}{I_{SS}} \quad (\text{eq. 1})$$

OCP is the only fault that is active during a soft-start.

Adaptive Non-Overlap Gate Driver

In a synchronous buck converter, a certain dead time is required between the low side drive signal and high side

drive signal to avoid shoot through. During the dead time, the body diode of the low side FET freewheels the current. The body diode has much higher voltage drop than that of the MOSFET, which reduces the efficiency significantly. The longer the body diode conducts, the lower the efficiency. NCP3231B implements adaptive dead time control to minimize the dead time, as well as preventing shoot through.

Precision Enable (EN)

The ENABLE block allows the output to be toggled on and off and is a precision analog input.

When the EN voltage exceeds V_EN, the controller will initiate the soft-start sequence as long as the input voltage and sub-regulated voltage have exceeded their UVLO thresholds. V_EN_hyst helps to reject noise and allow the pin to be resistively coupled to the input voltage or sequenced with other rails.

If the EN voltage is held below typically 0.8 V, the NCP3231B enters a deep disable state where the internal bias circuitry is off. As the voltage at EN continues to rise, the Enable comparator and reference are active and provide a more accurate EN threshold. The drivers are held off until the rising voltage at EN crosses V_EN.

An internal 2 μA pullup automatically enables the device when the EN pin is left floating.

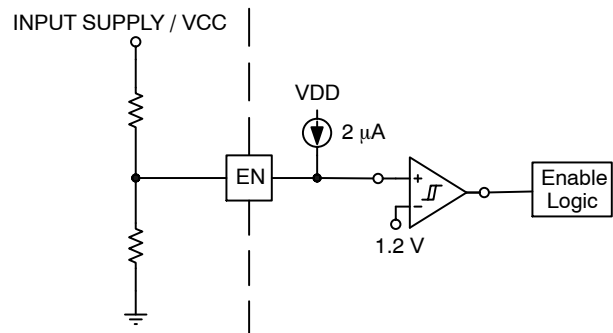


Figure 19. Enable Functional Block Diagram

Pre-bias Startup

In some applications the controller will be required to start switching when its output capacitors are charged anywhere from slightly above 0 V to just below the regulation voltage. This situation occurs for a number of reasons: the converter’s output capacitors may have residual charge on them or the converter’s output may be held up by a low current standby power supply. NCP3231B supports pre-bias start up by holding off switching until the feedback voltage and thus the output voltage rises above the set regulated voltage. If the pre-bias voltage is higher than the set regulated voltage, switching does not occur until the output voltage drops back to the regulation point.

NCP3231B

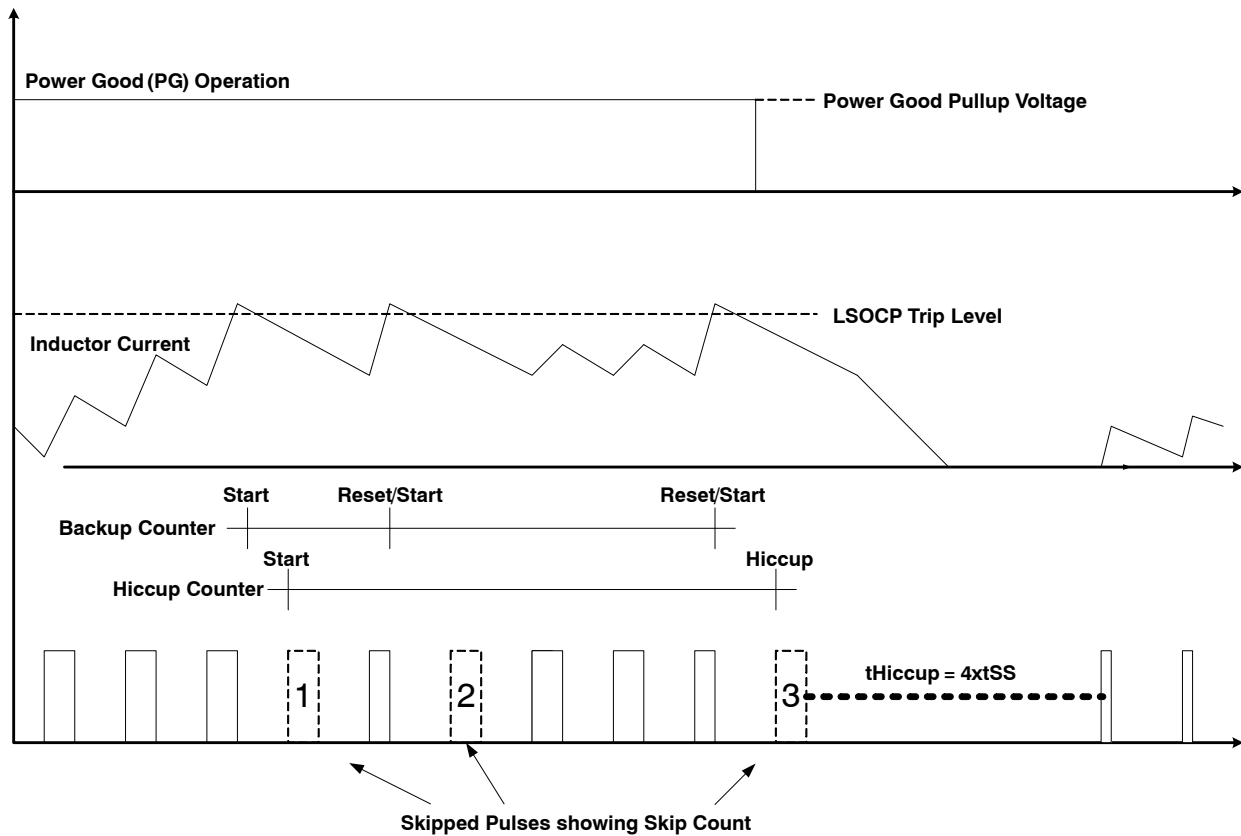


Figure 20. LSOCP Function with Counters and Power Good Shown (exaggerated for informational purposes)

PROTECTION FEATURES

Hiccup Mode

The NCP3231B utilizes hiccup mode for all of its fault conditions. Upon entering hiccup mode after a fault detection, the NCP3231B turns off the high side and low side FET's and PG goes low. It waits for t_{HICCUP} ms before reinitiating a soft-start. t_{HICCUP} is defined as four soft start timeouts (tss). And if the soft-start time tss is set to be less than 1 ms, the hiccup time will be 4 ms. The equation for tss is shown in Equation 1. OCP is the only active fault detection during the hiccup mode soft start.

Over Temperature Comparator (OTS)

The NCP3231B provides an over-temperature shutdown (OTS) comparator with 50 mV hysteresis and a 0.6 V reference in order to remotely sense an external temperature detector or thermistor. When the voltage at the OTS pin rises above 0.6 V, the drivers stop switching and both FET's remain off. When this voltage drops below typically 0.55 V, a new soft-start cycle is generated automatically. Tie the OTS pin to ground if this function is not required.

Over Voltage Protection (OVP)

When the voltage at the FB pin (VFB) is above the OVP threshold for greater than 20 μ s (typical), an OVP fault is set. The high side FET (HSFET) will turn off and the low side FET (LSFET) will turn on. The open-drain PG pull down

will turn on at that point as well, thus pulling PG low. Once VFB has fallen below the Undervoltage Protection Threshold (UVP), the device will enter hiccup mode.

Under Voltage Protection (UVP)

A UVP circuit monitors the VFB voltage to detect an under voltage event. If the VFB voltage is below this threshold for more than 20 μ s, a UVP fault is set and the device will enter hiccup mode.

Over Current Protection (OCP)

The NCP3231B over current protection scheme senses the peak freewheeling current in the low-side FET (LSOCP) after a blanking time of 150 ns as shown in Figure 20. The low-side FET drain-to-source voltage, V_{DS} , is compared against the voltage of a fixed, internal current source, ISET and a user-selected resistor, RSET. Voltage across the low-side FET is sensed from the VSW pin to GND.

After an OCP detection, the NCP3231B keeps the high-side FET off until the Low-side FET current falls below the trip point again and the next clock cycle occurs. An internal OCP counter will count up to 3 consecutive LSOCP events. After the third consecutive count, the device enters hiccup mode.

To prevent nuisance trips, there is a backup counter that will reset the OCP counter after 7 consecutive cycles without an LSOCP trigger. The backup counter is reset and then started again after each OCP trip until the third OCP count as stated above occurs.

Over Current Protection Threshold

The NCP3231B allows the user to adjust the LSOCP threshold with an external resistor, RSET. This resistor, along with an internal temperature compensated current source, ISET, sets the current limit reference voltage for the LSOCP comparator.

Internally, a current sense circuit samples the voltage from VSW to GND. This voltage is then multiplied by a factor of 2 and compared against the ISET*RSET voltage threshold. The basic design equation for LSOCP trip point selection is:

$$\begin{aligned} RSET &= \frac{3 \times (i_{Load} + 0.5i_{Lpk-pk}) \times R_{dson}}{ISET} \quad (\text{eq. 2}) \\ &= 3 \times 44 \times (i_{Load} + 0.5i_{Lpk-pk}) \end{aligned}$$

In this equation, i_{Load} is the over current protection point of the load current, i_{Lpk-pk} is the peak to peak value of inductor current, and for example, when input voltage is 12 V, output voltage is 3.3 V, switching frequency is 1 MHz and inductor value is 330 nH, the peak to peak value of inductor current is 14.5 A. ISET is temperature compensated current source proportional to the on-resistance of LS MOSFET, R_{dson} , the ratio of R_{dson} to ISET is about 44.

In case RSET is not connected, the device switches the OCP threshold to a fixed 300 mV value: an internal safety clamp on ISET is triggered as soon as the ISET voltage reaches 600 mV, enabling the 300 mV fixed threshold.

Thermal Shutdown (TSD)

The NCP3231B protects itself from overheating with an internal thermal monitoring circuit. If the junction temperature exceeds the thermal shutdown threshold both the upper and lower MOSFETs will be shut OFF. Once the temperature drops below the falling hysteresis threshold, the voltage at the COMP pin will be pulled below the ramp valley voltage and a soft-start will be initiated.

Power Good Monitor (PG)

NCP3231B monitors the output voltage and signal when the output is out of regulation or during a non-regulated pre-bias condition, or fault condition. When the output voltage is within the OVP and UVP thresholds, the power

good pin is a high impedance output. If the NCP3231B detects an OCP, OVP, UVP, OTS, TSD or is in soft start, it pulls PG pin low. The PG pin is an open drain 10 mA pull down output.

Layout Guidelines

When laying out a power PCB for the NCP3231B there are several general key points and special key points to consider:

General Layout Guide: these are the common techniques for high frequency high power board layout design.

Base component placement: High current path components should be placed to keep the current path as tight as possible. Placement of components on the bottom of the board such as input or output decoupling can add loop inductance.

Ground Return for Power and Signals: Solid, uninterrupted ground planes must be present and adjacent to the high current path.

Copper Shapes on Component Layers: Large copper planes on one or multiple layers with adequate vias will increase thermal transfer, reduce copper conduction losses, and minimize loop inductance. Greater than 20 A designs require 2~3 layer shapes or more, increasing the number of layers will only improvement performance.

Via Placement for Power and Ground: Place enough vias to adequately connect outer layers to inner layers for thermal transfer and to minimize added inductance in layer transition. Multiple vias should be placed near important components like input ceramics and output ceramic capacitors.

Key Signal Routes: Do not route sensitive signals, such as FB near or under noisy nets such as the switch node VSW and BST node, to reduce noise coupling effects on the sensitive lines.

Special Layout Guide: please pay attention to the special requirement of layout guide.

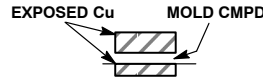
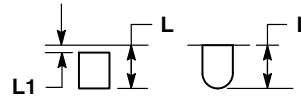
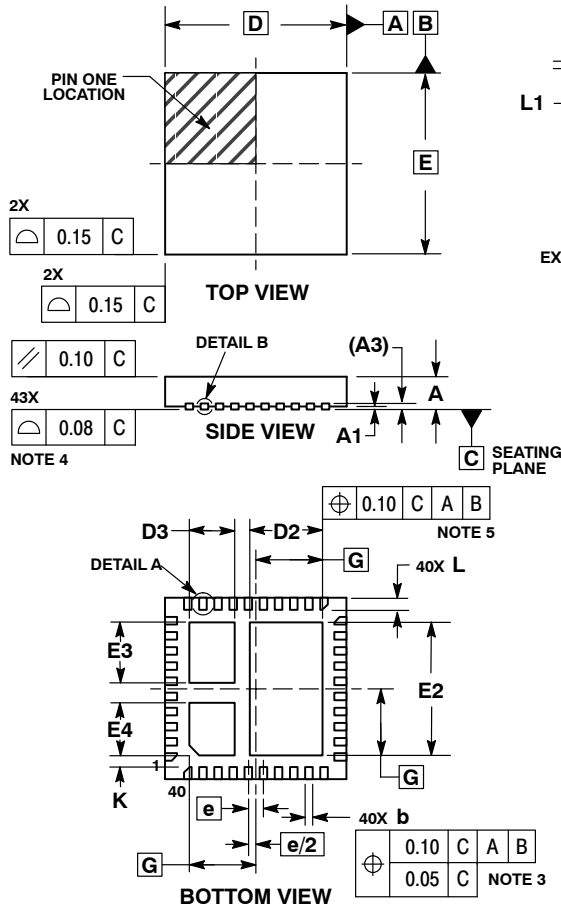
To improve the High-side OCP accuracy, users should connect VCC and VIN directly and do not place any type of filter or resistor between these two pins.

To improve the Low-side OCP accuracy, users should use single ground connection instead of separate analog ground and power ground. Make sure that the inner layers (at least 2nd layer, 3rd layer and 4th layer) are dedicated for ground plane. Do not use other copper planes to cut or interrupt the shape of ground plane, which may add more parasitic components to affect the sensing accuracy.

NCP3231B

PACKAGE DIMENSIONS

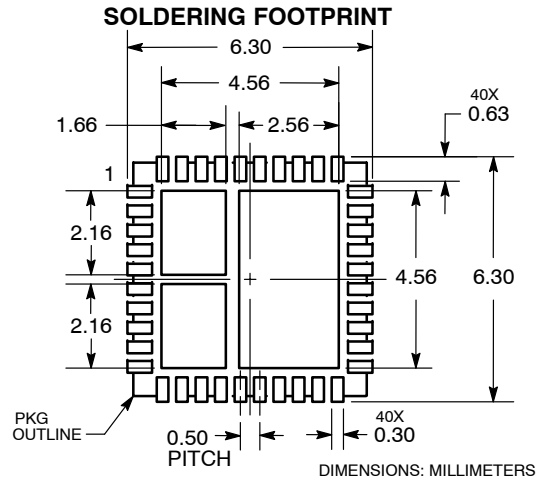
QFN40 6x6, 0.5P
CASE 485CM
ISSUE O



NOTES:

1. DIMENSIONING AND TOLERANCING PER ASME Y14.5M, 1994.
2. CONTROLLING DIMENSIONS: MILLIMETERS.
3. DIMENSION b APPLIES TO PLATED TERMINAL AND IS MEASURED BETWEEN 0.15 AND 0.30mm FROM TERMINAL
4. COPLANARITY APPLIES TO THE EXPOSED PAD AS WELL AS THE TERMINALS.
5. POSITIONAL TOLERANCE APPLIES TO ALL THREE EXPOSED PADS.

| MILLIMETERS | | |
|-------------|------|------|
| DIM | MIN | MAX |
| A | 0.80 | 1.00 |
| A1 | --- | 0.05 |
| A3 | 0.20 | REF |
| b | 0.18 | 0.30 |
| D | 6.00 | BSC |
| D2 | 2.30 | 2.50 |
| D3 | 1.40 | 1.60 |
| E | 6.00 | BSC |
| E2 | 4.30 | 4.50 |
| E3 | 1.90 | 2.10 |
| E4 | 1.64 | 1.84 |
| e | 0.50 | BSC |
| G | 2.20 | BSC |
| K | 0.20 | --- |
| L | 0.30 | 0.50 |
| L1 | --- | 0.15 |



ON Semiconductor and are trademarks of Semiconductor Components Industries, LLC dba ON Semiconductor or its subsidiaries in the United States and/or other countries. ON Semiconductor owns the rights to a number of patents, trademarks, copyrights, trade secrets, and other intellectual property. A listing of ON Semiconductor's product/patent coverage may be accessed at www.onsemi.com/site/pdf/Patent-Marketing.pdf. ON Semiconductor reserves the right to make changes without further notice to any products herein. ON Semiconductor makes no warranty, representation or guarantee regarding the suitability of its products for any particular purpose, nor does ON Semiconductor assume any liability arising out of the application or use of any product or circuit, and specifically disclaims any and all liability, including without limitation special, consequential or incidental damages. Buyer is responsible for its products and applications using ON Semiconductor products, including compliance with all laws, regulations and safety requirements or standards, regardless of any support or applications information provided by ON Semiconductor. "Typical" parameters which may be provided in ON Semiconductor data sheets and/or specifications can and do vary in different applications and actual performance may vary over time. All operating parameters, including "Typicals" must be validated for each customer application by customer's technical experts. ON Semiconductor does not convey any license under its patent rights nor the rights of others. ON Semiconductor products are not designed, intended, or authorized for use as a critical component in life support systems or any FDA Class 3 medical devices or medical devices with a same or similar classification in a foreign jurisdiction or any devices intended for implantation in the human body. Should Buyer purchase or use ON Semiconductor products for any such unintended or unauthorized application, Buyer shall indemnify and hold ON Semiconductor and its officers, employees, subsidiaries, affiliates, and distributors harmless against all claims, costs, damages, and expenses, and reasonable attorney fees arising out of, directly or indirectly, any claim of personal injury or death associated with such unintended or unauthorized use, even if such claim alleges that ON Semiconductor was negligent regarding the design or manufacture of the part. ON Semiconductor is an Equal Opportunity/Affirmative Action Employer. This literature is subject to all applicable copyright laws and is not for resale in any manner.

PUBLICATION ORDERING INFORMATION

LITERATURE FULFILLMENT:

Literature Distribution Center for ON Semiconductor
19521 E. 32nd Pkwy, Aurora, Colorado 80011 USA
Phone: 303-675-2175 or 800-344-3860 Toll Free USA/Canada
Fax: 303-675-2176 or 800-344-3867 Toll Free USA/Canada
Email: orderlit@onsemi.com

N. American Technical Support: 800-282-9855 Toll Free
USA/Canada
Europe, Middle East and Africa Technical Support:
Phone: 421 33 790 2910

ON Semiconductor Website: www.onsemi.com

Order Literature: <http://www.onsemi.com/orderlit>

For additional information, please contact your local Sales Representative