

Type APR58-UL Automotive Blade Fuse Standard - Voltage 58V w/ UR Approval



www.optifuse.com

(619) 593-5050

Specifications:

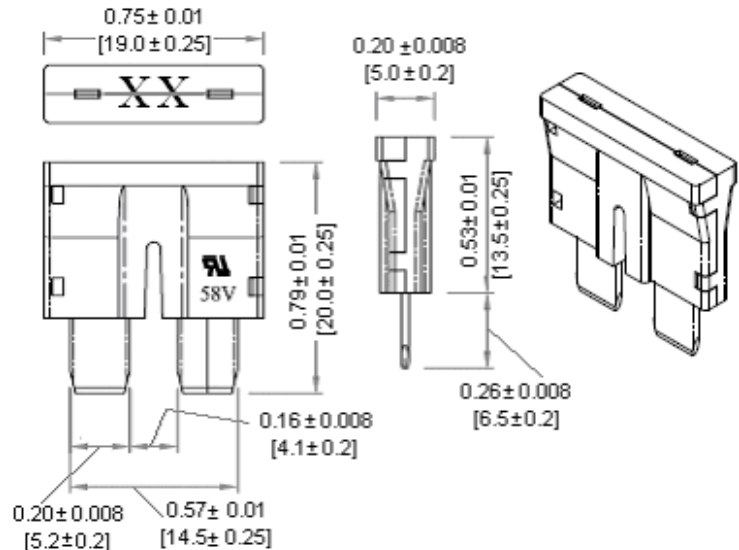
- Voltage: 58V DC
- Amperage: 500mA, 1A, 2A, 3A, 4A, 5A, 6A, 7A, 7.5A, 8A, 10A, 12A, 15A, 16A, 20A, 25A, 30A, 35A, 40A
- Material:
 - Body – Nylon 66 with 30% Fiber Glass UL94V-0
 - Terminals - Copper Alloy, Tin plated
- Interrupt Rating: 1000A @ 58VDC

Standards: UL248-1 Special Purpose Fuse

Agency Standards and Listings:



Mechanical Dimensions: Inches [mm]



Time Characteristics:

% of Rated Current	Min Hold Time	Max Hold Time
100%	Carry (35A~40A)	---
110%	Carry (500mA~30A)	---
135%	750ms	3600s
200%	150ms	60s
350%	40ms	1s
600%	10ms	100ms

Part Number	Amperage	Body Color	Voltage Drop (mV)	Cold Resistance	I ² T
APR58-UL-500MA	500mA	Dark Blue	150	290 mΩ	0.3
APR58-UL-1A	1A	Black	125	100 mΩ	2.3
APR58-UL-2A	2A	Gray	120	43.0 mΩ	9.6
APR58-UL-3A	3A	Violet	110	30.0 mΩ	16.2
APR58-UL-4A	4A	Pink	110	22.0 mΩ	36.8
APR58-UL-5A	5A	Tan	110	16.0 mΩ	62.5
APR58-UL-6A	6A	Light Red	---	---	---
APR58-UL-7A	7A	Light Orange	---	---	---
APR58-UL-7.5A	7.5A	Brown	90	9.00 mΩ	73.1
APR58-UL-8A	8A	Light Yellow	---	---	---
APR58-UL-10A	10A	Red	90	6.50 mΩ	210
APR58-UL-12A	12A	Light Pink	---	---	---
APR58-UL-15A	15A	Blue	90	4.00 mΩ	270
APR58-UL-16A	16A	Light Green	---	---	---
APR58-UL-20A	20A	Yellow	90	3.00 mΩ	360
APR58-UL-25A	25A	Clear	80	1.90 mΩ	813
APR58-UL-30A	30A	Green	80	1.65 mΩ	1530
APR58-UL-35A	35A	Blue Green	70	1.45 mΩ	1960
APR58-UL-40A	40A	Orange	70	1.25 mΩ	3200

Warning:



-Operation beyond the specified maximum ratings or improper use may result in damage and possible electrical arcing and/or flame.

-Avoid contact of device with chemical solvent. Prolonged contact will damage the device performance.

Note: All specifications subject to change without notice.

Rev A 11/2018 - Page: 1/2
Code G02-01H

**Type APR58-UL
Automotive Blade Fuse
Standard - Voltage 58V
w/ UR Approval**



www.optifuse.com

(619) 593-5050

Time Current Curve Graph

