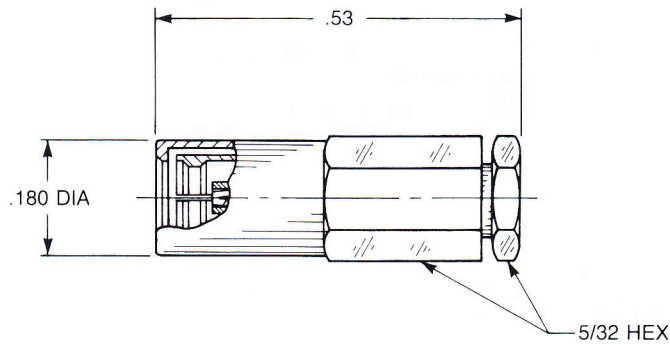


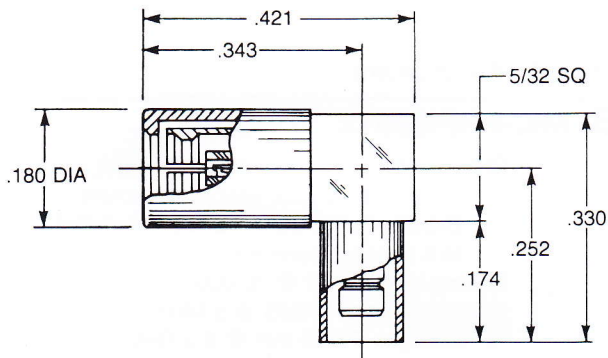
Straight Plug

Crimp type for flexible cable:
7202-1572-0XX



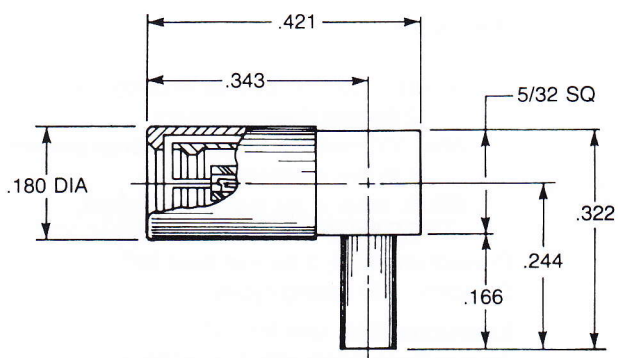
Straight Plug

Solder type for semi-rigid:
7202-1542-0XX



Right Angle Plug

Crimp type for flexible cable:
7405-1521-0XX



Right Angle Plug

Solder type for semi-rigid:
7405-1561-0XX

Substitute the appropriate cable group for 'XX':

| | | | |
|----|------------------------------------------------------------|----|----------------------------------------|
| 02 | RG178, RG196, M17/93, M17/169 | 10 | .085" semi-rigid, RG405, M17/133 |
| 03 | RG174, RG179, RG316, M17/113, M17/119, M17/172, M17/173 | 11 | .047" semi-rigid, M17/151 |
| 05 | RG178DS, RG196DS | 19 | RG174DS, RG316DS, M17/152, Times RD316 |
| | | 21 | .056" semi-rigid |