

# MAXIM

## ±15kV ESD-Protected, EMC-Compliant, 230kbps RS-232 Serial Port for Modems

### General Description

The MAX3186 is a complete DCE RS-232 serial port designed to meet the stringent ESD requirements of the European community. All transmitter outputs and receiver inputs are protected to ±15kV using IEC 1000-4-2 Air-Gap Discharge, ±8kV using IEC 1000-4-2 Contact Discharge, and ±15kV using the Human Body Model.

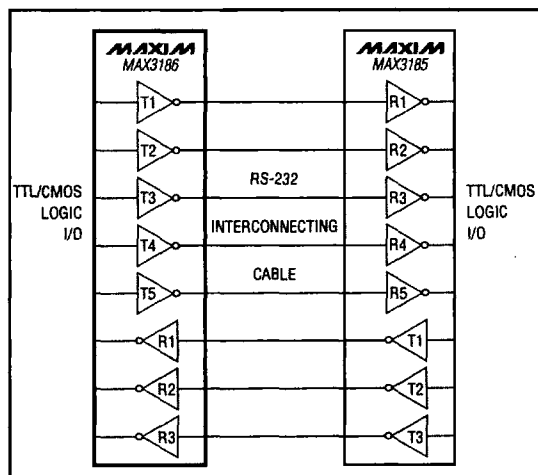
The MAX3186 has five RS-232 transmitters, three RS-232 receivers, and no charge pump, optimizing it for operation in modem applications. It is guaranteed to run at data rates up to 230kbps, providing compatibility with popular software for communicating with personal computers. Power-supply current is less than 300µA for I<sub>DD</sub> and I<sub>SS</sub>, and less than 1mA for I<sub>CC</sub>.

The MAX3186 is available in an SO package and in the tiny SSOP that further reduces board space.

### Applications

Modems  
ISDN Modems  
Instruments  
Equipment Meeting IEC1000-4-2

### Typical Operating Circuit



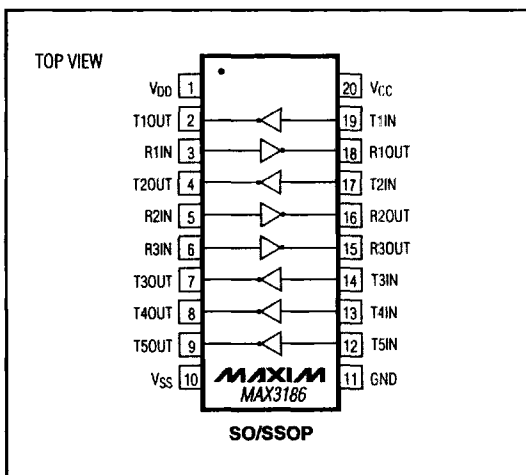
### Features

- ◆ Enhanced ESD Protection:
  - ±15kV—Human Body Model
  - ±8kV—IEC1000-4-2, Contact Discharge
  - ±15kV—IEC1000-4-2, Air-Gap Discharge
- ◆ Latchup Free During an ESD Event
- ◆ 20-Pin SSOP or SO Packages
- ◆ Guaranteed 230kbps Data Rate
- ◆ Flow-Through Pinout
- ◆ Complete DCE Serial Port

### Ordering Information

PART	TEMP. RANGE	PIN-PACKAGE
MAX3186CWP	0°C to +70°C	20 SO
MAX3186CAP	0°C to +70°C	20 SSOP
MAX3186EWP	-40°C to +85°C	20 SO
MAX3186EAP	-40°C to +85°C	20 SSOP

### Pin Configuration



MAX3186

2

# ±15kV ESD-Protected, EMC-Compliant, 230kbps RS-232 Serial Port for Modems

**MAX3186**

## ABSOLUTE MAXIMUM RATINGS

VCC .....	-0.3V to +7V
VDD .....	-0.3V to +14V
VSS .....	+0.3V to -14V
Input Voltages	
T <sub>IN</sub> .....	-0.3V to +6V
R <sub>IN</sub> .....	±30V
Output Voltages	
T <sub>OUT</sub> .....	±15V
R <sub>OUT</sub> .....	-0.3V to (VCC + 0.3V)
Short-Circuit Duration	
T <sub>OUT</sub> (one at a time) .....	Continuous
R <sub>OUT</sub> (one at a time) .....	Continuous

Continuous Power Dissipation (T <sub>A</sub> = +70°C)	
Wide SO (derate 10.00mW/°C above +70°C) .....	800mW
SSOP (derate 8.00mW/°C above +70°C) .....	640mW
Operating Temperature Ranges	
MAX3186C_P .....	0°C to +70°C
MAX3186E_P .....	-40°C to +85°C
Storage Temperature Range .....	-65°C to +160°C
Lead Temperature (soldering, 10sec) .....	+300°C

Stresses beyond those listed under "Absolute Maximum Ratings" may cause permanent damage to the device. These are stress ratings only, and functional operation of the device at these or any other conditions beyond those indicated in the operational sections of the specifications is not implied. Exposure to absolute maximum rating conditions for extended periods may affect device reliability.

## ELECTRICAL CHARACTERISTICS

(VCC = +4.5V to +5.5V, VDD = +10.8V to +13.2V, VSS = -10.8V to -13.2V, T<sub>A</sub> = T<sub>MIN</sub> to T<sub>MAX</sub>, unless otherwise noted. Typical values are at T<sub>A</sub> = +25°C.)

PARAMETER	SYMBOL	CONDITIONS	MIN	TYP	MAX	UNITS
<b>DC CHARACTERISTICS</b>						
Operating Voltage Range	VCC		4.5		5.5	V
	VDD		10.8		13.2	
	VSS		-13.2		-10.8	
Supply Current	I <sub>CC</sub>	No load		230	1000	μA
	I <sub>DD</sub>	No load		280	750	
	I <sub>SS</sub>	No load		280	750	
<b>LOGIC</b>						
Input Logic Threshold Low	V <sub>ILT</sub>	T <sub>IN</sub>			0.8	V
Input Logic Threshold High	V <sub>IHT</sub>	T <sub>IN</sub>	2.0			V
Input Leakage Current				0.01	1	μA
Output Voltage Low	V <sub>OLR</sub>	R <sub>OUT</sub> ; I <sub>SINK</sub> = 3.2mA			0.4	V
Output Voltage High	V <sub>OHR</sub>	R <sub>OUT</sub> ; I <sub>SOURCE</sub> = 1mA	VCC - 0.6			V
<b>TRANSMITTER OUTPUTS</b>						
Output Voltage Swing		V <sub>DD</sub> = 7.0V, V <sub>SS</sub> = -7.0V, R <sub>L</sub> = 3kΩ	±5.0			V
		V <sub>DD</sub> = 12V, V <sub>SS</sub> = -12V, R <sub>L</sub> = 3kΩ	±9.5			
Transmitter Output Resistance		VCC = VDD = VSS = 0V, V <sub>T_OUT</sub> = ±2V	300			Ω
RS-232 Output Short-Circuit Current				±35	±60	mA
<b>RECEIVER INPUTS</b>						
Receiver Input Voltage Operating Range			-25		25	V
RS-232 Input Threshold Low			0.75			V
RS-232 Input Threshold High					2.4	V
RS-232 Input Hysteresis				0.65		V
RS-232 Input Resistance			3	5	7	kΩ
Receiver Output Short-Circuit Current				±10		mA

# ±15kV ESD-Protected, EMC-Compliant, 230kbps RS-232 Serial Port for Modems

**MAX3186**

## ELECTRICAL CHARACTERISTICS (continued)

(VCC = +4.5V to +5.5V, VDD = +10.8V to +13.2V, VSS = -10.8V to -13.2V, TA = TMIN to TMAX, unless otherwise noted. Typical values are at TA = +25°C.)

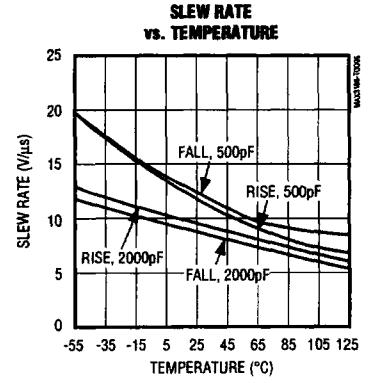
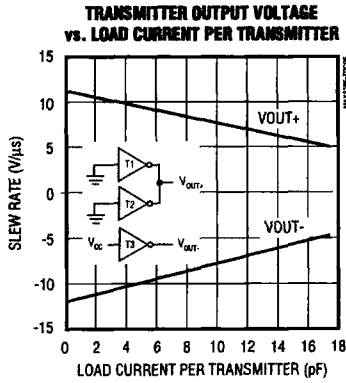
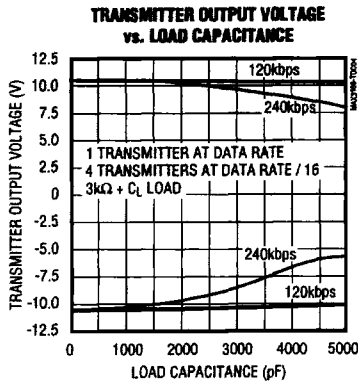
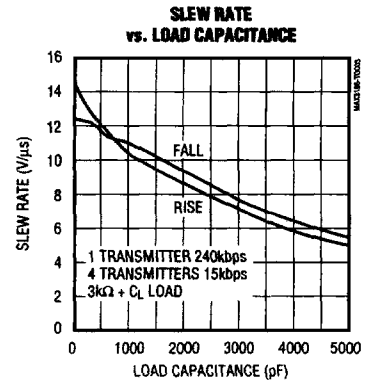
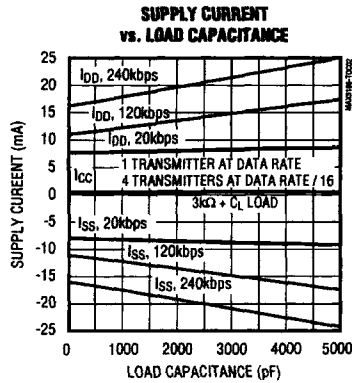
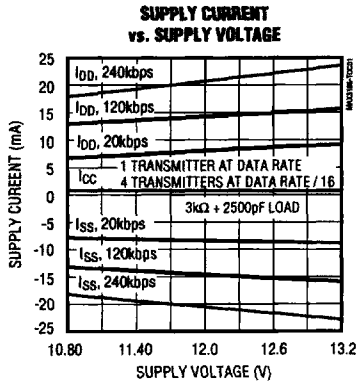
PARAMETER	SYMBOL	CONDITIONS		MIN	TYP	MAX	UNITS
<b>ESD CHARACTERISTICS</b>							
ESD Protection		Human Body Model				±15	kV
		IEC1000-4-2 (Contact Discharge)				±8	
		IEC1000-4-2 (Air-Gap Discharge)				±15	
<b>TIMING CHARACTERISTICS</b>							
Transmitter Output Propagation Delay, Low to High	tPLHT	VDD = 12V, VSS = -12V, RL = 3kΩ, CL = 1000pF, TA = +25°C				4	μs
Transmitter Output Propagation Delay, High to Low	tPHLT	VDD = 12V, VSS = -12V, RL = 3kΩ, CL = 1000pF, TA = +25°C				4	μs
Transmitter Propagation Delay Skew,  tPLHT - tPHLT	tsKT	VDD = 12V, VSS = -12V, RL = 3kΩ, CL = 1000pF, TA = +25°C				0.4	μs
Transition Output Slew Rate	SR	VDD = 12V, VSS = -12V, RL = 3kΩ to 7kΩ, measured from +3V to -3V or -3V to +3V, Figure 3, TA = +25°C	CL = 150pF to 2500pF	4			V/μs
			CL = 50pF to 1000pF	8			
Receiver Output Propagation Delay, Low to High	tPLHR	VCC = 5V, CL = 50pF, TA = +25°C				4.0	μs
Receiver Output Propagation Delay, High to Low	tPHLR	VCC = 5V, CL = 50pF, TA = +25°C				4.0	μs
Receiver Propagation Delay Skew,  tPLHR - tPHLR	tsKR	VCC = 5V, CL = 50pF, TA = +25°C				0.4	μs
Guaranteed Data Rate	DR	VCC = 5V, VDD = 12V, VSS = -12V, RL = 3kΩ to 7kΩ, TA = +25°C	CL = 50pF to 2500pF	120		kbps	
			CL = 50pF to 1000pF	230			

**2**

# **±15kV ESD-Protected, EMC-Compliant, 230kbps RS-232 Serial Port for Modems**

## **Typical Operating Characteristics**

(V<sub>CC</sub> = +5.0V, V<sub>DD</sub> = +12.0V, V<sub>SS</sub> = -12.0V, T<sub>A</sub> = +25°C, unless otherwise noted.)



# ±15kV ESD-Protected, EMC-Compliant, 230kbps RS-232 Serial Port for Modems

MAX3186

## Pin Description

PIN	NAME	FUNCTION
1	V <sub>DD</sub>	Supply-Voltage Input, +10.8V to +13.2V
2, 4, 7, 8, 9	T1OUT-T5OUT	Transmitter Outputs, swing between V <sub>DD</sub> and V <sub>SS</sub>
3, 5, 6	R1IN, R2IN, R3IN	Receiver Inputs
10	V <sub>SS</sub>	Supply-Voltage Input, -10.8V to -13.2V
11	GND	Ground. Connect to system ground.
12, 13, 14, 17, 19	T5IN-T1IN	Transmitter Inputs
15, 16, 18	R3OUT, R2OUT, R1OUT	Receiver Outputs, swing between GND and V <sub>CC</sub>
20	V <sub>CC</sub>	Supply-Voltage Input, +4.5V to +5.5V

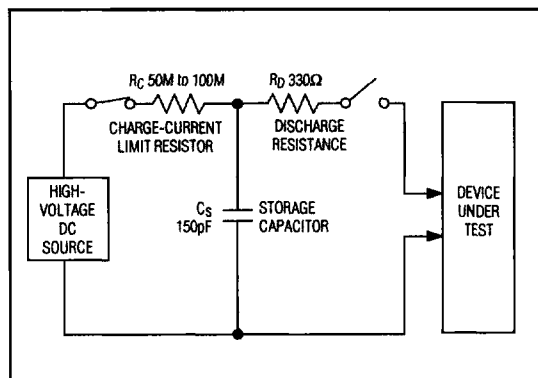


Figure 1a. IEC1000-4-2 ESD Test Model

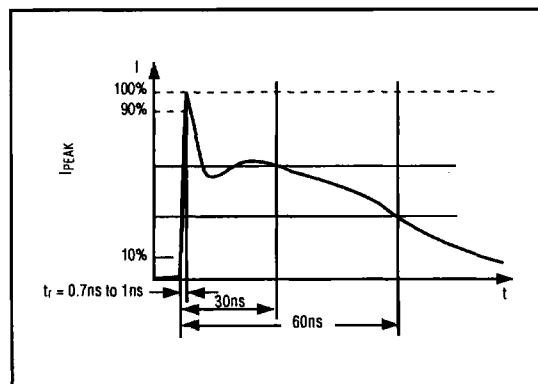


Figure 1b. IEC1000-4-2 ESD Generator Current Waveform

## Detailed Description

### ±15kV ESD Protection

As with all Maxim devices, ESD-protection structures are incorporated on all pins to protect against electrostatic discharges encountered during handling and assembly. The MAX3186 driver outputs and receiver inputs have extra protection against static electricity found in normal operation. Maxim's engineers developed state-of-the-art structures to protect these pins against ESD of ±15kV, without damage. After an ESD event, the MAX3186 continues working without latchup.

ESD protection can be tested in several ways. The transmitter outputs and the receiver inputs are characterized for protection to the following:

- 1) ±15kV using the Human Body Model
- 2) ±8kV using the Contact-Discharge Method specified in IEC1000-4-2 (formerly IEC801-2)
- 3) ±15kV using the Air-Gap Method specified in IEC1000-4-2 (formerly IEC801-2)

### ESD Test Conditions

ESD performance depends on a number of conditions. Contact Maxim for a reliability report that documents test setup, methodology, and results.

2

## ±15kV ESD-Protected, EMC-Compliant, 230kbps RS-232 Serial Port for Modems

### Human Body Model

Figure 2a shows the Human Body Model, and Figure 2b shows the current waveform it generates when discharged into a low impedance. This model consists of a 100pF capacitor charged to the ESD voltage of interest, which is then discharged into the device through a 1.5kΩ resistor.

### IEC1000-4-2

The IEC1000-4-2 standard covers ESD testing and performance of finished equipment; it does not specifically refer to integrated circuits. The MAX3186 helps you design equipment that meets Level 4 (the highest level) of IEC1000-4-2, without additional ESD-protection components.

The main difference between tests done using the Human Body Model and IEC1000-4-2 is higher peak current in IEC1000-4-2. Because series resistance is lower in the IEC1000-4-2 ESD test model (Figure 1a), the ESD withstand voltage measured to this standard is generally lower than measured using the Human Body Model. Figure 1b shows the current waveform for the ±8kV IEC1000-4-2 Level 4 ESD Contact-Discharge test.

The Air-Gap test involves approaching the device with a charge probe. The Contact-Discharge method connects the probe to the device before the probe is energized.

### Machine Model

The Machine Model for ESD testing uses a 200pF storage capacitor and zero-discharge resistance. It mimics the stress caused by handling during manufacturing and assembly. Of course, all pins (not just RS-232 inputs and outputs) require this protection during manufacturing. Therefore, the Machine Model is less relevant to the I/O ports than are the Human Body Model and IEC1000-4-2.

### Applications Information

Use proper layout to ensure other devices on your board are not damaged in an ESD strike. Currents as high as 60A can instantaneously pass into the ground, so be sure to minimize the ground-lead return path to the power supply. A separate return path to the power supply is recommended. Trace widths should be greater than 40 mils. Bypass VCC, VDD, and VSS with 0.1μF capacitors as close to the part as possible to ensure maximum ESD protection.

Tie any transmitter inputs to GND or VCC. No external protection diodes are needed because the MAX3186 is not sensitive to power-supply sequencing.

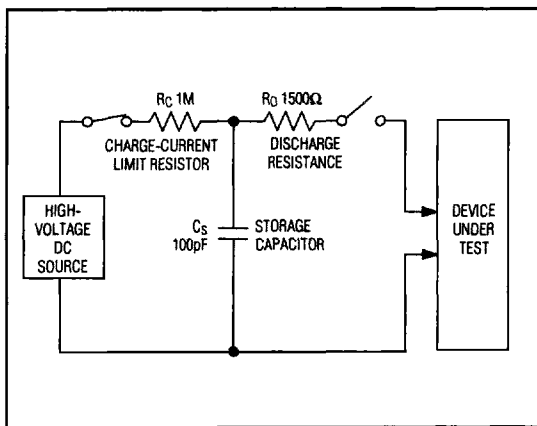


Figure 2a. Human Body ESD Test Model

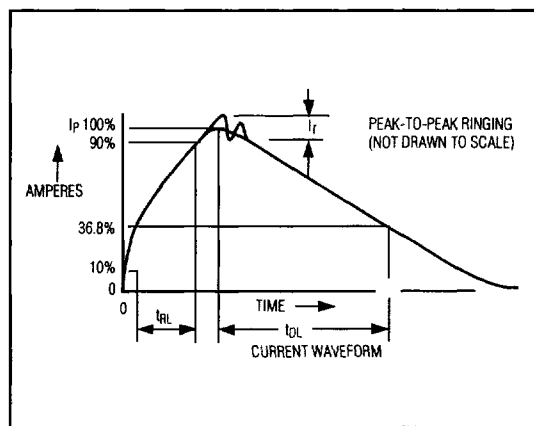


Figure 2b. Human Body Model Current Waveform

# ±15kV ESD-Protected, EMC-Compliant, 230kbps RS-232 Serial Port for Modems

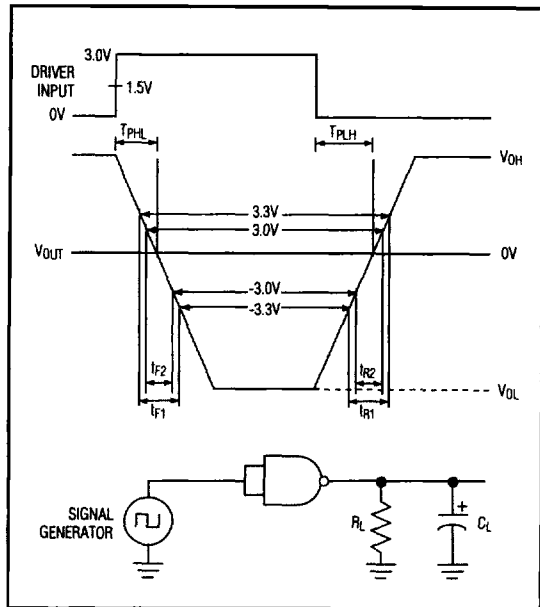
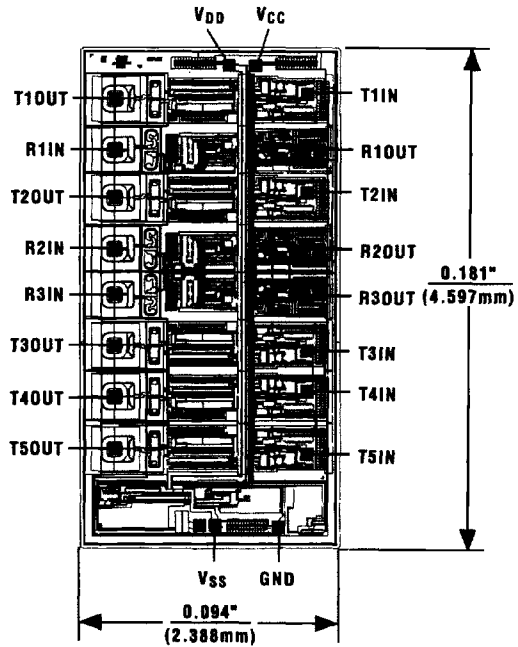


Figure 3. Slew-Rate Test Circuit and Timing Diagram

## Chip Topography



**MAX3186**

**2**

TRANSISTOR COUNT: 195  
SUBSTRATE CONNECTED TO GND