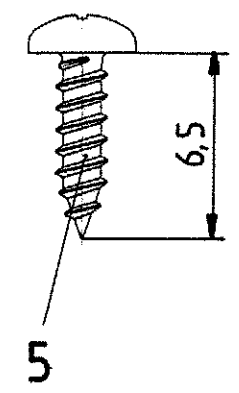
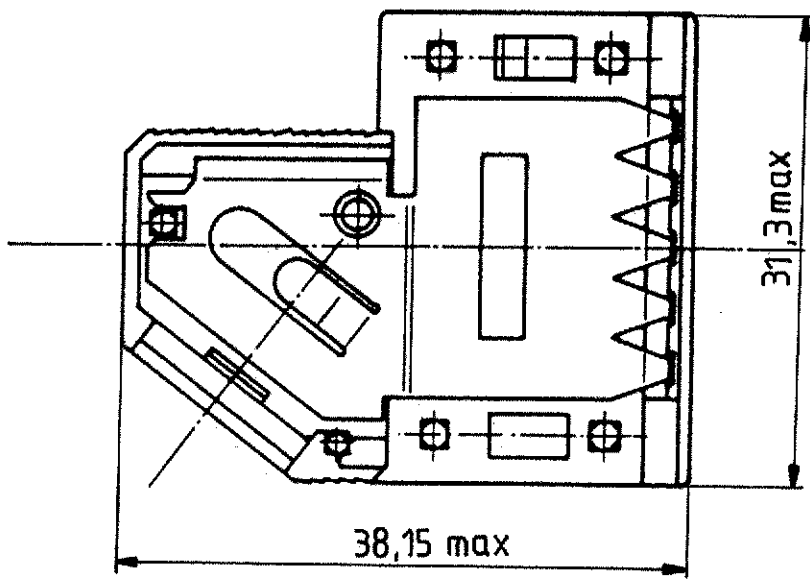
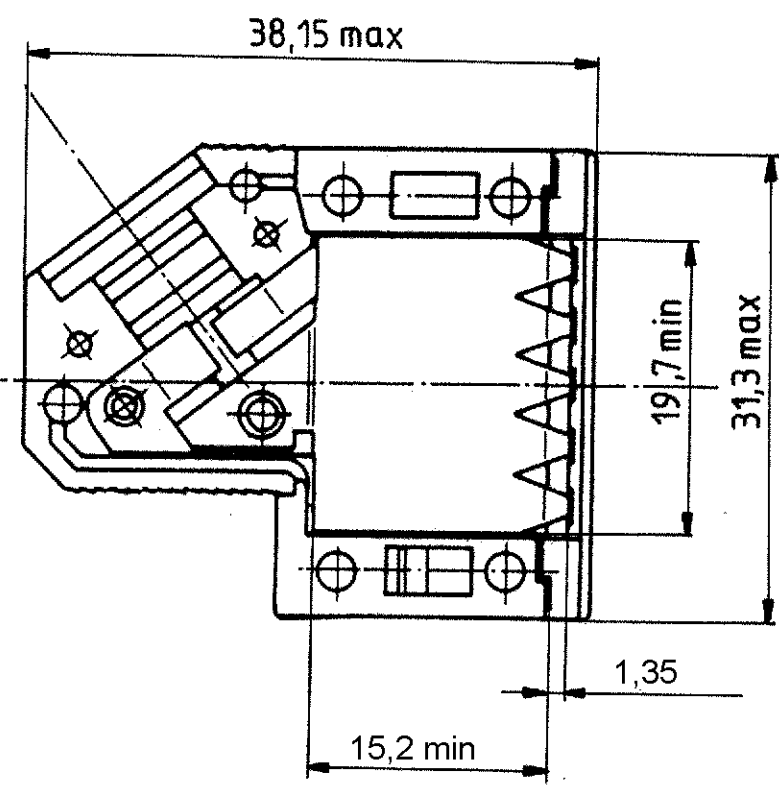
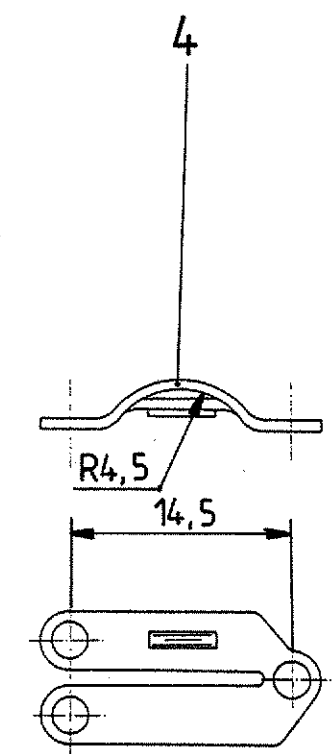
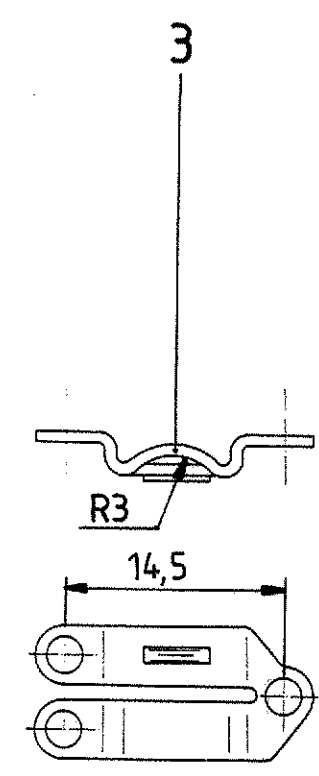
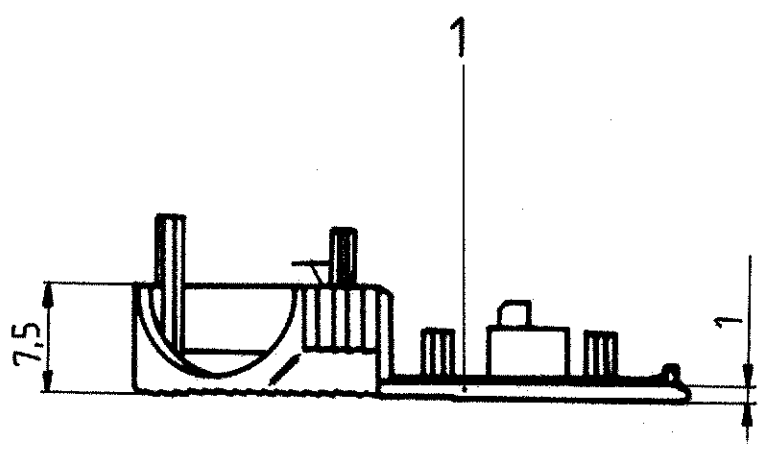
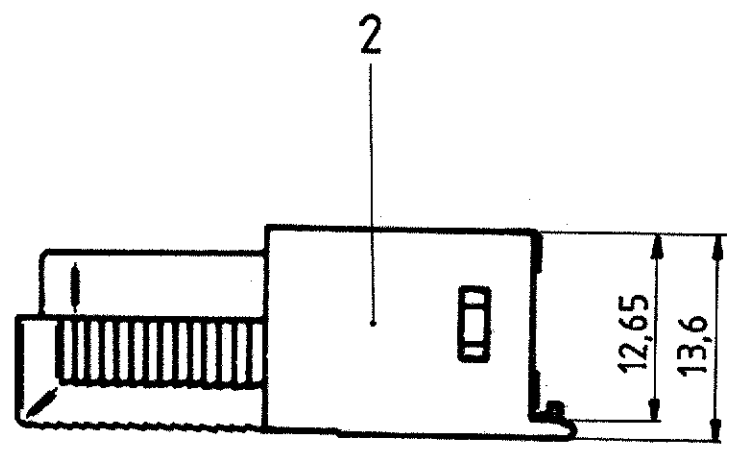


Sin nuestra autorización, queda terminantemente prohibida la reproducción total o parcial de este documento, así como su uso indebido y/o su exhibición o comunicación a terceros. De los infractores se exigirá el correspondiente resarcimiento de daños y perjuicios. Se reserva todos los derechos para el caso de la concesión de patente de invención o el registro de Modelo Industrial.

Weitergabe sowie Vervielfältigung dieser Unterlage, Verwertung und Mitteilung ihres Inhalts sind nicht gestattet, soweit nicht ausdrücklich zugestanden. Zuwiderhandlungen verpflichten zu Schadenersatz. Alle Rechte für den Fall der Patenterteilung oder GM-Eintragung vorbehalten.

Copying of this document, and giving it to others and the use or communication of the contents thereof, are forbidden without express authority. Offenders are liable to the payment of damages. All rights are reserved in the event of the grant of a patent or the registration of a utility model or design.



1 FOR PLASTIC PARTS (POS. 1 AND 2):
 - LENGTHS: DIN 16901/130,
 - ANGLES, FORMS: DIN 7168-m, R,
 FOR METAL PARTS (POS. 3 AND 4): DIN 7168-m,
 FOR SCREWS (POS. 5 AND 6): DIN 7981 F-H.

P/N 9 contacts version: V42254-A6000-G*09

	Maßstab	
	TE Connectivity	
Datum: 30.08.88	D-Sub housing shielded 9 contacts	
Bearb: De Petter		
Geor: PD Com P&SE		
Norm:		

A5	ECR-10-026542	03FEB11	HK	HMR
A4	ECR-10-017904	08DEC10	FRK	KMA
A3	ECR-10-010763	24AUG10	FRK	KMA
Zust:	Mitteilung	Datum:	Name:	

TOLERANCES UNLESS OTHERWISE SPECIFIED:

V42254-A6000-G***-*-27

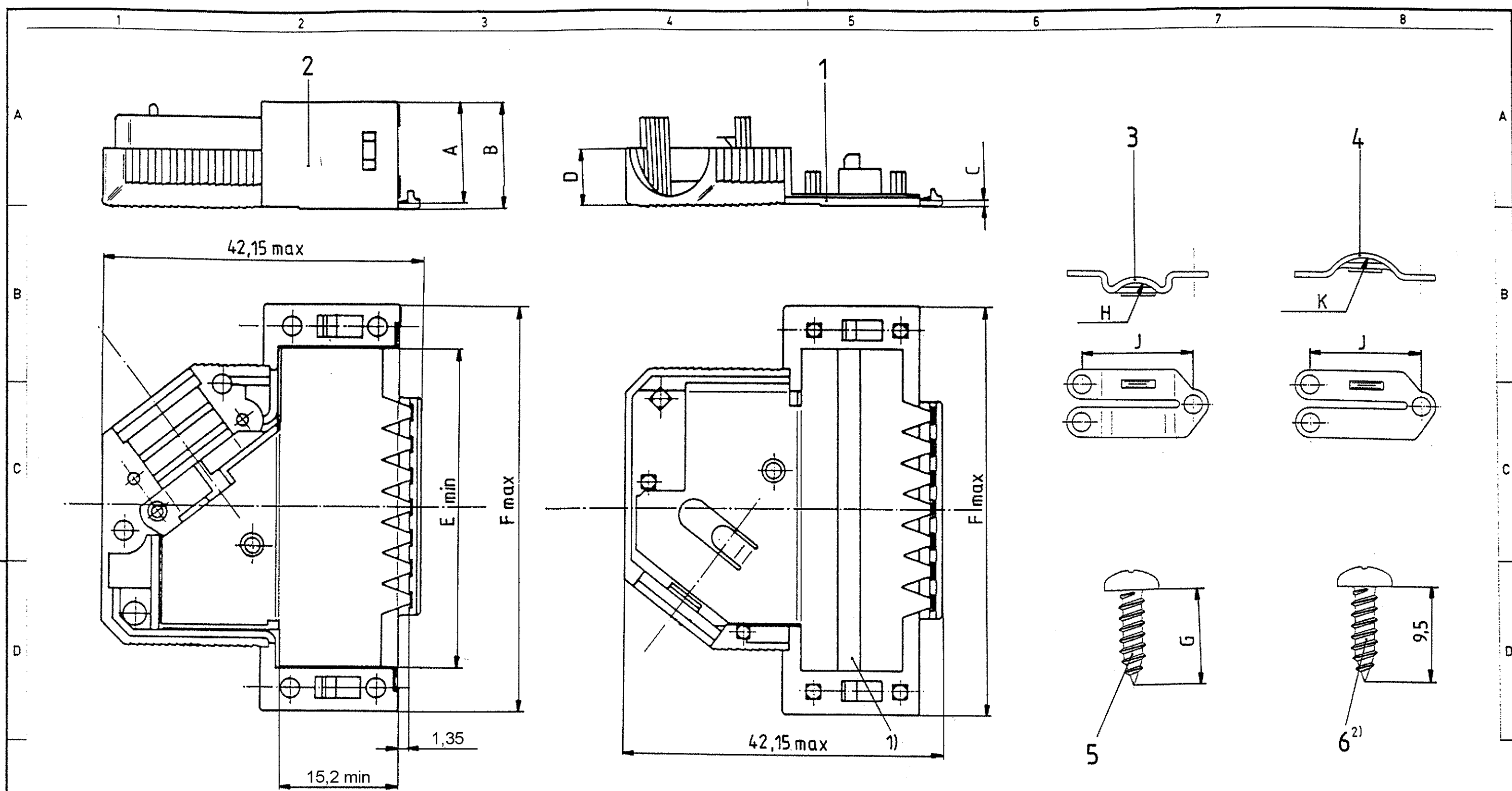
customer drawing number: C 1393738-1

page 1+ of 6

Si questa versione autorizzata, queda formalmente protetta da la riproduzione total o parcial de este documento, así como su uso indebido y/o su exhibición o comunicación a terceros. De los infracciones se exigirá el correspondiente resarcimiento de daños y perjuicios. Se reserva todos los derechos para el caso de la creación de patente de invención o el registro de Modelo Industrial.

Wiedergabe sowie Vervielfältigung dieses Unterbauelementes, sowie die Auslieferung dieses Bauelementes, ist ohne schriftliche Genehmigung der TE Connectivity Corporation, der TE Connectivity (Deutschland) GmbH oder der TE Connectivity (Schweiz) AG, ist ausdrücklich untersagt. In allen Fällen der Patenterteilung oder des Eintrags von Modellen ist die Zustimmung der TE Connectivity Corporation, der TE Connectivity (Deutschland) GmbH oder der TE Connectivity (Schweiz) AG, erforderlich.

Copying of this document and opening it to others and the use or communication of the contents thereof, are forbidden without express authority. Offenders are liable to the payment of damages. All rights are reserved in the event of the grant of a patent or the registration of a utility model or design.



housing		dimension									
P/N	No. of contacts	A	B	C	D	E	F	G	H	J	K
V42254-A6000-											
G × 15	15					28	39,62		R3	14,5	R4,5
G × 25	25	13	14	1	7,5	41,8	53,52	6,5	R4	16	R5,5
G × 37	37					58,25	69,8				
G × 50	50	16	17,5	1,5	9,5	55,78	67,41	9,5	R5,5	20,6	R7

2) only for the 37 contacts version
 1) tape only for the 15 to 37 contacts versions
 drawn is the 25 contacts version

A5 SEE SHEET 1		Zust. Mitteilung Datum Name		 TE TE Connectivity		Maßstab D-Sub housing shielded 15 to 50 contacts		Datum: 30.08.88 Bearb. De Petter Gedr. PD Com P&SE Norm.:		V42254-A6000-G***-27 customer drawing number: C 1393738-1		page 2+ of 6	
TOLERANCES UNLESS OTHERWISE SPECIFIED:													

V 4 2 2 5 4 - A 6 0 0 * - G * * *

Housing type

G plastic housing, shielded

Marking and colour of the housing

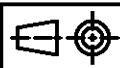
- 1 TE-marking, grey
- 2 without marking, grey
- 3 TE-marking, black
- 4 without marking, black

Packaging	wire diameter	No. of contacts - housing size						
		0	1	2	3	4		
set 1)	9-14,5	4-8	4-6	6-8		4-8	09	9 contact - housing size 1
200 2)	9-12	5-10	5-8	8-10		5-10	15	15 contacts - housing size 2
200 2)	12-14,5	5-11	5-8,5	8,5-1		5-11	25	25 contacts - housing size 3
200 2)		6-11	6-8	8-10	10-11		37	37 contacts - housing size 4
200 2)		9-14,5	9-12	12-14,5	9-14,5	6-11	50	50 contacts - housing size 5

1) per set, in blister
 - 9 and 15 contacts : 25
 - 25, 37 and 50 contacts : 15
 2) loose pieces, in cardboard : 200



TE Connectivity



LOC DIMENSIONS IN MM

SCALE WEIGHT

MATERIAL

DATE 30.08.88

NAME

NAME De Petter

D-Sub Housing

DEP. PD Com P&SE

shielded

EC

TOLERANCE UNLESS SPECIFIED OTHERWISE

DWG NO. SHT. 3+

V42254-A6000-G***-*-27

REV. CHANGE ORDER DATE APP. customer drawing number: C 1393738-1 OF 6

THIS INFORMATION IS CONFIDENTIAL AND PROPRIETARY TO TYCO ELECTRONICS CORPORATION AND ITS WORLDWIDE SUBSIDIARIES AND AFFILIATES. IT MAY NOT BE DISCLOSED TO ANYONE, OTHER THAN TYCO ELECTRONICS PERSONEL, WITHOUT WRITTEN AUTHORIZATION FROM TYCO ELECTRONICS CORPORATION, HARRISBURG, PENNSYLVANIA USA.

PROPRIETARY:

1

2

3

4

A

Active part numbers. Contact Tyco Electronics for other configuration availability

B

Old Part Number	TE Part Number	
V42254-A6000-G109	1393738-1	
V42254-A6000-G115	1393738-2	
V42254-A6000-G125	1393738-3	
V42254-A6000-G137	1393738-4	
V42254-A6000-G150	1393738-5	
V42254-A6000-G209	1393738-6	OBSOLETE
V42254-A6000-G309	1393738-7	
V42254-A6000-G315	1393738-8	OBSOLETE
V42254-A6000-G325	1393738-9	SUPERSEDED BY 1393738-1
V42254-A6001-G109	4-1393738-2	OBSOLETE
V42254-A6001-G125	4-1393738-4	SUPERSEDED BY 6-1393738-1
V42254-A6001-G309	4-1393738-5	SUPERSEDED BY 1-1393739-9
V42254-A6001-G315	4-1393738-6	SUPERSEDED BY 6-1393738-7
V42254-A6002-G109	5-1393738-0	OBSOLETE
V42254-A6002-G125	5-1393738-2	SUPERSEDED BY 6-1393738-1
V42254-A6003-G137	5-1393738-7	SUPERSEDED BY 6-1393738-2
V42254-A6004-G109	5-1393738-9	
V42254-A6004-G115	6-1393738-0	
V42254-A6004-G125	6-1393738-1	
V42254-A6004-G137	6-1393738-2	
V42254-A6004-G150	6-1393738-3	
V42254-A6004-G209	6-1393738-4	SUPERSEDED BY 5-1393738-9
V42254-A6004-G215	6-1393738-5	OBSOLETE
V42254-A6004-G225	6-1393738-6	OBSOLETE
V42254-A6004-G309	1-1393739-9	
V42254-A6004-G315	6-1393738-7	
V42254-A6004-G325	2-1393739-0	OBSOLETE
V42254-A6004-G337	2-1393739-1	SUPERSEDED BY 6-1393738-2
V42254-A6004-G350	2-1393739-2	SUPERSEDED BY 6-1393738-3
V42254-A6004-G409	6-1393738-8	OBSOLETE
V42254-A6004-G415	6-1393738-9	OBSOLETE
V42254-A6004-G437	7-1393738-1	OBSOLETE

C

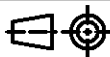
D

E

F



TE Connectivity



LOC DIMENSIONS IN MM
GW

SCALE

WEIGHT

MATERIAL

DATE 30.08.88

NAME De Petter

DEP. PD Com P&SE

EC

TOLERANCE UNLESS SPECIFIED OTHERWISE

NAME

D-Sub Housing

shielded

DWG NO.

V42254-A6000-G***-*-27

SHT. 4+

A5 SEE SHEET 1.

REV. CHANGE ORDER DATE APP. Customer Drawing: C 1393738-1

OF 6

1

2

3

4

THIS INFORMATION IS CONFIDENTIAL AND PROPRIETARY TO TYCO ELECTRONICS CORPORATION AND ITS WORLDWIDE SUBSIDIARIES AND AFFILIATES. IT MAY NOT BE DISCLOSED TO ANYONE, OTHER THAN TYCO ELECTRONICS PERSONEL, WITHOUT WRITTEN AUTHORIZATION FROM TYCO ELECTRONICS CORPORATION, HARRISBURG, PENNSYLVANIA USA.

PROPRIETARY:




PROPRIETARY: THIS INFORMATION IS CONFIDENTIAL AND PROPRIETARY TO TYCO ELECTRONICS CORPORATION AND ITS WORLDWIDE SUBSIDIARIES AND AFFILIATES. IT MAY NOT BE DISCLOSED TO ANYONE, OTHER THAN TYCO ELECTRONICS PERSONNEL, WITHOUT WRITTEN AUTHORIZATION FROM TYCO ELECTRONICS CORPORATION, HARRISBURG PENNSYLVANIA USA

V 4 2 2 5 4 - A 6 1 * * - L 1

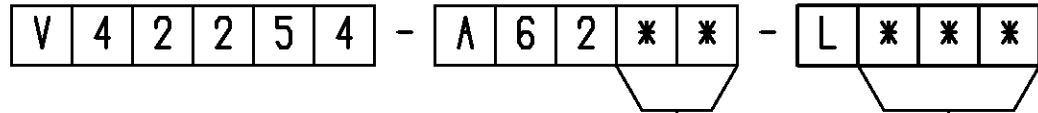
Technical data		
	contact tube outer diameter ±0.1	for shield braiding outer diameter
04	4	2.0 to 2.7
05	5	2.8 to 3.7
06	6	3.8 to 4.7
07	7	4.8 to 5.7
08	8	5.8 to 6.7
09	9	6.8 to 7.7
10	10	7.8 to 8.7
11	11	8.8 to 9.7
12	12	9.8 to 10.7
13	13	10.8 to 11.7
14	14	11.8 to 12.7
15	15	12.8 to 13.7

Active part numbers. Contact Tyco Electronics for other configuration availability

Old Part Number	TE Part Number	
V42254-A6104-L1	3-1393561-2	OBSOLETE
V42254-A6105-L1	3-1393561-3	
V42254-A6106-L1	3-1393561-4	
V42254-A6107-L1	3-1393561-5	
V42254-A6108-L1	3-1393561-6	
V42254-A6109-L1	3-1393561-9	
V42254-A6110-L1	4-1393561-0	
V42254-A6111-L1	4-1393561-1	OBSOLETE
V42254-A6112-L1	4-1393561-2	
V42254-A6113-L1	4-1393561-3	OBSOLETE
V42254-A6114-L1	4-1393561-4	OBSOLETE
V42254-A6115-L1	5-1393502-9	OBSOLETE

APPLICABLE SPEC.:				FINISH			
				DIMENSIONS APPLY		PLATING	
				SCALE		WEIGHT	
				MATERIAL			
				NAME			
DATE 30.08.88				D-Sub Housing			
NAME De Petter				accessories: contact tubes			
DEP. PD Com P&SE				DWG NO.			
EC				V42254-A6000-G***-*-27			
TOLERANCE UNLESS SPECIFIED OTHERWISE				SHT. 5+			
A5	SEE SHEET 1			OF 6			
REV.	CHANGE ORDER	DATE	APP.	customer drawing number: C 1393738-1			

PROPRIETARY: THIS INFORMATION IS CONFIDENTIAL AND PROPRIETARY TO TYCO ELECTRONICS CORPORATION AND ITS WORLDWIDE SUBSIDIARIES AND AFFILIATES. IT MAY NOT BE DISCLOSED TO ANYONE, OTHER THAN TYCO ELECTRONICS PERSONNEL, WITHOUT WRITTEN AUTHORIZATION FROM TYCO ELECTRONICS CORPORATION, HARRISBURG PENNSYLVANIA USA



		Technical Data	
		bushing inner diameter ±0.2	cable outer diameter
00	1)2)	/	/
05	3)	5	4.2 to 4.9
06	3)	6	5.0 to 5.9
07	3)	7	6.0 to 6.9
08	3)	8	7.0 to 7.9
09	3)	9	8.0 to 8.9
10	2)	10	9.0 to 9.9
11	2)	11	10.0 to 10.9
12	4)	12	11.0 to 11.9
13	4)	13	12.0 to 12.9
14	4)	14	13.0 to 13.9
15	4)	15	14.0 to 14.9

	contacts	colour
1	9 to 37	grey
50	50	grey
100	9 to 37	black
150	50	black

Active part numbers. Contact Tyco Electronics for other configuration availability

Old Part Number	TE Part Number	
V42254-A6200-L 1	4-1393561-5	OBSOLETE
V42254-A6200-L 50	4-1393561-6	
V42254-A6200-L100	5-1393502-1	OBSOLETE
V42254-A6200-L150	5-1393502-2	OBSOLETE
V42254-A6205-L 1	4-1393561-7	
V42254-A6205-L100	4-1393561-8	
V42254-A6206-L 1	4-1393561-9	
V42254-A6206-L100	5-1393561-0	
V42254-A6207-L 1	5-1393561-1	
V42254-A6207-L100	5-1393561-4	OBSOLETE
V42254-A6208-L 1	5-1393561-5	
V42254-A6208-L100	5-1393561-6	OBSOLETE
V42254-A6209-L 1	5-1393561-7	
V42254-A6209-L100	5-1393561-8	
V42254-A6210-L 1	5-1393561-9	
V42254-A6210-L 50	6-1393561-0	OBSOLETE
V42254-A6210-L100	6-1393561-1	OBSOLETE
V42254-A6210-L150	5-1393502-3	OBSOLETE
V42254-A6211-L 1	6-1393561-2	
V42254-A6211-L 50	6-1393561-3	OBSOLETE
V42254-A6211-L100	5-1393502-4	OBSOLETE
V42254-A6211-L150	5-1393502-5	OBSOLETE
V42254-A6212-L 50	6-1393561-4	
V42254-A6212-L150	5-1393502-6	OBSOLETE
V42254-A6213-L 50	6-1393561-5	OBSOLETE
V42254-A6213-L150	5-1393502-7	OBSOLETE
V42254-A6214-L 50	6-1393561-6	OBSOLETE
V42254-A6214-L150	5-1393502-8	OBSOLETE
V42254-A6215-L 50	8-1393501-5	OBSOLETE
V42254-A6215-L150	6-1393561-7	OBSOLETE

- 4) only for 50 contacts
- 3) only for 9 to 37 contacts
- 2) for 9 to 50 contacts
- 1) Blank bushing

APPLICABLE SPEC.:				FINISH			
				DIMENSIONS APPLY		PLATING	
				SCALE		WEIGHT	
DIMENSIONS IN MM				MATERIAL			
DATE 30.08.88 NAME De Petter DEP. PD Com P&SE EC				NAME D-Sub Housing accessories: cable bushings			
TOLERANCE UNLESS SPECIFIED OTHERWISE				DWG NO.		SHT. 6-	
A5 SEE SHEET 1 REV. CHANGE ORDER DATE APP. customer drawing number: C 1393738-1				V42254-A6000-G***-*-27		OF 6	