

4

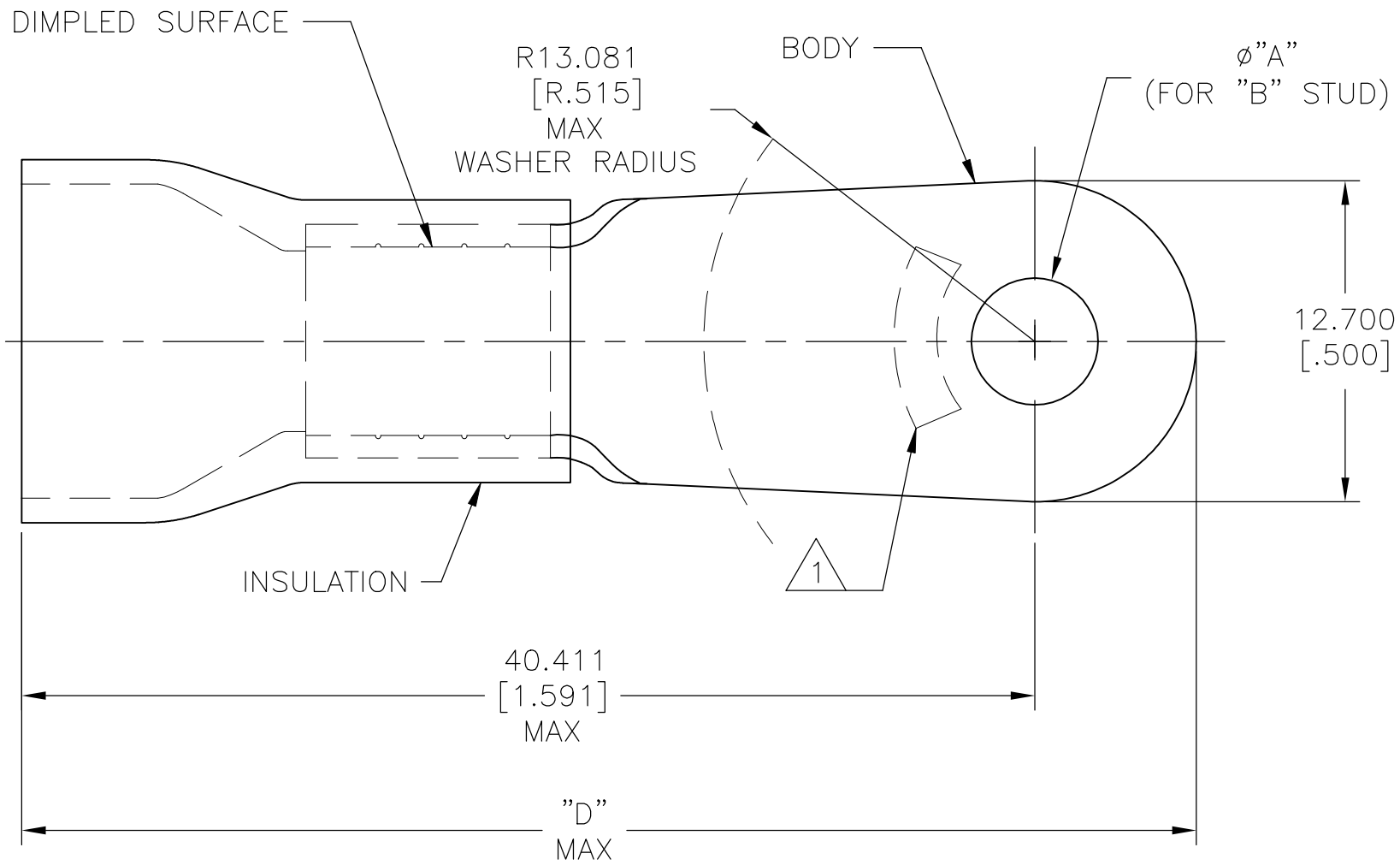
3

2

1

THIS DRAWING IS UNPUBLISHED. RELEASED FOR PUBLICATION  
 © COPYRIGHT - By - ALL RIGHTS RESERVED.

REVISIONS					
P	LTR	DESCRIPTION	DATE	DWN	APVD
	AB2	REVISED PER ECO-11-004820	11MAR11	RK	HMR
	AB3	REVISED PER ECO-17-014338	16MAY2018	RS	DR



<b>AMP</b> WIRE RANGE	<b>RA</b> FILE E13288	<b>SR</b> LR7189 Certified
6 AWG STRANDED	6 AWG STRANDED	6 AWG STRANDED

- 1 STAMP AMP 6\* LOCATE APPROX AS SHOWN
- 2 BODY MATERIAL THK 1.143±0.051 [.045±.002]
- 3 SEE TABLE FOR WIRE INSULATION DIA MAX
- 4 TAPE ITEMS ARE ON 30.480 [1.200] CENTERS
- 5 NOTE DELETED
- 6 NOTE DELETED

46.838 [1.844]	11.074 [.436]	#10	5.004±0.076 [.197±.003]	500	ON TAPE	1-52042-0
47.473 [1.869]	9.144 [.360]	M6[1/4]	6.731 [.265]			52042-9
46.838 [1.844]	11.074 [.436]					52042-7
47.473 [1.869]	9.144 [.360]	#10	5.004±0.076 [.197±.003]	100	LOOSE PC	52042-5
46.838 [1.844]	11.074 [.436]					52042-4
47.473 [1.869]	9.144 [.360]	M6[1/4]	6.731 [.265]			52042-3
46.838 [1.844]	11.074 [.436]	M4[#8]	4.343±0.076 [.171±.003]			52042-2
		M6[1/4]	6.731 [.265]			52042-1
		M4[#8]	4.343±0.076 [.171±.003]			52042
"D"	WIRE INSULATION DIA	"B"	"A"	QTY	PACKAGE TYPE	PART NO

<b>AMP INCORPORATED</b>		MAX RECOMMENDED OPERATING TEMPERATURE: 105°C [221°F]
<b>CUSTOMER SERVICE SYSTEMS</b>		
FOR ADDITIONAL PRODUCT INFORMATION OR COPIES OF DRAWINGS AND TECHNICAL DOCUMENTS	PRODUCT INFORMATION CENTER 1-800-522-6752	VOLTAGE RATING 600 V MAX
FOR APPLICATION TOOLING INFORMATION	TOOLING ASSISTANCE CENTER 1-800-722-1111	CIRCULAR MIL AREA: 10.54-16.77mm <sup>2</sup> [20,800-33,100] STRANDED
FOR ORDER ENTRY	1-800-526-5142	THIS DRAWING IS A CONTROLLED DOCUMENT FOR AMP INCORPORATED. IT IS SUBJECT TO CHANGE AND THE CONTROLLING ENGINEERING ORGANIZATION SHOULD BE CONTACTED FOR THE LATEST REVISION.

THIS DRAWING IS A CONTROLLED DOCUMENT.	
DIMENSIONS: mm [INCHES]	TOLERANCES UNLESS OTHERWISE SPECIFIED:
	0 PLC ± -
	1 PLC ± -
	2 PLC ± -
	3 PLC ± 0.127 [.005]
	4 PLC ± -
	ANGLES ± -
MATERIAL BODY: COPPER PER ASTM B-152 INSULATION: PVC	FINISH BODY: TIN PLATE PER ASTM B-545 INSULATION: COLOR-BLUE

DWN	S.S. GOULDEN	9-29-93
CHK	R. HERSEY	9-29-93
APVD	B. BARE	9-29-93
PRODUCT SPEC	UL 486 A-B	
APPLICATION SPEC	114-2161	
WEIGHT	CUSTOMER DRAWING	

<b>STE</b> TE Connectivity Ltd.			
NAME TERMINAL, RING TONGUE, PLASTIC-GRIP, <sup>TM</sup> WIRE SIZE: 6 AWG			
SIZE	CAGE CODE	DRAWING NO	RESTRICTED TO
A3	00779	C-52042	-
SCALE		SHEET	REV
4:1		1 OF 1	AB3