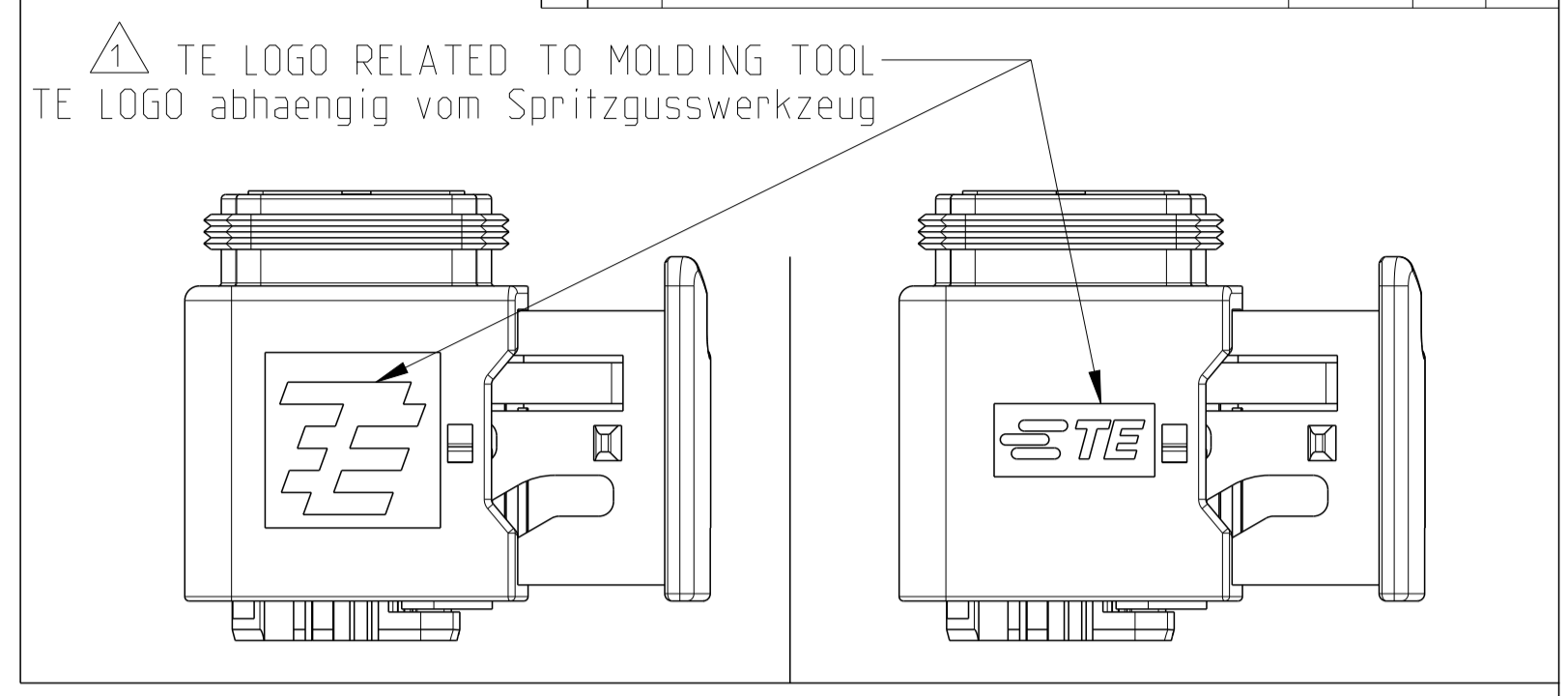


1-1418448-1 AS SHOWN  
 1-1418448-1 wie gezeigt

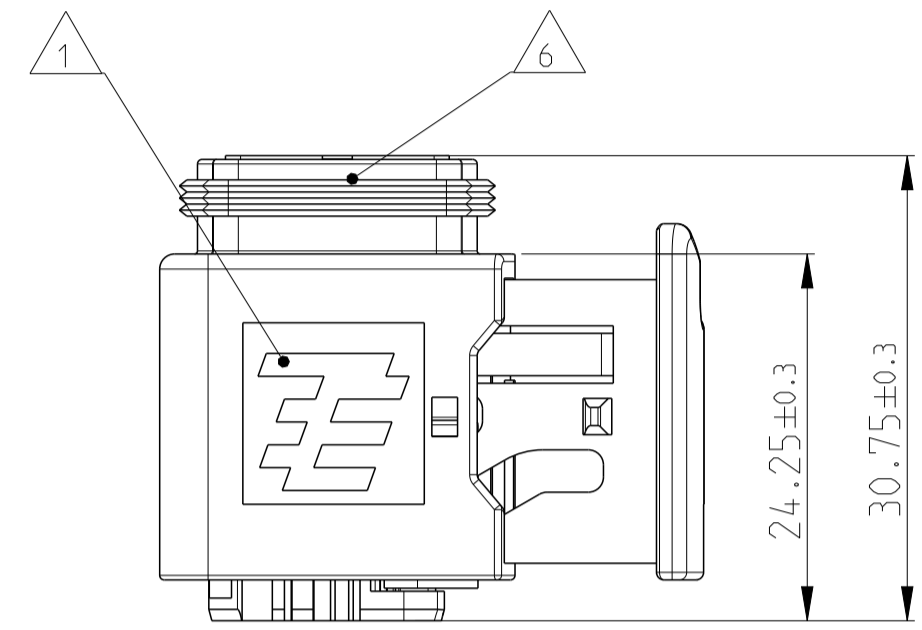
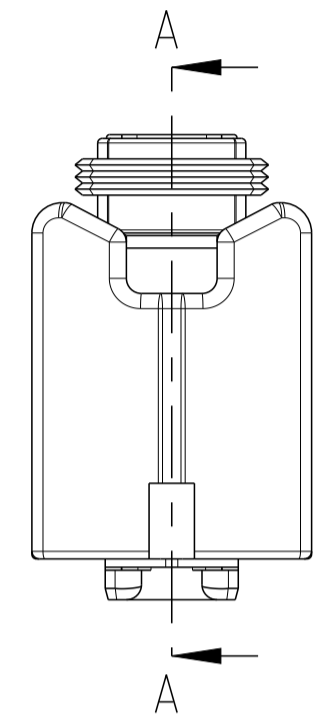
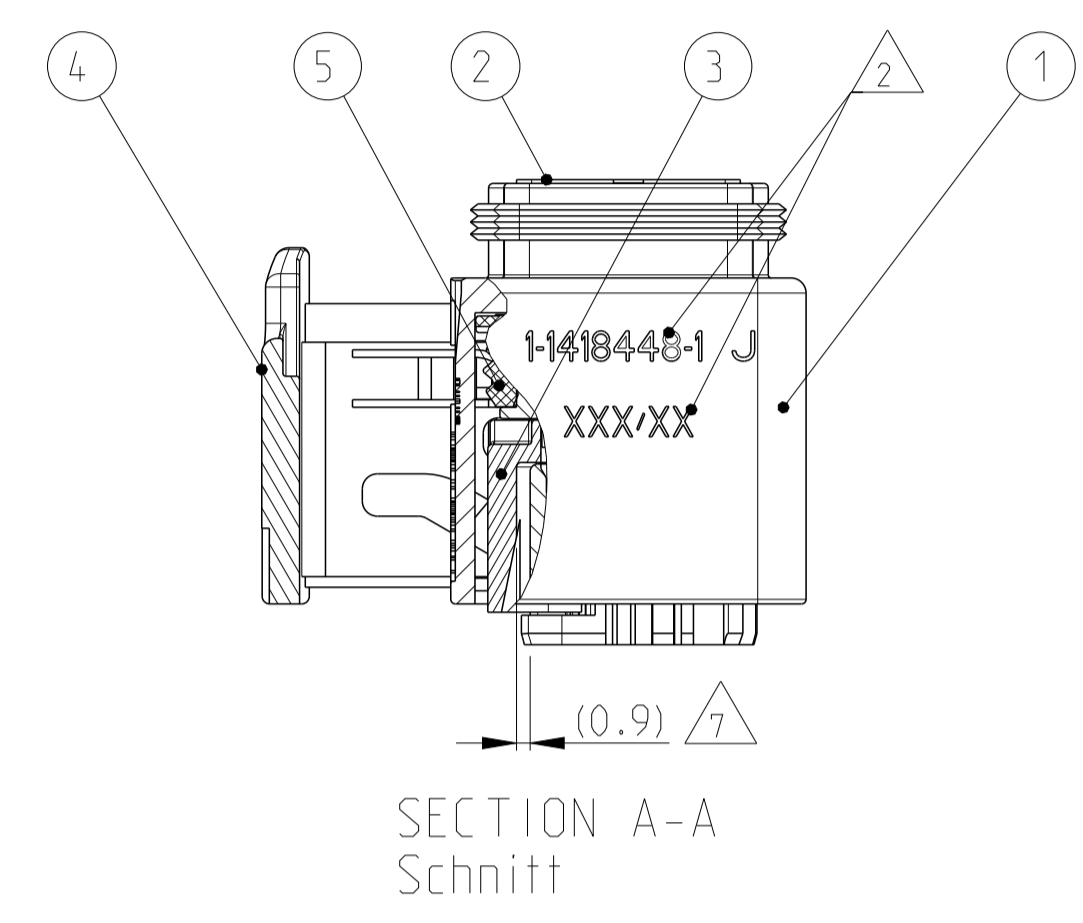
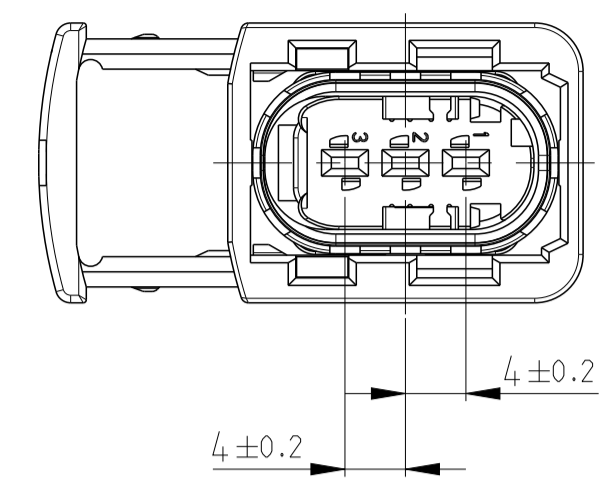
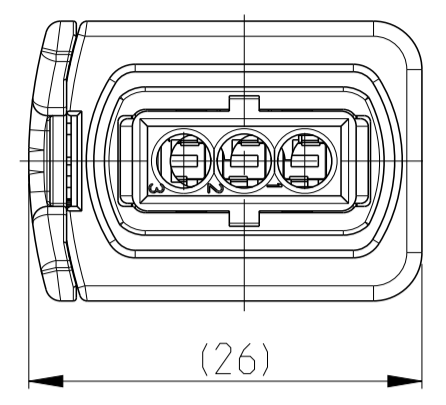
LOC	DIST	REV	DATE	BY	APPV
A1	-	J	23MAY2012	MN	SKR
PROJECT NO.: EGNATN05322					
J1		J1	15MAY2015	SK	Krauss
J2		J2	28APR2016	MAH.	GILC
J3		J3	23APR2018	HO.	GILC

DELIVERY CONDITION:  
 Lieferzustand:

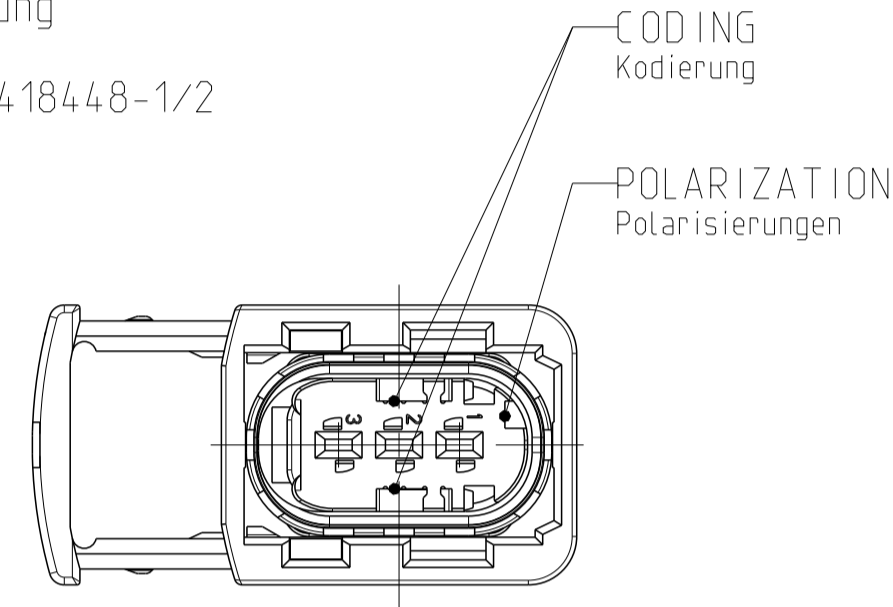
SECONDARY LOCKING AND SLIDE  
 IN PRE-LOCKED POSITION  
 2. Kontaktsicherung und Schieber  
 in Vorraststellung



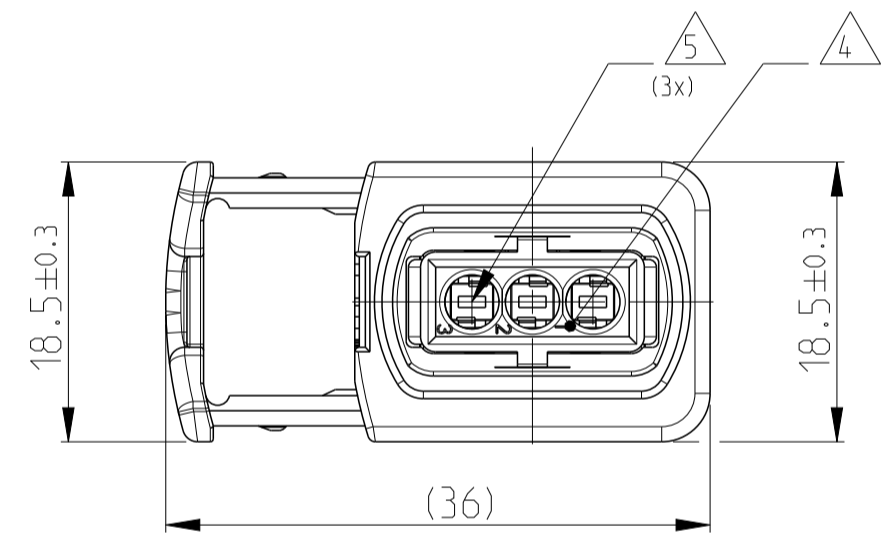
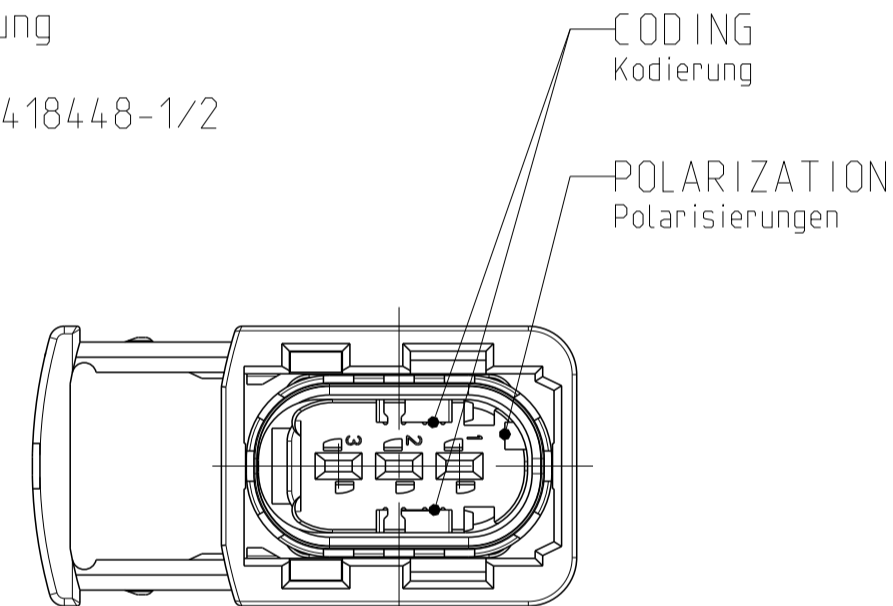
SLIDE IN LOCKED POSITION  
 Schieber in Verriegelungsposition



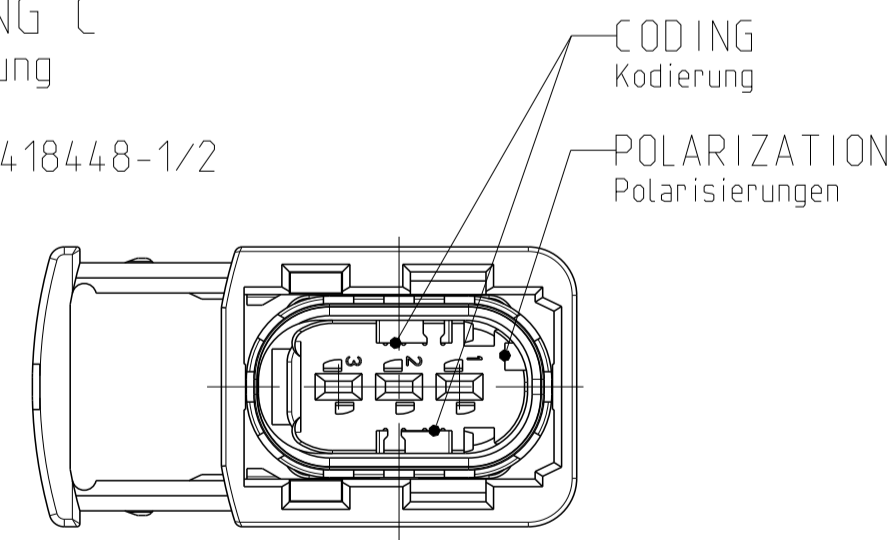
CODING A  
 Kodierung  
 PN 1-1418448-1/2



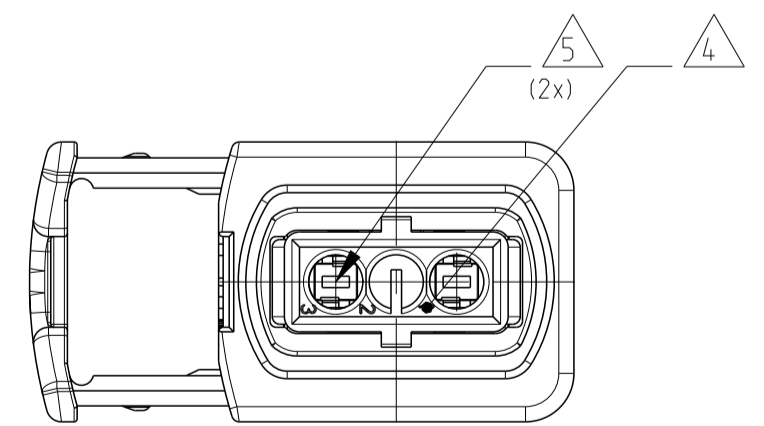
CODING B  
 Kodierung  
 PN 2-1418448-1/2



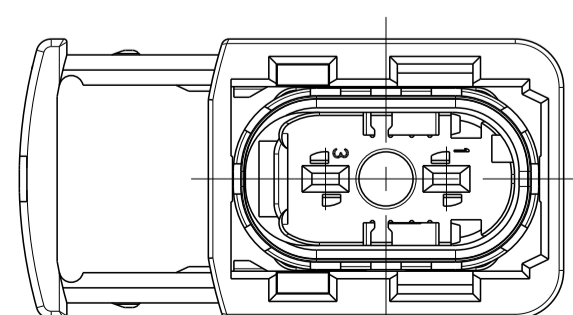
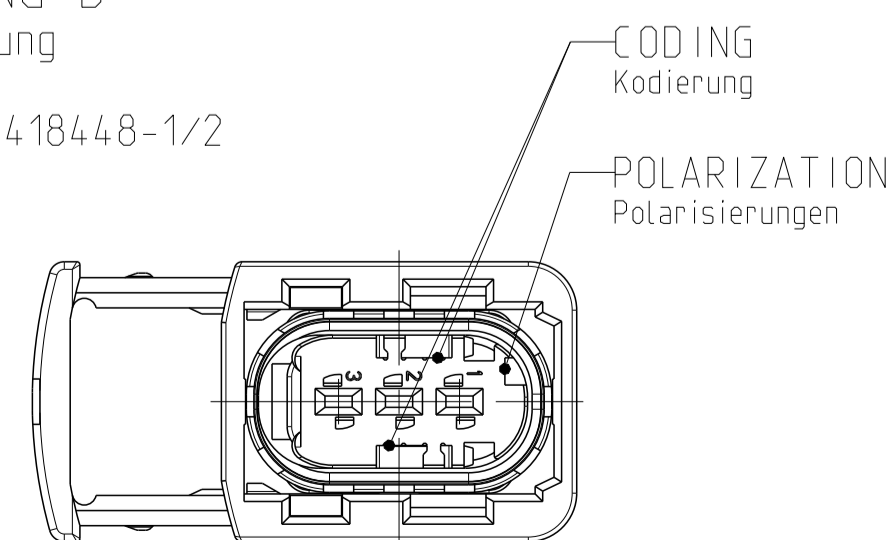
CODING C  
 Kodierung  
 PN 3-1418448-1/2



2 POS. VERSION  
 2 pol. Version  
 PN X-1418448-2



CODING D  
 Kodierung  
 PN 4-1418448-1/2



NOTES  
 Bemerkungen

- 1 TE LOGO  
 TE Logo
  - 2 ASSY PN, PRODUCTION DATE (CALENDAR DAY/YEAR):  
 MARKING OPTIONAL AS LASER ENGRAVING OR  
 LASER WITH COLOR CHANGE  
 Assy PN, Produktionsdatum (Kalendertag/Jahr):  
 Beschriftung wahlweise als Lasergravur oder Laser mit Farbumschlag
  - 3 BULK PACKAGING IN CORRUGATED BOX  
 Schuetzfolie im Versandkarton
  - 4 CAVITY NUMBERING  
 Kammer Bezeichnung
  - 5 CAVITIES MATED WITH AMP MCP 1.5K  
 SEE PRODUCT GROUP DRAWING  
 TE NO: 1241436  
 MAX. WIRE SIZE: 1.5mm<sup>2</sup> FLR
- STANDARD APPLICATION:  
 AT TEMPERATURE UP TO 120 DEGREE CELSIUS,  
 SINGLE WIRE SEAL PN 0-2287497-1 AT WIRE SIZE 1.5mm<sup>2</sup> FLR  
 RECOMMENDED.
- RECOMMENDATION FOR APPLICATION TEMPERATURES UP TO  
 140 DEGREE CELSIUS, SINGLE WIRE SEAL  
 PN 0-964972-1, WIRE SIZE: 1.5mm<sup>2</sup> FLR (AWG 16 TXL)  
 BUT SLIGHTLY HINDERED MOUNTING.
- Kontaktkammern passend fuer AMP MCP 1.5k  
 siehe Produktgruppenzeichnung  
 TE Nr.: 1241436  
 max. Drahtgroessenbereich: 1.5mm<sup>2</sup> FLR
- Standard Anwendung:  
 Bei Einsatztemperatur bis 120°C  
 Einzellleiterdichtung 0-2287497-1 bei Leitergrosse 1.5mm<sup>2</sup> FLR empfohlen.
- Bei Einsatztemperaturen bis 140°C empfehlen wir bei dem  
 Drahtgroessenbereich 1.5mm<sup>2</sup> FLR (AWG 16 TXL) die Einzellleiterdichtung  
 PN 964972-1,  
 jedoch mit leicht erschwelter Bestueckbarkeit.
- 6 SUITABLE COVERS SEE DRAWING: 1670150, 1670365  
 Passende Kappen siehe Zeichnung: 1670150, 1670365
  - 7 SLIDING DISTANCE OF SECONDARY LOCKING  
 Verschiebeweg der 2. Kontaktsicherung
  - 8 FITS TO TE INTERFACE DRAWING 114-18743-1  
 Passend zur Ausfuhrungsvorschrift 114-18743-1
  - 9 SUITABLE COUNTERPART SEE DRAWING: 1670730, 1703843  
 passendes Gegenstueck siehe Zeichnung: 1670730, 1703843
  - 10 MALFUNCTION CAUSED BY LACQUER IS NOT  
 COVERED BY TE WARRANTY.  
 Funktionsbeeintraechtigung durch Lackieren liegt nicht im  
 Einfluss und Gewaehrleistungsumfang von TE.

1	REPEATABLE HSG Buchsengehäuse	BLACK schwarz	3POS. CAVITY BLOCK, CODE - "A" 3pol., Kammerblock, Kodierung - "A"	2	2	ITEM NO
2	3POS. CAVITY BLOCK, CODE - "B" 3pol., Kammerblock, Kodierung - "B"	BLACK schwarz	3POS. CAVITY BLOCK, CODE - "A" 3pol., Kammerblock, Kodierung - "A"	2	2	
3	3POS. CAVITY BLOCK, CODE - "C" 3pol., Kammerblock, Kodierung - "C"	GREY grau	3POS. CAVITY BLOCK, CODE - "B" 3pol., Kammerblock, Kodierung - "B"	2	2	
4	3POS. CAVITY BLOCK, CODE - "D" 3pol., Kammerblock, Kodierung - "D"	GREEN gruen	3POS. CAVITY BLOCK, CODE - "C" 3pol., Kammerblock, Kodierung - "C"	2	2	
5	3POS. CAVITY BLOCK, CODE - "A" 3pol., Kammerblock, Kodierung - "A"	BLUE blau	3POS. CAVITY BLOCK, CODE - "D" 3pol., Kammerblock, Kodierung - "D"	2	2	
6	3POS. CAVITY BLOCK, CODE - "B" 3pol., Kammerblock, Kodierung - "B"	BLACK schwarz	3POS. CAVITY BLOCK, CODE - "A" 3pol., Kammerblock, Kodierung - "A"	2	2	
7	3POS. CAVITY BLOCK, CODE - "C" 3pol., Kammerblock, Kodierung - "C"	GREEN gruen	3POS. CAVITY BLOCK, CODE - "B" 3pol., Kammerblock, Kodierung - "B"	2	2	
8	3POS. CAVITY BLOCK, CODE - "D" 3pol., Kammerblock, Kodierung - "D"	BLUE blau	3POS. CAVITY BLOCK, CODE - "C" 3pol., Kammerblock, Kodierung - "C"	2	2	
9	3POS. CAVITY BLOCK, CODE - "A" 3pol., Kammerblock, Kodierung - "A"	BLACK schwarz	3POS. CAVITY BLOCK, CODE - "D" 3pol., Kammerblock, Kodierung - "D"	2	2	
10	3POS. CAVITY BLOCK, CODE - "B" 3pol., Kammerblock, Kodierung - "B"	GREY grau	3POS. CAVITY BLOCK, CODE - "A" 3pol., Kammerblock, Kodierung - "A"	2	2	
11	3POS. CAVITY BLOCK, CODE - "C" 3pol., Kammerblock, Kodierung - "C"	GREEN gruen	3POS. CAVITY BLOCK, CODE - "B" 3pol., Kammerblock, Kodierung - "B"	2	2	
12	3POS. CAVITY BLOCK, CODE - "D" 3pol., Kammerblock, Kodierung - "D"	BLUE blau	3POS. CAVITY BLOCK, CODE - "C" 3pol., Kammerblock, Kodierung - "C"	2	2	
13	3POS. CAVITY BLOCK, CODE - "A" 3pol., Kammerblock, Kodierung - "A"	BLACK schwarz	3POS. CAVITY BLOCK, CODE - "D" 3pol., Kammerblock, Kodierung - "D"	2	2	
14	3POS. CAVITY BLOCK, CODE - "B" 3pol., Kammerblock, Kodierung - "B"	GREY grau	3POS. CAVITY BLOCK, CODE - "A" 3pol., Kammerblock, Kodierung - "A"	2	2	
15	3POS. CAVITY BLOCK, CODE - "C" 3pol., Kammerblock, Kodierung - "C"	GREEN gruen	3POS. CAVITY BLOCK, CODE - "B" 3pol., Kammerblock, Kodierung - "B"	2	2	
16	3POS. CAVITY BLOCK, CODE - "D" 3pol., Kammerblock, Kodierung - "D"	BLUE blau	3POS. CAVITY BLOCK, CODE - "C" 3pol., Kammerblock, Kodierung - "C"	2	2	
17	3POS. CAVITY BLOCK, CODE - "A" 3pol., Kammerblock, Kodierung - "A"	BLACK schwarz	3POS. CAVITY BLOCK, CODE - "D" 3pol., Kammerblock, Kodierung - "D"	2	2	
18	3POS. CAVITY BLOCK, CODE - "B" 3pol., Kammerblock, Kodierung - "B"	GREY grau	3POS. CAVITY BLOCK, CODE - "A" 3pol., Kammerblock, Kodierung - "A"	2	2	
19	3POS. CAVITY BLOCK, CODE - "C" 3pol., Kammerblock, Kodierung - "C"	GREEN gruen	3POS. CAVITY BLOCK, CODE - "B" 3pol., Kammerblock, Kodierung - "B"	2	2	
20	3POS. CAVITY BLOCK, CODE - "D" 3pol., Kammerblock, Kodierung - "D"	BLUE blau	3POS. CAVITY BLOCK, CODE - "C" 3pol., Kammerblock, Kodierung - "C"	2	2	
21	3POS. CAVITY BLOCK, CODE - "A" 3pol., Kammerblock, Kodierung - "A"	BLACK schwarz	3POS. CAVITY BLOCK, CODE - "D" 3pol., Kammerblock, Kodierung - "D"	2	2	
22	3POS. CAVITY BLOCK, CODE - "B" 3pol., Kammerblock, Kodierung - "B"	GREY grau	3POS. CAVITY BLOCK, CODE - "A" 3pol., Kammerblock, Kodierung - "A"	2	2	
23	3POS. CAVITY BLOCK, CODE - "C" 3pol., Kammerblock, Kodierung - "C"	GREEN gruen	3POS. CAVITY BLOCK, CODE - "B" 3pol., Kammerblock, Kodierung - "B"	2	2	
24	3POS. CAVITY BLOCK, CODE - "D" 3pol., Kammerblock, Kodierung - "D"	BLUE blau	3POS. CAVITY BLOCK, CODE - "C" 3pol., Kammerblock, Kodierung - "C"	2	2	
25	3POS. CAVITY BLOCK, CODE - "A" 3pol., Kammerblock, Kodierung - "A"	BLACK schwarz	3POS. CAVITY BLOCK, CODE - "D" 3pol., Kammerblock, Kodierung - "D"	2	2	
26	3POS. CAVITY BLOCK, CODE - "B" 3pol., Kammerblock, Kodierung - "B"	GREY grau	3POS. CAVITY BLOCK, CODE - "A" 3pol., Kammerblock, Kodierung - "A"	2	2	
27	3POS. CAVITY BLOCK, CODE - "C" 3pol., Kammerblock, Kodierung - "C"	GREEN gruen	3POS. CAVITY BLOCK, CODE - "B" 3pol., Kammerblock, Kodierung - "B"	2	2	
28	3POS. CAVITY BLOCK, CODE - "D" 3pol., Kammerblock, Kodierung - "D"	BLUE blau	3POS. CAVITY BLOCK, CODE - "C" 3pol., Kammerblock, Kodierung - "C"	2	2	
29	3POS. CAVITY BLOCK, CODE - "A" 3pol., Kammerblock, Kodierung - "A"	BLACK schwarz	3POS. CAVITY BLOCK, CODE - "D" 3pol., Kammerblock, Kodierung - "D"	2	2	
30	3POS. CAVITY BLOCK, CODE - "B" 3pol., Kammerblock, Kodierung - "B"	GREY grau	3POS. CAVITY BLOCK, CODE - "A" 3pol., Kammerblock, Kodierung - "A"	2	2	
31	3POS. CAVITY BLOCK, CODE - "C" 3pol., Kammerblock, Kodierung - "C"	GREEN gruen	3POS. CAVITY BLOCK, CODE - "B" 3pol., Kammerblock, Kodierung - "B"	2	2	
32	3POS. CAVITY BLOCK, CODE - "D" 3pol., Kammerblock, Kodierung - "D"	BLUE blau	3POS. CAVITY BLOCK, CODE - "C" 3pol., Kammerblock, Kodierung - "C"	2	2	
33	3POS. CAVITY BLOCK, CODE - "A" 3pol., Kammerblock, Kodierung - "A"	BLACK schwarz	3POS. CAVITY BLOCK, CODE - "D" 3pol., Kammerblock, Kodierung - "D"	2	2	
34	3POS. CAVITY BLOCK, CODE - "B" 3pol., Kammerblock, Kodierung - "B"	GREY grau	3POS. CAVITY BLOCK, CODE - "A" 3pol., Kammerblock, Kodierung - "A"	2	2	
35	3POS. CAVITY BLOCK, CODE - "C" 3pol., Kammerblock, Kodierung - "C"	GREEN gruen	3POS. CAVITY BLOCK, CODE - "B" 3pol., Kammerblock, Kodierung - "B"	2	2	
36	3POS. CAVITY BLOCK, CODE - "D" 3pol., Kammerblock, Kodierung - "D"	BLUE blau	3POS. CAVITY BLOCK, CODE - "C" 3pol., Kammerblock, Kodierung - "C"	2	2	
37	3POS. CAVITY BLOCK, CODE - "A" 3pol., Kammerblock, Kodierung - "A"	BLACK schwarz	3POS. CAVITY BLOCK, CODE - "D" 3pol., Kammerblock, Kodierung - "D"	2	2	
38	3POS. CAVITY BLOCK, CODE - "B" 3pol., Kammerblock, Kodierung - "B"	GREY grau	3POS. CAVITY BLOCK, CODE - "A" 3pol., Kammerblock, Kodierung - "A"	2	2	
39	3POS. CAVITY BLOCK, CODE - "C" 3pol., Kammerblock, Kodierung - "C"	GREEN gruen	3POS. CAVITY BLOCK, CODE - "B" 3pol., Kammerblock, Kodierung - "B"	2	2	
40	3POS. CAVITY BLOCK, CODE - "D" 3pol., Kammerblock, Kodierung - "D"	BLUE blau	3POS. CAVITY BLOCK, CODE - "C" 3pol., Kammerblock, Kodierung - "C"	2	2	
41	3POS. CAVITY BLOCK, CODE - "A" 3pol., Kammerblock, Kodierung - "A"	BLACK schwarz	3POS. CAVITY BLOCK, CODE - "D" 3pol., Kammerblock, Kodierung - "D"	2	2	
42	3POS. CAVITY BLOCK, CODE - "B" 3pol., Kammerblock, Kodierung - "B"	GREY grau	3POS. CAVITY BLOCK, CODE - "A" 3pol., Kammerblock, Kodierung - "A"	2	2	
43	3POS. CAVITY BLOCK, CODE - "C" 3pol., Kammerblock, Kodierung - "C"	GREEN gruen	3POS. CAVITY BLOCK, CODE - "B" 3pol., Kammerblock, Kodierung - "B"	2	2	
44	3POS. CAVITY BLOCK, CODE - "D" 3pol., Kammerblock, Kodierung - "D"	BLUE blau	3POS. CAVITY BLOCK, CODE - "C" 3pol., Kammerblock, Kodierung - "C"	2	2	
45	3POS. CAVITY BLOCK, CODE - "A" 3pol., Kammerblock, Kodierung - "A"	BLACK schwarz	3POS. CAVITY BLOCK, CODE - "D" 3pol., Kammerblock, Kodierung - "D"	2	2	
46	3POS. CAVITY BLOCK, CODE - "B" 3pol., Kammerblock, Kodierung - "B"	GREY grau	3POS. CAVITY BLOCK, CODE - "A" 3pol., Kammerblock, Kodierung - "A"	2	2	
47	3POS. CAVITY BLOCK, CODE - "C" 3pol., Kammerblock, Kodierung - "C"	GREEN gruen	3POS. CAVITY BLOCK, CODE - "B" 3pol., Kammerblock, Kodierung - "B"	2	2	
48	3POS. CAVITY BLOCK, CODE - "D" 3pol., Kammerblock, Kodierung - "D"	BLUE blau	3POS. CAVITY BLOCK, CODE - "C" 3pol., Kammerblock, Kodierung - "C"	2	2	
49	3POS. CAVITY BLOCK, CODE - "A" 3pol., Kammerblock, Kodierung - "A"	BLACK schwarz	3POS. CAVITY BLOCK, CODE - "D" 3pol., Kammerblock, Kodierung - "D"	2	2	
50	3POS. CAVITY BLOCK, CODE - "B" 3pol., Kammerblock, Kodierung - "B"	GREY grau	3POS. CAVITY BLOCK, CODE - "A" 3pol., Kammerblock, Kodierung - "A"	2	2	
51	3POS. CAVITY BLOCK, CODE - "C" 3pol., Kammerblock, Kodierung - "C"	GREEN gruen	3POS. CAVITY BLOCK, CODE - "B" 3pol., Kammerblock, Kodierung - "B"	2	2	
52	3POS. CAVITY BLOCK, CODE - "D" 3pol., Kammerblock, Kodierung - "D"	BLUE blau	3POS. CAVITY BLOCK, CODE - "C" 3pol., Kammerblock, Kodierung - "C"	2	2	
53	3POS. CAVITY BLOCK, CODE - "A" 3pol., Kammerblock, Kodierung - "A"	BLACK schwarz	3POS. CAVITY BLOCK, CODE - "D" 3pol., Kammerblock, Kodierung - "D"	2	2	
54	3POS. CAVITY BLOCK, CODE - "B" 3pol., Kammerblock, Kodierung - "B"	GREY grau	3POS. CAVITY BLOCK, CODE - "A" 3pol., Kammerblock, Kodierung - "A"	2	2	
55	3POS. CAVITY BLOCK, CODE - "C" 3pol., Kammerblock, Kodierung - "C"	GREEN gruen	3POS. CAVITY BLOCK, CODE - "B" 3pol., Kammerblock, Kodierung - "B"	2	2	
56	3POS. CAVITY BLOCK, CODE - "D" 3pol., Kammerblock, Kodierung - "D"	BLUE blau	3POS. CAVITY BLOCK, CODE - "C" 3pol., Kammerblock, Kodierung - "C"	2	2	
57	3POS. CAVITY BLOCK, CODE - "A" 3pol., Kammerblock, Kodierung - "A"	BLACK schwarz	3POS. CAVITY BLOCK, CODE - "D" 3pol., Kammerblock, Kodierung - "D"	2	2	
58	3POS. CAVITY BLOCK, CODE - "B" 3pol., Kammerblock, Kodierung - "B"	GREY grau	3POS. CAVITY BLOCK, CODE - "A" 3pol., Kammerblock, Kodierung - "A"	2	2	
59	3POS. CAVITY BLOCK, CODE - "C" 3pol., Kammerblock, Kodierung - "C"	GREEN gruen	3POS. CAVITY BLOCK, CODE - "B" 3pol., Kammerblock, Kodierung - "B"	2	2	
60	3POS. CAVITY BLOCK, CODE - "D" 3pol., Kammerblock, Kodierung - "D"	BLUE blau	3POS. CAVITY BLOCK, CODE - "C" 3pol., Kammerblock, Kodierung - "C"	2	2	
61	3POS. CAVITY BLOCK, CODE - "A" 3pol., Kammerblock, Kodierung - "A"	BLACK schwarz	3POS. CAVITY BLOCK, CODE - "D" 3pol., Kammerblock, Kodierung - "D"	2	2	
62	3POS. CAVITY BLOCK, CODE - "B" 3pol., Kammerblock, Kodierung - "B"	GREY grau	3POS. CAVITY BLOCK, CODE - "A" 3pol., Kammerblock, Kodierung - "A"	2	2	
63	3POS. CAVITY BLOCK, CODE - "C" 3pol., Kammerblock, Kodierung - "C"	GREEN gruen	3POS. CAVITY BLOCK, CODE - "B" 3pol., Kammerblock, Kodierung - "B"	2	2	
64	3POS. CAVITY BLOCK, CODE - "D" 3pol., Kammerblock, Kodierung - "D"	BLUE blau	3POS. CAVITY BLOCK, CODE - "C" 3pol., Kammerblock, Kodierung - "C"	2	2	
65	3POS. CAVITY BLOCK, CODE - "A" 3pol., Kammerblock, Kodierung - "A"	BLACK schwarz	3POS. CAVITY BLOCK, CODE - "D" 3pol., Kammerblock, Kodierung - "D"	2	2	
66	3POS. CAVITY BLOCK, CODE - "B" 3pol., Kammerblock, Kodierung - "B"	GREY grau	3POS. CAVITY BLOCK, CODE - "A" 3pol., Kammerblock, Kodierung - "A"	2	2	
67	3POS. CAVITY BLOCK, CODE - "C" 3pol., Kammerblock, Kodierung - "C"	GREEN gruen	3POS. CAVITY BLOCK, CODE - "B" 3pol., Kammerblock, Kodierung - "B"	2	2	
68	3POS. CAVITY BLOCK, CODE - "D" 3pol., Kammerblock, Kodierung - "D"	BLUE blau	3POS. CAVITY BLOCK, CODE - "C" 3pol., Kammerblock, Kodierung - "C"	2	2	
69	3POS. CAVITY BLOCK, CODE - "A" 3pol., Kammerblock, Kodierung - "A"	BLACK schwarz	3POS. CAVITY BLOCK, CODE - "D" 3pol., Kammerblock, Kodierung - "D"	2	2	
70	3POS. CAVITY BLOCK, CODE - "B" 3pol., Kammerblock, Kodierung - "B"	GREY grau	3POS. CAVITY BLOCK, CODE - "A" 3pol., Kammerblock, Kodierung - "A"	2	2	
71	3POS. CAVITY BLOCK, CODE - "C" 3pol., Kammerblock, Kodierung - "C"	GREEN gruen	3POS. CAVITY BLOCK, CODE - "B" 3pol., Kammerblock, Kodierung - "B"	2	2	
72	3POS. CAVITY BLOCK, CODE - "D" 3pol., Kammerblock, Kodierung - "D"	BLUE blau	3POS. CAVITY BLOCK, CODE - "C" 3pol., Kammerblock, Kodierung - "C"	2	2	
73	3POS. CAVITY BLOCK, CODE - "A" 3pol., Kammerblock, Kodierung - "A"	BLACK schwarz	3POS. CAVITY BLOCK, CODE - "D" 3pol., Kammerblock, Kodierung - "D"	2	2	
74	3POS. CAVITY BLOCK, CODE - "B" 3pol., Kammerblock, Kodierung - "B"	GREY grau	3POS. CAVITY BLOCK, CODE - "A" 3pol., Kammerblock, Kodierung - "A"	2	2	
75	3POS. CAVITY BLOCK, CODE - "C" 3pol., Kammerblock, Kodierung - "C"	GREEN gruen	3POS. CAVITY BLOCK, CODE - "B" 3pol., Kammerblock, Kodierung - "B"	2	2	
76	3POS. CAVITY BLOCK, CODE - "D" 3pol., Kammerblock, Kodierung - "D"	BLUE blau	3POS. CAVITY BLOCK, CODE - "C" 3pol., Kammerblock, Kodierung - "C"	2	2	
77	3POS. CAVITY BLOCK, CODE - "A" 3pol., Kammerblock, Kodierung - "A"	BLACK schwarz	3POS. CAVITY BLOCK, CODE - "D" 3pol., Kammerblock, Kodierung - "D"	2	2	
78	3POS. CAVITY BLOCK, CODE - "B" 3pol., Kammerblock, Kodierung - "B"	GREY grau	3POS. CAVITY BLOCK, CODE - "A" 3pol., Kammerblock, Kodierung - "A"	2	2	
79	3POS. CAVITY BLOCK, CODE - "C" 3pol., Kammerblock, Kodierung - "C"	GREEN gruen	3POS. CAVITY BLOCK, CODE - "B" 3pol., Kammerblock, Kodierung - "B"	2	2	
80	3POS. CAVITY BLOCK, CODE - "D" 3pol., Kammerblock, Kodierung - "D"	BLUE blau	3POS. CAVITY BLOCK, CODE - "C" 3pol., Kammerblock, Kodierung - "C"	2	2	
81	3POS. CAVITY BLOCK, CODE - "A" 3pol., Kammerblock, Kodierung - "A"	BLACK schwarz	3POS. CAVITY BLOCK, CODE - "D" 3pol., Kammerblock, Kodierung - "D"	2	2	
82	3POS. CAVITY BLOCK, CODE - "B" 3pol., Kammerblock, Kodierung - "B"	GREY grau	3POS. CAVITY BLOCK, CODE - "A" 3pol., Kammerblock, Kodierung - "A"	2	2	
83	3POS. CAVITY BLOCK, CODE - "C" 3pol., Kammerblock, Kodierung - "C"	GREEN gruen	3POS. CAVITY BLOCK, CODE - "B" 3pol., Kammerblock, Kodierung - "B"	2	2	
84	3POS. CAVITY BLOCK, CODE - "D" 3pol., Kammerblock, Kodierung - "D"	BLUE blau	3POS. CAVITY BLOCK, CODE - "C" 3pol., Kammerblock, Kodierung - "C"	2	2	
85	3POS. CAVITY BLOCK, CODE - "A" 3pol., Kammerblock, Kodierung - "A"	BLACK schwarz	3POS. CAVITY BLOCK, CODE - "D" 3pol., Kammerblock, Kodierung - "D"	2	2	
86	3POS. CAVITY BLOCK, CODE - "B" 3pol., Kammerblock, Kodierung - "B"	GREY grau	3POS. CAVITY BLOCK, CODE - "A" 3pol., Kammerblock, Kodierung - "A"	2	2	