

4

3

2

1

THIS DRAWING IS UNPUBLISHED. RELEASED FOR PUBLICATION 2017
 © COPYRIGHT 2017 BY - ALL RIGHTS RESERVED.

REVISIONS					
P	LTR	DESCRIPTION	DATE	DWN	APVD
C1		REVISED PER ECO-14-010107	03JUL2014	JA	DM
C2		REVISED PER ECO-16-006330	24MAR2016	VNB	DM
C3		REVISED PER ECO-16-009538	24JUN2016	JA	DM
D		REVISED PER PCN :E-17-013520	25JUL2017	DD	DM

2X $\varnothing .122 \pm .004$ [3.10 ± 0.10] BLIND HOLE
 $\nabla .440$ [11.18] #6-19 SCREW
 $\varnothing .010$ [0.25] A B C
 FLANGE SEAL 1013-006-1206
 2X .971 [24.65]
 2.331 [59.21]
 1.597 [40.56]
 .876 ± .010 [22.25 ± 0.25]
 1.388 [35.26]
 PIN 1 HOUSING

1.186 [30.12]
 .122 [3.10] TYP PIN
 .611 ± .010 [15.52 ± 0.25]
 A

12X $\varnothing .062 \pm .002$ [1.57 ± 0.05]
 $\varnothing .020$ [0.51] A B C
 4X .420 [10.67]
 12X .180 [4.56]
 4X .691 [17.54]
 4X .438 [11.11]
 4X .263 [6.67]
 4X .088 [2.22]
 4X $\varnothing .260 \pm .010$ [6.60 ± 0.25]
 4X $\varnothing .110 \pm .004$ [2.79 ± 0.10] BLIND HOLE
 $\nabla .315$ [8.00] #4-20 SCREW
 $\varnothing .020$ [0.51] A B C
 DEUTSCH-1PD
 PIN 1

8 MOUNTING SURFACE SPECIFICATIONS:
 SURFACE FINISH: 32 μ m [0.81 μ m] Ra OR LESS
 FLATNESS: .005 in/in [0.13 mm/mm] MAX

7. SEE SHEET 2 FOR RECOMMENDED PANEL CUTOUTS.
 6. SEE SHEET 3 FOR OTHER KEY ARRANGEMENTS.
 5. MOUNTING SCREW TORQUE VALUES ARE AS FOLLOWS:
 #6-19 SCREWS: 11-13 IN-LB [1.24-1.46 N-m].
 #4-20 SCREWS: 4-9 IN-LB [.45-1.01 N-m].
 VALUES VALID FOR PLASTITE 48 SCREWS ONLY.
 4. RECOMMENDED MOUNTING SCREWS (NOT INCLUDED): CAMCAR PLASTITE 48, SINGLE HELIX.
 3. THIS RECEPTACLE MATES WITH DT06-12SX PLUG (X = A,B,C,D KEYS, XXXX = ALL MODIFICATIONS).
 2. CONTACT PLATING - MATING SIDE: NICKEL; PCB SIDE: TIN

1 MATERIALS:
 HOUSING & PIN ALIGNMENT PLATE: PA46 GF30 (SEE SHEET 2 FOR COLORS)
 FLANGE SEAL: VMQ (RED-ORANGE)
 PIN CONTACTS: COPPER ALLOY

NOTES:

3D VIEW
 SCALE 3:2

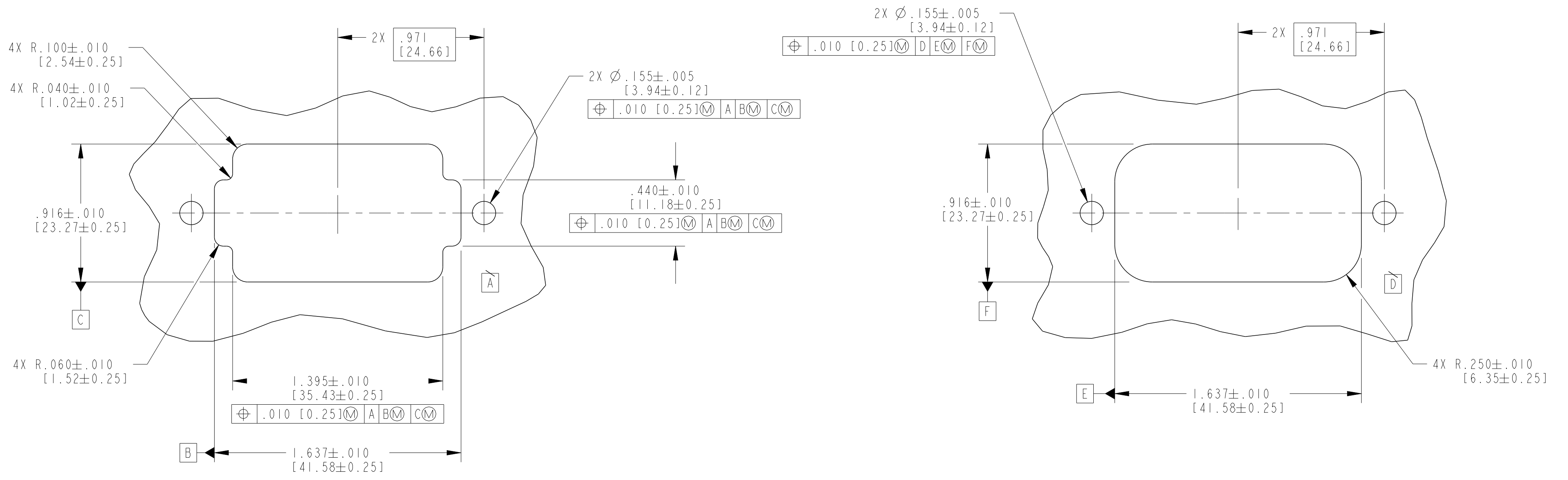
TE INTERNAL PN	DEUTSCH PN
DT15-12PA	DT15-12PA
DT15-12PB	DT15-12PB
DT15-12PC	DT15-12PC
DT15-12PD	DT15-12PD

THIS DRAWING IS A CONTROLLED DOCUMENT.		DWN P. BURKE 08JUN2001	STE TE Connectivity	
DIMENSIONS: in [mm]		CHK K. MCKEE 03JUL2014		
TOLERANCES UNLESS OTHERWISE SPECIFIED:		APVD D. MEYER 03JUL2014	NAME RECEPTACLE HEADER	
0 PLC ±	1 PLC ±	PRODUCT SPEC 108-151009	12 PIN 180 DEG. DT SERIES	
2 PLC ±	3 PLC ± .025 [0.64]	APPLICATION SPEC -	SIZE	CAGE CODE
4 PLC ±	ANGLES ±0°30'0"	FINISH -	DRAWING NO	RESTRICTED TO
MATERIAL		WEIGHT 33.4 (g)	A2 4AFU8	DT15-12PX
		CUSTOMER DRAWING	SCALE 2:1	SHEET 1 OF 3 REV D

1471-9 (3/13)

THIS DRAWING IS UNPUBLISHED. RELEASED FOR PUBLICATION 2017
 © COPYRIGHT 2017 BY - ALL RIGHTS RESERVED.

REVISIONS				
P	LTR	DESCRIPTION	DATE	APVD
-		SEE SHEET 1	-	-

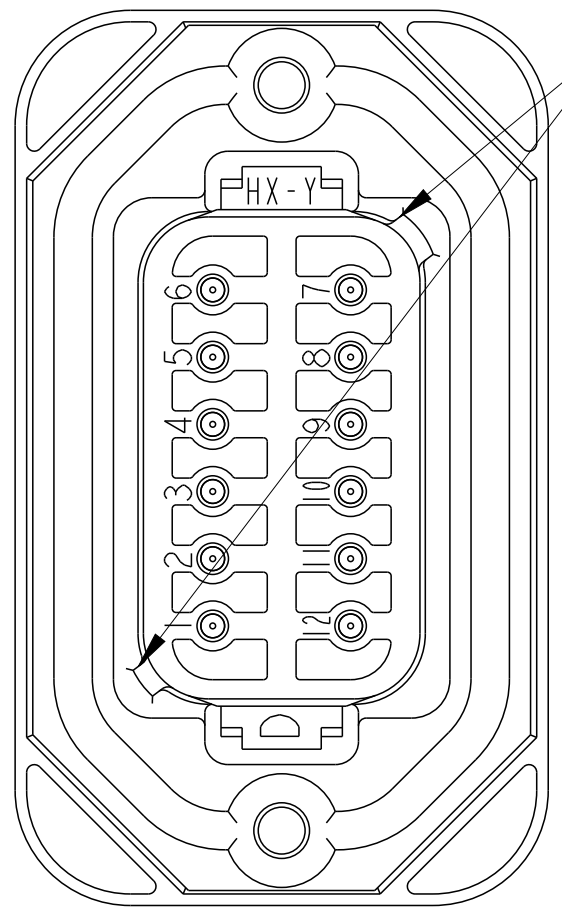
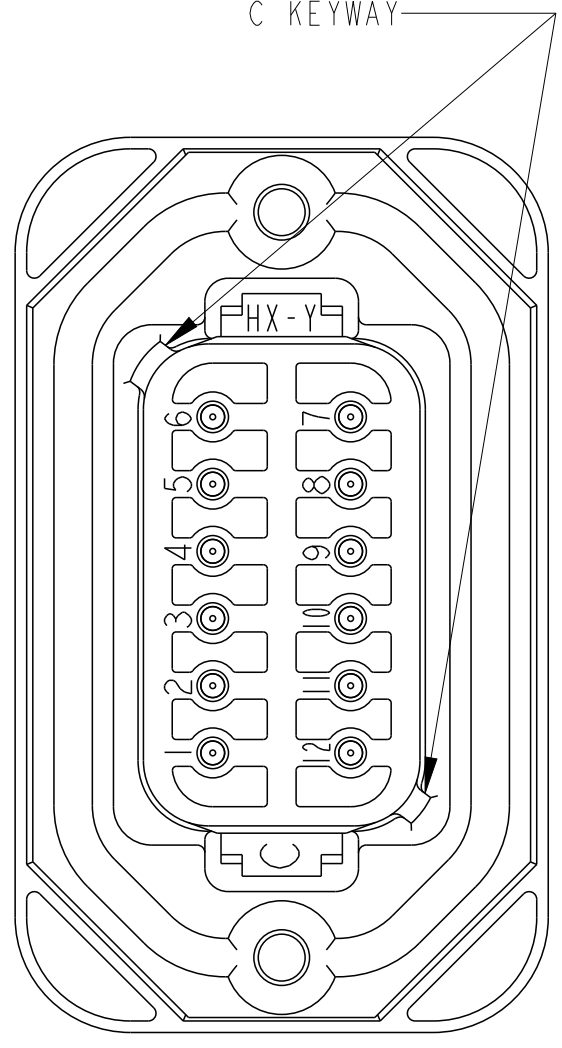
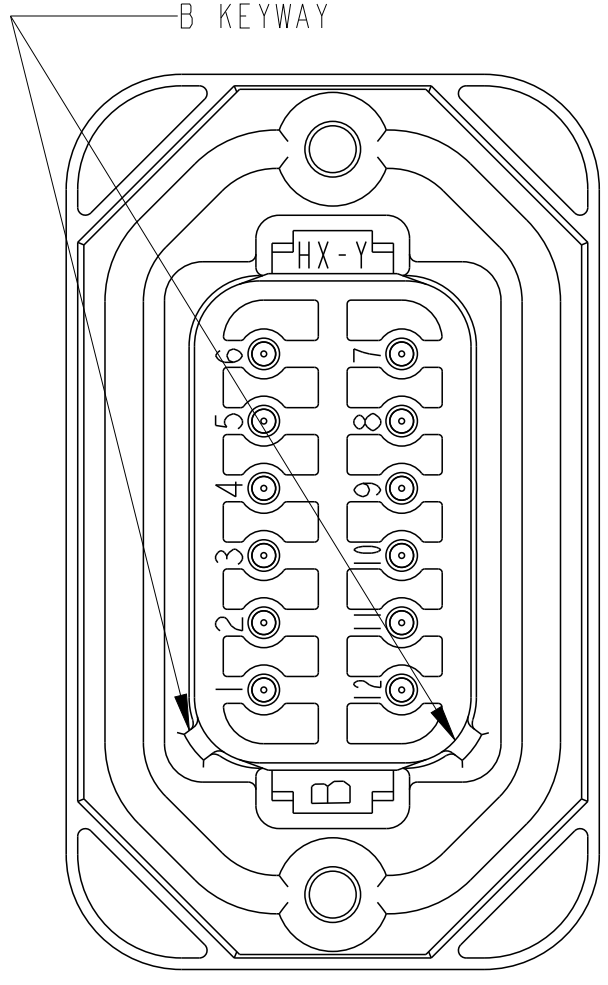
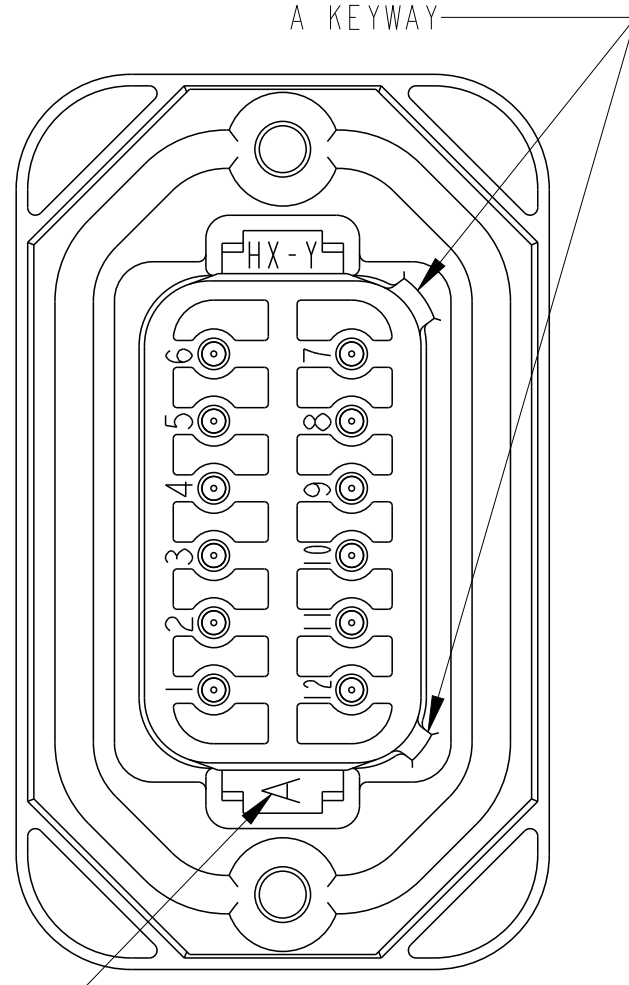


8 RECOMMENDED PANEL CUTOUTS

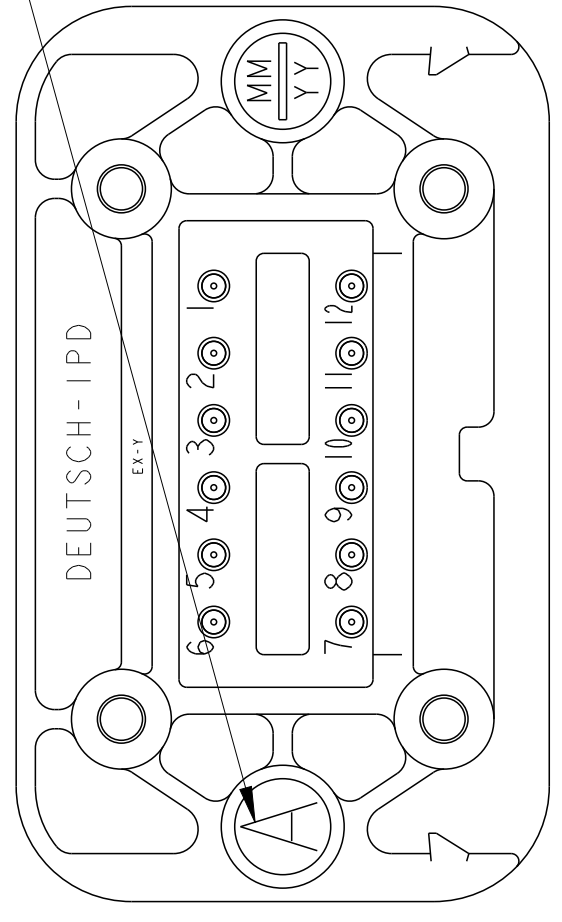
THIS DRAWING IS A CONTROLLED DOCUMENT.		DWN P. BURKE 08JUN2001	TE Connectivity	
DIMENSIONS: in [mm]		CHK K. MCKEE 03JUL2014		
TOLERANCES UNLESS OTHERWISE SPECIFIED:		APVD D. MEYER 03JUL2014	NAME RECEPTACLE HEADER	
0 PLC ±-		PRODUCT SPEC 108-151009	12 PIN 180 DEG.	
1 PLC ±		APPLICATION SPEC	DT SERIES	
2 PLC ±		SIZE	CAGE CODE	DRAWING NO
3 PLC ±.025 [0.64]		WEIGHT	4AFU8	DT15-12PX
4 PLC ±		CUSTOMER DRAWING	SCALE	RESTRICTED TO
ANGLES ±0°30'0"		SCALE 2:1	SHEET 2 OF 3	REV D
FINISH -				

THIS DRAWING IS UNPUBLISHED. RELEASED FOR PUBLICATION 2017
 © COPYRIGHT 2017 BY - ALL RIGHTS RESERVED.

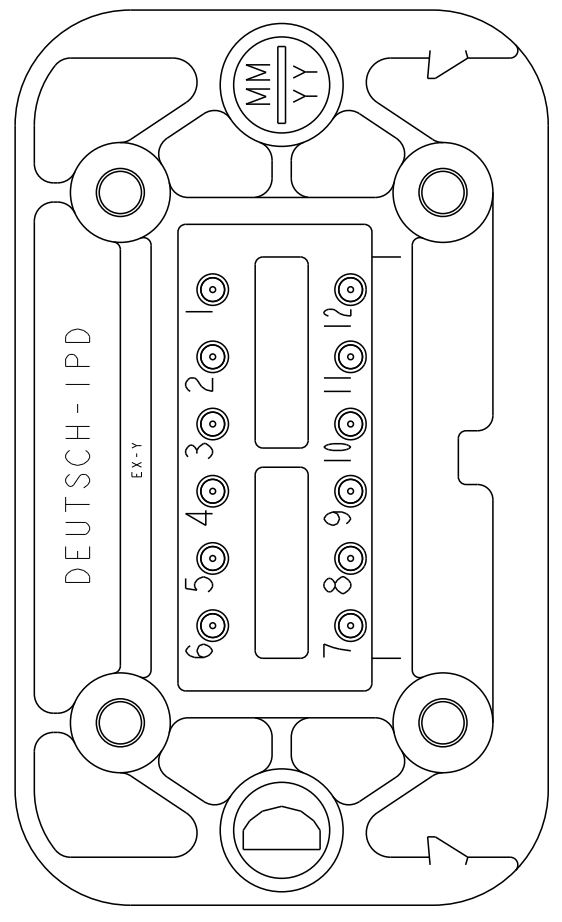
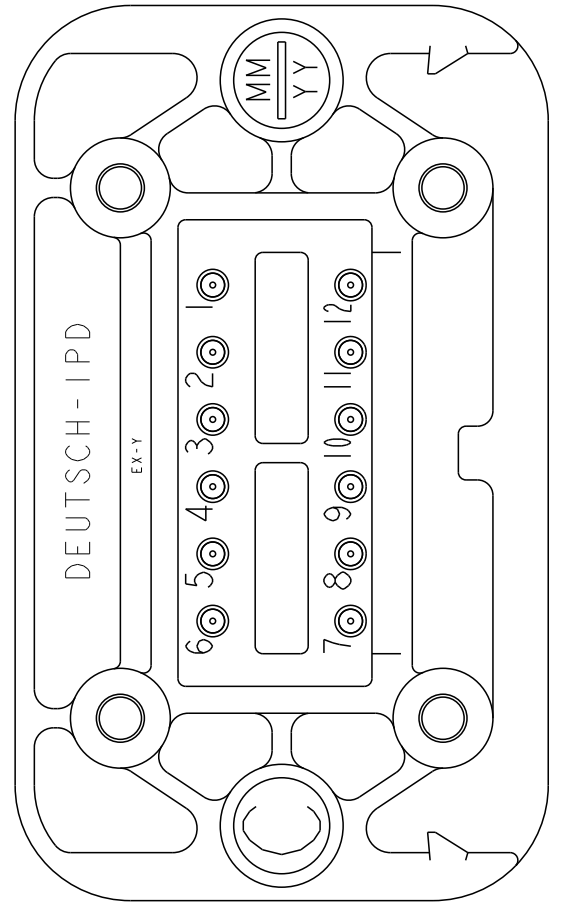
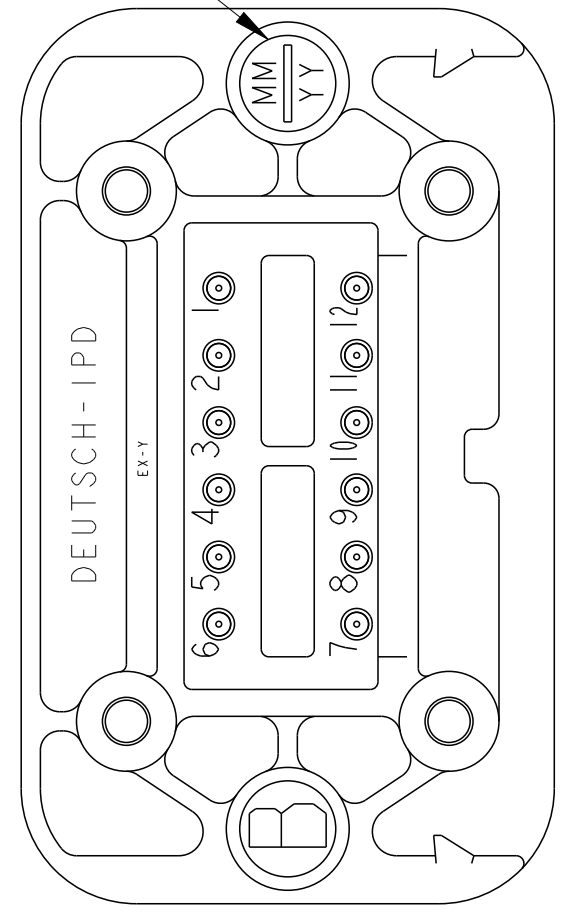
REVISIONS				
P	LTR	DESCRIPTION	DATE	APVD
-		SEE SHEET 1	-	-



KEYING ARRANGEMENT INDICATOR, TYP



DATE CODE




DT15-12PA
COLOR GREY

DT15-12PB
COLOR BLACK

DT15-12PC
COLOR GREEN

DT15-12PD
COLOR BROWN

THIS DRAWING IS A CONTROLLED DOCUMENT.		DWN P. BURKE 08JUN2001	 TE Connectivity	
DIMENSIONS: in [mm]		CHK K. MCKEE 03JUL2014		
TOLERANCES UNLESS OTHERWISE SPECIFIED:		APVD D. MEYER 03JUL2014	NAME RECEPTACLE HEADER 12 PIN 180 DEG. DT SERIES	
0 PLC ±		PRODUCT SPEC 108-151009	SIZE A2	
1 PLC ±		APPLICATION SPEC	CAGE CODE 4AFU8	
2 PLC ±.025 [0.64]		WEIGHT 33.4 (g)	DRAWING NO DT15-12PX	
3 PLC ±		CUSTOMER DRAWING	RESTRICTED TO	
4 PLC ±		SCALE 2:1	SHEET 3 OF 3	
ANGLES ±0°30'0"			REV D	
FINISH				