

# ADC088S052

*ADC088S052 8-Channel, 200 ksps to 500 ksps, 8-Bit A/D Converter*



Literature Number: SNAS340E

# ADC088S052

## 8-Channel, 200 kps to 500 kps, 8-Bit A/D Converter

### General Description

The ADC088S052 is a low-power, eight-channel CMOS 8-bit analog-to-digital converter specified for conversion throughput rates of 200 kps to 500 kps. The converter is based on a successive-approximation register architecture with an internal track-and-hold circuit. It can be configured to accept up to eight input signals at inputs IN0 through IN7.

The output serial data is straight binary and is compatible with several standards, such as SPI™, QSPI™, MICROWIRE™, and many common DSP serial interfaces.

The ADC088S052 may be operated with independent analog and digital supplies. The analog supply ( $V_A$ ) can range from +2.7V to +5.25V, and the digital supply ( $V_D$ ) can range from +2.7V to  $V_A$ . Normal power consumption using a +3V or +5V supply is 1.2 mW and 6.5 mW, respectively. The power-down feature reduces the power consumption to 0.03  $\mu$ W using a +3V supply and 0.15  $\mu$ W using a +5V supply.

The ADC088S052 is packaged in a 16-lead TSSOP package. Operation over the extended industrial temperature range of -40°C to +105°C is guaranteed.

### Features

- Eight input channels
- Variable power management
- Independent analog and digital supplies
- SPI/QSPI/MICROWIRE/DSP compatible
- Packaged in 16-lead TSSOP

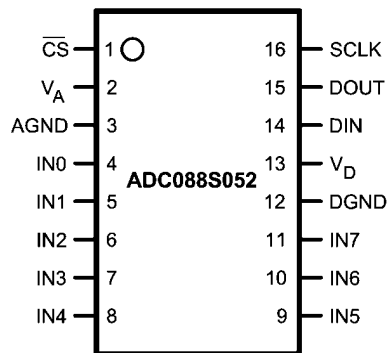
### Key Specifications

- |                                     |                     |
|-------------------------------------|---------------------|
| ■ Conversion Rate                   | 200 kps to 500 kps  |
| ■ DNL ( $V_A = V_D = 2.7V$ to 5.0V) | $\pm 0.2$ LSB (max) |
| ■ INL ( $V_A = V_D = 2.7V$ to 5.0V) | $\pm 0.2$ LSB (max) |
| ■ Power Consumption                 |                     |
| — 3V Supply                         | 1.2 mW (typ)        |
| — 5V Supply                         | 6.5 mW (typ)        |

### Applications

- Automotive Navigation
- Portable Systems
- Medical Instruments
- Mobile Communications
- Instrumentation and Control Systems

### Connection Diagram

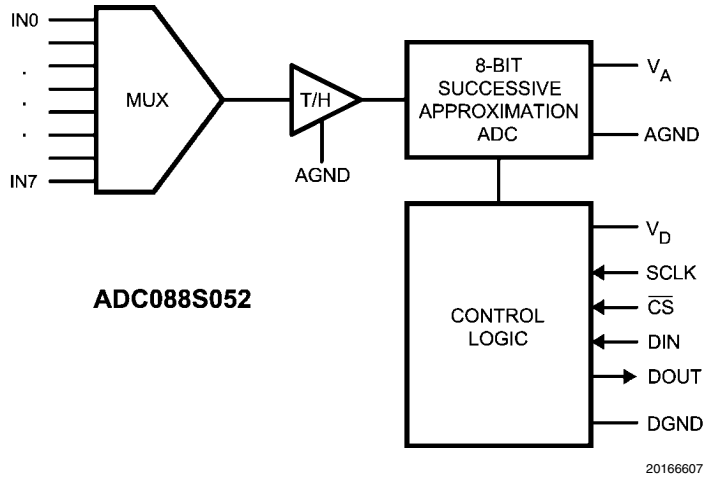


20166605

### Ordering Information

| Order Code      | Temperature Range | Description                        |
|-----------------|-------------------|------------------------------------|
| ADC088S052CIMT  | -40°C to +105°C   | 16-Lead TSSOP Package              |
| ADC088S052CIMTX | -40°C to +105°C   | 16-Lead TSSOP Package, Tape & Reel |
| ADC088S052EVAL  |                   | Evaluation Board                   |

## Block Diagram



## Pin Descriptions and Equivalent Circuits

| Pin No.             | Symbol          | Equivalent Circuit | Description   |
|---------------------|-----------------|--------------------|---|
| <b>ANALOG I/O</b>   |                 |                    |   |
| 4 - 11              | IN0 to IN7      |                    | Analog inputs. These signals can range from 0V to $V_{REF}$ .   |
| <b>DIGITAL I/O</b>  |                 |                    |   |
| 16                  | SCLK            |                    | Digital clock input. The guaranteed performance range of frequencies for this input is 3.2 MHz to 8 MHz. This clock directly controls the conversion and readout processes.   |
| 15                  | DOUT            |                    | Digital data output. The output samples are clocked out of this pin on the falling edges of the SCLK pin.   |
| 14                  | DIN             |                    | Digital data input. The ADC088S052's Control Register is loaded through this pin on rising edges of the SCLK pin.   |
| 1                   | $\overline{CS}$ |                    | Chip select. On the falling edge of $\overline{CS}$ , a conversion process begins. Conversions continue as long as $\overline{CS}$ is held low.   |
| <b>POWER SUPPLY</b> |                 |                    |   |
| 2                   | $V_A$           |                    | Positive analog supply pin. This voltage is also used as the reference voltage. This pin should be connected to a quiet +2.7V to +5.25V source and bypassed to GND with 1 $\mu$ F and 0.1 $\mu$ F monolithic ceramic capacitors located within 1 cm of the power pin. |
| 13                  | $V_D$           |                    | Positive digital supply pin. This pin should be connected to a +2.7V to $V_A$ supply, and bypassed to GND with a 0.1 $\mu$ F monolithic ceramic capacitor located within 1 cm of the power pin.   |
| 3                   | AGND            |                    | The ground return for the analog supply and signals.  |
| 12                  | DGND            |                    | The ground return for the digital supply and signals.   |

## Absolute Maximum Ratings *(Note 1)*

If Military/Aerospace specified devices are required, please contact the National Semiconductor Sales Office/Distributors for availability and specifications.

|   |                                     |
|---|-------------------------------------|
| Analog Supply Voltage $V_A$                   | -0.3V to 6.5V                       |
| Digital Supply Voltage $V_D$                  | -0.3V to $V_A + 0.3V$ ,<br>max 6.5V |
| Voltage on Any Pin to GND                     | -0.3V to $V_A + 0.3V$               |
| Input Current at Any Pin <i>(Note 3)</i>      | $\pm 10$ mA                         |
| Package Input Current <i>(Note 3)</i>         | $\pm 20$ mA                         |
| Power Dissipation at $T_A = 25^\circ\text{C}$ | See <i>(Note 4)</i>                 |
| ESD Susceptibility <i>(Note 5)</i>            |                                     |
| Human Body Model                              | 2500V                               |
| Machine Model                                 | 250V                                |

For soldering specifications:

see product folder at [www.national.com](http://www.national.com) and  
[www.national.com/ms/MS/MS-SOLDERING.pdf](http://www.national.com/ms/MS/MS-SOLDERING.pdf)

|                      |                 |
|----------------------|-----------------|
| Junction Temperature | +150°C          |
| Storage Temperature  | -65°C to +150°C |

## Operating Ratings *(Note 1, Note 2)*

|                       |  |
|-----------------------|--|
| Operating Temperature | $-40^\circ\text{C} \leq T_A \leq +105^\circ\text{C}$ |
| $V_A$ Supply Voltage  | +2.7V to +5.25V                                      |
| $V_D$ Supply Voltage  | +2.7V to $V_A$                                       |
| Digital Input Voltage | 0V to $V_A$  |
| Analog Input Voltage  | 0V to $V_A$  |
| Clock Frequency       | 50 kHz to 16 MHz                                     |

## Package Thermal Resistance

| Package                             | $\theta_{JA}$ |
|-------------------------------------|---------------|
| 16-lead TSSOP on 4-layer, 2 oz. PCB | 96°C / W      |

## ADC088S052 Converter Electrical Characteristics *(Note 7)*

The following specifications apply for  $V_A = V_D = +2.7V$  to +5.25V, AGND = DGND = 0V,  $f_{SCLK} = 3.2$  MHz to 8 MHz,  $f_{SAMPLE} = 200$  ksp/s to 500 ksp/s, and  $C_L = 50$  pF, unless otherwise noted. **Boldface limits apply for  $T_A = T_{MIN}$  to  $T_{MAX}$** ; all other limits  $T_A = 25^\circ\text{C}$ .

| Symbol                                   | Parameter                                      | Conditions                         | Typical    | Limits <i>(Note 6)</i>      | Units               |
|--|--|------------------------------------|------------|-----------------------------|---------------------|
| <b>STATIC CONVERTER CHARACTERISTICS</b>  |  |                                    |            |                             |                     |
|  | Resolution with No Missing Codes               |                                    |            | <b>8</b>                    | Bits                |
| INL                                      | Integral Non-Linearity (End Point Method)      |                                    | $\pm 0.05$ | <b><math>\pm 0.2</math></b> | LSB (max)           |
| DNL                                      | Differential Non-Linearity                     |                                    | $\pm 0.06$ | <b><math>\pm 0.2</math></b> | LSB (min)           |
| $V_{OFF}$                                | Offset Error                                   |                                    | +0.6       | <b><math>\pm 0.7</math></b> | LSB (max)           |
| OEM                                      | Offset Error Match                             |                                    | $\pm 0.02$ | <b><math>\pm 0.2</math></b> | LSB (max)           |
| FSE                                      | Full Scale Error                               |                                    | +0.5       | <b><math>\pm 0.6</math></b> | LSB (max)           |
| FSEM                                     | Full Scale Error Match                         |                                    | $\pm 0.01$ | <b><math>\pm 0.2</math></b> | LSB (max)           |
| <b>DYNAMIC CONVERTER CHARACTERISTICS</b> |  |                                    |            |                             |                     |
| FPBW                                     | Full Power Bandwidth (-3dB)                    |                                    | 8          |                             | MHz                 |
| SINAD                                    | Signal-to-Noise Plus Distortion Ratio          | $f_{IN} = 40.2$ kHz, -0.02 dBFS    | 49.6       | <b>49.2</b>                 | dB (min)            |
| SNR                                      | Signal-to-Noise Ratio                          | $f_{IN} = 40.2$ kHz, -0.02 dBFS    | 49.6       | <b>49.3</b>                 | dB (min)            |
| THD                                      | Total Harmonic Distortion                      | $f_{IN} = 40.2$ kHz, -0.02 dBFS    | -70.6      | <b>-63.1</b>                | dB (max)            |
| SFDR                                     | Spurious-Free Dynamic Range                    | $f_{IN} = 40.2$ kHz, -0.02 dBFS    | 68.1       | <b>64.8</b>                 | dB (min)            |
| ENOB                                     | Effective Number of Bits                       | $f_{IN} = 40.2$ kHz                | 7.95       | <b>7.88</b>                 | Bits (min)          |
| ISO                                      | Channel-to-Channel Isolation                   | $f_{IN} = 20$ kHz                  | 67.3       |                             | dB                  |
| IMD                                      | Intermodulation Distortion, Second Order Terms | $f_a = 19.5$ kHz, $f_b = 20.5$ kHz | -75.0      |                             | dB                  |
|  | Intermodulation Distortion, Third Order Terms  | $f_a = 19.5$ kHz, $f_b = 20.5$ kHz | -69.4      |                             | dB                  |
| <b>ANALOG INPUT CHARACTERISTICS</b>      |  |                                    |            |                             |                     |
| $V_{IN}$                                 | Input Range                                    |                                    | 0 to $V_A$ |                             | V                   |
| $I_{DCL}$                                | DC Leakage Current                             |                                    |            | <b><math>\pm 1</math></b>   | $\mu\text{A}$ (max) |
| $C_{INA}$                                | Input Capacitance                              | Track Mode                         | 33         |                             | pF                  |
|  |  | Hold Mode                          | 3          |                             | pF                  |

| Symbol   | Parameter   | Conditions   | Typical                   | Limits<br>(Note 6)            | Units         |
|--|---|--|---------------------------|-------------------------------|---------------|
| <b>DIGITAL INPUT CHARACTERISTICS</b>                           |   |  |                           |                               |               |
| $V_{IH}$   | Input High Voltage  | $V_A = V_D = +2.7V$ to $+3.6V$   |                           | <b>2.1</b>                    | V (min)       |
|  |   | $V_A = V_D = +4.75V$ to $+5.25V$   |                           | <b>2.4</b>                    | V (min)       |
| $V_{IL}$   | Input Low Voltage   |  |                           | <b>0.8</b>                    | V (max)       |
| $I_{IN}$   | Input Current   | $V_{IN} = 0V$ or $V_D$   | $\pm 0.01$                | <b><math>\pm 1</math></b>     | $\mu A$ (max) |
| $C_{IND}$  | Digital Input Capacitance                                     |  | 2                         | <b>4</b>                      | pF (max)      |
| <b>DIGITAL OUTPUT CHARACTERISTICS</b>                          |   |  |                           |                               |               |
| $V_{OH}$   | Output High Voltage   | $I_{SOURCE} = 200 \mu A$ ,   |                           | <b><math>V_D - 0.5</math></b> | V (min)       |
| $V_{OL}$   | Output Low Voltage  | $I_{SINK} = 200 \mu A$ to $1.0 mA$ ,   |                           | <b>0.4</b>                    | V (max)       |
| $I_{OZH}, I_{OZL}$   | Hi-Impedance Output Leakage Current                           |  |                           | <b><math>\pm 1</math></b>     | $\mu A$ (max) |
| $C_{OUT}$  | Hi-Impedance Output Capacitance<br>(Note 7)                   |  | 2                         | <b>4</b>                      | pF (max)      |
|  | Output Coding   |  | Straight (Natural) Binary |                               |               |
| <b>POWER SUPPLY CHARACTERISTICS (<math>C_L = 10 pF</math>)</b> |   |  |                           |                               |               |
| $V_A, V_D$   | Analog and Digital Supply Voltages                            | $V_A \geq V_D$   |                           | <b>2.7</b>                    | V (min)       |
|  |   |  |                           | <b>5.25</b>                   | V (max)       |
| $I_A + I_D$  | Total Supply Current<br>Normal Mode ( $\overline{CS}$ low)    | $V_A = V_D = +2.7V$ to $+3.6V$ ,<br>$f_{SAMPLE} = 500 kSPS, f_{IN} = 40 kHz$   | 0.4                       | <b>1.0</b>                    | mA (max)      |
|  |   | $V_A = V_D = +4.75V$ to $+5.25V$ ,<br>$f_{SAMPLE} = 500 kSPS, f_{IN} = 40 kHz$ | 1.3                       | <b>1.7</b>                    | mA (max)      |
|  | Total Supply Current<br>Shutdown Mode ( $\overline{CS}$ high) | $V_A = V_D = +2.7V$ to $+3.6V$ ,<br>$f_{SCLK} = 0 kSPS$                        | 10                        |                               | nA            |
|  |   | $V_A = V_D = +4.75V$ to $+5.25V$ ,<br>$f_{SCLK} = 0 kSPS$                      | 30                        |                               | nA            |
| $P_C$  | Power Consumption<br>Normal Mode ( $\overline{CS}$ low)       | $V_A = V_D = +3.0V$<br>$f_{SAMPLE} = 500 kSPS, f_{IN} = 40 kHz$                | 1.2                       | <b>3.0</b>                    | mW (max)      |
|  |   | $V_A = V_D = +5.0V$<br>$f_{SAMPLE} = 500 kSPS, f_{IN} = 40 kHz$                | 6.5                       | <b>8.5</b>                    | mW (max)      |
|  | Power Consumption<br>Shutdown Mode ( $\overline{CS}$ high)    | $V_A = V_D = +3.0V$<br>$f_{SCLK} = 0 kSPS$                                     | 0.03                      |                               | $\mu W$       |
|  |   | $V_A = V_D = +5.0V$<br>$f_{SCLK} = 0 kSPS$                                     | 0.15                      |                               | $\mu W$       |
| <b>AC ELECTRICAL CHARACTERISTICS</b>                           |   |  |                           |                               |               |
| $f_{SCLK\_MIN}$  | Minimum Clock Frequency                                       |  | 0.8                       | <b>3.2</b>                    | MHz (min)     |
| $f_{SCLK}$   | Maximum Clock Frequency                                       |  | 16                        | <b>8</b>                      | MHz (max)     |
| $f_s$  | Sample Rate<br>Continuous Mode                                |  | 50                        | <b>200</b>                    | ksps (min)    |
|  |   |  | 1000                      | <b>500</b>                    | ksps (max)    |
| $t_{CONVERT}$  | Conversion (Hold) Time  |  |                           | <b>13</b>                     | SCLK cycles   |
| DC   | SCLK Duty Cycle   |  | 30                        | <b>40</b>                     | % (min)       |
|  |   |  | 70                        | <b>60</b>                     | % (max)       |
| $t_{ACQ}$  | Acquisition (Track) Time                                      |  |                           | <b>3</b>                      | SCLK cycles   |
|  | Throughput Time   | Acquisition Time + Conversion Time   |                           | <b>16</b>                     | SCLK cycles   |
| $t_{AD}$   | Aperture Delay  |  | 4                         |                               | ns            |

## ADC088S052 Timing Specifications

The following specifications apply for  $V_A = V_D = +2.7V$  to  $+5.25V$ ,  $AGND = DGND = 0V$ ,  $f_{SCLK} = 3.2$  MHz to  $8$  MHz,  $f_{SAMPLE} = 200$  kpsps to  $500$  kpsps, and  $C_L = 50pF$ . **Boldface limits apply for  $T_A = T_{MIN}$  to  $T_{MAX}$** ; all other limits  $T_A = 25^\circ C$ .

| Symbol     | Parameter  | Conditions   | Typical | Limits<br>(Note 6)                      | Units    |
|------------|--|--------------|---------|---|----------|
| $t_{CSH}$  | $\overline{CS}$ Hold Time after SCLK Rising Edge     |              | 0       | <b>10</b>                               | ns (min) |
| $t_{CSS}$  | $\overline{CS}$ Setup Time prior to SCLK Rising Edge |              | 5       | <b>10</b>                               | ns (min) |
| $t_{EN}$   | $\overline{CS}$ Falling Edge to DOUT enabled         |              | 5       | <b>30</b>                               | ns (max) |
| $t_{DACC}$ | DOUT Access Time after SCLK Falling Edge             |              | 17      | <b>27</b>                               | ns (max) |
| $t_{DHLD}$ | DOUT Hold Time after SCLK Falling Edge               |              | 4       |   | ns (typ) |
| $t_{DS}$   | DIN Setup Time prior to SCLK Rising Edge             |              | 3       | <b>10</b>                               | ns (min) |
| $t_{DH}$   | DIN Hold Time after SCLK Rising Edge                 |              | 3       | <b>10</b>                               | ns (min) |
| $t_{CH}$   | SCLK High Time                                       |              |         | <b><math>0.4 \times t_{SCLK}</math></b> | ns (min) |
| $t_{CL}$   | SCLK Low Time  |              |         | <b><math>0.4 \times t_{SCLK}</math></b> | ns (min) |
| $t_{DIS}$  | $\overline{CS}$ Rising Edge to DOUT High-Impedance   | DOUT falling | 2.4     | <b>20</b>                               | ns (max) |
|            |  | DOUT rising  | 0.9     | <b>20</b>                               | ns (max) |

**Note 1:** Absolute Maximum Ratings indicate limits beyond which damage to the device may occur. Operating Ratings indicate conditions for which the device is functional, but do not guarantee specific performance limits. For guaranteed specifications and test conditions, see the Electrical Characteristics. The guaranteed specifications apply only for the test conditions listed. Some performance characteristics may degrade when the device is not operated under the listed test conditions.

**Note 2:** All voltages are measured with respect to  $GND = 0V$ , unless otherwise specified.

**Note 3:** When the input voltage at any pin exceeds the power supplies (that is,  $V_{IN} < AGND$  or  $V_{IN} > V_A$  or  $V_D$ ), the current at that pin should be limited to  $10$  mA. The  $20$  mA maximum package input current rating limits the number of pins that can safely exceed the power supplies with an input current of  $10$  mA to two.

**Note 4:** The absolute maximum junction temperature ( $T_{jmax}$ ) for this device is  $150^\circ C$ . The maximum allowable power dissipation is dictated by  $T_{jmax}$ , the junction-to-ambient thermal resistance ( $\theta_{JA}$ ), and the ambient temperature ( $T_A$ ), and can be calculated using the formula  $P_{DMAX} = (T_{jmax} - T_A)/\theta_{JA}$ . In the 16-pin TSSOP,  $\theta_{JA}$  is  $96^\circ C/W$ , so  $P_{DMAX} = 1,200$  mW at  $25^\circ C$  and  $625$  mW at the maximum operating ambient temperature of  $105^\circ C$ . Note that the power consumption of this device under normal operation is a maximum of  $12$  mW. The values for maximum power dissipation listed above will be reached only when the ADC088S052 is operated in a severe fault condition (e.g. when input or output pins are driven beyond the power supply voltages, or the power supply polarity is reversed). Obviously, such conditions should always be avoided.

**Note 5:** Human body model is  $100$  pF capacitor discharged through a  $1.5$  k $\Omega$  resistor. Machine model is  $220$  pF discharged through ZERO ohms

**Note 6:** Tested limits are guaranteed to National's AOQL (Average Outgoing Quality Level).

**Note 7:** The min/max specification limits are guaranteed by design, test, or statistical analysis.

# Timing Diagrams

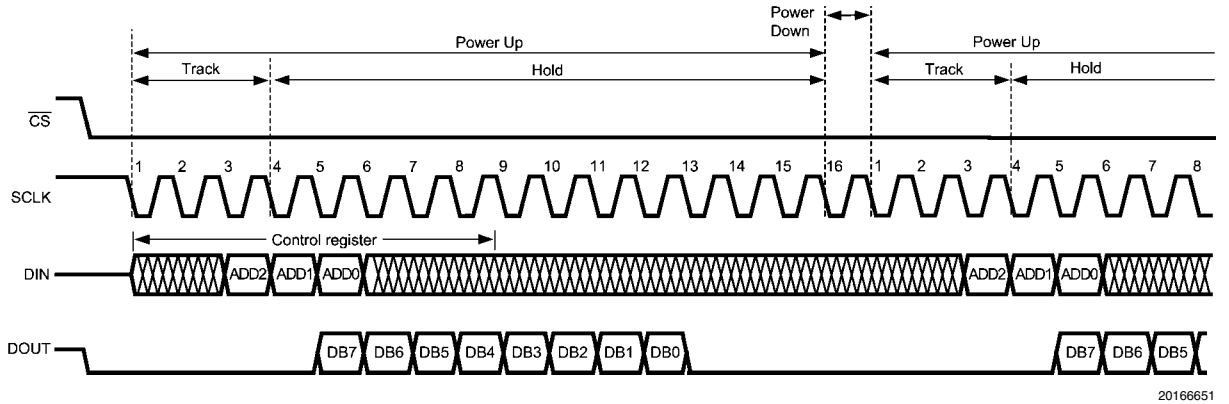


FIGURE 1. ADC088S052 Operational Timing Diagram

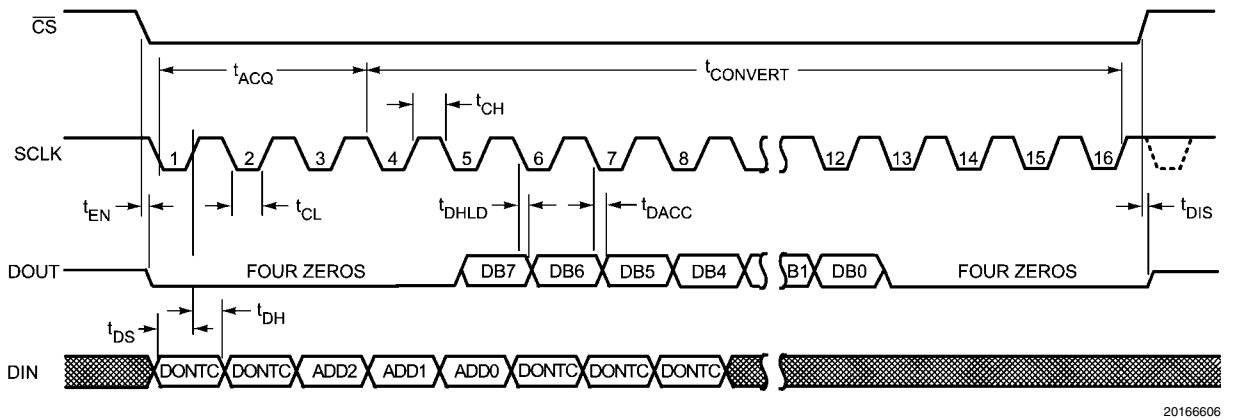


FIGURE 2. ADC088S052 Serial Timing Diagram

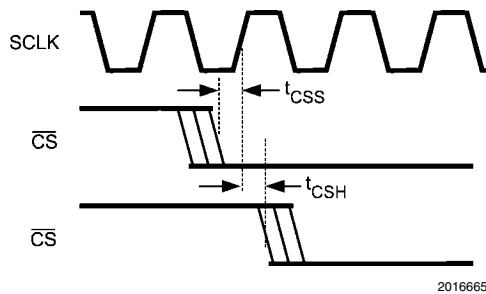


FIGURE 3. SCLK and  $\overline{CS}$  Timing Parameters

## Specification Definitions

**ACQUISITION TIME** is the time required for the ADC to acquire the input voltage. During this time, the hold capacitor is charged by the input voltage.

**APERTURE DELAY** is the time between the fourth falling edge of SCLK and the time when the input signal is internally acquired or held for conversion.

**CONVERSION TIME** is the time required, after the input voltage is acquired, for the ADC to convert the input voltage to a digital word.

**CHANNEL-TO-CHANNEL ISOLATION** is resistance to coupling of energy from one channel into another channel.

**CROSTALK** is the coupling of energy from one channel into another channel. This is similar to Channel-to-Channel Isolation, except for the sign of the data.

**DIFFERENTIAL NON-LINEARITY (DNL)** is the measure of the maximum deviation from the ideal step size of 1 LSB.

**DUTY CYCLE** is the ratio of the time that a repetitive digital waveform is high to the total time of one period. The specification here refers to the SCLK.

**EFFECTIVE NUMBER OF BITS (ENOB, or EFFECTIVE BITS)** is another method of specifying Signal-to-Noise and Distortion or SINAD. ENOB is defined as  $(\text{SINAD} - 1.76) / 6.02$  and says that the converter is equivalent to a perfect ADC of this (ENOB) number of bits.

**FULL POWER BANDWIDTH** is a measure of the frequency at which the reconstructed output fundamental drops 3 dB below its low frequency value for a full scale input.

**FULL SCALE ERROR (FSE)** is a measure of how far the last code transition is from the ideal  $1\frac{1}{2}$  LSB below  $V_{\text{REF}}$ , and is defined as:

$$V_{\text{FSE}} = V_{\text{max}} + 1.5 \text{ LSB} - V_{\text{REF}}$$

where  $V_{\text{max}}$  is the voltage at which the transition to the maximum code occurs. FSE can be expressed in Volts, LSB or percent of full scale range.

**GAIN ERROR** is the deviation of the last code transition (111...110) to (111...111) from the ideal ( $V_{\text{REF}} - 1.5 \text{ LSB}$ ), after adjusting for offset error.

**INTEGRAL NON-LINEARITY (INL)** is a measure of the deviation of each individual code from a line drawn from negative full scale ( $\frac{1}{2}$  LSB below the first code transition) through positive full scale ( $\frac{1}{2}$  LSB above the last code transition). The deviation of any given code from this straight line is measured from the center of that code value.

**INTERMODULATION DISTORTION (IMD)** is the creation of additional spectral components as a result of two sinusoidal frequencies being applied to an individual ADC input at the same time. It is defined as the ratio of the power in the second and third order intermodulation products to the power in one of the original frequencies. Second order products are  $f_a \pm f_b$ , where  $f_a$  and  $f_b$  are the two sine wave input frequencies. Third order products are  $(2f_a \pm f_b)$  and  $(f_a \pm 2f_b)$ . IMD is usually expressed in dB.

**MISSING CODES** are those output codes that will never appear at the ADC outputs. These codes cannot be reached with any input value. The ADC088S052 is guaranteed not to have any missing codes.

**OFFSET ERROR** is the deviation of the first code transition (000...000) to (000...001) from the ideal (i.e.  $\text{GND} + 0.5 \text{ LSB}$ ).

**SIGNAL TO NOISE RATIO (SNR)** is the ratio, expressed in dB, of the rms value of the input signal to the rms value of the sum of all other spectral components below one-half the sampling frequency, not including harmonics or d.c.

**SIGNAL TO NOISE PLUS DISTORTION (S/N+D or SINAD)** is the ratio, expressed in dB, of the rms value of the input signal to the rms value of all of the other spectral components below half the clock frequency, including harmonics but excluding d.c.

**SPURIOUS FREE DYNAMIC RANGE (SFDR)** is the difference, expressed in dB, between the rms values of the input signal and the peak spurious signal where a spurious signal is any signal present in the output spectrum that is not present at the input, including harmonics but excluding d.c.

**TOTAL HARMONIC DISTORTION (THD)** is the ratio, expressed in dBc, of the rms total of the first five harmonic components at the output to the rms level of the input signal frequency as seen at the output. THD is calculated as

$$\text{THD} = 20 \cdot \log_{10} \sqrt{\frac{A_{f2}^2 + \dots + A_{f6}^2}{A_{f1}^2}}$$

where  $A_{f1}$  is the RMS power of the input frequency at the output and  $A_{f2}$  through  $A_{f6}$  are the RMS power in the first 5 harmonic frequencies.

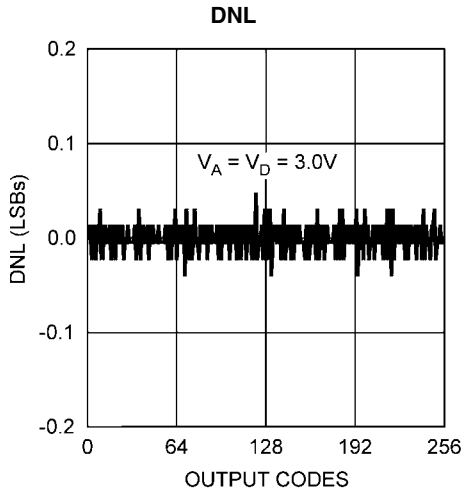
**THROUGHPUT TIME** is the minimum time required between the start of two successive conversions. It is the acquisition time plus the conversion and read out times. In the case of the ADC088S052, this is 16 SCLK periods.



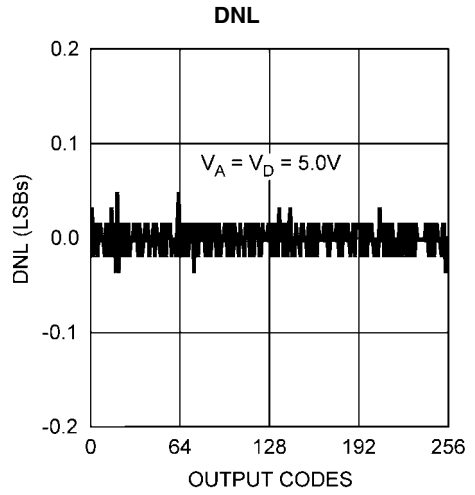
# Typical Performance Characteristics

$f_{IN} = 40.2 \text{ kHz}$  unless otherwise stated.

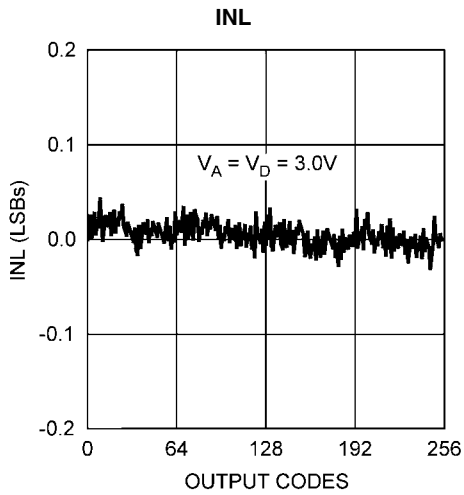
$V_A = V_D = +5.0V$ ,  $T_A = +25^\circ\text{C}$ ,  $f_{SAMPLE} = 500 \text{ kpsps}$ ,  $f_{SCLK} = 8 \text{ MHz}$ ,



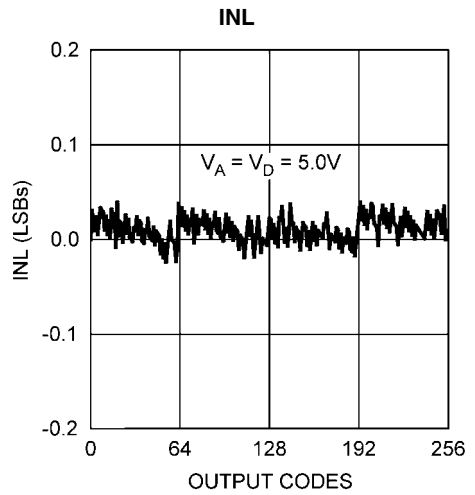
20166640



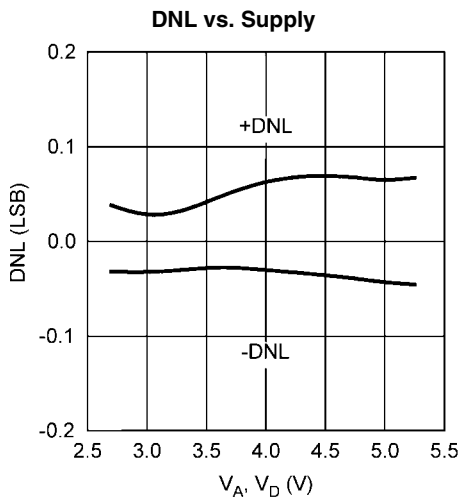
20166641



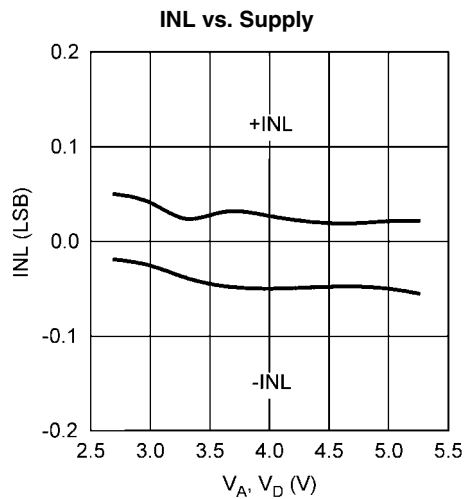
20166642



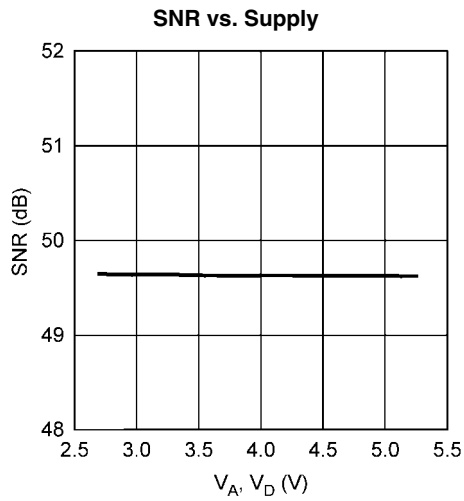
20166643



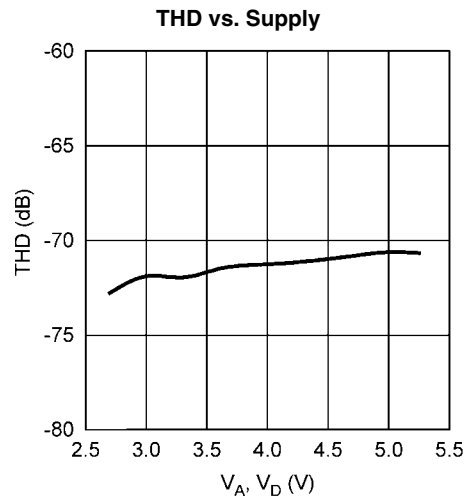
20166621



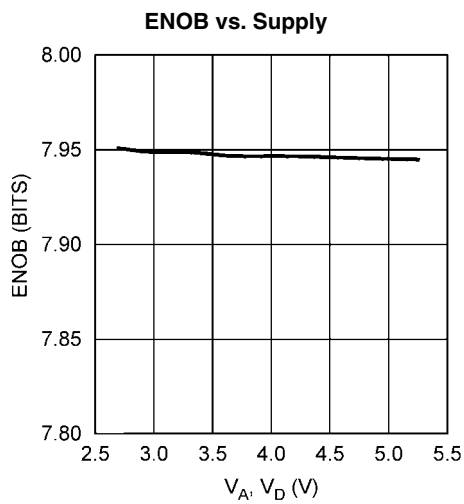
20166620



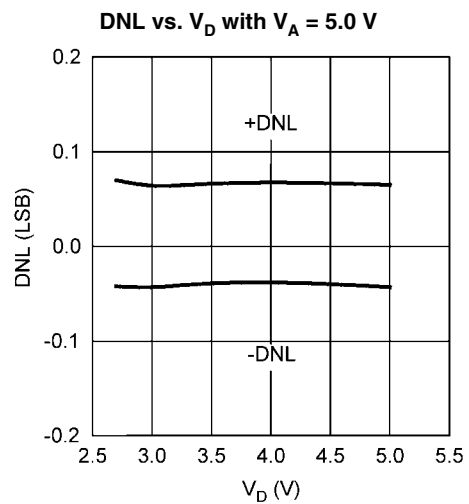
20166622



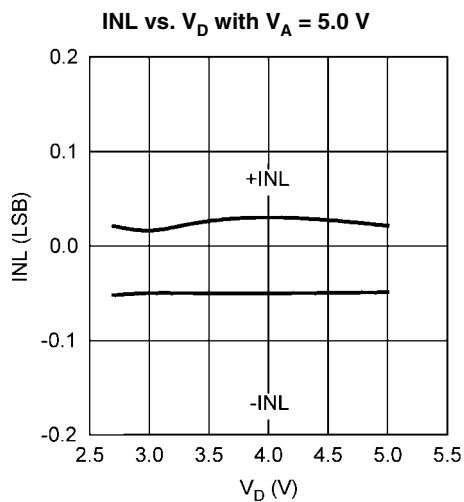
20166632



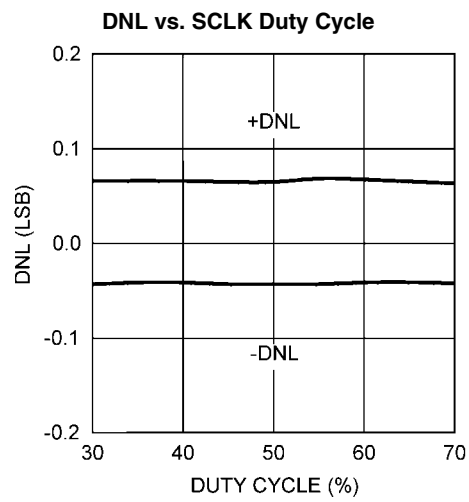
20166633



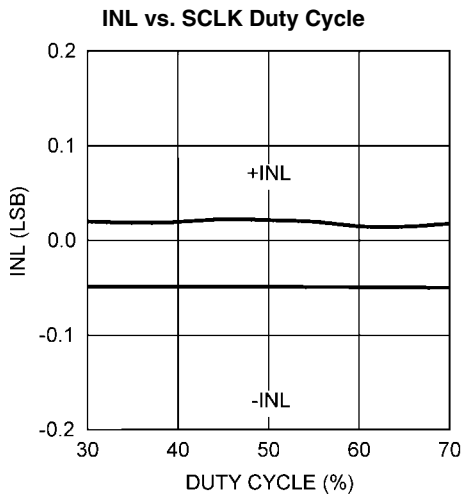
20166630



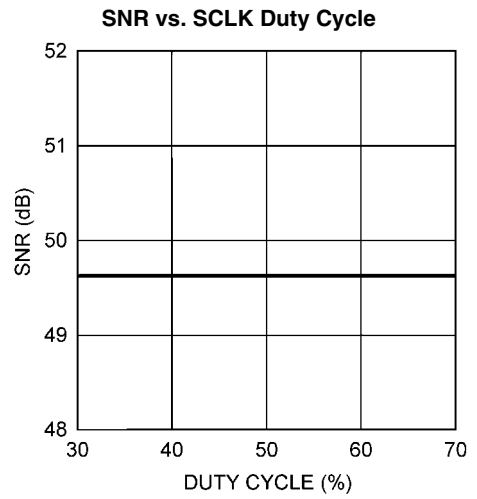
20166631



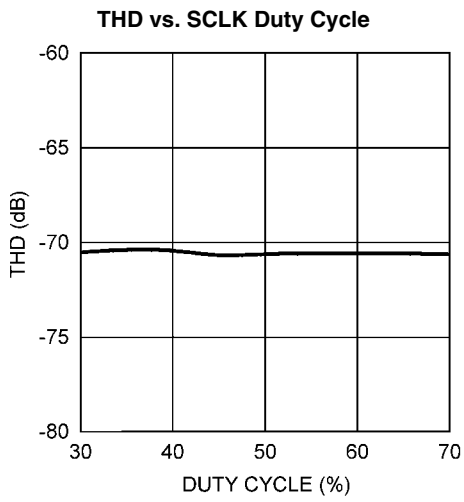
20166655



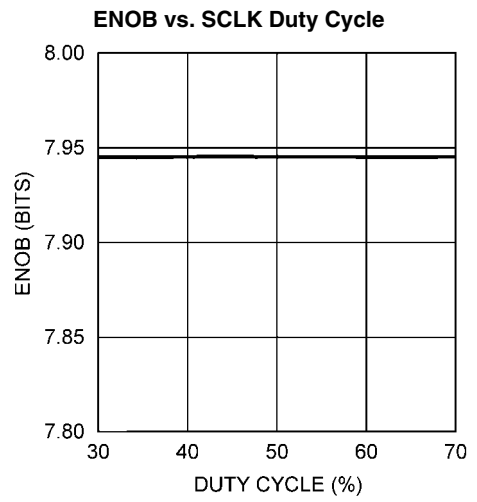
20166658



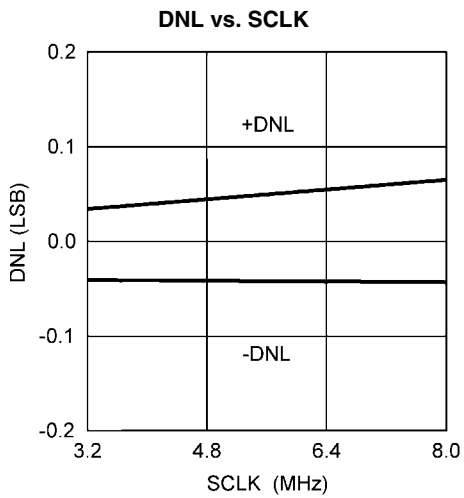
20166661



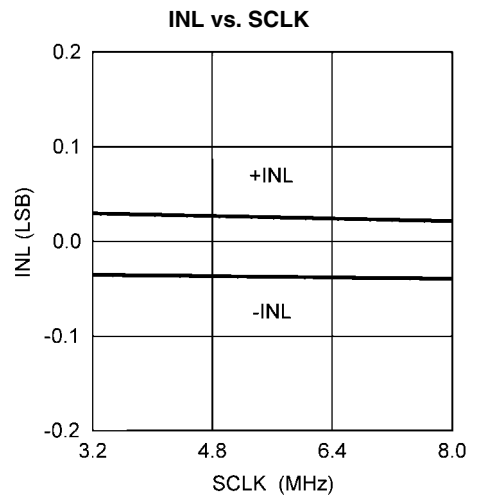
20166664



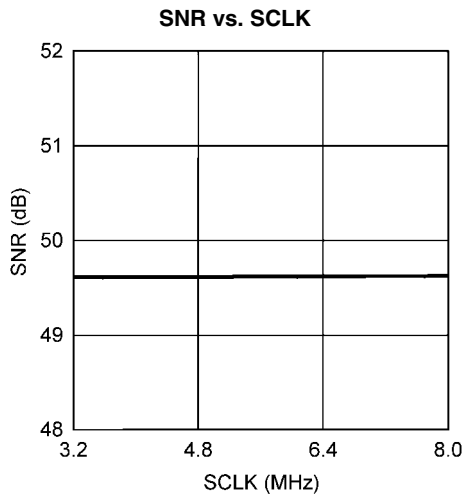
20166652



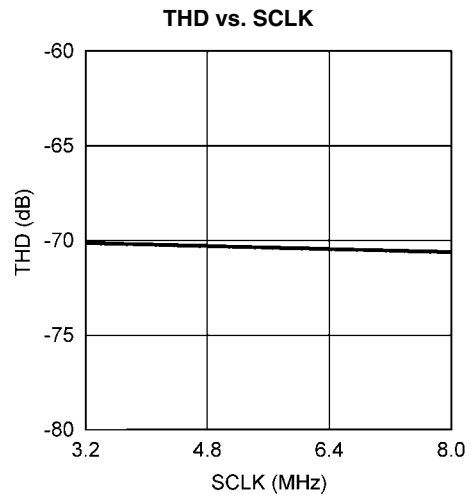
20166656



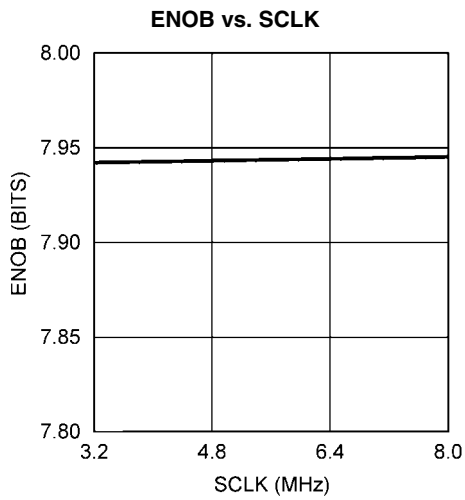
20166659



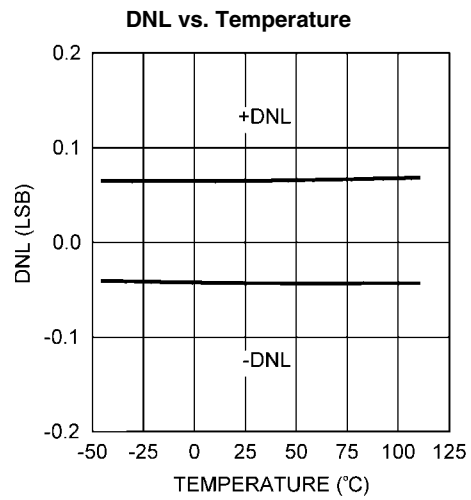
20166662



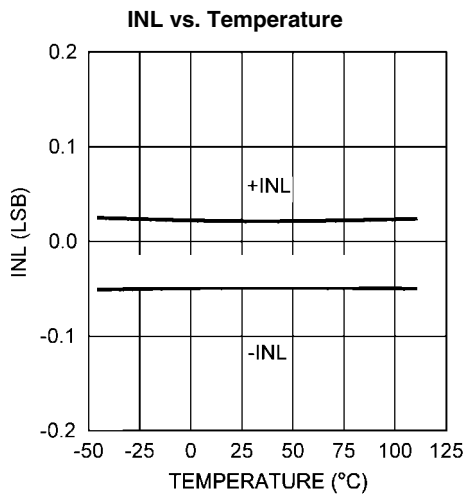
20166665



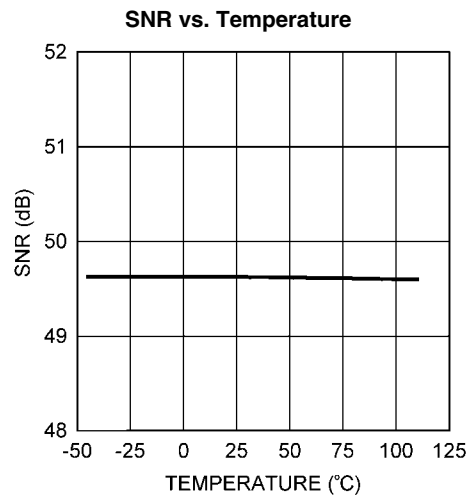
20166653



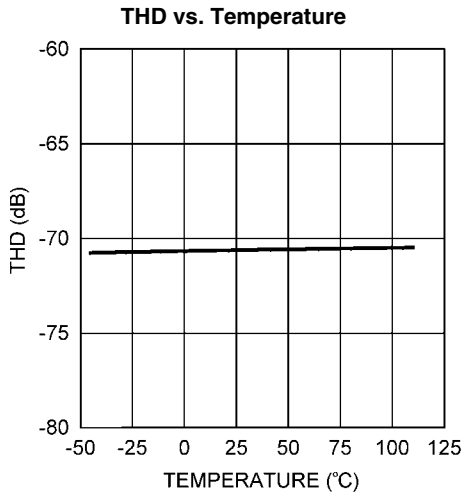
20166657



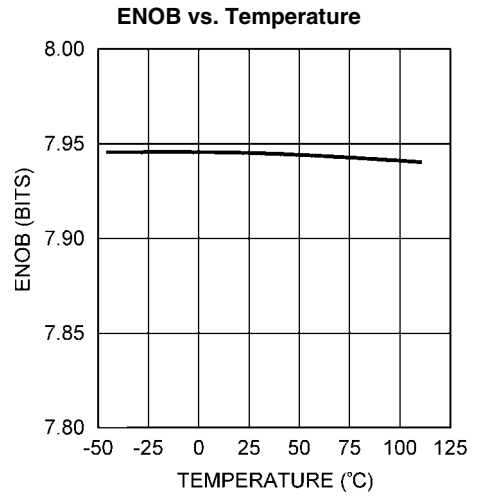
20166660



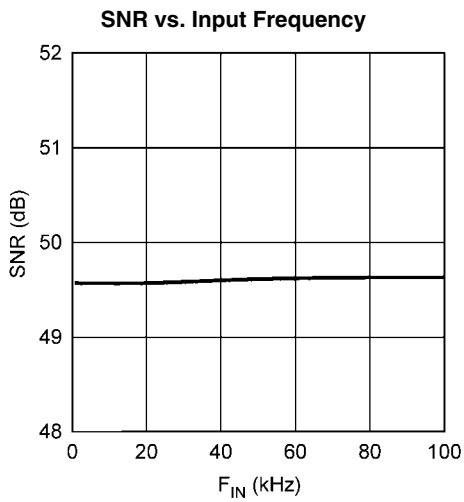
20166663



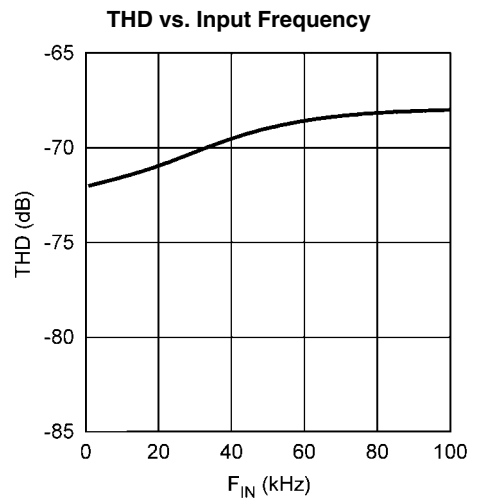
20166666



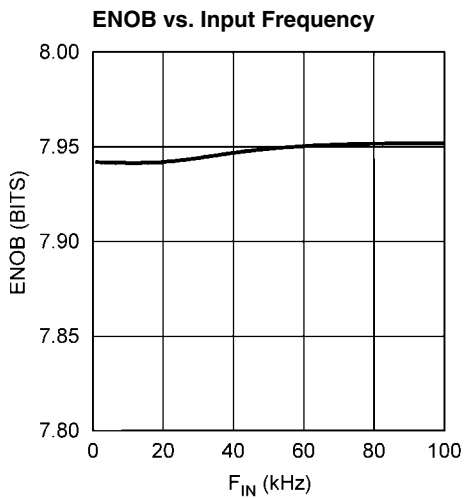
20166654



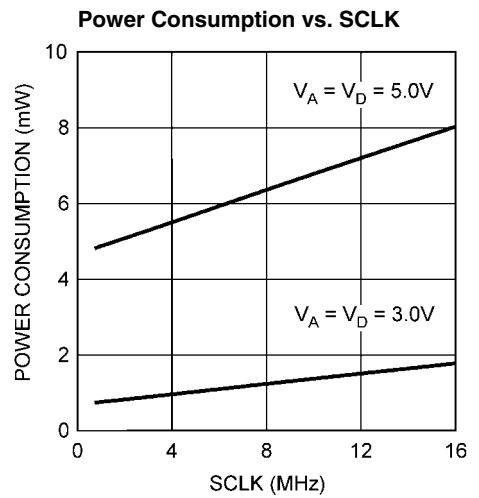
20166623



20166624



20166625



20166644

## 1.0 Functional Description

The ADC088S052 is a successive-approximation analog-to-digital converter designed around a charge-redistribution digital-to-analog converter.

### 1.1 ADC088S052 OPERATION

Simplified block diagrams of the ADC088S052 in both track and hold operation are shown in [Figure 4](#) and [Figure 5](#) respectively. In [Figure 4](#), the ADC088S052 is in track mode: switch SW1 connects the sampling capacitor to one of eight analog input channels through the multiplexer, and SW2 balances the comparator inputs. The ADC088S052 is in this state for the first three SCLK cycles after  $\overline{CS}$  is brought low.

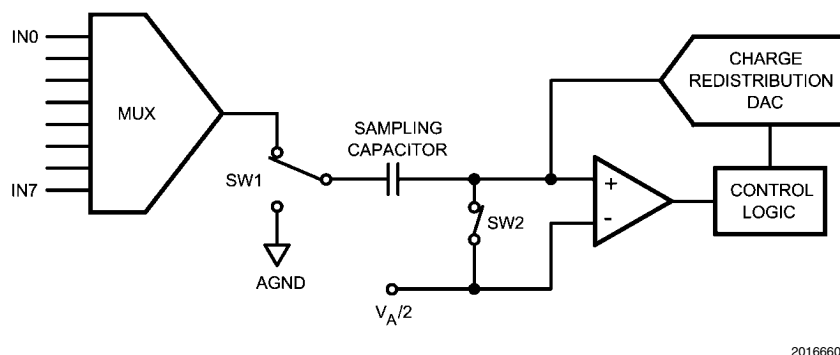


FIGURE 4. ADC088S052 in Track Mode

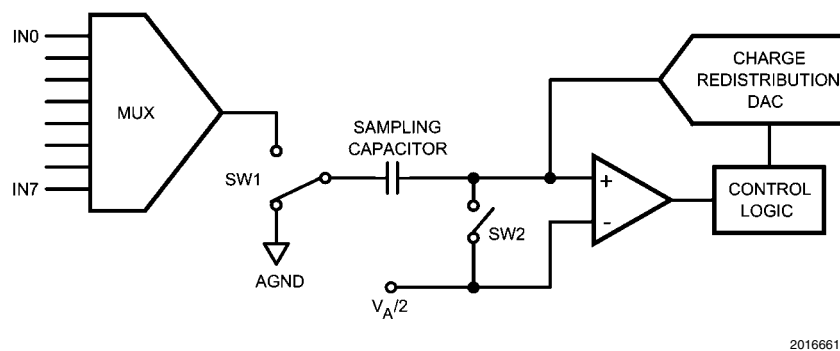


FIGURE 5. ADC088S052 in Hold Mode

### 1.2 SERIAL INTERFACE

An operational timing diagram and a serial interface timing diagram for the ADC088S052 are shown in The Timing Diagrams section.  $\overline{CS}$ , chip select, initiates conversions and frames the serial data transfers. SCLK (serial clock) controls both the conversion process and the timing of serial data. DOUT is the serial data output pin, where a conversion result is sent as a serial data stream, MSB first. Data to be written to the ADC088S052's Control Register is placed at DIN, the serial data input pin. New data is written to the ADC at DIN with each conversion.

A serial frame is initiated on the falling edge of  $\overline{CS}$  and ends on the rising edge of  $\overline{CS}$ . Each frame must contain an integer multiple of 16 rising SCLK edges. The ADC's DOUT pin is in a high impedance state when  $\overline{CS}$  is high and is active when  $\overline{CS}$  is low. Thus,  $\overline{CS}$  acts as an output enable. Similarly, SCLK is internally gated off when  $\overline{CS}$  is brought high.

[Figure 5](#) shows the ADC088S052 in hold mode: switch SW1 connects the sampling capacitor to ground, maintaining the sampled voltage, and switch SW2 unbalances the comparator. The control logic then instructs the charge-redistribution DAC to add or subtract fixed amounts of charge to or from the sampling capacitor until the comparator is balanced. When the comparator is balanced, the digital word supplied to the DAC is the digital representation of the analog input voltage. The ADC088S052 is in this state for the last thirteen SCLK cycles after  $\overline{CS}$  is brought low.

During the first 3 cycles of SCLK, the ADC is in the track mode, acquiring the input voltage. For the next 13 SCLK cycles the conversion is accomplished and the data is clocked out. SCLK falling edges 1 through 4 clock out leading zeros, falling edges 5 through 12 clock out the conversion result, MSB first, and falling edges 13 through 16 clock out trailing zeros. If there is more than one conversion in a frame (continuous conversion mode), the ADC will re-enter the track mode on the falling edge of SCLK after the  $N \times 16$ th rising edge of SCLK and re-enter the hold/convert mode on the  $N \times 16 + 4$ th falling edge of SCLK. "N" is an integer value.

The ADC088S052 enters track mode under three different conditions. In [Figure 1](#),  $\overline{CS}$  goes low with SCLK high and the ADC enters track mode on the first falling edge of SCLK. In the second condition,  $\overline{CS}$  goes low with SCLK low. Under this condition, the ADC automatically enters track mode and the falling edge of  $\overline{CS}$  is seen as the first falling edge of SCLK. In the third condition,  $\overline{CS}$  and SCLK go low within the times de-

finied by  $t_{CSU}$  and  $t_{CLH}$ . While there is no timing restriction with respect to the rising edges of  $\overline{CS}$  and SCLK, it is best to strictly observe the minimum  $t_{CSU}$  and  $T_{CLH}$  times given in the Timing Specifications to prevent uncertainty as to when data begins clocking in at DIN.

While a conversion is in progress, the address of the next input for conversion is clocked into a control register through the DIN pin on the first 8 rising edges of SCLK after the fall of

$\overline{CS}$ . See Tables 1, 2, 3. That is, the address for the NEXT conversion to be run is loaded at the beginning of the current conversion.

There is no need to incorporate a power-up delay or dummy conversion as the ADC088S052 is able to acquire the input signal to full resolution in the first conversion immediately following power-up. The first conversion result after power-up will be that of IN0.

TABLE 1. Control Register Bits

|             |       |       |       |       |       |       |       |
|-------------|-------|-------|-------|-------|-------|-------|-------|
| Bit 7 (MSB) | Bit 6 | Bit 5 | Bit 4 | Bit 3 | Bit 2 | Bit 1 | Bit 0 |
| DONTC       | DONTC | ADD2  | ADD1  | ADD0  | DONTC | DONTC | DONTC |

TABLE 2. Control Register Bit Descriptions

| Bit #:        | Symbol: | Description  |
|---------------|---------|--|
| 7, 6, 2, 1, 0 | DONTC   | Don't care. The values of these bits do not affect the device.   |
| 5             | ADD2    | These three bits determine which input channel will be sampled and converted at the next conversion cycle. The mapping between codes and channels is shown in Table 3. |
| 4             | ADD1    |  |
| 3             | ADD0    |  |

TABLE 3. Input Channel Selection

| ADD2 | ADD1 | ADD0 | Input Channel |
|------|------|------|---------------|
| 0    | 0    | 0    | IN0 (Default) |
| 0    | 0    | 1    | IN1           |
| 0    | 1    | 0    | IN2           |
| 0    | 1    | 1    | IN3           |
| 1    | 0    | 0    | IN4           |
| 1    | 0    | 1    | IN5           |
| 1    | 1    | 0    | IN6           |
| 1    | 1    | 1    | IN7           |

1.3 ADC088S052 TRANSFER FUNCTION

The output format of the ADC088S052 is straight binary. Code transitions occur midway between successive integer LSB values. The LSB width for the ADC088S052 is  $V_A / 256$ . The ideal transfer characteristic is shown in Figure 6. The transition from an output code of 0000 0000 to a code of 0000 0001 is at 1/2 LSB, or a voltage of  $V_A / 512$ . Other code transitions occur at steps of one LSB.

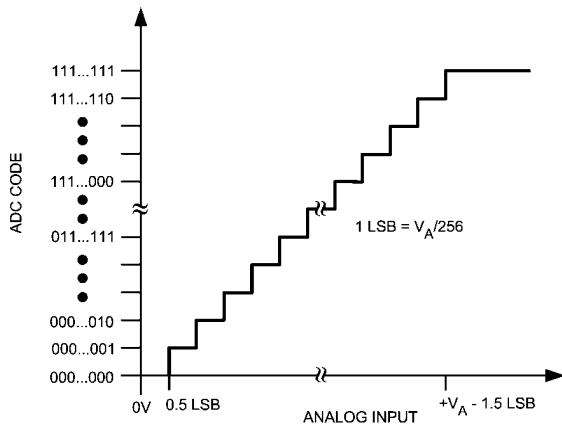


FIGURE 6. Ideal Transfer Characteristic

1.4 ANALOG INPUTS

An equivalent circuit for one of the ADC088S052's input channels is shown in Figure 7. Diodes D1 and D2 provide ESD protection for the analog inputs. The operating range for the analog inputs is 0 V to  $V_A$ . Going beyond this range will cause the ESD diodes to conduct and result in erratic operation. For this reason, these ESD diodes should NOT be used to clamp the input signal.

The capacitor C1 in Figure 7 has a typical value of 3 pF and is mainly the package pin capacitance. Resistor R1 is the on resistance of the multiplexer and track / hold switch and is typically 500 ohms. Capacitor C2 is the ADC088S052 sampling capacitor, and is typically 30 pF. The ADC088S052 will deliver best performance when driven by a low-impedance source (less than 100 ohms). This is especially important when using the ADC088S052 to sample dynamic signals. Also important when sampling dynamic signals is a band-pass or low-pass filter which reduces harmonics and noise in the input.

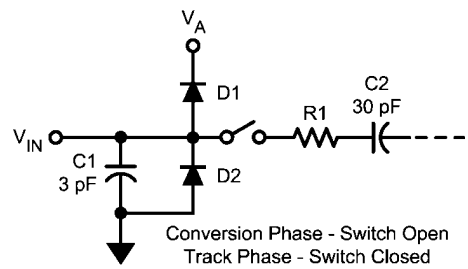


FIGURE 7. Equivalent Input Circuit

1.5 DIGITAL INPUTS AND OUTPUTS

The ADC088S052's digital inputs (SCLK,  $\overline{CS}$ , and DIN) have an operating range of 0 V to  $V_A$ . They are not prone to latch-up and may be asserted before the digital supply ( $V_D$ ) without any risk. The digital output (DOUT) operating range is controlled by  $V_D$ . The output high voltage is  $V_D - 0.5V$  (min) while the output low voltage is 0.4V (max).

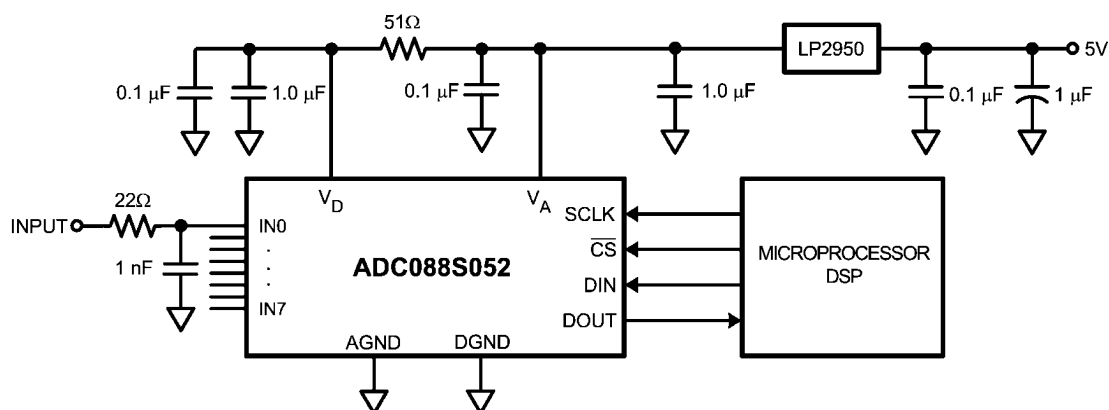
## 2.0 Applications Information

### 2.1 TYPICAL APPLICATION CIRCUIT

A typical application is shown in *Figure 8*. The split analog and digital supply pins are both powered, in this example, by the National LP2950 low-dropout voltage regulator. The analog supply is bypassed with a capacitor network located close to the ADC088S052. The digital supply is separated from the analog supply by an isolation resistor and bypassed with additional capacitors. The ADC088S052 uses the analog supply ( $V_A$ ) as its reference voltage, so it is very important that  $V_A$  be

kept as clean as possible. Due to the low power requirements of the ADC088S052, it is also possible to use a precision reference as a power supply.

To minimize the error caused by the changing input capacitance of the ADC088S052, a capacitor is connected from each input pin to ground. The capacitor, which is much larger than the input capacitance of the ADC088S052 when in track mode, provides the current to quickly charge the sampling capacitor of the ADC088S052. An isolation resistor is added to isolate the load capacitance from the input source.



20166613

FIGURE 8. Typical Application Circuit

### 2.2 POWER SUPPLY CONSIDERATIONS

There are three major power supply concerns with this product: power supply sequencing, power management, and the effect of digital supply noise on the analog supply.

#### 2.2.1 Power Supply Sequence

The ADC088S052 is a dual-supply device. The two supply pins share ESD resources, so care must be exercised to ensure that the power is applied in the correct sequence. To avoid turning on the ESD diodes, the digital supply ( $V_D$ ) cannot exceed the analog supply ( $V_A$ ) by more than 300 mV, not even on a transient basis. Therefore,  $V_A$  must ramp up before or concurrently with  $V_D$ .

#### 2.2.2 Power Management

The ADC088S052 is fully powered-up whenever  $\overline{CS}$  is low and fully powered-down whenever  $\overline{CS}$  is high, with one exception. If operating in continuous conversion mode, the ADC088S052 automatically enters power-down mode between SCLK's 16th falling edge of a conversion and the SCLK's 1st falling edge of the subsequent conversion (see *Figure 1*).

In continuous conversion mode, the ADC088S052 can perform multiple conversions back to back. Each conversion requires 16 SCLK cycles and the ADC088S052 will perform conversions continuously as long as  $\overline{CS}$  is held low. Continuous mode offers maximum throughput.

In burst mode, the user may trade off throughput for power consumption by performing fewer conversions per unit time. This means spending more time in power-down mode and less time in normal mode. By utilizing this technique, the user can achieve very low sample rates while still utilizing an SCLK frequency within the electrical specifications. The Power Consumption vs. SCLK curve in the Typical Performance Curves section shows the typical power consumption of the AD-

C088S022 in the continuous conversion mode. Burst mode power is calculated as shown below, where  $P_C$  is average power consumption, ( $t_N$ ) is the time in the normal (continuous conversion) mode,  $t_S$  is the time in shut down mode,  $P_N$  is the power consumption in the normal mode and  $P_S$  is the power consumption in the shutdown mode.

$$P_C = \frac{t_N}{t_N + t_S} \times P_N + \frac{t_S}{t_N + t_S} \times P_S$$

20166615

FIGURE 9. Power Consumption Equation

#### 2.2.3 Power Supply Noise Considerations

The charging of any output load capacitance requires current from the digital supply,  $V_D$ . The current pulses required from the supply to charge the output capacitance will cause voltage variations on the digital supply. If these variations are large enough, they could degrade SNR and SINAD performance of the ADC. Furthermore, if the analog and digital supplies are tied directly together, the noise in the on-chip digital supply will be coupled directly into the analog supply, causing greater performance degradation than would noise on the digital supply alone. Similarly, discharging the output capacitance when the digital output goes from a logic high to a logic low will dump current into the die substrate. Load discharge currents will cause "ground bounce" noise in the substrate that will degrade noise performance if that current is large enough. The larger the output capacitance, the more current flows through the die substrate and the greater the noise coupled into the analog channel.



The first solution to keeping digital noise out of the analog supply is to decouple the analog and digital supplies from each other or use separate supplies for them. To keep noise out of the digital supply, keep the output load capacitance as small as practical. If the load capacitance is greater than 50 pF, use a 100  $\Omega$  series resistor at the ADC output, located as close to the ADC output pin as practical. This will limit the charge and discharge current of the output capacitance and maintain noise performance. Since the series resistor and the load capacitance form a low frequency pole, verify signal integrity once the series resistor has been added.

### 2.3 LAYOUT AND GROUNDING

Capacitive coupling between the noisy digital circuitry and the sensitive analog circuitry can lead to poor performance. The solution is to keep the analog circuitry separated from the digital circuitry and keep the clock line as short as possible.

Digital circuits create substantial supply and ground current transients. The logic noise generated could have significant impact upon system noise performance. To avoid performance degradation of the ADC088S052 due to supply noise, do not use the same supply for the ADC088S052 that is used for digital logic.

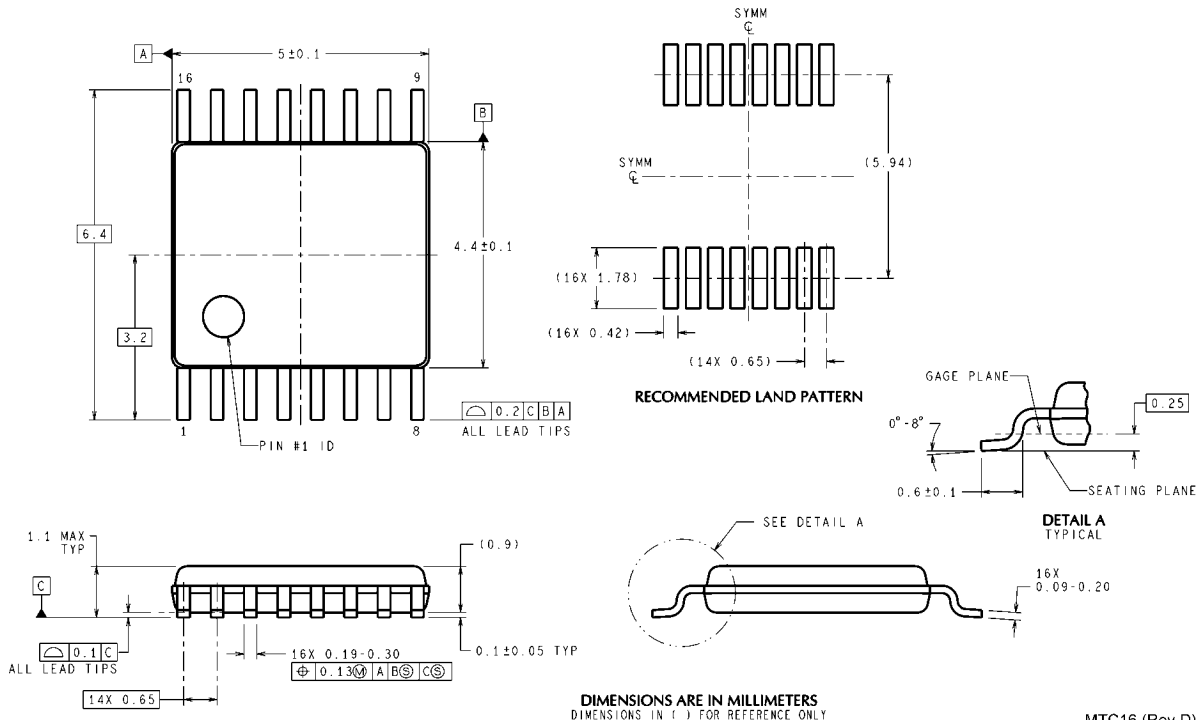
Generally, analog and digital lines should cross each other at 90° to avoid crosstalk. However, to maximize accuracy in

mixed signal systems, avoid crossing analog and digital lines altogether. It is important to keep clock lines as short as possible and isolated from ALL other lines, including other digital lines. In addition, the clock line should also be treated as a transmission line and be properly terminated.

The analog input should be isolated from noisy signal traces to avoid coupling of spurious signals into the input. Any external component (e.g., a filter capacitor) connected between the converter's input pins and ground or to the reference input pin and ground should be connected to a very clean point in the ground plane.

We recommend the use of a single, uniform ground plane and the use of split power planes. The power planes should be located within the same board layer. All analog circuitry (input amplifiers, filters, reference components, etc.) should be placed over the analog power plane. All digital circuitry and I/O lines should be placed over the digital power plane. Furthermore, all components in the reference circuitry and the input signal chain that are connected to ground should be connected together with short traces and enter the analog ground plane at a single, quiet point.

**Physical Dimensions** inches (millimeters) unless otherwise noted



DIMENSIONS ARE IN MILLIMETERS  
DIMENSIONS IN ( ) FOR REFERENCE ONLY

MTC16 (Rev D)

**16-Lead TSSOP**  
**Order Number ADC088S052CIMT, ADC088S052CIMTX**  
**NS Package Number MTC16**

## Notes

For more National Semiconductor product information and proven design tools, visit the following Web sites at:  
[www.national.com](http://www.national.com)

| Products                       |  | Design Support               |  |
|--------------------------------|--|------------------------------|--|
| Amplifiers                     | <a href="http://www.national.com/amplifiers">www.national.com/amplifiers</a> | WEBENCH® Tools               | <a href="http://www.national.com/webench">www.national.com/webench</a>             |
| Audio                          | <a href="http://www.national.com/audio">www.national.com/audio</a>           | App Notes                    | <a href="http://www.national.com/appnotes">www.national.com/appnotes</a>           |
| Clock and Timing               | <a href="http://www.national.com/timing">www.national.com/timing</a>         | Reference Designs            | <a href="http://www.national.com/refdesigns">www.national.com/refdesigns</a>       |
| Data Converters                | <a href="http://www.national.com/adc">www.national.com/adc</a>               | Samples                      | <a href="http://www.national.com/samples">www.national.com/samples</a>             |
| Interface                      | <a href="http://www.national.com/interface">www.national.com/interface</a>   | Eval Boards                  | <a href="http://www.national.com/evalboards">www.national.com/evalboards</a>       |
| LVDS                           | <a href="http://www.national.com/lvds">www.national.com/lvds</a>             | Packaging                    | <a href="http://www.national.com/packaging">www.national.com/packaging</a>         |
| Power Management               | <a href="http://www.national.com/power">www.national.com/power</a>           | Green Compliance             | <a href="http://www.national.com/quality/green">www.national.com/quality/green</a> |
| Switching Regulators           | <a href="http://www.national.com/switchers">www.national.com/switchers</a>   | Distributors                 | <a href="http://www.national.com/contacts">www.national.com/contacts</a>           |
| LDOs                           | <a href="http://www.national.com/ldo">www.national.com/ldo</a>               | Quality and Reliability      | <a href="http://www.national.com/quality">www.national.com/quality</a>             |
| LED Lighting                   | <a href="http://www.national.com/led">www.national.com/led</a>               | Feedback/Support             | <a href="http://www.national.com/feedback">www.national.com/feedback</a>           |
| Voltage References             | <a href="http://www.national.com/vref">www.national.com/vref</a>             | Design Made Easy             | <a href="http://www.national.com/easy">www.national.com/easy</a>                   |
| PowerWise® Solutions           | <a href="http://www.national.com/powerwise">www.national.com/powerwise</a>   | Applications & Markets       | <a href="http://www.national.com/solutions">www.national.com/solutions</a>         |
| Serial Digital Interface (SDI) | <a href="http://www.national.com/sdi">www.national.com/sdi</a>               | Mil/Aero                     | <a href="http://www.national.com/milaero">www.national.com/milaero</a>             |
| Temperature Sensors            | <a href="http://www.national.com/tempensors">www.national.com/tempensors</a> | SolarMagic™                  | <a href="http://www.national.com/solarmagic">www.national.com/solarmagic</a>       |
| PLL/VCO                        | <a href="http://www.national.com/wireless">www.national.com/wireless</a>     | PowerWise® Design University | <a href="http://www.national.com/training">www.national.com/training</a>           |

THE CONTENTS OF THIS DOCUMENT ARE PROVIDED IN CONNECTION WITH NATIONAL SEMICONDUCTOR CORPORATION ("NATIONAL") PRODUCTS. NATIONAL MAKES NO REPRESENTATIONS OR WARRANTIES WITH RESPECT TO THE ACCURACY OR COMPLETENESS OF THE CONTENTS OF THIS PUBLICATION AND RESERVES THE RIGHT TO MAKE CHANGES TO SPECIFICATIONS AND PRODUCT DESCRIPTIONS AT ANY TIME WITHOUT NOTICE. NO LICENSE, WHETHER EXPRESS, IMPLIED, ARISING BY ESTOPPEL OR OTHERWISE, TO ANY INTELLECTUAL PROPERTY RIGHTS IS GRANTED BY THIS DOCUMENT.

TESTING AND OTHER QUALITY CONTROLS ARE USED TO THE EXTENT NATIONAL DEEMS NECESSARY TO SUPPORT NATIONAL'S PRODUCT WARRANTY. EXCEPT WHERE MANDATED BY GOVERNMENT REQUIREMENTS, TESTING OF ALL PARAMETERS OF EACH PRODUCT IS NOT NECESSARILY PERFORMED. NATIONAL ASSUMES NO LIABILITY FOR APPLICATIONS ASSISTANCE OR BUYER PRODUCT DESIGN. BUYERS ARE RESPONSIBLE FOR THEIR PRODUCTS AND APPLICATIONS USING NATIONAL COMPONENTS. PRIOR TO USING OR DISTRIBUTING ANY PRODUCTS THAT INCLUDE NATIONAL COMPONENTS, BUYERS SHOULD PROVIDE ADEQUATE DESIGN, TESTING AND OPERATING SAFEGUARDS.

EXCEPT AS PROVIDED IN NATIONAL'S TERMS AND CONDITIONS OF SALE FOR SUCH PRODUCTS, NATIONAL ASSUMES NO LIABILITY WHATSOEVER, AND NATIONAL DISCLAIMS ANY EXPRESS OR IMPLIED WARRANTY RELATING TO THE SALE AND/OR USE OF NATIONAL PRODUCTS INCLUDING LIABILITY OR WARRANTIES RELATING TO FITNESS FOR A PARTICULAR PURPOSE, MERCHANTABILITY, OR INFRINGEMENT OF ANY PATENT, COPYRIGHT OR OTHER INTELLECTUAL PROPERTY RIGHT.

#### LIFE SUPPORT POLICY

**NATIONAL'S PRODUCTS ARE NOT AUTHORIZED FOR USE AS CRITICAL COMPONENTS IN LIFE SUPPORT DEVICES OR SYSTEMS WITHOUT THE EXPRESS PRIOR WRITTEN APPROVAL OF THE CHIEF EXECUTIVE OFFICER AND GENERAL COUNSEL OF NATIONAL SEMICONDUCTOR CORPORATION.** As used herein:

Life support devices or systems are devices which (a) are intended for surgical implant into the body, or (b) support or sustain life and whose failure to perform when properly used in accordance with instructions for use provided in the labeling can be reasonably expected to result in a significant injury to the user. A critical component is any component in a life support device or system whose failure to perform can be reasonably expected to cause the failure of the life support device or system or to affect its safety or effectiveness.

National Semiconductor and the National Semiconductor logo are registered trademarks of National Semiconductor Corporation. All other brand or product names may be trademarks or registered trademarks of their respective holders.

Copyright© 2011 National Semiconductor Corporation

For the most current product information visit us at [www.national.com](http://www.national.com)



**National Semiconductor  
Americas Technical  
Support Center**  
Email: [support@nsc.com](mailto:support@nsc.com)  
Tel: 1-800-272-9959

**National Semiconductor Europe  
Technical Support Center**  
Email: [europe.support@nsc.com](mailto:europe.support@nsc.com)

**National Semiconductor Asia  
Pacific Technical Support Center**  
Email: [ap.support@nsc.com](mailto:ap.support@nsc.com)

**National Semiconductor Japan  
Technical Support Center**  
Email: [jpn.feedback@nsc.com](mailto:jpn.feedback@nsc.com)

## IMPORTANT NOTICE

Texas Instruments Incorporated and its subsidiaries (TI) reserve the right to make corrections, modifications, enhancements, improvements, and other changes to its products and services at any time and to discontinue any product or service without notice. Customers should obtain the latest relevant information before placing orders and should verify that such information is current and complete. All products are sold subject to TI's terms and conditions of sale supplied at the time of order acknowledgment.

TI warrants performance of its hardware products to the specifications applicable at the time of sale in accordance with TI's standard warranty. Testing and other quality control techniques are used to the extent TI deems necessary to support this warranty. Except where mandated by government requirements, testing of all parameters of each product is not necessarily performed.

TI assumes no liability for applications assistance or customer product design. Customers are responsible for their products and applications using TI components. To minimize the risks associated with customer products and applications, customers should provide adequate design and operating safeguards.

TI does not warrant or represent that any license, either express or implied, is granted under any TI patent right, copyright, mask work right, or other TI intellectual property right relating to any combination, machine, or process in which TI products or services are used. Information published by TI regarding third-party products or services does not constitute a license from TI to use such products or services or a warranty or endorsement thereof. Use of such information may require a license from a third party under the patents or other intellectual property of the third party, or a license from TI under the patents or other intellectual property of TI.

Reproduction of TI information in TI data books or data sheets is permissible only if reproduction is without alteration and is accompanied by all associated warranties, conditions, limitations, and notices. Reproduction of this information with alteration is an unfair and deceptive business practice. TI is not responsible or liable for such altered documentation. Information of third parties may be subject to additional restrictions.

Resale of TI products or services with statements different from or beyond the parameters stated by TI for that product or service voids all express and any implied warranties for the associated TI product or service and is an unfair and deceptive business practice. TI is not responsible or liable for any such statements.

TI products are not authorized for use in safety-critical applications (such as life support) where a failure of the TI product would reasonably be expected to cause severe personal injury or death, unless officers of the parties have executed an agreement specifically governing such use. Buyers represent that they have all necessary expertise in the safety and regulatory ramifications of their applications, and acknowledge and agree that they are solely responsible for all legal, regulatory and safety-related requirements concerning their products and any use of TI products in such safety-critical applications, notwithstanding any applications-related information or support that may be provided by TI. Further, Buyers must fully indemnify TI and its representatives against any damages arising out of the use of TI products in such safety-critical applications.

TI products are neither designed nor intended for use in military/aerospace applications or environments unless the TI products are specifically designated by TI as military-grade or "enhanced plastic." Only products designated by TI as military-grade meet military specifications. Buyers acknowledge and agree that any such use of TI products which TI has not designated as military-grade is solely at the Buyer's risk, and that they are solely responsible for compliance with all legal and regulatory requirements in connection with such use.

TI products are neither designed nor intended for use in automotive applications or environments unless the specific TI products are designated by TI as compliant with ISO/TS 16949 requirements. Buyers acknowledge and agree that, if they use any non-designated products in automotive applications, TI will not be responsible for any failure to meet such requirements.

Following are URLs where you can obtain information on other Texas Instruments products and application solutions:

### Products

|                        |  |
|------------------------|--|
| Audio                  | <a href="http://www.ti.com/audio">www.ti.com/audio</a>                               |
| Amplifiers             | <a href="http://amplifier.ti.com">amplifier.ti.com</a>                               |
| Data Converters        | <a href="http://dataconverter.ti.com">dataconverter.ti.com</a>                       |
| DLP® Products          | <a href="http://www.dlp.com">www.dlp.com</a>   |
| DSP                    | <a href="http://dsp.ti.com">dsp.ti.com</a>   |
| Clocks and Timers      | <a href="http://www.ti.com/clocks">www.ti.com/clocks</a>                             |
| Interface              | <a href="http://interface.ti.com">interface.ti.com</a>                               |
| Logic                  | <a href="http://logic.ti.com">logic.ti.com</a>                                       |
| Power Mgmt             | <a href="http://power.ti.com">power.ti.com</a>                                       |
| Microcontrollers       | <a href="http://microcontroller.ti.com">microcontroller.ti.com</a>                   |
| RFID                   | <a href="http://www.ti-rfid.com">www.ti-rfid.com</a>                                 |
| OMAP Mobile Processors | <a href="http://www.ti.com/omap">www.ti.com/omap</a>                                 |
| Wireless Connectivity  | <a href="http://www.ti.com/wirelessconnectivity">www.ti.com/wirelessconnectivity</a> |

### Applications

|                               |  |
|-------------------------------|--|
| Communications and Telecom    | <a href="http://www.ti.com/communications">www.ti.com/communications</a>                 |
| Computers and Peripherals     | <a href="http://www.ti.com/computers">www.ti.com/computers</a>                           |
| Consumer Electronics          | <a href="http://www.ti.com/consumer-apps">www.ti.com/consumer-apps</a>                   |
| Energy and Lighting           | <a href="http://www.ti.com/energy">www.ti.com/energy</a>                                 |
| Industrial                    | <a href="http://www.ti.com/industrial">www.ti.com/industrial</a>                         |
| Medical                       | <a href="http://www.ti.com/medical">www.ti.com/medical</a>                               |
| Security                      | <a href="http://www.ti.com/security">www.ti.com/security</a>                             |
| Space, Avionics and Defense   | <a href="http://www.ti.com/space-avionics-defense">www.ti.com/space-avionics-defense</a> |
| Transportation and Automotive | <a href="http://www.ti.com/automotive">www.ti.com/automotive</a>                         |
| Video and Imaging             | <a href="http://www.ti.com/video">www.ti.com/video</a>                                   |

TI E2E Community Home Page

[e2e.ti.com](http://e2e.ti.com)

Mailing Address: Texas Instruments, Post Office Box 655303, Dallas, Texas 75265  
Copyright © 2011, Texas Instruments Incorporated