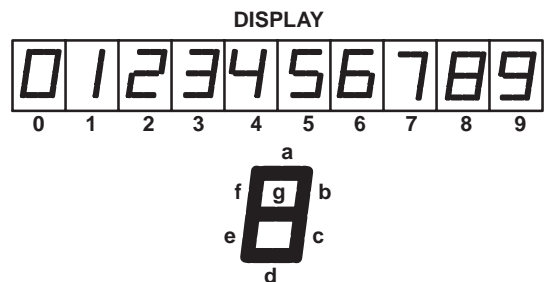
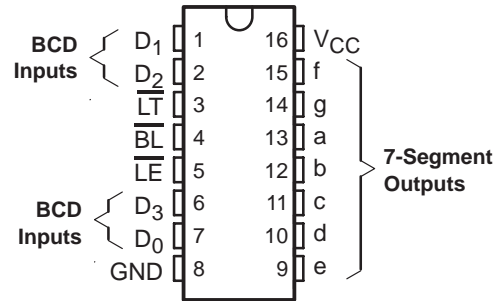


# CD54HC4511, CD74HC4511, CD74HCT4511 BCD-TO-7 SEGMENT LATCH/DECODER/DRIVERS

SCHS279D – DECEMBER 1998 – REVISED OCTOBER 2003

- 2-V to 6-V  $V_{CC}$  Operation ('HC4511)
- 4.5-V to 5.5-V  $V_{CC}$  Operation (CD74HCT4511)
- High-Output Sourcing Capability
  - 7.5 mA at 4.5 V (CD74HCT4511)
  - 10 mA at 6 V ('HC4511)
- Input Latches for BCD Code Storage
- Lamp Test and Blanking Capability
- Balanced Propagation Delays and Transition Times
- Significant Power Reduction Compared to LSTTL Logic ICs
- 'HC4511
  - High Noise Immunity,  $N_{IL}$  or  $N_{IH} = 30\%$  of  $V_{CC}$  at  $V_{CC} = 5$  V
- CD74HCT4511
  - Direct LSTTL Input Logic Compatibility,  $V_{IL} = 0.8$  V Maximum,  $V_{IH} = 2$  V Minimum
  - CMOS Input Compatibility,  $I_I \leq 1$   $\mu$ A at  $V_{OL}$ ,  $V_{OH}$

CD54HC4511 ... F PACKAGE  
CD74HC4511 ... E, M, OR PW PACKAGE  
CD74HCT4511 ... E PACKAGE  
(TOP VIEW)



## description/ordering information

The CD54HC4511, CD74HC4511, and CD74HCT4511 are BCD-to-7 segment latch/decoder/drivers with four address inputs ( $D_0$ – $D_3$ ), an active-low blanking (BL) input, lamp-test (LT) input, and a latch-enable (LE) input that, when high, enables the latches to store the BCD inputs. When LE is low, the latches are disabled, making the outputs transparent to the BCD inputs.

These devices have standard-size output transistors, but are capable of sourcing (at standard  $V_{OH}$  levels) up to 7.5 mA at 4.5 V. The HC types can supply up to 10 mA at 6 V.

## ORDERING INFORMATION

$T_A$	PACKAGE†		ORDERABLE PART NUMBER	TOP-SIDE MARKING
–55°C to 125°C	PDIP – E	Tube of 25	CD74HC4511E	CD74HC4511E
			CD74HCT4511E	CD74HCT4511E
	SOIC – M	Tube of 40 Reel of 2500 Reel of 250	CD74HC4511M	HC4511M
			CD74HC4511M96	
			CD74HC4511MT	
	TSSOP – PW	Reel of 2000 Reel of 250	CD74HC4511PWR	HJ4511
			CD74HC4511PWT	
CDIP – F	Tube of 25	CD54HC4511F3A	CD54HC4511F3A	

† Package drawings, standard packing quantities, thermal data, symbolization, and PCB design guidelines are available at [www.ti.com/sc/package](http://www.ti.com/sc/package).



Please be aware that an important notice concerning availability, standard warranty, and use in critical applications of Texas Instruments semiconductor products and disclaimers thereto appears at the end of this data sheet.

PRODUCTION DATA information is current as of publication date. Products conform to specifications per the terms of Texas Instruments standard warranty. Production processing does not necessarily include testing of all parameters.

 **TEXAS  
INSTRUMENTS**

POST OFFICE BOX 655303 • DALLAS, TEXAS 75265

Copyright © 2003, Texas Instruments Incorporated  
On products compliant to MIL-PRF-38535, all parameters are tested unless otherwise noted. On all other products, production processing does not necessarily include testing of all parameters.

# CD54HC4511, CD74HC4511, CD74HCT4511 BCD-TO-7 SEGMENT LATCH/DECODER/DRIVERS

SCHS279D – DECEMBER 1998 – REVISED OCTOBER 2003

FUNCTION TABLE

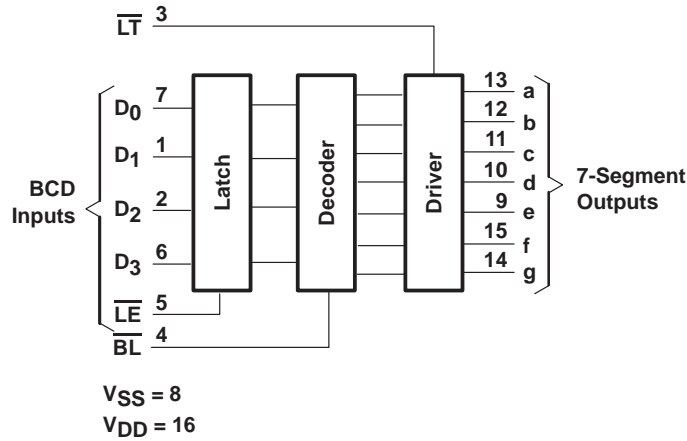
INPUTS								OUTPUTS							
$\overline{LE}$	$\overline{BL}$	$\overline{LT}$	D <sub>3</sub>	D <sub>2</sub>	D <sub>1</sub>	D <sub>0</sub>		a	b	c	d	e	f	g	DISPLAY
X	X	L	X	X	X	X		H	H	H	H	H	H	H	8
X	L	H	X	X	X	X		L	L	L	L	L	L	L	Blank
L	H	H	L	L	L	L		H	H	H	H	H	H	L	0
L	H	H	L	L	L	H		L	H	H	L	L	L	L	1
L	H	H	L	L	H	L		H	H	L	H	H	L	H	2
L	H	H	L	L	H	H		H	H	H	H	L	L	H	3
L	H	H	L	H	L	L		L	H	H	L	L	H	H	4
L	H	H	L	H	L	H		H	L	H	H	L	H	H	5
L	H	H	L	H	H	L		L	L	H	H	H	H	H	6
L	H	H	L	H	H	H		H	H	H	L	L	L	L	7
L	H	H	H	L	L	L		H	H	H	H	H	H	H	8
L	H	H	H	L	L	H		H	H	H	L	L	H	H	9
L	H	H	H	L	H	L		L	L	L	L	L	L	L	Blank
L	H	H	H	L	H	H		L	L	L	L	L	L	L	Blank
L	H	H	H	H	L	L		L	L	L	L	L	L	L	Blank
L	H	H	H	H	L	H		L	L	L	L	L	L	L	Blank
L	H	H	H	H	H	L		L	L	L	L	L	L	L	Blank
L	H	H	H	H	H	H		L	L	L	L	L	L	L	Blank
H	H	H	X	X	X	X		†	†	†	†	†	†	†	†

X = Don't care

† Depends on BCD code previously applied when  $\overline{LE} = L$

NOTE: Display is blank for all illegal input codes (BCD > HLLH).

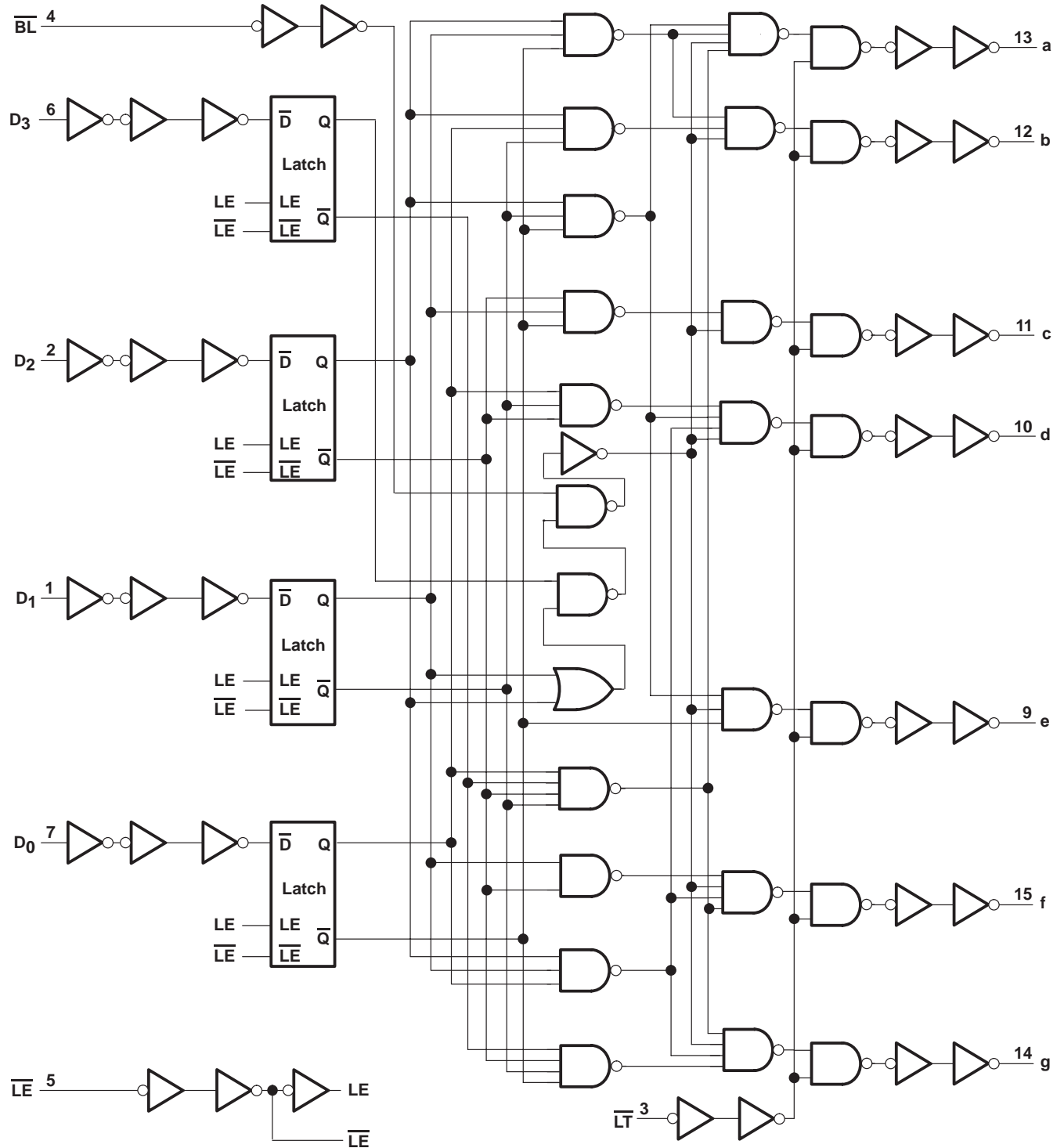
## function diagram



# CD54HC4511, CD74HC4511, CD74HCT4511 BCD-TO-7 SEGMENT LATCH/DECODER/DRIVERS

SCHS279D – DECEMBER 1998 – REVISED OCTOBER 2003

## logic diagram



# CD54HC4511, CD74HC4511, CD74HCT4511 BCD-TO-7 SEGMENT LATCH/DECODER/DRIVERS

SCHS279D – DECEMBER 1998 – REVISED OCTOBER 2003

## absolute maximum ratings over operating free-air temperature (unless otherwise noted)†

Supply voltage range, $V_{CC}$ .....	-0.5 V to 7 V
Input diode current, $I_{IK}$ ( $V_I < -0.5$ V or $V_I > V_{CC} + 0.5$ V) (see Note 1) .....	$\pm 20$ mA
Output diode current, $I_{OK}$ ( $V_O < -0.5$ V or $V_O > V_{CC} + 0.5$ V) (see Note 1) .....	$\pm 20$ mA
Continuous output source or sink current per output, $I_O$ ( $V_O = 0$ to $V_{CC}$ ) .....	$\pm 25$ mA
Continuous current through $V_{CC}$ or GND .....	$\pm 50$ mA
Package thermal impedance, $\theta_{JA}$ (see Note 2): E package .....	67°C/W
M package .....	73°C/W
PW package .....	108°C/W
Lead temperature (during soldering):	
At distance $1/16 \pm 1/32$ in ( $1.59 \pm 0.79$ mm) from case for 10 s maximum .....	265°C
Unit inserted into a PC board (minimum thickness $1/16$ in, 1.59 mm), with solder contacting lead tips only .....	300°C
Storage temperature, $T_{stg}$ .....	-65 to 150°C

† Stresses beyond those listed under “absolute maximum ratings” may cause permanent damage to the device. These are stress ratings only, and functional operation of the device at these or any other conditions beyond those indicated under “recommended operating conditions” is not implied. Exposure to absolute-maximum-rated conditions for extended periods may affect device reliability.

- NOTES: 1. The input and output voltage ratings may be exceeded if the input and output current ratings are observed.  
2. The package thermal impedance is calculated in accordance with JESD 51-7.

## recommended operating conditions for 'HC4511 (see Note 3)

		$T_A = 25^\circ\text{C}$		$T_A = -55^\circ\text{C}$ TO $125^\circ\text{C}$		$T_A = -40^\circ\text{C}$ TO $85^\circ\text{C}$		UNIT
		MIN	MAX	MIN	MAX	MIN	MAX	
$V_{CC}$	Supply voltage	2	6	2	6	2	6	V
$V_{IH}$	High-level input voltage	$V_{CC} = 2$ V		1.5	1.5	1.5		V
		$V_{CC} = 4.5$ V		3.15	3.15	3.15		
		$V_{CC} = 6$ V		4.2	4.2	4.2		
$V_{IL}$	Low-level input voltage	$V_{CC} = 2$ V		0.5	0.5	0.5		V
		$V_{CC} = 4.5$ V		1.35	1.35	1.35		
		$V_{CC} = 6$ V		1.8	1.8	1.8		
$V_I$	Input voltage	0	$V_{CC}$	0	$V_{CC}$	0	$V_{CC}$	V
$V_O$	Output voltage	0	$V_{CC}$	0	$V_{CC}$	0	$V_{CC}$	V
$t_t$	Input transition (rise and fall) time	$V_{CC} = 2$ V		1000	1000	1000		ns
		$V_{CC} = 4.5$ V		500	500	500		
		$V_{CC} = 6$ V		400	400	400		

NOTE 3: All unused inputs of the device must be held at  $V_{CC}$  or GND to ensure proper device operation. Refer to the TI application report, *Implications of Slow or Floating CMOS Inputs*, literature number SCBA004.



# CD54HC4511, CD74HC4511, CD74HCT4511 BCD-TO-7 SEGMENT LATCH/DECODER/DRIVERS

SCHS279D – DECEMBER 1998 – REVISED OCTOBER 2003

## recommended operating conditions for CD74HCT4511 (see Note 4)

		T <sub>A</sub> = 25°C		T <sub>A</sub> = -55°C TO 125°C		T <sub>A</sub> = -40°C TO 85°C		UNIT
		MIN	MAX	MIN	MAX	MIN	MAX	
V <sub>CC</sub>	Supply voltage	4.5	5.5	4.5	5.5	4.5	5.5	V
V <sub>IH</sub>	High-level input voltage	2		2		2		V
V <sub>IL</sub>	Low-level input voltage		0.8		0.8		0.8	V
V <sub>I</sub>	Input voltage		V <sub>CC</sub>		V <sub>CC</sub>		V <sub>CC</sub>	V
V <sub>O</sub>	Output voltage		V <sub>CC</sub>		V <sub>CC</sub>		V <sub>CC</sub>	V
t <sub>t</sub>	Input transition (rise and fall) time		500		500		500	ns

NOTE 4: All unused inputs of the device must be held at V<sub>CC</sub> or GND to ensure proper device operation. Refer to the TI application report, *Implications of Slow or Floating CMOS Inputs*, literature number SCBA004.

## 'HC4511

### electrical characteristics over recommended operating free-air temperature range (unless otherwise noted)

PARAMETER	TEST CONDITIONS	V <sub>CC</sub>	T <sub>A</sub> = 25°C		T <sub>A</sub> = -55°C TO 125°C		T <sub>A</sub> = -40°C TO 85°C		UNIT
			MIN	MAX	MIN	MAX	MIN	MAX	
V <sub>OH</sub>	V <sub>I</sub> = V <sub>IH</sub> or V <sub>IL</sub>	I <sub>OH</sub> = -20 μA	2 V	1.9	1.9	1.9		V	
			4.5 V	4.4	4.4	4.4			
			6 V	5.9	5.9	5.9			
		I <sub>OH</sub> = -7.5 mA	4.5 V	3.98	3.7	3.84			
		I <sub>OH</sub> = -10 mA	6 V	5.48	5.2	5.34			
V <sub>OL</sub>	V <sub>I</sub> = V <sub>IH</sub> or V <sub>IL</sub>	I <sub>OL</sub> = 20 μA	2 V	0.1	0.1	0.1	V		
			4.5 V	0.1	0.1	0.1			
			6 V	0.1	0.1	0.1			
		I <sub>OL</sub> = 4 mA	4.5 V	0.26	0.4	0.33			
		I <sub>OL</sub> = 5.2 mA	6 V	0.26	0.4	0.33			
I <sub>I</sub>	V <sub>I</sub> = V <sub>CC</sub> or 0	6 V	±0.1	±1	±1	μA			
I <sub>CC</sub>	V <sub>I</sub> = V <sub>CC</sub> or 0, I <sub>O</sub> = 0	6 V	8	160	80	μA			
C <sub>i</sub>			10	10	10	pF			

# CD54HC4511, CD74HC4511, CD74HCT4511 BCD-TO-7 SEGMENT LATCH/DECODER/DRIVERS

SCHS279D – DECEMBER 1998 – REVISED OCTOBER 2003

## CD74HCT4511

electrical characteristics over recommended operating free-air temperature range (unless otherwise noted)

PARAMETER	TEST CONDITIONS		V <sub>CC</sub>	T <sub>A</sub> = 25°C			T <sub>A</sub> = -55°C TO 125°C		T <sub>A</sub> = -40°C TO 85°C		UNIT
				MIN	TYP	MAX	MIN	MAX	MIN	MAX	
V <sub>OH</sub>	V <sub>I</sub> = V <sub>IH</sub> or V <sub>IL</sub>	I <sub>OH</sub> = -20 μA	4.5 V	4.4			4.4		4.4		V
		I <sub>OH</sub> = -4 mA		3.98			3.7		3.84		
V <sub>OL</sub>	V <sub>I</sub> = V <sub>IH</sub> or V <sub>IL</sub>	I <sub>OL</sub> = 20 μA	4.5 V	0.1			0.1		0.1		V
		I <sub>OL</sub> = 4 mA		0.26			0.4		0.33		
I <sub>I</sub>	V <sub>I</sub> = V <sub>CC</sub> to GND		5.5 V	±0.1			±1		±1		μA
I <sub>CC</sub>	V <sub>I</sub> = V <sub>CC</sub> or 0, I <sub>O</sub> = 0		5.5 V	8			160		80		μA
ΔI <sub>CC</sub> †	One input at V <sub>CC</sub> - 2.1 V, Other inputs at 0 or V <sub>CC</sub>		4.5 V to 5.5 V	100 360			490		450		μA
C <sub>i</sub>				10			10		10		pF

† Additional quiescent supply current per input pin, TTL inputs high, 1 unit load. For dual-supply systems, theoretical worst-case (V<sub>I</sub> = 2.4 V, V<sub>CC</sub> = 5.5 V) specification is 1.8 mA.

HCT INPUT LOADING TABLE

INPUT	UNIT LOADS‡
$\overline{LT}$ , $\overline{LE}$	1.5
$\overline{BL}$ , D <sub>n</sub>	0.3

‡ Unit load is ΔI<sub>CC</sub> limit specified in electrical characteristics table, e.g., 360 μA maximum at 25°C.

HC4511 timing requirements over recommended operating free-air temperature range (unless otherwise noted) (see Figure 1)

	V <sub>CC</sub>	T <sub>A</sub> = 25°C		T <sub>A</sub> = -55°C TO 125°C		T <sub>A</sub> = -40°C TO 85°C		UNIT
		MIN	MAX	MIN	MAX	MIN	MAX	
t <sub>w</sub> Pulse duration, $\overline{LE}$ low	2 V	80		120		100		ns
	4.5 V	16		24		20		
	6 V	14		20		17		
t <sub>su</sub> Setup time, BCD inputs before $\overline{LE}$ ↑	2 V	60		90		75		ns
	4.5 V	12		18		15		
	6 V	10		15		13		
t <sub>h</sub> Hold time, BCD inputs before $\overline{LE}$ ↑	2 V	3		3		3		ns
	4.5 V	3		3		3		
	6 V	3		3		3		

# CD54HC4511, CD74HC4511, CD74HCT4511 BCD-TO-7 SEGMENT LATCH/DECODER/DRIVERS

SCHS279D – DECEMBER 1998 – REVISED OCTOBER 2003

## 'HC4511

switching characteristics over recommended operating free-air temperature range (unless otherwise noted) (see Figure 1)

PARAMETER	FROM (INPUT)	TO (OUTPUT)	LOAD CAPACITANCE	V <sub>CC</sub>	T <sub>A</sub> = 25°C			T <sub>A</sub> = -55°C TO 125°C		T <sub>A</sub> = -40°C TO 85°C		UNIT
					MIN	TYP	MAX	MIN	MAX	MIN	MAX	
t <sub>pd</sub>	D <sub>n</sub>	Output	C <sub>L</sub> = 50 pF	2 V		300		450		375	ns	
				4.5 V		60		90		75		
			6 V		51		77		64			
			C <sub>L</sub> = 15 pF	5 V		25						
	$\overline{\text{LE}}$	Output	C <sub>L</sub> = 50 pF	2 V		270		405		340		
				4.5 V		54		81		68		
			6 V		46		69		58			
			C <sub>L</sub> = 15 pF	5 V		23						
	$\overline{\text{BL}}$	Output	C <sub>L</sub> = 50 pF	2 V		220		330		275		
				4.5 V		44		66		55		
			6 V		37		56		47			
			C <sub>L</sub> = 15 pF	5 V		18						
$\overline{\text{LT}}$	Output	C <sub>L</sub> = 50 pF	2 V		160		240		200			
			4.5 V		32		48		40			
		6 V		27		41		34				
		C <sub>L</sub> = 15 pF	5 V		13							
t <sub>t</sub>		Any	C <sub>L</sub> = 50 pF	2 V		75		110		95	ns	
				4.5 V		15		22		19		
				6 V		13		19		16		

# CD54HC4511, CD74HC4511, CD74HCT4511 BCD-TO-7 SEGMENT LATCH/DECODER/DRIVERS

SCHS279D – DECEMBER 1998 – REVISED OCTOBER 2003

## CD74HCT4511

timing requirements over recommended operating free-air temperature range  $V_{CC} = 4.5\text{ V}$  (unless otherwise noted) (see Figure 2)

		$T_A = 25^\circ\text{C}$		$T_A = -55^\circ\text{C}$ TO $125^\circ\text{C}$		$T_A = -40^\circ\text{C}$ TO $85^\circ\text{C}$		UNIT
		MIN	MAX	MIN	MAX	MIN	MAX	
$t_w$	Pulse duration, $\overline{LE}$ low	16		24		20		ns
$t_{su}$	Setup time, BCD inputs before $\overline{LE}\uparrow$	16		24		20		ns
$t_h$	Hold time, BCD inputs before $\overline{LE}\uparrow$	5		5		5		ns

## CD74HCT4511

switching characteristics over recommended operating free-air temperature range (unless otherwise noted) (see Figure 2)

PARAMETER	FROM (INPUT)	TO (OUTPUT)	LOAD CAPACITANCE	$V_{CC}$	$T_A = 25^\circ\text{C}$			$T_A = -55^\circ\text{C}$ TO $125^\circ\text{C}$		$T_A = -40^\circ\text{C}$ TO $85^\circ\text{C}$		UNIT	
					MIN	TYP	MAX	MIN	MAX	MIN	MAX		
$t_{pd}$	$D_n$	Output	$C_L = 50\text{ pF}$	4.5 V			60		90		75	ns	
			$C_L = 15\text{ pF}$	5 V			25						
	$\overline{LE}$	Output	$C_L = 50\text{ pF}$	4.5 V					54		81		68
			$C_L = 15\text{ pF}$	5 V			23						
	$\overline{BL}$	Output	$C_L = 50\text{ pF}$	4.5 V					44		66		55
			$C_L = 15\text{ pF}$	5 V			18						
$\overline{LT}$	Output	$C_L = 50\text{ pF}$	4.5 V					33		50	41		
		$C_L = 15\text{ pF}$	5 V			13							
$t_t$		Any	$C_L = 50\text{ pF}$	4.5 V			15		22		19	ns	

operating characteristics,  $V_{CC} = 5\text{ V}$ ,  $T_A = 25^\circ\text{C}$

PARAMETER		TYP	UNIT
$C_{pd}\dagger$	Power dissipation capacitance	'HC4511	114
		CD74HCT4511	110

$\dagger C_{pd}$  is used to determine the dynamic power consumption, per package.

$$P_D = C_{pd} V_{CC}^2 f_i + \sum C_L V_{CC}^2 f_o$$

where:  $f_i$  = input frequency

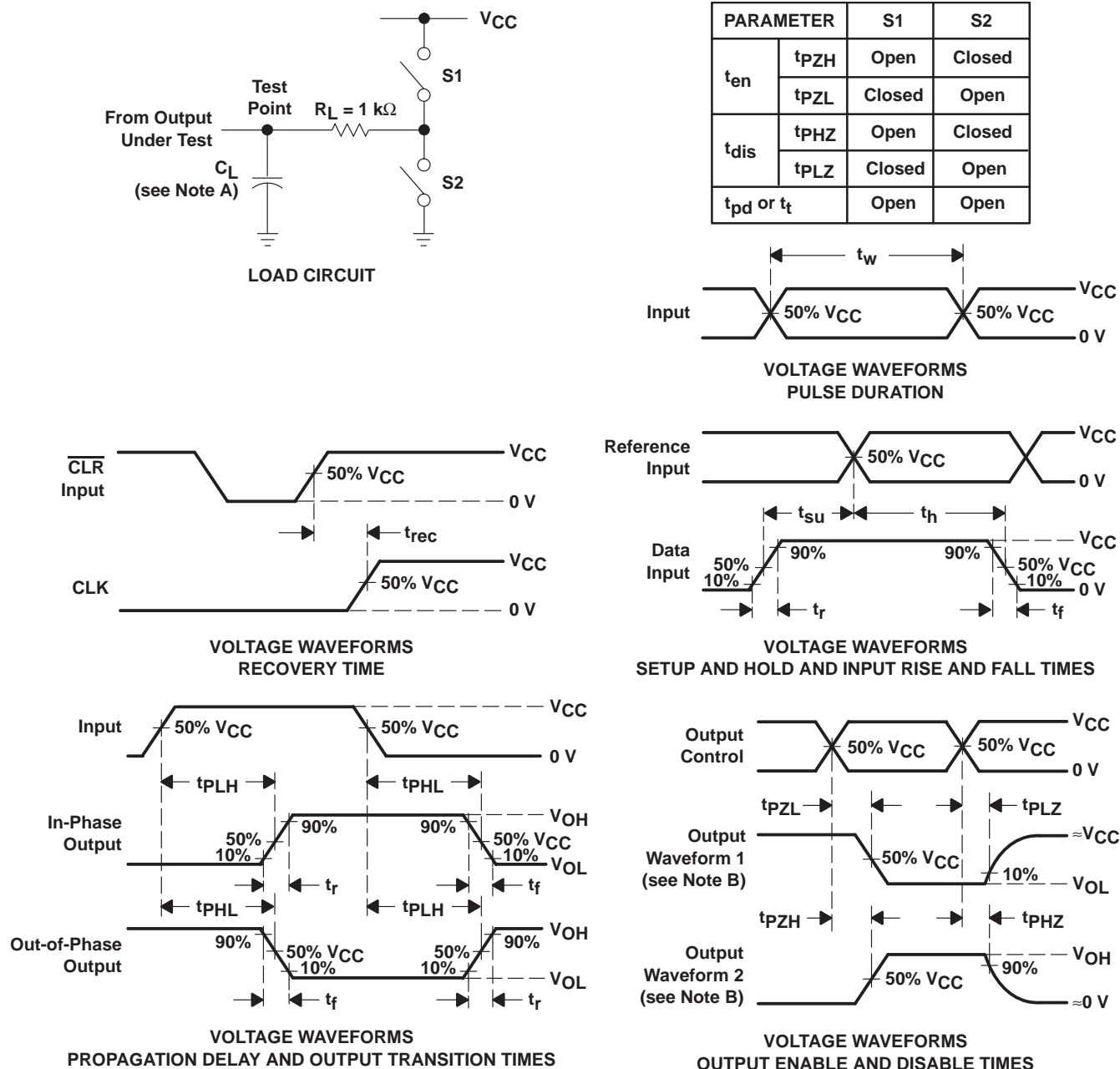
$f_o$  = output frequency

$C_L$  = output load capacitance

$V_{CC}$  = supply voltage



## PARAMETER MEASUREMENT INFORMATION – 'HC4511



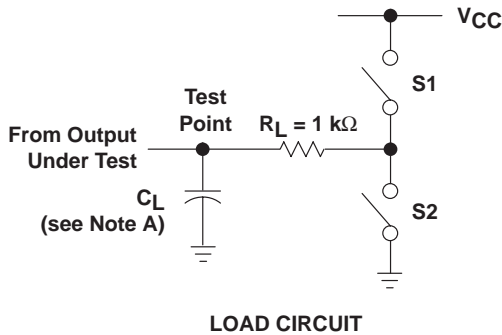
- NOTES:
- A.  $C_L$  includes probe and test-fixture capacitance.
  - B. Waveform 1 is for an output with internal conditions such that the output is low except when disabled by the output control. Waveform 2 is for an output with internal conditions such that the output is high except when disabled by the output control.
  - C. Phase relationships between waveforms were chosen arbitrarily. All input pulses are supplied by generators having the following characteristics:  $PRR \leq 1\text{ MHz}$ ,  $Z_O = 50\ \Omega$ ,  $t_r = 6\text{ ns}$ ,  $t_f = 6\text{ ns}$ .
  - D. For clock inputs,  $f_{max}$  is measured with the input duty cycle at 50%.
  - E. The outputs are measured one at a time with one input transition per measurement.
  - F.  $t_{PLZ}$  and  $t_{PHZ}$  are the same as  $t_{dis}$ .
  - G.  $t_{PZL}$  and  $t_{PZH}$  are the same as  $t_{en}$ .
  - H.  $t_{PLH}$  and  $t_{PHL}$  are the same as  $t_{pd}$ .

**Figure 1. Load Circuit and Voltage Waveforms**

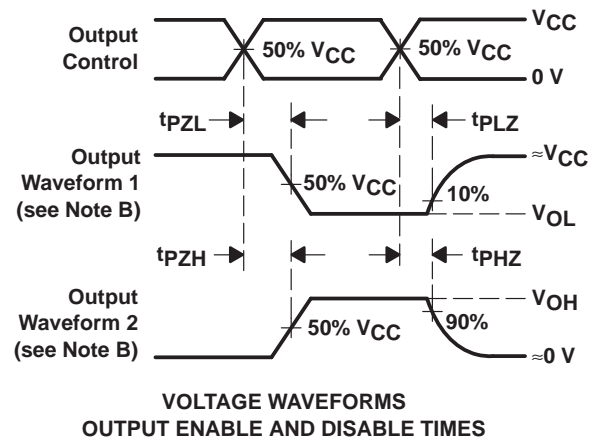
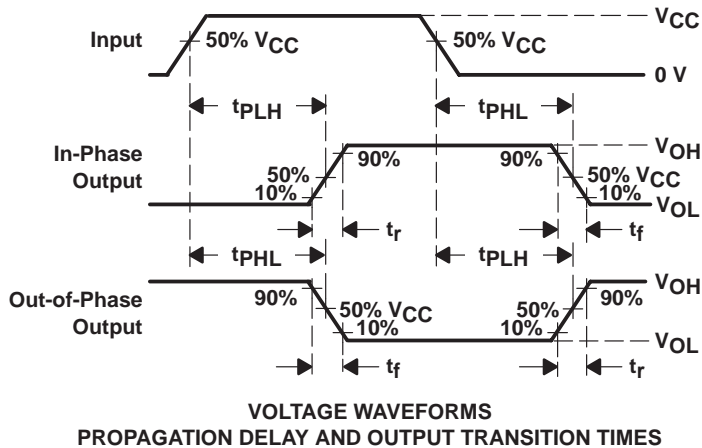
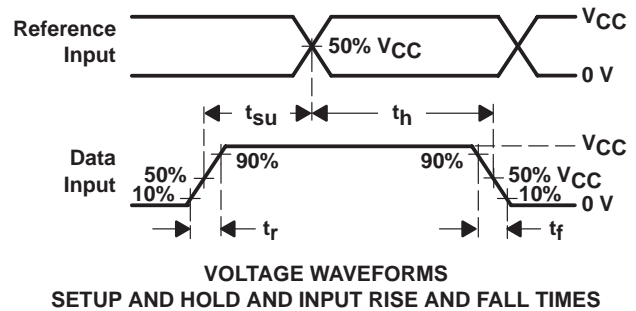
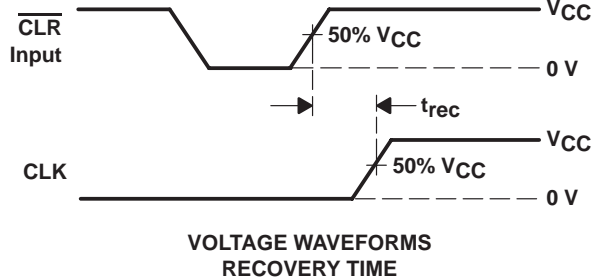
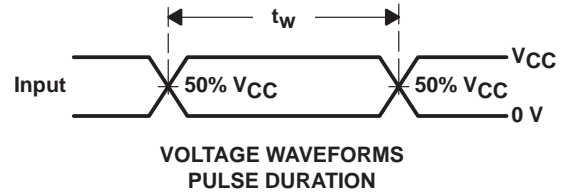
# CD54HC4511, CD74HC4511, CD74HCT4511 BCD-TO-7 SEGMENT LATCH/DECODER/DRIVERS

SCHS279D – DECEMBER 1998 – REVISED OCTOBER 2003

## PARAMETER MEASUREMENT INFORMATION – CD74HCT4511



PARAMETER	S1	S2	
$t_{en}$	$t_{PZH}$	Open	Closed
	$t_{PZL}$	Closed	Open
$t_{dis}$	$t_{PHZ}$	Open	Closed
	$t_{PLZ}$	Closed	Open
$t_{pd}$ or $t_t$	Open	Open	



- NOTES:
- A.  $C_L$  includes probe and test-fixture capacitance.
  - B. Waveform 1 is for an output with internal conditions such that the output is low except when disabled by the output control. Waveform 2 is for an output with internal conditions such that the output is high except when disabled by the output control.
  - C. Phase relationships between waveforms were chosen arbitrarily. All input pulses are supplied by generators having the following characteristics:  $PRR \leq 1$  MHz,  $Z_O = 50 \Omega$ ,  $t_r = 6$  ns,  $t_f = 6$  ns.
  - D. For clock inputs,  $f_{max}$  is measured with the input duty cycle at 50%.
  - E. The outputs are measured one at a time with one input transition per measurement.
  - F.  $t_{PLZ}$  and  $t_{PHZ}$  are the same as  $t_{dis}$ .
  - G.  $t_{PZL}$  and  $t_{PZH}$  are the same as  $t_{en}$ .
  - H.  $t_{PLH}$  and  $t_{PHL}$  are the same as  $t_{pd}$ .

Figure 2. Load Circuit and Voltage Waveforms

**PACKAGING INFORMATION**

Orderable Device	Status <sup>(1)</sup>	Package Type	Package Drawing	Pins	Package Qty	Eco Plan <sup>(2)</sup>	Lead/Ball Finish	MSL Peak Temp <sup>(3)</sup>
5962-8773301EA	ACTIVE	CDIP	J	16	1	TBD	A42 SNPB	N / A for Pkg Type
CD54HC4511F3A	ACTIVE	CDIP	J	16	1	TBD	A42 SNPB	N / A for Pkg Type
CD74HC4511E	ACTIVE	PDIP	N	16	25	Pb-Free (RoHS)	CU NIPDAU	N / A for Pkg Type
CD74HC4511EE4	ACTIVE	PDIP	N	16	25	Pb-Free (RoHS)	CU NIPDAU	N / A for Pkg Type
CD74HC4511M	ACTIVE	SOIC	D	16	40	Green (RoHS & no Sb/Br)	CU NIPDAU	Level-1-260C-UNLIM
CD74HC4511M96	ACTIVE	SOIC	D	16	2500	Green (RoHS & no Sb/Br)	CU NIPDAU	Level-1-260C-UNLIM
CD74HC4511M96E4	ACTIVE	SOIC	D	16	2500	Green (RoHS & no Sb/Br)	CU NIPDAU	Level-1-260C-UNLIM
CD74HC4511M96G4	ACTIVE	SOIC	D	16	2500	Green (RoHS & no Sb/Br)	CU NIPDAU	Level-1-260C-UNLIM
CD74HC4511ME4	ACTIVE	SOIC	D	16	40	Green (RoHS & no Sb/Br)	CU NIPDAU	Level-1-260C-UNLIM
CD74HC4511MG4	ACTIVE	SOIC	D	16	40	Green (RoHS & no Sb/Br)	CU NIPDAU	Level-1-260C-UNLIM
CD74HC4511MT	ACTIVE	SOIC	D	16	250	Green (RoHS & no Sb/Br)	CU NIPDAU	Level-1-260C-UNLIM
CD74HC4511MTE4	ACTIVE	SOIC	D	16	250	Green (RoHS & no Sb/Br)	CU NIPDAU	Level-1-260C-UNLIM
CD74HC4511MTG4	ACTIVE	SOIC	D	16	250	Green (RoHS & no Sb/Br)	CU NIPDAU	Level-1-260C-UNLIM
CD74HC4511PWR	ACTIVE	TSSOP	PW	16	2000	Green (RoHS & no Sb/Br)	CU NIPDAU	Level-1-260C-UNLIM
CD74HC4511PWRE4	ACTIVE	TSSOP	PW	16	2000	Green (RoHS & no Sb/Br)	CU NIPDAU	Level-1-260C-UNLIM
CD74HC4511PWRG4	ACTIVE	TSSOP	PW	16	2000	Green (RoHS & no Sb/Br)	CU NIPDAU	Level-1-260C-UNLIM
CD74HC4511PWT	ACTIVE	TSSOP	PW	16	250	Green (RoHS & no Sb/Br)	CU NIPDAU	Level-1-260C-UNLIM
CD74HC4511PWTE4	ACTIVE	TSSOP	PW	16	250	Green (RoHS & no Sb/Br)	CU NIPDAU	Level-1-260C-UNLIM
CD74HC4511PWTG4	ACTIVE	TSSOP	PW	16	250	Green (RoHS & no Sb/Br)	CU NIPDAU	Level-1-260C-UNLIM
CD74HCT4511E	ACTIVE	PDIP	N	16	25	Pb-Free (RoHS)	CU NIPDAU	N / A for Pkg Type
CD74HCT4511EE4	ACTIVE	PDIP	N	16	25	Pb-Free (RoHS)	CU NIPDAU	N / A for Pkg Type

<sup>(1)</sup> The marketing status values are defined as follows:

**ACTIVE:** Product device recommended for new designs.

**LIFEBUY:** TI has announced that the device will be discontinued, and a lifetime-buy period is in effect.

**NRND:** Not recommended for new designs. Device is in production to support existing customers, but TI does not recommend using this part in a new design.

**PREVIEW:** Device has been announced but is not in production. Samples may or may not be available.

**OBSELETE:** TI has discontinued the production of the device.

<sup>(2)</sup> Eco Plan - The planned eco-friendly classification: Pb-Free (RoHS), Pb-Free (RoHS Exempt), or Green (RoHS & no Sb/Br) - please check <http://www.ti.com/productcontent> for the latest availability information and additional product content details.

**TBD:** The Pb-Free/Green conversion plan has not been defined.

**Pb-Free (RoHS):** TI's terms "Lead-Free" or "Pb-Free" mean semiconductor products that are compatible with the current RoHS requirements for all 6 substances, including the requirement that lead not exceed 0.1% by weight in homogeneous materials. Where designed to be soldered at high temperatures, TI Pb-Free products are suitable for use in specified lead-free processes.

**Pb-Free (RoHS Exempt):** This component has a RoHS exemption for either 1) lead-based flip-chip solder bumps used between the die and package, or 2) lead-based die adhesive used between the die and leadframe. The component is otherwise considered Pb-Free (RoHS compatible) as defined above.

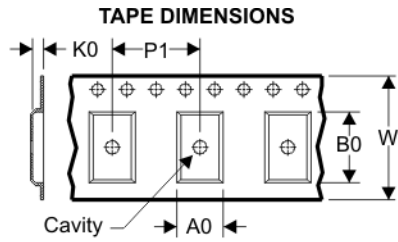
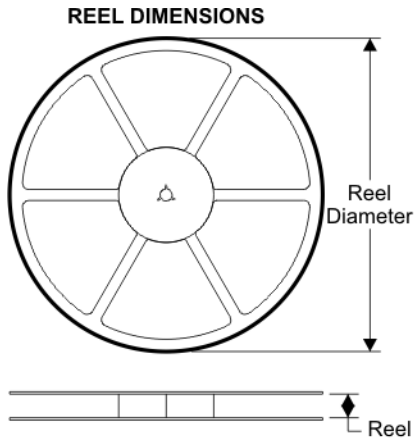
**Green (RoHS & no Sb/Br):** TI defines "Green" to mean Pb-Free (RoHS compatible), and free of Bromine (Br) and Antimony (Sb) based flame retardants (Br or Sb do not exceed 0.1% by weight in homogeneous material)

<sup>(3)</sup> MSL, Peak Temp. -- The Moisture Sensitivity Level rating according to the JEDEC industry standard classifications, and peak solder temperature.

**Important Information and Disclaimer:**The information provided on this page represents TI's knowledge and belief as of the date that it is provided. TI bases its knowledge and belief on information provided by third parties, and makes no representation or warranty as to the accuracy of such information. Efforts are underway to better integrate information from third parties. TI has taken and continues to take reasonable steps to provide representative and accurate information but may not have conducted destructive testing or chemical analysis on incoming materials and chemicals. TI and TI suppliers consider certain information to be proprietary, and thus CAS numbers and other limited information may not be available for release.

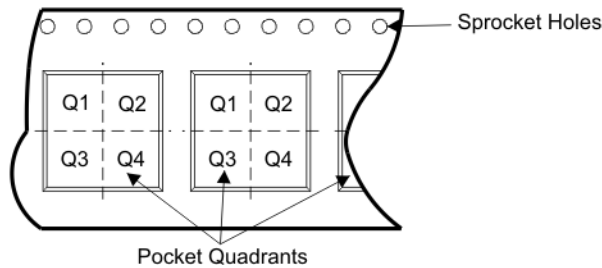
In no event shall TI's liability arising out of such information exceed the total purchase price of the TI part(s) at issue in this document sold by TI to Customer on an annual basis.

**TAPE AND REEL BOX INFORMATION**



A0	Dimension designed to accommodate the component width
B0	Dimension designed to accommodate the component length
K0	Dimension designed to accommodate the component thickness
W	Overall width of the carrier tape
P1	Pitch between successive cavity centers

**QUADRANT ASSIGNMENTS FOR PIN 1 ORIENTATION IN TAPE**



Device	Package	Pins	Site	Reel Diameter (mm)	Reel Width (mm)	A0 (mm)	B0 (mm)	K0 (mm)	P1 (mm)	W (mm)	Pin1 Quadrant
CD74HC4511M96	D	16	SITE 27	330	16	6.5	10.3	2.1	8	16	Q1
CD74HC4511PWR	PW	16	SITE 41	330	12	7.0	5.6	1.6	8	12	Q1

**TAPE AND REEL BOX DIMENSIONS**



Device	Package	Pins	Site	Length (mm)	Width (mm)	Height (mm)
CD74HC4511M96	D	16	SITE 27	342.9	336.6	28.58
CD74HC4511PWR	PW	16	SITE 41	346.0	346.0	29.0

J (R-GDIP-T\*\*)

14 LEADS SHOWN

CERAMIC DUAL IN-LINE PACKAGE



DIM \ PINS **	14	16	18	20
A	0.300 (7,62) BSC	0.300 (7,62) BSC	0.300 (7,62) BSC	0.300 (7,62) BSC
B MAX	0.785 (19,94)	.840 (21,34)	0.960 (24,38)	1.060 (26,92)
B MIN	—	—	—	—
C MAX	0.300 (7,62)	0.300 (7,62)	0.310 (7,87)	0.300 (7,62)
C MIN	0.245 (6,22)	0.245 (6,22)	0.220 (5,59)	0.245 (6,22)



4040083/F 03/03

- NOTES:
- All linear dimensions are in inches (millimeters).
  - This drawing is subject to change without notice.
  - This package is hermetically sealed with a ceramic lid using glass frit.
  - Index point is provided on cap for terminal identification only on press ceramic glass frit seal only.
  - Falls within MIL STD 1835 GDIP1-T14, GDIP1-T16, GDIP1-T18 and GDIP1-T20.

N (R-PDIP-T\*\*)

PLASTIC DUAL-IN-LINE PACKAGE

16 PINS SHOWN



- NOTES:
- A. All linear dimensions are in inches (millimeters).
  - B. This drawing is subject to change without notice.
  - Falls within JEDEC MS-001, except 18 and 20 pin minimum body length (Dim A).
  - The 20 pin end lead shoulder width is a vendor option, either half or full width.



D (R-PDSO-G16)

PLASTIC SMALL-OUTLINE PACKAGE



4040047-4/H 11/2006

- NOTES:
- A. All linear dimensions are in inches (millimeters).
  - B. This drawing is subject to change without notice.
  - C. Body length does not include mold flash, protrusions, or gate burrs. Mold flash, protrusions, or gate burrs shall not exceed .006 (0,15) per end.
  - D. Body width does not include interlead flash. Interlead flash shall not exceed .017 (0,43) per side.
  - E. Reference JEDEC MS-012 variation AC.

PW (R-PDSO-G\*\*)

PLASTIC SMALL-OUTLINE PACKAGE

14 PINS SHOWN



4040064/F 01/97

- NOTES: A. All linear dimensions are in millimeters.  
 B. This drawing is subject to change without notice.  
 C. Body dimensions do not include mold flash or protrusion not to exceed 0,15.  
 D. Falls within JEDEC MO-153

## IMPORTANT NOTICE

Texas Instruments Incorporated and its subsidiaries (TI) reserve the right to make corrections, modifications, enhancements, improvements, and other changes to its products and services at any time and to discontinue any product or service without notice. Customers should obtain the latest relevant information before placing orders and should verify that such information is current and complete. All products are sold subject to TI's terms and conditions of sale supplied at the time of order acknowledgment.

TI warrants performance of its hardware products to the specifications applicable at the time of sale in accordance with TI's standard warranty. Testing and other quality control techniques are used to the extent TI deems necessary to support this warranty. Except where mandated by government requirements, testing of all parameters of each product is not necessarily performed.

TI assumes no liability for applications assistance or customer product design. Customers are responsible for their products and applications using TI components. To minimize the risks associated with customer products and applications, customers should provide adequate design and operating safeguards.

TI does not warrant or represent that any license, either express or implied, is granted under any TI patent right, copyright, mask work right, or other TI intellectual property right relating to any combination, machine, or process in which TI products or services are used. Information published by TI regarding third-party products or services does not constitute a license from TI to use such products or services or a warranty or endorsement thereof. Use of such information may require a license from a third party under the patents or other intellectual property of the third party, or a license from TI under the patents or other intellectual property of TI.

Reproduction of TI information in TI data books or data sheets is permissible only if reproduction is without alteration and is accompanied by all associated warranties, conditions, limitations, and notices. Reproduction of this information with alteration is an unfair and deceptive business practice. TI is not responsible or liable for such altered documentation. Information of third parties may be subject to additional restrictions.

Resale of TI products or services with statements different from or beyond the parameters stated by TI for that product or service voids all express and any implied warranties for the associated TI product or service and is an unfair and deceptive business practice. TI is not responsible or liable for any such statements.

TI products are not authorized for use in safety-critical applications (such as life support) where a failure of the TI product would reasonably be expected to cause severe personal injury or death, unless officers of the parties have executed an agreement specifically governing such use. Buyers represent that they have all necessary expertise in the safety and regulatory ramifications of their applications, and acknowledge and agree that they are solely responsible for all legal, regulatory and safety-related requirements concerning their products and any use of TI products in such safety-critical applications, notwithstanding any applications-related information or support that may be provided by TI. Further, Buyers must fully indemnify TI and its representatives against any damages arising out of the use of TI products in such safety-critical applications.

TI products are neither designed nor intended for use in military/aerospace applications or environments unless the TI products are specifically designated by TI as military-grade or "enhanced plastic." Only products designated by TI as military-grade meet military specifications. Buyers acknowledge and agree that any such use of TI products which TI has not designated as military-grade is solely at the Buyer's risk, and that they are solely responsible for compliance with all legal and regulatory requirements in connection with such use.

TI products are neither designed nor intended for use in automotive applications or environments unless the specific TI products are designated by TI as compliant with ISO/TS 16949 requirements. Buyers acknowledge and agree that, if they use any non-designated products in automotive applications, TI will not be responsible for any failure to meet such requirements.

Following are URLs where you can obtain information on other Texas Instruments products and application solutions:

<b>Products</b>		<b>Applications</b>	
Amplifiers	<a href="http://amplifier.ti.com">amplifier.ti.com</a>	Audio	<a href="http://www.ti.com/audio">www.ti.com/audio</a>
Data Converters	<a href="http://dataconverter.ti.com">dataconverter.ti.com</a>	Automotive	<a href="http://www.ti.com/automotive">www.ti.com/automotive</a>
DSP	<a href="http://dsp.ti.com">dsp.ti.com</a>	Broadband	<a href="http://www.ti.com/broadband">www.ti.com/broadband</a>
Interface	<a href="http://interface.ti.com">interface.ti.com</a>	Digital Control	<a href="http://www.ti.com/digitalcontrol">www.ti.com/digitalcontrol</a>
Logic	<a href="http://logic.ti.com">logic.ti.com</a>	Military	<a href="http://www.ti.com/military">www.ti.com/military</a>
Power Mgmt	<a href="http://power.ti.com">power.ti.com</a>	Optical Networking	<a href="http://www.ti.com/opticalnetwork">www.ti.com/opticalnetwork</a>
Microcontrollers	<a href="http://microcontroller.ti.com">microcontroller.ti.com</a>	Security	<a href="http://www.ti.com/security">www.ti.com/security</a>
RFID	<a href="http://www.ti-rfid.com">www.ti-rfid.com</a>	Telephony	<a href="http://www.ti.com/telephony">www.ti.com/telephony</a>
Low Power Wireless	<a href="http://www.ti.com/lpw">www.ti.com/lpw</a>	Video & Imaging	<a href="http://www.ti.com/video">www.ti.com/video</a>
		Wireless	<a href="http://www.ti.com/wireless">www.ti.com/wireless</a>

Mailing Address: Texas Instruments, Post Office Box 655303, Dallas, Texas 75265  
Copyright © 2007, Texas Instruments Incorporated