

## DP83820 10/100/1000 Mb/s PCI Ethernet Network Interface Controller

### General Description

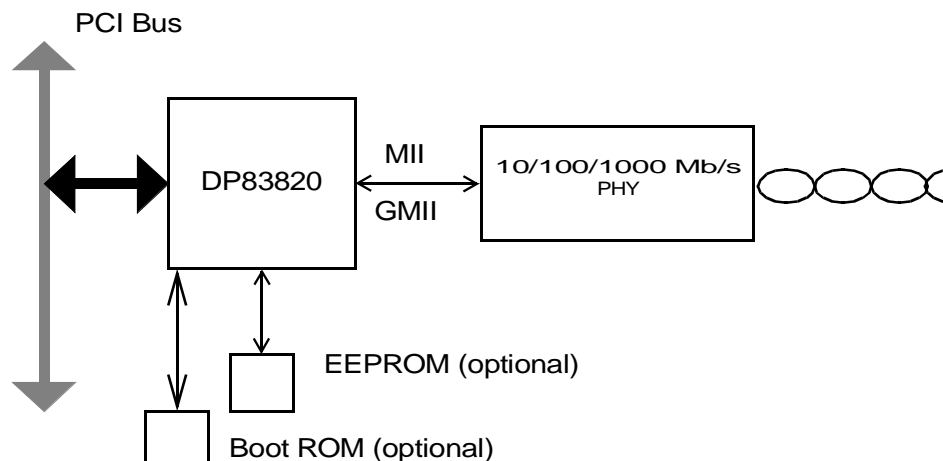
DP83820 is a single-chip 10/100/1000 Mb/s Ethernet Controller for the PCI bus. It is targeted at high-performance adapter cards and mother boards. The DP83820 fully implements the V2.2 66 MHz, 64-bit PCI bus interface for host communications with power management support. Packet descriptors and data are transferred via bus-mastering, reducing the burden on the host CPU. The DP83820 can support full duplex 10/100/1000 Mb/s transmission and reception.

### Features

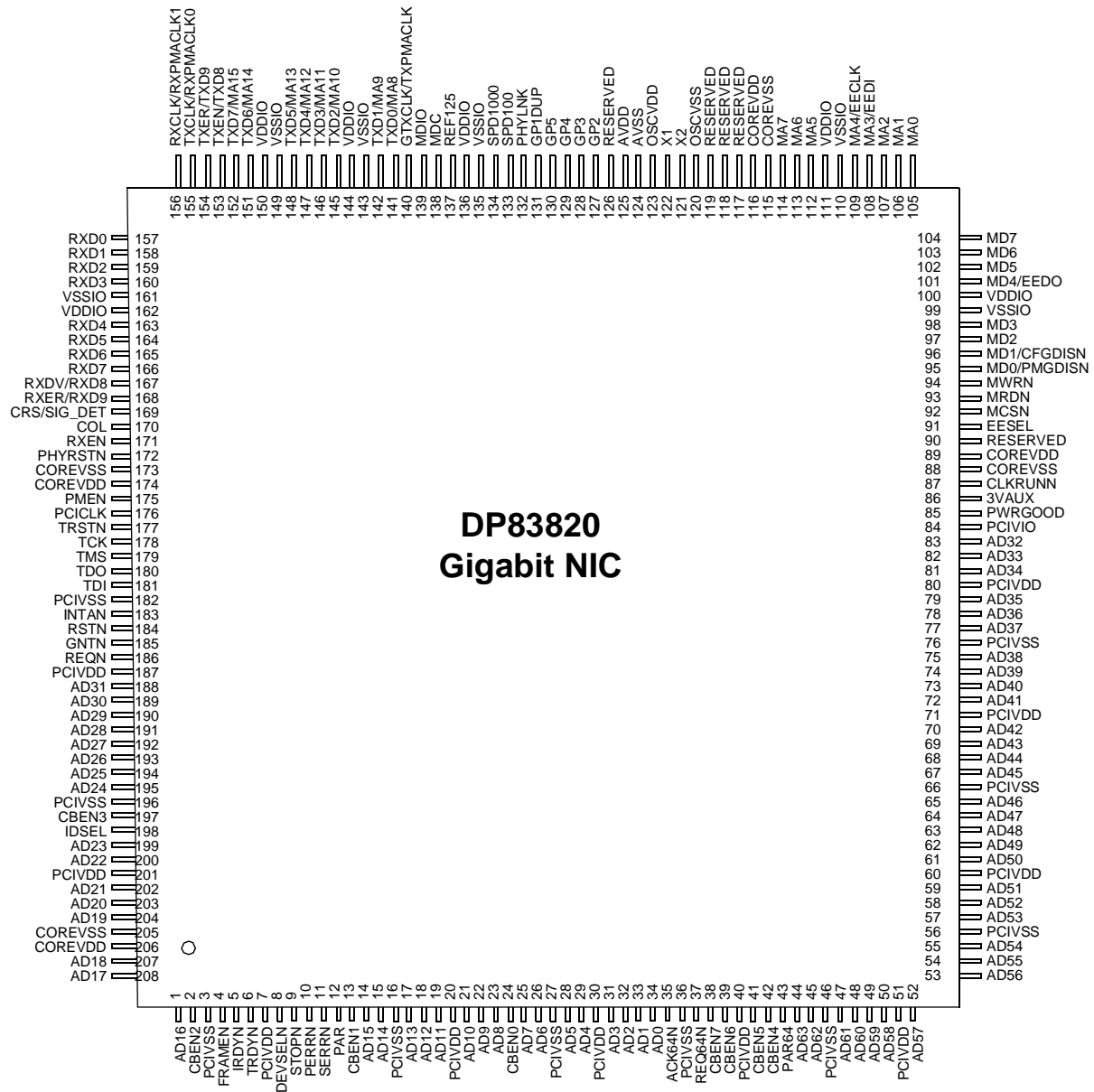
- IEEE 802.3 Compliant, 66/33 Mhz, 64/32-bit PCI V2.2 MAC/BIU supports data rates from 1 Mb/s to 1000 Mb/s. This allows support for traditional 10 Mb/s Ethernet, 100 Mb/s Fast Ethernet, as well as 1000 Mb/s Gigabit Ethernet.
- Flexible, programmable Bus master - burst sizes of up to 256 dwords (1024 bytes)
- BIU compliant with PC 97 and PC 98 Hardware Design Guides, PC 99 Hardware Design Guide draft, ACPI v1.0, PCI Power Management Specification v1, OnNow Device Class Power Management Reference Specification - Network Device Class v1.0a
- Wake on LAN (WOL) support compliant with PC98, PC99, and OnNow, including directed packets, Magic Packet with SecureOn, ARP packets, pattern match packets, and Phy status change
- GMII/MII provides IEEE 802.3 standard interface to support 10/100/1000 Mb/s physical layer devices
- Ten-Bit Interface (TBI) for support of 1000BASE-X

- Virtual LAN (VLAN) and long frame support. VLAN tag insertion support for transmit packets. VLAN tag detection and removal for receive packets
- 802.3x Full duplex flow control, including automatic transmission of Pause frames based on Rx FIFO thresholds
- IPv4 checksum task off-loading. Supports checksum generation and verification of IP, TCP, and UDP headers
- 802.1D and 802.1Q priority queueing support. Supports multiple priority queues in both transmit and receive directions.
- Extremely flexible Rx packet filtration including: single address perfect filter with MSb masking, broadcast, 2,048 entry multicast/unicast hash table, deep packet pattern matching for up to 4 unique patterns.
- Statistics gathered for support of RFC 1213 (MIB II), RFC 1398 (Ether-like MIB), IEEE 802.3 LME, reducing CPU overhead for management.
- Internal 8 KB Transmit and 32 KB Receive data FIFOs
- Supports Jumbo packets
- Serial EEPROM port with auto-load of configuration data from EEPROM at power-on
- Flash/PROM interface for remote boot support
- Full Duplex support for 10/100/1000 Mb/s data rates
- 208-pin PQFP package
- Low power CMOS design
- 3.3V powered I/Os with 5V tolerant inputs
- JTAG Boundary Scan supported

### System Diagram



# 1.0 Connection Diagram



## DP83820 Gigabit NIC

Order Number DP83820VUW  
See NS Package Number NVUW208A

## 2.0 Pin Descriptions

### PCI Interface

Symbol	Pin No(s)	Direction	Description
AD31-0	188, 189, 190, 191, 192, 193, 194, 195, 199, 200, 202, 203, 204, 207, 208, 1, 14, 15, 17, 18, 19, 21, 22, 23, 25, 26, 28, 29, 31, 32, 33, 34	I/O	<b>Address and Data:</b> Multiplexed address and data bus. As a bus master, the DP83820 will drive address during the first bus phase. During subsequent phases, the DP83820 will either read or write data expecting the target to increment its address pointer. As a bus target, the DP83820 will decode each address on the bus and respond if it is the target being addressed.
CBEN3-0	197, 2, 13, 24	I/O	<b>Bus Command/Byte Enable:</b> During the address phase these signals define the "bus command" or the type of bus transaction that will take place. During the data phase these pins indicate which byte lanes contain valid data. CBEN0 applies to byte 0 (bits 7-0) and CBEN3 applies to byte 3(bits 31-24).
PCICLK	176	I	<b>Clock:</b> This PCI Bus clock provides timing for all bus phases. The rising edge defines the start of each phase. The clock frequency ranges from 0 to 66 MHz.
DEVSELN	8	I/O	<b>Device Select:</b> As a target, the DP83820 asserts this signal low when it recognizes its address after FRAMEN is asserted. As a bus master, the DP83820 samples this signal to insure that the destination address for the data transfer is recognized by a PCI target.
FRAMEN	4	I/O	<b>Frame:</b> As a bus master, this signal is asserted low to indicate the beginning and duration of a bus transaction. Data transfer takes place when this signal is asserted. It is de-asserted before the transaction is in its final phase. As a target, the device monitors this signal before decoding the address to check if the current transaction is addressed to it.
GNTN	185	I	<b>Grant:</b> This signal is asserted low to indicate to the DP83820 that it has been granted ownership of the bus by the central arbiter. This input is used when the DP83820 is acting as a bus master.
IDSEL	198	I	<b>Initialization Device Select:</b> This pin is sampled by the DP83820 to identify when configuration read and write accesses are intended for it.
INTAN	183	O	<b>Interrupt A:</b> This signal is asserted low when an interrupt condition as defined in the Interrupt Status Register, Interrupt Mask, and Interrupt Enable registers occurs.
IRDYN	5	I/O	<b>Initiator Ready:</b> As a bus master, this signal will be asserted low when the DP83820 is ready to complete the current data phase transaction. This signal is used in conjunction with the TRYDN signal. Data transaction takes place at the rising edge of PCICLK when both IRDYN and TRDYN are asserted low. As a target, this signal indicates that the master has put the data on the bus.
PAR	12	I/O	<b>Parity:</b> This signal indicates even parity across AD31-0 and CBEN3-0 including the PAR pin. As a master, PAR is asserted during address and write data phases. As a target, PAR is asserted during read data phases.
PERRN	10	I/O	<b>Parity Error:</b> The DP83820 as a master or target will assert this signal low to indicate a parity error on any incoming data (except for special cycles). As a bus master, it will monitor this signal on all write operations (except for special cycles).
REQN	186	O	<b>Request:</b> The DP83820 will assert this signal low to request the ownership of the bus to the central arbiter.
RSTN	184	I	<b>Reset:</b> When this signal is asserted all outputs of DP83820 will be tri-stated and the device will be put into a known state.

## 2.0 Pin Descriptions (Continued)

### PCI Interface

Symbol	Pin No(s)	Direction	Description
SERRN	11	I/O	<b>System Error:</b> This signal is asserted low by DP83820 during address parity errors and system errors if enabled.
STOPN	9	I/O	<b>Stop:</b> This signal is asserted low by the target device to request the master device to stop the current transaction.
TRDYN	6	I/O	<b>Target Ready:</b> As a target, this signal will be asserted low when the (slave) device is ready to complete the current data phase transaction. This signal is used in conjunction with the IRDYN signal. Data transaction takes place at the rising edge of PCICLK when both IRDYN and TRDYN are asserted low. As a master, this signal indicates that the target is ready for the data during write operation and with the data during read operation.
PMEN	175	O	<b>Power Management Event:</b> This signal is asserted low by DP83820 to indicate that a power management event has occurred.
3VAUX	86	I	<b>PCI Aux Voltage Sense:</b> This pin is used to sense the presence of a 3.3v auxiliary supply in order to define the PME Support available. This pin pad has an internal weak pull down.
PWRGOOD	85	I	<b>PCI bus power good:</b> Connected to PCI bus 3.3v power, this pin is used to sense the presence of PCI bus power during the D3 power management state. This pin pad has an internal weak pull down.
CLKRUNN	87	I/O	<b>Clockrun:</b> This signal is asserted low by DP83820 to indicate that a Clockrun Event has occurred.
AD63-32	44, 45, 47, 48, 49, 50, 52, 53, 54, 55, 57, 58, 59, 61, 62, 63, 64, 65, 67, 68, 69, 70, 72, 73, 74, 75, 77, 78, 79, 81, 82, 83	I/O	<b>64-bit Extension Address and Data:</b> Multiplexed address and data bus. Provides upper address bits during 64-bit DAC command. During data phase, used for transferring upper 32-bits of a 64-bit data transaction.
CBEN7-4	38, 39, 41, 42	I/O	<b>64-bit Extension Bus Command/Byte Enables:</b> During the address phase these signals define the "bus command" for a 64-bit DAC command. During a 64-bit data phase these pins indicate which byte lanes contain valid data. CBEN4 applies to byte 4(bits 39-32) and CBEN7 applies to byte 7(bits 63-56).
REQ64N	37	I/O	<b>Request 64-bit Transfer:</b> The DP83820 will assert this signal low to request a 64-bit transfer of data. This pin is sampled by the DP83820 during reset to determine if the device is connected to a 64-bit datapath.
ACK64N	35	I	<b>Acknowledge 64-bit Transfer:</b> The DP83820 will samples this signal on bus master cycles when it has requested a 64-bit data transfer. If both REQ64N and ACK64N are asserted, then a 64-bit transfer will be performed. As a target, the DP83820 only supports 32-bit transfers, so it will never assert ACK64N.
PAR64	43	I/O	<b>Parity Upper DWORD:</b> This signal indicates even parity across AD63-32 and CBEN7-4 including the PAR64 pin. As a master, PAR64 is driven during address and write data phases. As a target, the DP83820 only supports 32-bit transfers, so it will not drive PAR64.
PCIVIO	84	I	<b>PCI Bus VIO:</b> This pin should be connected to the VIO pins of the PCI bus. It provides a direct connection to the ESDPLUS ring for biasing. It may be connected to 5V if available. It should not be connected to 3.3V unless all signaling is 3.3V as this will interfere with 5V tolerance. Care should be taken in connecting this to power supplies when power management functions are enabled.

## 2.0 Pin Descriptions (Continued)

### Media Independent Interface (MII) - and Gigabit Media Independent Interface (GMII).

Symbol	Pin No(s)	Direction	Description
COL	170	I	<b>Collision Detect:</b> The COL signal is asserted high asynchronously by the external PMD upon detection of a collision on the medium. It will remain asserted as long as the collision condition persists.
CRS/SIGDET	169	I	<b>Carrier Sense:</b> This signal is asserted high asynchronously by the external physical unit upon detection of a non-idle medium. <b>Signal Detect:</b> In TBI mode, this signal is used to bring in the Signal Detect indication from the Phy.
MDC	138	O	<b>Management Data Clock:</b> Clock signal with a maximum rate of 2.5 MHz used to transfer management data for the external PMD on the MDIO pin.
MDIO	139	I/O	<b>Management Data I/O:</b> Bidirectional signal used to transfer management information for the external PMD. Requires an external 4.7 K $\Omega$ pullup resistor.
RXCLK/ RXPMACLK1	156	I	<b>Receive Clock:</b> A continuous clock, sourced by an external PMD device, that is recovered from the incoming data. During 1000 Mb/s mode RX_CLK is 125 MHz, during 100 Mb/s operation RX_CLK is 25 MHz and during 10 Mb/s this is 2.5 MHz. <b>Receive PMA Clock 1:</b> In TBI mode, this 62.5Mhz clock is used in conjunction with RXPMACLK0 to clock 10-bit TBI data into the DP83820. The rising edge of RXPMACLK1 clocks the even-numbered bytes.
RXD7, RXD6, RXD5, RXD4, RXD3, RXD2, RXD1, RXD0	166, 165, 164, 163, 160, 159, 158, 157	I	<b>Gigabit Receive Data:</b> This is a group of 8 signals, sourced from an external PMD, that contains data aligned on byte boundaries and are driven synchronous to the RX_CLK. RXD7 is most significant bit. <b>Receive Data:</b> This is a group of 4 signals, sourced from an external PMD, that contains data aligned on nibble boundaries and are driven synchronous to the RX_CLK. RXD3 is the most significant bit and RXD0 is the least significant bit. RXD7 through RXD4 are not used in this mode. <b>TBI Receive Data:</b> In TBI mode, these bits are the lower 8 bits of the 10-bit TBI Receive data.
RXDV/RXD8	167	I	<b>Receive Data Valid:</b> This indicates that the external PMD is presenting recovered and decoded nibbles on the RXD signals, and that RX_CLK is synchronous to the recovered data in 100 Mb/s operation. This signal will encompass the frame, starting with the Start-of-Frame delimiter (JK) and excluding any End-of-Frame delimiter (TR). <b>TBI Receive Data:</b> In TBI mode, this is RXD8 of the 10-bit TBI Receive data.
RXER/RXD9	168	I	<b>Receive Error:</b> This signal is asserted high synchronously by the external PMD whenever it detects a media error and RXDV is asserted in 100 Mb/s or 1000 Mb/s operation. <b>TBI Receive Data:</b> In TBI mode, this is RXD9 of the 10-bit TBI Receive data.
RXEN	171	O	<b>Receive Output Enable:</b> This pin is used to disable an external PMD while the BIOS ROM is being accessed.
TXCLK/ RXPMACLK0	155	I	<b>MII Transmit Clock:</b> A continuous clock that is sourced by the external PMD. During 100 Mb/s operation this is 25 MHz +/- 100 ppm. During 10 Mb/s operation this clock is 2.5 MHz +/- 100 ppm. <b>Receive PMA Clock 0:</b> In TBI mode, this 62.5Mhz clock is used in conjunction with RXPMACLK1 to clock 10-bit TBI data into the DP83820. The rising edge of RXPMACLK0 clocks the odd-numbered bytes.

## 2.0 Pin Descriptions (Continued)

### Media Independent Interface (MII) - and Gigabit Media Independent Interface (GMII).

Symbol	Pin No(s)	Direction	Description
TXD7/MA15, TXD6/MA14, TXD5/MA13, TXD4/MA12, TXD3/MA11, TXD2/MA10, TXD1/MA9, TXD0/MA8	152, 151, 148, 147, 146, 145, 142, 141	O	<p><b>Gigabit Transmit Data:</b> This is a group of 8 signals which are driven synchronous to GTXCLK. TXD7 is the most significant bit.</p> <p><b>Transmit Data:</b> This is a group of 4 data signals which are driven synchronous to the TXCLK for transmission to the external PMD. TXD3 is the most significant bit and TXD0 is the least significant bit. TXD7 through TXD4 are not used in this mode</p> <p><b>TBI Transmit Data:</b> In TBI mode, this is the lower 8 bits of the 10-bit TBI Transmit data.</p> <p><b>BIOS ROM Address:</b> During external BIOS ROM access, these signals become part of the ROM address.</p>
TXEN/TXD8	153	O	<p><b>Transmit Enable:</b> This signal is synchronous to TXCLK and provides precise framing for data carried on TXD3-0 for the external PMD. It is asserted when TXD3-0 contains valid data to be transmitted.</p> <p><b>TBI Transmit Data:</b> In TBI mode, this is TXD8 of the 10-bit TBI Transmit data.</p>
TXER/TXD9	154	O	<p><b>Transmit Error:</b> This signal is synchronous to TXCLK and provides error indications and also is used for 1000 Mb/s half-duplex carrier extension and packet bursting functions. The DP83820 will only assert this signal in 1000 Mb/s mode of operation.</p> <p><b>TBI Transmit Data:</b> In TBI mode, this is TXD9 of the 10-bit TBI Transmit data.</p>
GTCLK/ TXPMACLK	140	O	<p><b>GMII transmit Clock:</b> A continuous clock used for 1000 Mb/s. It is output to an external PMD and is the reference clock for Transmit GMII signaling. The clock frequency is 125 MHz.</p> <p><b>TBI Transmit Clock:</b> In TBI mode, this is the 125MHz transmit clock to an external PMD and is the reference for Transmit TBI signaling.</p>
REF125	137	I	<p><b>125 MHz Reference Clock:</b> May be optionally connected to a 125 MHz oscillator for 1000 Mb/s mode. If not used should be tied high.</p>

### BIOS ROM/Flash Interface

Symbol	Pin No(s)	Direction	Description
MCSN	92	O	<p><b>BIOS PROM/Flash Chip Select:</b> During a BIOS ROM/Flash access, this signal is used to select the ROM device.</p>
MD7, MD6, MD5, MD4/EEDO, MD3, MD2, MD1/CFGDISN, MD0/PMGDISN	104, 103, 102, 101, 98, 97, 96, 95,	I/O	<p><b>BIOS ROM/Flash Data Bus:</b> During a BIOS ROM/Flash access these signals are used to transfer data to or from the ROM/Flash device.</p> <p>MD5:0 and MD7 pin pads have an internal weak pull up.</p> <p>MD6 pin pad has an internal weak pull down.</p>
MA15/TXD7, MA14/TXD6, MA13/TXD5, MA12/TXD4, MA11/TXD3, MA10/TXD2, MA9/TXD1, MA8/TXD0, MA7, MA6, MA5, MA4/EECLK, MA3/EEDI, MA2, MA1, MA0	152, 151, 148, 147, 146, 145, 142, 141, 114, 113, 112, 109, 108, 107, 106, 105	O	<p><b>BIOS ROM/Flash Address:</b> During a BIOS ROM/Flash access, these signals are used to drive the ROM/Flash address.</p>

## 2.0 Pin Descriptions (Continued)

### BIOS ROM/Flash Interface

Symbol	Pin No(s)	Direction	Description
MWRN	94	O	<b>BIOS ROM/Flash Write:</b> During a BIOS ROM/Flash access, this signal is used to enable data to be written to the Flash device.
MRDN	93	O	<b>BIOS ROM/Flash Read:</b> During a BIOS ROM/Flash access, this signal is used to enable data to be read from the Flash device.

Note: DP83820 supports NM27LV010 for the ROM interface device.

### Clock Interface

Symbol	Pin No(s)	Direction	Description
X1	122	I	<b>Crystal/Oscillator Input:</b> This pin is the primary clock reference input for the DP83820 IC and must be connected to a 25MHz 0.005% (50ppm) clock source. The DP83820 device supports either an external crystal resonator connected across pins X1 and X2, or an external CMOS-level oscillator source connected to pin X1 only.
X2	121	O	<b>Crystal Output:</b> This pin is used in conjunction with the X1 pin to connect to an external 25MHz crystal resonator device. This pin must be left unconnected if an external CMOS oscillator clock source is utilized. For more information see the definition for pin X1.

### Phy And General Purpose Interface

Symbol	Pin No(s)	Direction	Description
GP1DUP	131	I/O	<b>General Purpose Pin 1 or Duplex Status:</b> By default, this pin can be used to input the Full Duplex status from an external Phy. The pin can also be programmed as a general purpose I/O. This pin pad has an internal weak pull up.
GP2	127	I/O	<b>General Purpose Pin 2:</b> This pin is a general purpose I/O pin that can be programmed as an input or output. This pin has an internal weak pull up.
GP3	128	I/O	<b>General Purpose Pin 3:</b> This pin is a general purpose I/O pin that can be programmed as an input or output. This pin has an internal weak pull up.
GP4	129	I/O	<b>General Purpose Pin 4:</b> This pin is a general purpose I/O pin that can be programmed as an input or output. This pin has an internal weak pull up.
GP5	130	I/O	<b>General Purpose Pin 5:</b> This pin is a general purpose I/O pin that can be programmed as an input or output. This pin has an internal weak pull up.
PHYLNK	132	I	<b>Phy Link Status:</b> This can be used to input the Phy Link Status. This allows the value to be read back from the MAC register space.
SPD100	133	I	<b>100 Mb/s Speed Status:</b> This can be used to input the 100 Mb/s Speed Status from an external phy. This is used along with the SPD1000 bit to determine current speed status of the Phy.
SPD1000	134	I	<b>1000 Mb/s Speed Status:</b> This can be used to input the 1000 Mb/s Speed Status from an external phy. This is used along with the SPD100 bit to determine current speed status of the Phy.
PHYRSTN	172	O	<b>Phy Reset:</b> This pin can be used to reset an External Phy.

## 2.0 Pin Descriptions (Continued)

### Serial EEPROM Interface

Symbol	Pin No(s)	Direction	Description
EESEL	91	O	<b>EEPROM Chip Select:</b> This signal is used to enable the external EEPROM device.
MA4/EECLK	109	O	<b>EEPROM Clock:</b> During an EEPROM access (EESEL asserted), this pin is an output used to drive the serial clock to an external EEPROM device.
MA3/EEDI	108	O	<b>EEPROM Data In:</b> During an EEPROM access (EESEL asserted), this output is drives opcode, address, and data to an external serial EEPROM device.
MD4/EEDO	101	I	<b>EEPROM Data Out:</b> During an EEPROM access (EESEL asserted), this pin is an input used to retrieve EEPROM serial read data. This pin pad has an internal weak pull up.

Note: DP83820 supports NMC93C46 for the eeprom interface device.

### JTAG Interface

Symbol	Pin No(s)	Direction	Description
TCK	178	I	Test Clock
TDI	181	I	Test Data Input
TDO	180	O	Test Output
TMS	179	I	Test Mode Select
TRSTN	177	I	Test Reset

### Supply Pins

Symbol	Pin No(s)	Direction	Description
COREVDD	89, 116, 174, 206	S	Mac/BIU digital core VDD - connect to Aux 1.8V supply VDD
COREVSS	88, 115, 173, 205	S	Mac/BIU digital core VSS.
OSCVDD	123	S	Oscillator VDD - connect to Aux 1.8V supply VDD
OSCVSS	120	S	Oscillator VSS.
PCIVDD	187, 201, 7, 20, 30, 40, 51, 60, 71, 80	S	PCI IO VDD - connect to PCI bus 3.3V VDD
PCIVSS	182, 196, 3, 16, 27, 36, 46, 56, 66, 76	S	PCI IO VSS
VDDIO, AVDD	100, 111, 136, 144, 150, 162, 125	S	Misc. IO VDD, Analog VDD - connect to Aux 3.3V supply VDD
VSSIO, AVSS	99, 110, 135, 143, 149, 161, 124	S	Misc. IO VSS, Analog VSS

### No Connects

Symbol	Pin No(s)	Direction	Description
Reserved	90, 117, 118, 119, 126		This pin is reserved and cannot be connected to any external logic or net.



### 3.0 Functional Description

DP83820 consists of a PCI bus interface, BIOS ROM and EEPROM interfaces, Receive and Transmit Data Buffer Managers, an 802.3 Media Access Controller (MAC), SRAM, and miscellaneous support logic.

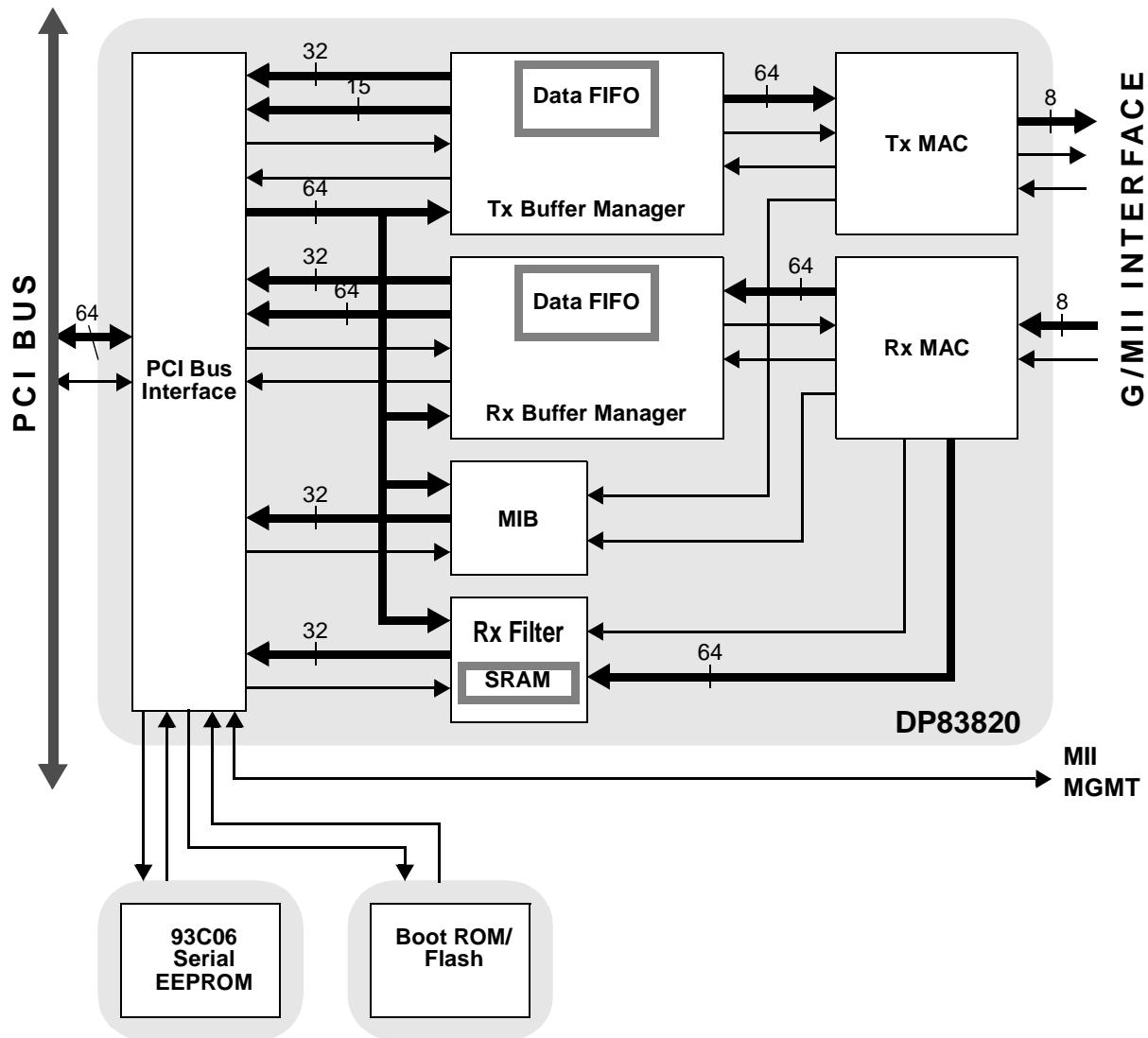


Figure 3-1 DP83820 Functional Block Diagram

#### 3.1 DP83820

The DP83820 device is an enhanced version of the NSC MacPhyter MAC/BIU (Media Access Controller/Bus Interface Unit) which has been modified for 1000 Mb/s operation with additional buffering, higher bandwidth PCI bus implementation, and the Gigabit Media Independent Interface for 1000BASE-T phy support. The DP83820 supports an external 10/100/1000 physical layer device.

DP83820 contains the following major design elements:

- a PCI bus interface,
- an EEPROM interface, for access to an NMC93C06 EEPROM,

- a buffer management scheme that is simple, efficient and flexible,
- separate receive and transmit FIFOs and DMA controllers,
- a 10/100/1000 Mb/s Ethernet Media Access Control (MAC),
- a Physical Layer Interface (MII/GMII/TBI),
- Management Information Base (MIB) Statistics Registers,
- Receive Packet filtering logic.

This following section provides a functional overview of interfaces of the DP83820.

## 3.0 Functional Description (Continued)

### 3.2 PCI Bus Interface

The DP83820 implements the Peripheral Component Interconnect (PCI) bus interface as defined in PCI Local Bus Specification Version 2.2. When internal registers are being accessed the DP83820 acts as a PCI target (slave). When accessing host memory for descriptor or packet data transfer, the DP83820 acts as a PCI bus master.

All required pins and functions are implemented. The optional interface pin INTA for support of interrupt requests is implemented as well. The bus interface also supports 64-bit and 66Mhz operation in addition to the more common 32-bit and 33-Mhz capabilities.

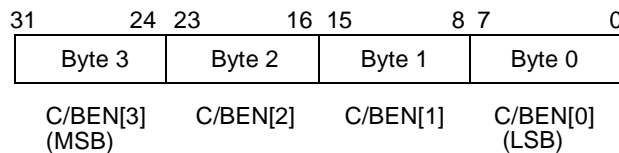
For more information, refer to the PCI Local Bus Specification version 2.2, December 18, 1998.

### 3.2.1 Byte Ordering

The DP83820 can be configured to order the bytes of data on the AD[31:0] bus to conform to Little Endian or Big Endian ordering through the use of the CFG:BEM bit. Byte ordering only affects bus mastered packet data transfers in 32-bit mode. Register information remains bit aligned (i.e. AD[31] maps to bit 31 in any register space, AD[0] maps to bit 0, etc.) when registers are accessed with 32-bit operations. Bus mastered transfers of buffer descriptor information also remain bit aligned.

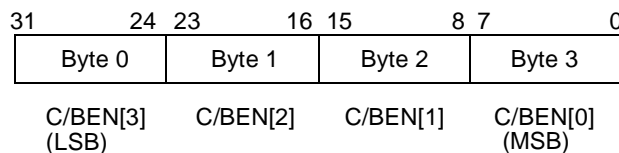
When configured for Little Endian (CFG:BEM=0), the byte orientation for receive and transmit data and descriptors in system memory is as follows:

Figure 3-2 Little Endian Byte Ordering



When configured for *big-endian* mode (CFG:BEM=1), the byte orientation for receive and transmit data and descriptors in system memory is as follows:

Figure 3-3 Big Endian Byte Ordering



### 3.2.2 Interrupt Control

Interrupts are performed by asynchronously asserting the INTAN pin. This pin is an open drain output. The source of the interrupt can be determined by reading the Interrupt Status Register (ISR) (See Section 4.2.6). One or more bits in the ISR will be set, denoting all currently pending interrupts. Reading of the ISR clears ALL bits. Masking of specific interrupts can be accomplished by using the Interrupt Mask Register (IMR) (See Section 4.2.7). Assertion of INTAN can be prevented by clearing the Interrupt Enable bit in the Interrupt Enable Register (See Section 4.2.8). This allows the system to defer interrupt processing as needed.

### 3.2.3 Latency Timer

The *Latency Timer* described in CFGLAT:LAT (See Section 4.1.4) defines the maximum number of bus clocks that the device will hold the bus. Once the device gains control of the bus and issues FRAMEN, the Latency Timer will begin counting down. If GNTN is deasserted before the DP83820 has finished with the bus, the device will maintain ownership of the bus until the timer reaches zero (or has finished the bus transfer). The timer is an 8-bit counter, with the lower 4 bits hard-coded to 1111b. This means that the timer value can only be incremented in units of 16 clocks.

### 3.2.4 64-Bit Data Operation

The DP83820 supports 64-bit operation as a bus master for transferring descriptor and packet data information. This mode can be enabled or disabled through configuration from EEPROM. As a target, the DP83820 only supports

32-bit mode of operation. At the rising edge of RSTN, the DP83820 samples the REQ64N pin to determine if the bus is 64-bit capable. If the bus is not 64-bit capable, the DP83820 will drive the 64-bit extension signals AD[63:32], CBEN[7:4], and PAR64 to a low level to prevent the floating inputs from causing significant current drain.

### 3.2.5 64-Bit Addressing

The DP83820 supports 64-bit addressing (Dual Address Cycle) as a bus master for transferring descriptor and packet data information. This mode can be enabled or disabled through configuration from EEPROM. The DP83820 also supports 64-bit addressing as a target.

## 3.3 Bus Operation

### 3.3.1 Target Read

A Target Read operation starts with the system generating FRAMEN, Address, and either an IO read (0010b) or Memory Read (0110b) command. See Figure 3-4. If the 32-bit address on the address bus matches the IO address range specified in CFGIOA:IOBASE (for I/O reads) or the memory address range specified in CFGMA:MEMBASE (for memory reads), the DP83820 will generate DEVSELN 2 clock cycles later (medium speed).

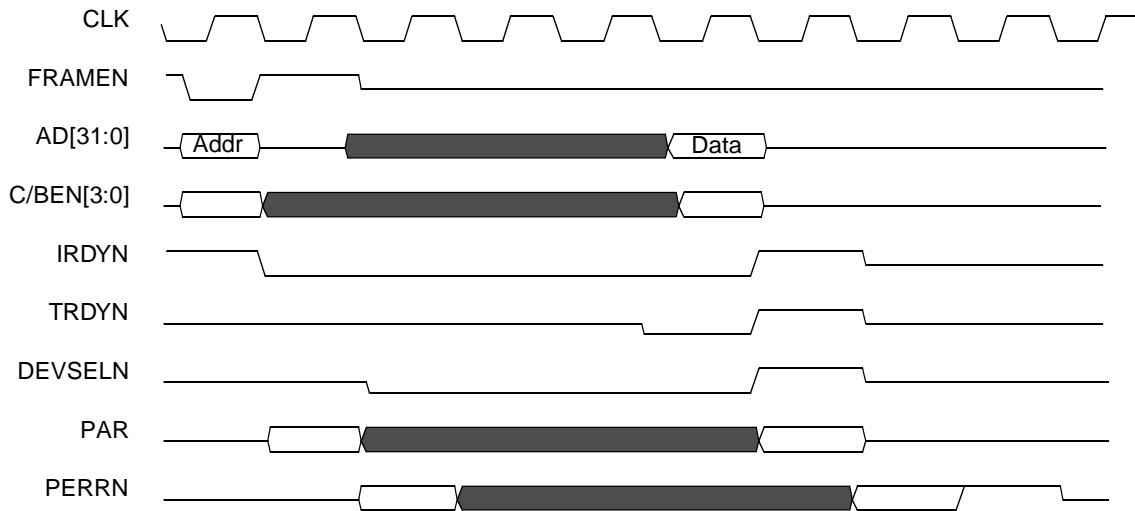
The system must tri-state the Address bus, and convert the C/BEN bus to byte enables, after the address cycle. On the 2nd cycle after the assertion of DEVSELN, all 32-bits of data and TRDYN will become valid. If IRDYN is asserted at that time, TRDYN will be forced HIGH on the next clock for 1 cycle, and then tri-stated.

### 3.0 Functional Description (Continued)

If FRAMEN is asserted beyond the assertion of IRDYN, the DP83820 will still make data available as described above, but will also issue a Disconnect. That is, it will assert the

STOPN signal with TRDYN. STOPN will remain asserted until FRAMEN is detected as deasserted.

**Figure 3-4 Target Read Operation**



#### 3.3.2 Target Write

A Target Write operation starts with the system generating FRAMEN, Address, and Command (0011b or 0111b). See Figure 3-5. If the upper 24 bits on the address bus match CFGIOA:IOBASE (for I/O reads) or CFGMA:MEMBASE (for memory reads), the DP83820 will generate DEVSELN 2 clock cycles later.

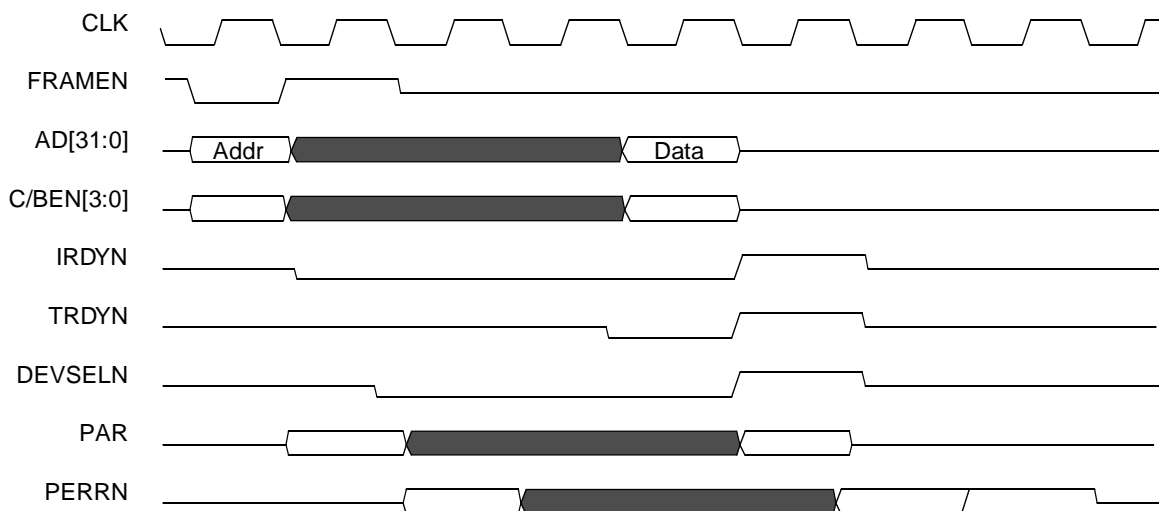
On the 2nd cycle after the assertion of DEVSELN, the device will monitor the IRDYN signal. If IRDYN is asserted

at that time, the DP83810 will assert TRDYN. On the next clock the 32-bit double word will be latched in, and TRDYN will be forced HIGH for 1 cycle and then tri-stated.

Note: Target write operations must be 32-bits wide.

If FRAMEN is asserted beyond the assertion of IRDYN, the DP83820 will still latch the first double word as described above, but will also issue a Disconnect. That is, it will assert the STOPN signal with TRDYN. STOPN will remain asserted until FRAMEN is detected as deasserted.

**Figure 3-5 Target Write Operation**



## 3.0 Functional Description (Continued)

### 3.3.3 Master Read

A Master Read operation starts with the DP83820 asserting REQN. See Figure 3-6. If GNTN is asserted within 2 clock cycles, FRAMEN, Address, and Command will be generated 2 clocks after REQN (Address and FRAMEN for 1 cycle only). If GNTN is asserted 3 cycles or later, FRAMEN, Address, and Command will be generated on the clock following GNTN.

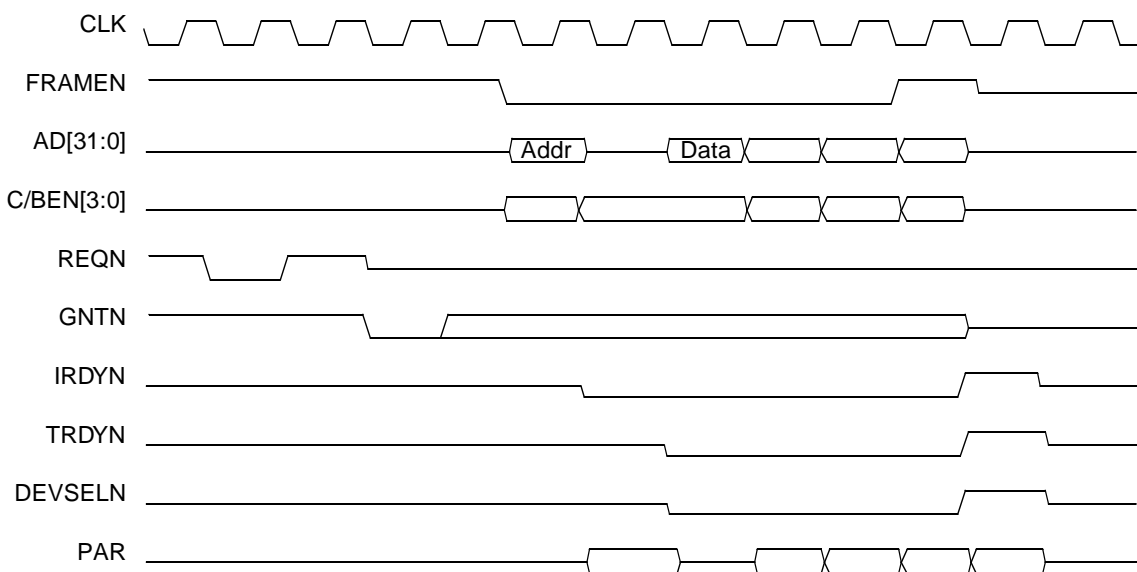
The device will wait for 8 cycles for the assertion of DEVSELN. After 8 clocks without DEVSELN, the device will issue a Master Abort by asserting FRAMEN HIGH for 1 cycle. IRDYN will be forced HIGH on the following cycle. Both signals will become tri-state on the cycle following their deassertion.

On the clock edge after the generation of Address and Command, the address bus will become tri-state, and the

C/BEN bus will contain valid byte enables. On the clock edge after FRAMEN was asserted, IRDYN will be asserted (and FRAMEN will be deasserted if this is to be a single read operation). On the clock where both TRDYN and DEVSELN are detected as asserted, data will be latched in (and the byte enables will change if necessary). This will continue until the cycle following the deassertion of FRAMEN.

On the clock where the second to last read cycle occurs, FRAMEN will be forced HIGH (it will be tri-stated 1 cycle later). On the next clock edge that the device detects TRDYN asserted, it will force IRDYN HIGH. It, too, will be tri-stated 1 cycle later. This will conclude the read operation. The DP83820 will never force a wait state during a read operation.

Figure 3-6 Master Read Operation



### 3.3.4 Master Write

A Master Write operation starts with the DP83820 asserting REQN. See Figure 3-7. If GNTN is asserted within 2 clock cycles, FRAMEN, Address, and Command will be generated 2 clocks after REQN (Address and FRAMEN for 1 cycle only). If GNTN is asserted 3 cycles or later, FRAMEN, Address, and Command will be generated on the clock following GNTN.

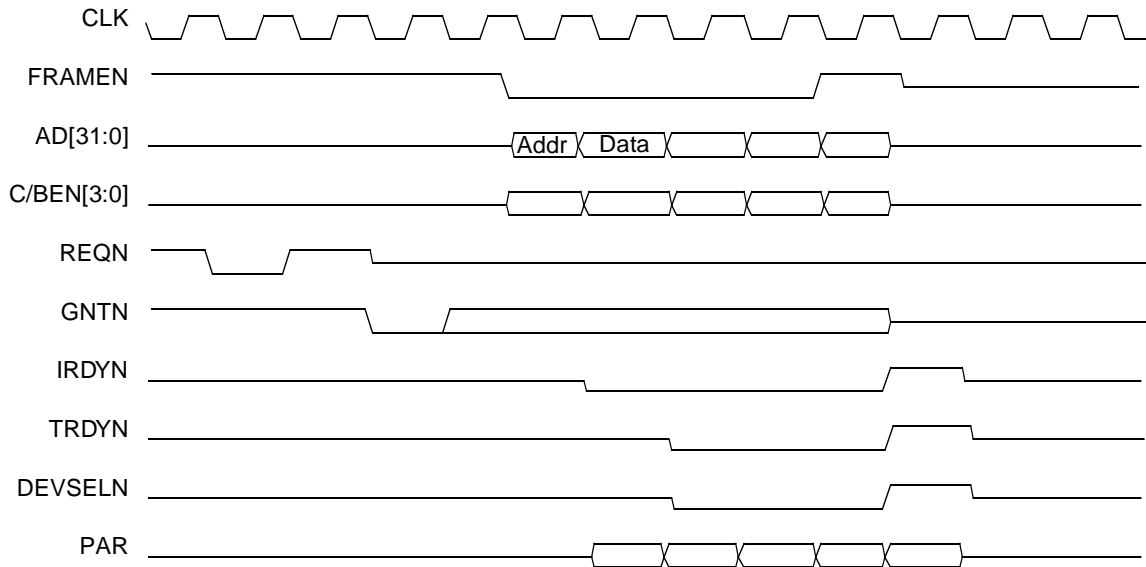
The device will wait for 8 cycles for the assertion of DEVSELN. After 8 clocks without DEVSELN, the device will issue a Master Abort by asserting FRAMEN HIGH for 1 cycle. IRDYN will be forced HIGH on the following cycle. Both signals will become tri-state on the cycle following their deassertion.

On the clock edge after the generation of Address and Command, the data bus will become valid, and the C/BEN bus will contain valid byte enables. On the clock edge after FRAMEN was asserted, IRDYN will be asserted (and FRAMEN will be deasserted if this is to be a single read operation). On the clock where both TRDYN and DEVSELN are detected as asserted, valid data for the next cycle will become available (and the byte enables will change if necessary). This will continue until the cycle following the deassertion of FRAMEN.

On the clock where the second to last write cycle occurs, FRAMEN will be forced HIGH (it will be tri-stated 1 cycle later). On the next clock edge that the device detects TRDYN asserted, it will force IRDYN HIGH. It, too, will be tri-stated 1 cycle later. This will conclude the write operation. The DP83820 will never force a wait state during a write operation.

## 3.0 Functional Description (Continued)

Figure 3-7 Master Write Operation



### 3.3.5 Configuration Access

Configuration register accesses are similar to Target reads and writes in that they are single data word transfers and are initiated by the system. For the system to initiate a Configuration access, it must also generate IDSELN as well as the correct Command (1010b or 1011b) during the Address phase. The DP83820 will respond as it does during Target operations.

Note: Configuration reads must be 32-bits wide, but writes may access individual bytes.

### 3.4 Packet Buffering

The DP83820 incorporates two independent FIFOs for transferring data to/from the system interface and from/to the network. The FIFOs, providing temporary storage of data, free the host system from the real-time demands of the network.

The way in which the FIFOs are emptied and filled is controlled by the FIFO threshold values in the TXCFG and RXCFG registers (See Sections 4.2.12 and 4.2.16). These values determine how full or empty the FIFOs must be before the device requests the bus. Additionally, there is a threshold value that determines how full the transmit FIFO must be before beginning transmission. Once the DP83820 requests the bus, it will attempt to empty or fill the FIFOs as allowed by the respective MXDMA settings in TXCFG and RXCFG.

#### 3.4.1 Transmit Buffer Manager

The buffer management scheme used on the DP83820 allows quick, simple and efficient use of the frame buffer memory. The buffer management scheme uses separate buffers and descriptors for packet information. This allows effective transfers of data to the transmit buffer manager by simply transferring the descriptor information to the transmit queue. Refer to the Buffer Management section for complete information.

The Tx Buffer Manager DMA's packet data from PCI memory space and places it in the 8KB transmit FIFO, and pulls data from the FIFO to send to the Tx MAC. Multiple

packets may be present in the FIFO, allowing packets to be transmitted with minimum interframe gap. The way in which the FIFO is emptied and filled is controlled by the FIFO threshold values in the TXCFG register: FLTH (Tx Fill Threshold), and DRTH (Tx Drain Threshold). Additionally, once the DP83820 requests the bus, it will attempt to fill the FIFO as allowed by the MXDMA setting in the TXCFG register.

#### 3.4.2 Transmit Priority Queueing

The Tx Buffer Manager process also supports priority queueing of transmit packets. It handles this by drawing from four separate descriptor lists to fill the internal FIFO. If packets are available in the higher priority queues, they will be loaded into the FIFO before those of lower priority.

#### 3.4.3 Receive Buffer Manager

The Rx Buffer Manager uses the same buffer management scheme as used for transmits. Refer to the Buffer Management section for complete information.

The Rx Buffer Manager retrieves packet data from the Rx MAC and places it in the 32KB receive data FIFO, and pulls data from the FIFO for DMA to PCI memory space. The Rx Buffer Manager maintains a status FIFO, allowing up to 32 packets to reside in the FIFO at once. Similar to the transmit FIFO, the receive FIFO is controlled by the FIFO threshold value in RXCFG:DRTH (Rx Drain Threshold). This value determines the number of long words written into the FIFO from the MAC unit before a DMA request for system memory occurs. Once the DP83820 gets the bus, it will continue to transfer the long words from the FIFO until the data in the FIFO is less than one long word, or has reached the end of the packet, or the max DMA burst size is reached (RXCFG register:MXDMA).

#### 3.4.4 Receive Priority Queueing

The Rx Buffer Manager process also supports priority queueing of receive packets. It handles this by placing packets on up to four separate descriptor lists when emptying the internal FIFO. The Rx Buffer Manager uses information in a VLAN tag to determine packet priority.

## 3.0 Functional Description (Continued)

### 3.4.5 Packet Recognition

The Receive packet filter and recognition logic allows software to control which packets are accepted based on destination address and packet type. Address recognition logic includes support for broadcast, multicast hash, and unicast addresses. The packet recognition logic includes support for WOL, Pause, and programmable pattern recognition.

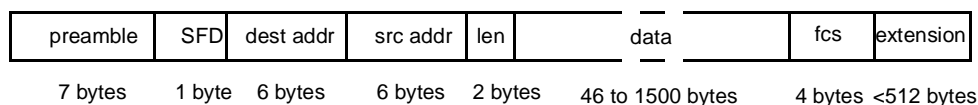
### 3.5 Ethernet Media Access Controller (MAC)

The Media Access Control (MAC) unit performs the control functions for the media access of transmitting and receiving packets. During transmission, the MAC unit handles building of frames and transmission of the frames over the interface to the physical layer device. During reception, data is received from the physical layer interface, the frame

is checked for valid reception, and the data is transferred to the receive FIFO. Control and status registers in the DP83820 govern the operation of the MAC unit.

The standard 802.3 Ethernet packet consists of the following fields: preamble, start of frame delimiter (SFD), destination address, source address, length, data, frame check sequence (FCS) and Extension (See Figure 3-8). All fields are of fixed length except for the data field and Extension. The Extension field is only used for 1000 Mb/s half-duplex operation. During reception, the preamble and SFD are stripped from the incoming packet. During transmission, the DP83820 generates and prepends the preamble and SFD. The FCS is normally appended by the DP83820, but software may disable FCS inclusion on a per-packet basis.

Figure 3-8 IEEE 802.3 Packet Structure



### 3.5.1 Full Duplex Operation

Full duplex operation is the simultaneous transmission and reception of packet data. In this mode of operation, receive activity (CRS) is ignored in the decision making process for transmission. During reception, collisions are also ignored.

To configure the DP83820 to operate in full duplex, set TXCFG:CSI and TXCFG:HBI=1, and RXCFG:RX\_FD = 1.

### 3.5.2 Full Duplex Flow Control

The DP83820 supports full duplex flow control using the MAC Control Pause Frame as defined in the 802.3 specification. The packet recognition logic can detect Pause frames, and cause the transmit MAC to pause the correct number of slot times. In addition, the MAC can be programmed to send Pause frames based on Rx FIFO thresholds.

Flow Control operation is controlled by the Pause Control/Status Register.

### 3.5.3 1000 Mb/s Operation

The DP83820 includes additional features to support 1000 Mb/s speed of operation. In this mode, the physical layer interface is increased from 4-bit MII to 8-bit GMII (or 10-bit TBI). In addition, features such as carrier extension and frame bursting are required to meet the 802.3 specification for 1000 Mb/s half-duplex operation.

## 3.6 Transmit MAC

The Transmit MAC implements the transmit portion of 802.3 Media Access Control. The Tx MAC retrieves packet data from the Tx Buffer Manager and sends it out through the transmit physical layer interface. Additionally, the Tx MAC provides MIB control information for transmit packets. The TX MAC supports 4-bit MII, 8-bit GMII, and 10-bit TBI interfaces to physical layer devices

### 3.6.1 VLAN Tag Insertion

The Tx MAC has the capability to insert a 4-byte VLAN tag in the transmit packet. If Tx VLAN Tag insertion is enabled,

the MAC will insert the 4 bytes, as specified in the VTAG register, following the source and destination addresses of the packet. The VLAN tag insertion can be enabled on a global or per-packet basis.

### 3.6.2 Carrier Extension

For 1000 Mb/s half-duplex operation it is necessary for MAC to ensure that all valid carrier events exceed a slotTime of 4096 bit times. To accomplish this, any transmit event that is shorter than the slotTime will be extended using Carrier Extension. On the GMII interface, this is signaled to the Phy by TXER asserted with TXEN deasserted and a TXD value of 0x0F.

### 3.6.3 Frame Bursting

The Tx MAC supports burst mode operation for 1000 Mb/s half-duplex operation. This allows the device to transmit a burst of packets without releasing control of the physical medium. After a successful transmission, if additional packets are available, the MAC will transmit a burst of packets without allowing the medium to go idle. It does this by inserting carrier extension between the frames. The MAC will continue to burst frames as long as additional packets are available in the internal FIFO and a burstLimit of 65536 bit times has not been exceeded.

### 3.6.4 IP Checksum Generation

The Tx MAC supports task offloading of IP, TCP, and UDP checksum generation. It can generate the checksums and insert them into the packet. The checksum generation can be enabled on a global or per-packet basis.

## 3.7 Receive MAC

This block implements the receive portion of 802.3 Media Access Control. The Rx MAC retrieves packet data from the receive portion and sends it to the Rx Buffer Manager. Additionally, the Rx MAC provides MIB control information and packet address data for the Rx Filter. The RX MAC supports 4-bit MII, 8-bit GMII, and 10-bit TBI interfaces to physical layer devices.

## 3.0 Functional Description (Continued)

### 3.7.1 VLAN Tag Handling

The Rx MAC can detect packets containing a 4-byte VLAN tag, and remove the VLAN tag from the received packet. If RX VLAN Tag removal is enabled, then the 4 bytes following the source and destination addresses will be stripped out. The VLAN status can be returned in the Receive Descriptor Extended Status field.

### 3.7.2 Carrier Extension and Packet Bursting

The Receive MAC supports reception of packets with Carrier Extension and packets transmitted using Frame Bursting for 1000 Mb/s half-duplex operation. The first frame in a burst must be at least one slotTime in length, otherwise it will be considered to be a collision fragment.

### 3.7.3 IP Checksum Verification

The Rx MAC supports IP checksum verification. It can validate IP checksums as well as TCP and UDP checksums. Packets can be discarded based on detecting checksum errors.

## 3.8 Physical Layer Interface

The DP83820 implements a physical layer interface that can support all of the following:

- Media Independent Interface (MII)
- Gigabit Media Independent Interface (GMII)
- Ten-Bit Interface (TBI)

In addition, the DP83820 implements a Management interface as defined for MII and GMII.

### 3.8.1 Media Independent Interface (MII)

The DP83820 supports 10 Mb/s and 100 Mb/s physical layer devices through the Media Independent Interface (MII) as defined in IEEE 802.3 (clause 22). The MII consists of a transmit data interface (TXEN, TXER, TXD[3:0], and TXCLK), a receive data interface (RXDV, RXER, RXD[3:0], and RXCLK), 2 status signals (CRS and COL) and a management interface (MDC and MDIO). In

this mode of operation, both Transmit and Receive clocks are supplied by the Phy.

### 3.8.2 Gigabit Media Independent Interface (GMII)

The DP83820 can support 1000 Mb/s physical layer devices through the Gigabit Media Independent Interface (GMII) as defined in IEEE 802.3 (clause 35). The GMII is extended from the MII to use 8-bit data interfaces and to operate at higher frequency. The GMII consists of a transmit data interface (TXEN, TXER, TXD[7:0], and GTXCLK), a receive data interface (RXDV, RXER, RXD[7:0], and RXCLK), 2 status signals (CRS and COL) and a management interface (MDC and MDIO). Many of the signals are shared with the MII interface. One significant difference is the Transmit clock (GTXCLK) is supplied by the DP83820 instead of the Phy. The management interface (described later) is the same in both MII and GMII modes

### 3.8.3 Ten-Bit Interface (TBI)

The TBI provides a port for transmit and receive data for interfacing to devices that support the 1000Base-X portion of the 802.3 specification. This includes 1000Base-FX fiber devices. The port consists of data paths that are 10-bits wide in each direction as well as control signals. This interface shares pins with the MII and GMII interfaces.

### 3.8.4 MII/GMII Management Interface

The MII/GMII management interface utilizes a communication protocol similar to a serial EEPROM. Signaling occurs on two signals: clock (MDC) and data (MDIO). This protocol provides capability for addressing up to 32 individual Physical Media Dependent (PMD) devices which share the same serial interface, and for addressing up to 32 16-bit read/write registers within each PMD. The MII management protocol utilizes following frame format: start bits (SB), opcode (OP), PMD address (PA), register address (RA), line turnaround (LT) and data (See Figure 3-9).

Figure 3-9 MII Management Frame Format

SB	OP	PA	RA	LT	Data
2b	2b	5b	5b	2b	16b

Note: b = bits

- Start bits are defined as <01>.
- Opcode bits are defined as <01> for a Write access and <10> for a Read access.
- PMD address is the device address.
- Register address is address of the register within that device.
- Line turnaround bits will be <10> for Write accesses and will be <xx> for Read accesses. This allows time for the MII lines to “turn around”.
- Data is the 16 bits of data that will be written to or read from the PMD device.

A reset frame is also provided and defined as 32 consecutive 1s (FFFF FFFFh). After power up, all MII PMD devices must wait for a reset frame to be received prior to participating in MII management communication. Additionally, a reset frame may be issued at any time to allow all connected PMDs to re-synchronize to the data traffic.

The MII/EEPROM Access Register (MEAR) is used to provide access to the serial MII.

Refer to Section 4.2.3 for complete details of the MEAR.

## 3.0 Functional Description (Continued)

### 3.9 EEPROM Interface

The DP83820 supports the attachment of an external EEPROM. The EEPROM interface provides the ability for the DP83820 to read from and write data to an external serial EEPROM device. Values in the external EEPROM allow default fields in PCI configuration space and I/O space to be overridden following a hardware reset. The DP83820 will "autoload" values from the EEPROM to these fields in configuration space and I/O space and perform a checksum to verify that the data is valid. If the EEPROM is not present, the DP83820 initialization uses default values for the appropriate Configuration and Operational Registers. Software can read and write to the EEPROM using "bit-bang" accesses via the MII/EEPROM Access Register (MEAR).

### 3.10 Boot ROM Interface

The BIOS ROM interface allows the DP83820 to read from and write data to an external PROM/Flash device.

### 3.11 Power Management and Wake Functions

The DP83820 is compliant with the PCI Power Management Specification v1.1. The device can be programmed to any of the powered states (D0, D1, D2, D3hot) and enabled to assert its PMEN pin through the Configuration Register PMCSR. In addition, the device will enter the D3cold state when PCI power is dropped, regardless of the programmed power state. In either D3hot or D3cold, if PMEN assertion is enabled, the device will keep the receiver alive so that it may recognize wake packets and signal the system to wake up; if PMEN assertion is not enabled, the device will go to sleep and be unable to receive packets.

The DP83820 supports several types of wake events that will signal the power management logic to assert PMEN. These are detailed in the Wake On LAN section (4.2.18.1).

In order for the device to request a system wake, at least one wake event must be configured in the Wake Command and Status Register (WCSR). If PMEN assertion is enabled and the device enters the D3cold state with no wake events enabled, the device will go to sleep.

When the device is in a power management state other than D0 (the fully alive state), the only PCI bus activity it may initiate is the assertion of PMEN. This means any packets received will remain in the receive FIFO until the device is returned to the fully alive state. Upon waking up, the wake packet is available in the receive FIFO.

In any power state, enabling PMEN assertion adds additional packet filtering: only those packet types that are configured as wake packets in WCSR will be accepted. This prevents non-wake packets from filling the receive FIFO while the device is in a low power state and preventing a wake packet from being accepted. It is expected that while in the fully alive state, PMEN assertion will be disabled to eliminate the extra level of filtering.

### 3.12 Network Management Functions

The DP83820 allows compliance with several layer management standards to allow a node to monitor overall network performance. These standards are:

- RFC 1213 (MIB II),
- RFC 1643 (Ether-like MIB), and
- IEEE 802.2 Layer Management.

Many of the counters required by these standards are easily maintained in software during normal per-packet processing. Those counters that would either be difficult or impossible for software to maintain are provided for in hardware (See Section 4.2.27). The table below outlines each required counter, the relevant standard, and how the counter should be maintained.

**Table 3-1 MIB Compliance**

Counter Name	Reference	Maintained by	Derivation
RXOctetsOK	RFC 1213, 802.3 LM	software, add cmdsts.SIZE on receive packets with cmdsts.OK bit set.	The byte count of each successfully received packet is added to this counter. The packet byte count includes the address, type, data, and FCS fields.
RXFramesOK	802.3 LM	software, increment on receive packets with cmdsts.OK bit set.	This counter is incremented for each packet successfully received (this includes broadcast, multicast, and physical address packets).
RXBroadcastPkts	RFC 1213, 802.3 LM	software, increment on receive packets with cmdsts.OK set and cmdsts.DEST set to 11.	This counter is incremented for each broadcast packet successfully received.
RXMulticastPkts	RFC 1213, 802.3 LM	software, increment on receive packets with cmdsts.OK set and cmdsts.DEST set to 10.	This counter is incremented for each multicast packet successfully received.
RXErroredPkts	RFC 1213	hardware, see MIB:RxErroredPkts.	This counter is incremented for each packet received with errors. This count includes packets which are automatically rejected from the FIFO due to both wire errors and FIFO overruns.



### 3.0 Functional Description (Continued)

RXFCSErrors	RFC 1643, 802.3 LM	hardware, see MIB:RXFCSErrors.	This counter is incremented for each packet received with a Frame Check Sequence error (bad CRC).
RXMsdPktErrors	RFC 1213, RFC 1643, 802.3 LM	hardware, see MIB:RXMsdPktErrors.	This counter is incremented for each receive aborted due to data or status FIFO overruns (insufficient buffer space).
RXFAEErrors	RFC 1643, 802.3 LM	hardware, see MIB:RXFAEErrors.	This counter is incremented for each packet received with a Frame Alignment error.
RXSymbolErrors	802.3 LM	hardware, see MIB:RXSymbolErrors	This counter is incremented for each packet received with one or more 100 Mb symbol errors detected.
RXFrameTooLong	RFC 1643, 802.3 LM	hardware, see MIB:RXFrameTooLong.	This counter is incremented for each packet received with greater than the 802.3 standard maximum length of 1518 bytes.
RXIRLErrors	802.3 LM	hardware, see MIB:RXIRLErrors.	Packets received with In Range Length errors. This counter increments for packets received with a MAC length/type value between 64 and 1518 bytes, inclusive, that does not match the number of bytes received. This counter also increments for packets with a MAC length/type field of less than 64 bytes and more than 64 bytes received.
RXBadOpcodes	802.3 LM	hardware, see MIB:RXBadOpcodes.	Packets received with a valid MAC control type and an opcode for a function that is not supported by the device
RXPauseFrames	802.3 LM	hardware, see MIB:RXPauseFrames.	MAC control Pause frames received.
TXOctetsOK	RFC 1213, 802.3 LM	software, add sum of cmdsts.SIZE (+4) on transmit packets with cmdsts.OK bit set.	The byte count of each successfully transmitted packet is added to this counter. The packet byte count includes the address, type, data, and FCS fields.
TXFramesOK	802.3 LM	software, increment on transmit packets with cmdsts.OK bit set.	This counter is incremented for each packet successfully transmitted. This count includes broadcast, multicast, and physical address packets.
TXDeferred	RFC 1643, 802.3 LM	software, increment on transmit packets with cmdsts.TD set.	This counter is incremented for each packet transmission which is deferred due to active line conditions (once per packet).
TxBroadcastPkts	RFC 1213, 802.3 LM	software, increment on transmit packets with cmdsts.OK set, and destination address set to ff-ff-ff-ff-ff	This counter is incremented for each broadcast packet successfully transmitted.
TXMulticastPkts	RFC 1213, 802.3 LM	software, increment on transmit packets with cmdsts.OK set, and LSB of first byte of destination address set.	This counter is incremented for each multicast packet successfully transmitted.
TXFrames1Coll	RFC 1643, 802.3 LM	software, increment on transmit packets with cmdsts.CCNT == 1 and cmdsts.OK set.	This counter is incremented for each packet successfully transmitted with 1 in-window collision.
TXFramesMultiColl	RFC 1643, 802.3 LM	software, increment on transmit packets with cmdsts.CCNT > 1 and cmdsts.OK set.	This counter is incremented for each packet successfully transmitted with 2-15 in-window collisions.
TXPauseFrames	802.3 LM	hardware, see MIB:TXPauseFrames.	MAC control Pause frames transmitted.

### 3.0 Functional Description (Continued)

TXPktsErrored	RFC 1213	software, increment on receive packets with cmdsts.TXA set	This counter is incremented for each packet encountering errors during transmission. This count does include transmissions aborted manually and due to FIFO underruns, but does not include packets which experience less than 16 in-window collisions.
TXExcessiveCollisions	RFC 1643, 802.3 LM	software, increment on transmit packets with cmdsts.EC set.	This counter is incremented for each transmission aborted after experiencing 16 in-window collisions.
TXExcessiveDeferral	802.3 LM	software, increment on transmit packets with cmdsts.ED set.	This counter is incremented for each transmission aborted due to a time-out of the excessive deferral timer (3.2ms).
TXOWC	RFC 1643, 802.3 LM	software, increment on transmit packets with cmdsts.OWC set.	This counter is incremented for each transmission which is aborted due to an out-of-window collision.
TXCSErrors	RFC 1643, 802.3 LM	software, increment on transmit packets with cmdsts.CRS set.	This counter is incremented for each transmission on which carrier is not detected after the start of transmission, or carrier sense is lost during transmission.
TXSQEErrors	RFC 1643	hardware, see MIB:TxSQEErrors	This counter is incremented when the collision heartbeat pulse is not detected from by the PMD after a transmission.

#### 3.13 Buffer Management

The buffer management scheme used on the DP83820 allows quick, simple and efficient use of the frame buffer memory. Frames are saved in similar formats for both transmit and receive. The buffer management scheme also uses separate buffers and descriptors for packet information. This allows effective transfers of data from the receive buffer to the transmit buffer by simply transferring the descriptor from the receive queue to the transmit queue.

The format of the descriptors allows the packets to be saved in a number of configurations. A packet can be stored in memory with a single descriptor and a single packet fragment, or multiple descriptors with single fragments. This flexibility allows the user to configure the DP83820 to maximize efficiency. Architecture of the specific system's buffer memory, as well as the nature of network traffic, will determine the most suitable configuration of packet descriptors and fragments.

#### 3.13.1 Overview

The buffer management design has the following goals:

- simplicity
- efficient use of the PCI bus (the overhead of the buffer management technique is minimal),
- low CPU utilization,
- flexibility.

Descriptors may be either per-packet or per-packet-fragment. Each descriptor may describe one packet fragment. Receive and transmit descriptors are symmetrical.

#### 3.13.2 Descriptor Format

DP83820 uses a symmetrical format for transmit and receive descriptors. In bridging and switching applications this symmetry allows software to forward packets by simply moving the list of descriptors that describe a single received packet from the receive list of one MAC to the transmit list of another. Descriptors must be aligned on a 64-bit boundary.

### 3.0 Functional Description (Continued)

**Table 3-2 DP83820 Descriptor Format**

offset	tag	description
0000h	link	32- or 64-bit "link" field to the next descriptor in the linked list. Bits 2-0 must be 0, as descriptors must be aligned on 64-bit boundaries.
0004h or 0008h	bufptr	32- or 64-bit pointer to the first fragment or buffer. In transmit descriptors, the buffer can begin on any byte boundary. In receive descriptors, the buffer must be aligned on a 64-bit boundary.
0008h or 0010h	cmdsts	32-bit Command/Status Field (bit-encoded)
000ch or 0014h	extsts	OPTIONAL 32-bit Extended Status Field. Contains VLAN and IP information.

If 64-bit addressing is enabled, the *link* and *bufptr* fields are 64-bit fields. Otherwise, they are 32-bit fields. The DP83820 supports an optional extended status field which supports VLAN and IP functions. To enable the *extsts* field, software should set the EXTSTS\_EN bit in the CFG register.

Some of the bit definitions in the *cmdsts* field are common to both receive and transmit descriptors:

**Table 3-3 cmdsts Common Bit Definitions**

bit	tag	description	usage
31	OWN	Descriptor Ownership	Set to 1 by the <i>data producer</i> of the descriptor to transfer ownership to the <i>data consumer</i> of the descriptor. Set to 0 by the <i>data consumer</i> of the descriptor to return ownership to the <i>data producer</i> of the descriptor. For transmit descriptors, the driver is the <i>data producer</i> , and the DP83820 is the <i>data consumer</i> . For receive descriptors, the DP83820 is the <i>data producer</i> , and the driver is the <i>data consumer</i> .
30	MORE	More descriptors	Set to 1 to indicate that this is NOT the last descriptor in a packet (there are MORE to follow). When 0, this descriptor is the last descriptor in a packet. Completion status bits are only valid when this bit is zero.
29	INTR	Interrupt	Set to 1 by software to request a "descriptor interrupt" when DP83820 transfers the ownership of this descriptor back to software.
28	SUPCRC INCCRC	Suppress CRC / Include CRC	In transmit descriptors, this indicates that CRC should not be appended by the MAC. On receives, this bit will be set based on the RXCFG:INCCRC bit.
27	OK	Packet OK	In the last descriptor in a packet, this bit indicates that the packet was either sent or received successfully.
26-16	---		The usage of these bits differ in receive and transmit descriptors. See below for details.
15-0	SIZE	Descriptor Byte Count	Set to the size in bytes of the data.

**Table 3-4 Transmit cmdsts Bit Definitions**

bit	tag	description	usage
26	TXA	Transmit Abort	Transmission of this packet was aborted.
25	TFU	Transmit FIFO Underrun	The transmit FIFO was exhausted during the transmission of this packet.
24	CRS	Carrier Sense Lost	Carrier was lost during the transmission of this packet. This condition is not reported if TXCFG:CSI is set.
23	TD	Transmit Deferred	Transmission of this packet was deferred.
22	ED	Excessive Deferral	The length of deferral during the transmission of this packet was excessive.
21	OWC	Out of Window Collision	The MAC encountered an "out of window" collision during the transmission of this packet.

### 3.0 Functional Description (Continued)

20	EC	Excessive Collisions	The number of collisions during the transmission of this packet was excessive, indicating transmission failure. If TXCFG register ECRETRY=0, this bit is set after 16 collisions. If TXCFG register ECRETRY=1, this bit is set after 4 Excessive Collision events (64 collisions).
19-16	CCNT	Collision Count	If TXCFG register ECRETRY=0, this field indicates the number of collisions encountered during the transmission of this packet. If TXCFG register ECRETRY=1, CCNT[3:2] = Excessive Collisions (0-3) CCNT[1] = Multiple Collisions CCNT[0] = Single Collision  Note that Excessive Collisions indicate 16 attempts failed, while Multiple Collisions and Single Collision indicate collisions in addition to any excessive collisions. For example, a collision count of 33 includes 2 Excessive Collisions and will also set the Single Collision bit.

**Table 3-5 Receive cmdsts Bit Definitions**

bit	tag	description	usage
26	RXA	Receive Aborted	Set to 1 by DP83820 when the receive was aborted. If RXO is set, then the receive was aborted due to an RX overrun. If RXO is clear, then a receive descriptor error occurred. SIZE will be set to the amount of data that was transferred to memory when the error was detected.
25	RXO	Receive Overrun	Set to 1 by DP83820 to indicate that a receive overrun condition occurred. RXA will also be set.
24-23	DEST	Destination Class	When the receive filter is enabled, these bits will indicate the destination address class as follows: 00 - Packet was rejected 01 - Destination matched the Receive Filter Node Address Register 10 - Destination is a multicast (but not broadcast) 11 - Destination is a broadcast address  If the Receive Filter is enabled, 00 indicates that the packet was rejected. Normally packets that are rejected do not cause any bus activity, nor do they consume receive descriptors. However, this condition could occur if the packet is rejected by the Receive Filter later in the packet than the receive drain threshold (RXCFG:DRTH)
22	LONG	Too Long Packet Received	The size of the receive packet exceeded 1518 bytes (1522 bytes if VLAN tag included).
21	RUNT	Runt Packet Received	The size of the receive packet was smaller than 64 bytes (including CRC).
20	ISE	Invalid Symbol Error	(100 Mb only) An invalid symbol was encountered during the reception of this packet.
19	CRCE	CRC Error	The CRC appended to the end of this packet was invalid.
18	FAE	Frame Alignment Error	The packet did not contain an integral number of octets.
17	LBP	Loopback Packet	The packet is the result of a loopback transmission.
16	IRL	In-Range Length Error	The receive packet Length/Type field did not match the length of the data field for the packet. Only valid if the Length/Type field is a valid length (not a Type value).

### 3.0 Functional Description (Continued)

**Table 3-6 Transmit extsts Bit Definitions**

bit	tag	description	usage
31-22			unused
21	UDPPKT	UDP Packet	Indicates packet contains a UDP header and enables checksum generation for the UDP header if Checksumming is enabled on a per-packet basis.
20			unused
19	TCPPKT	TCP Packet	Indicates packet contains a TCP header and enables checksum generation for the TCP header if Checksumming is enabled on a per-packet basis.
18			unused
17	IPPKT	IP Packet	Indicates packet contains a IP header and enables checksum generation for the IP header if Checksumming is enabled on a per-packet basis.
16	VPKT	VLAN Packet	Insert VLAN tag.
15-0	VTCI	VLAN Tag Control Information	This is the VLAN TCI field to be inserted in the packet if the VPKT bit is set.

**Table 3-7 Receive extsts Bit Definitions**

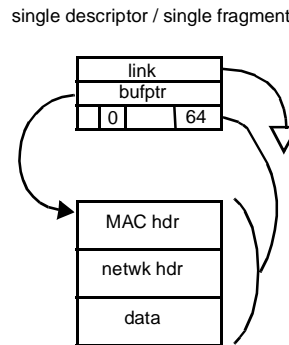
bit	tag	description	usage
31-23			unused
22	UDPERR	UDP Checksum Error	Indicates a checksum error was detected in the UDP header.
21	UDPPKT	UDP Packet	Indicates an UDP header was detected for the packet.
20	TCPERR	TCP Checksum Error	Indicates a checksum error was detected in the TCP header.
19	TCPPKT	TCP Packet	Indicates an TCP header was detected for the packet.
18	IPERR	IP Checksum Error	Indicates a checksum error was detected in the IP header.
17	IPPKT	IP Packet	Indicates an IP header was detected for the packet.
16	VPKT	VLAN Packet	Packet contained a VLAN tag. This bit will be set if VLAN packet detection is enabled and the packet contained the correct type value.
15-0	VTCI	VLAN Tag Control Information	This is the VLAN TCI field to be extracted from the packet. It contains the user_priority, CFI, and VID fields.

### 3.0 Functional Description (Continued)

#### 3.13.2.1 Single Descriptor Packets

To represent a packet in a single descriptor, the MORE bit in the `cmdsts` field is set to 0.

Figure 3-10 Single Descriptor Packets

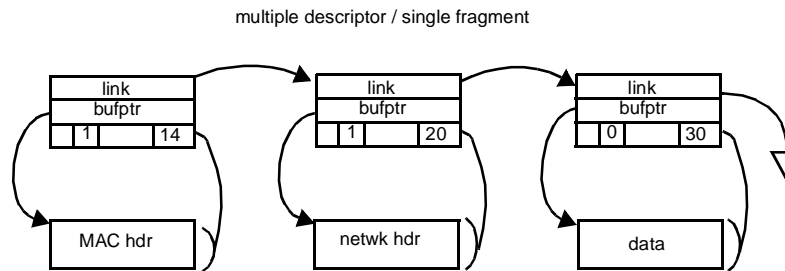


#### 3.13.2.2 Multiple Descriptor Packets

A single packet may also cross descriptor boundaries. This is indicated by setting the MORE bit in all descriptors except the last one in the packet. Ethernet inter-networking applications (bridges, switches, routers, etc.) can optimize

memory utilization by using a single small buffer per receive descriptor, and allowing the DP83820 hardware to use the minimum number of buffers necessary to store an incoming packet.

Figure 3-11 Multiple Descriptor Packets



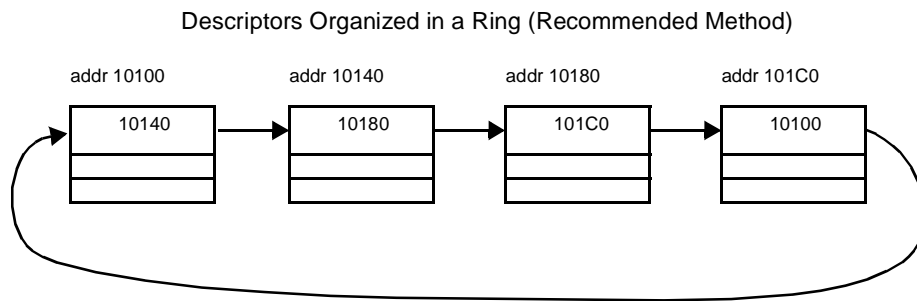
#### 3.13.2.3 Descriptor Rings

The simplest and recommended organization of descriptors is in a fixed ring implementation. At initialization, the driver can set up a fixed list of descriptors complete with links connecting the descriptors in a ring. All descriptors will initially be owned by the producer of the data (the driver for transmit, the DP83820 for receive). The OWN bit is used by both driver and the DP83820 to

indicate data availability and to release descriptors back to the producer. When using a descriptor ring, the driver should never need to modify any fields of a descriptor it does not own. For transmit, the driver should never assign all descriptors to the device, reserving one descriptor to terminate the list, preventing the device from wrapping completely around the ring.

### 3.0 Functional Description (Continued)

**Figure 3-12 Ring Descriptor Organization**

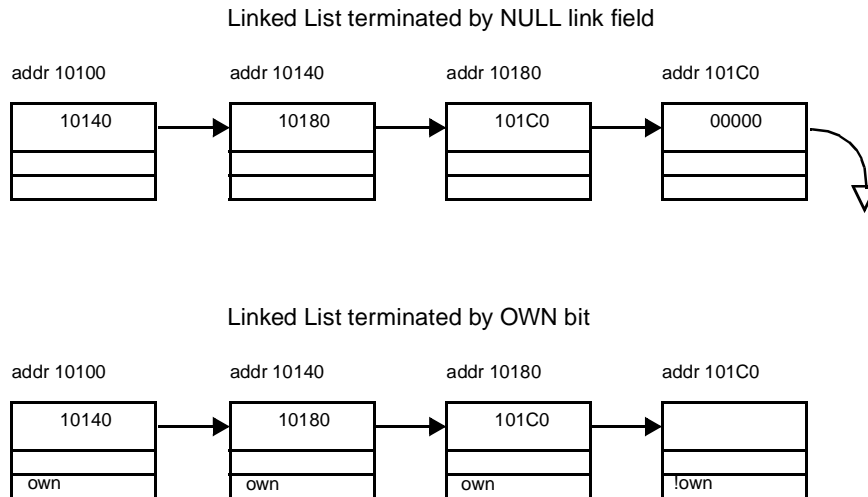


#### 3.13.2.4 Descriptor Lists

Descriptors may also be organized in linked lists using the link field. The linked list may be terminated by either a NULL link field, or by using the descriptor OWN bit. A list of descriptors may represent any number of packets or packet

fragments. Care should be used when implementing a linked list terminated by a NULL link as there is a potential for driver software and the device to get out of sync. Before clearing a link field when freeing up descriptors, the driver should verify that the device has already traversed the link.

**Figure 3-13 Linked List Descriptor Organization**



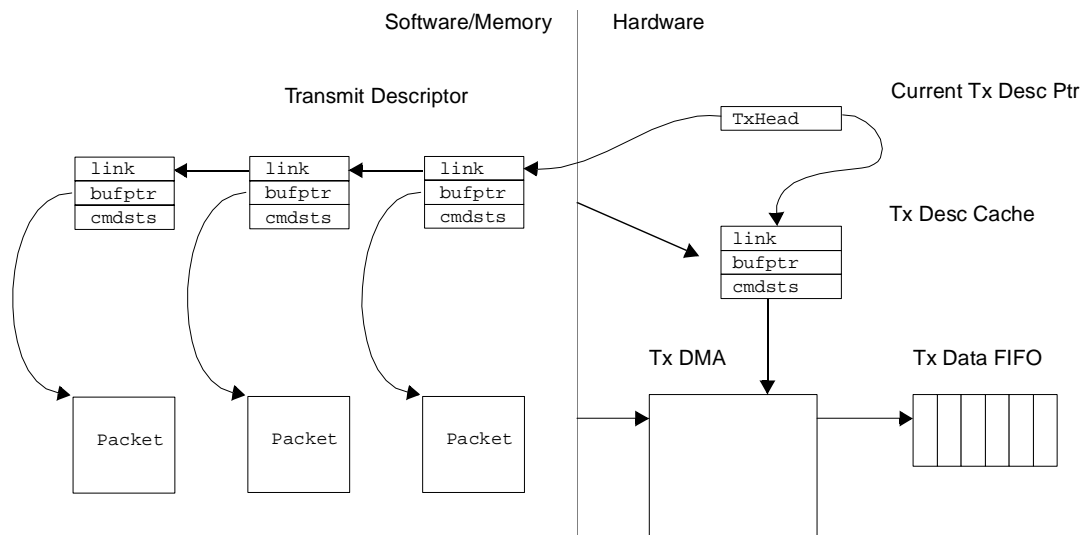
### 3.0 Functional Description (Continued)

#### 3.13.3 Transmit Architecture

The Transmit architecture can support a single transmit queue, or can support multiple transmit queues for

handling priority traffic. The following figures illustrate the transmit architecture of the DP83820 10/100 Ethernet Controller with and without Priority Queueing.

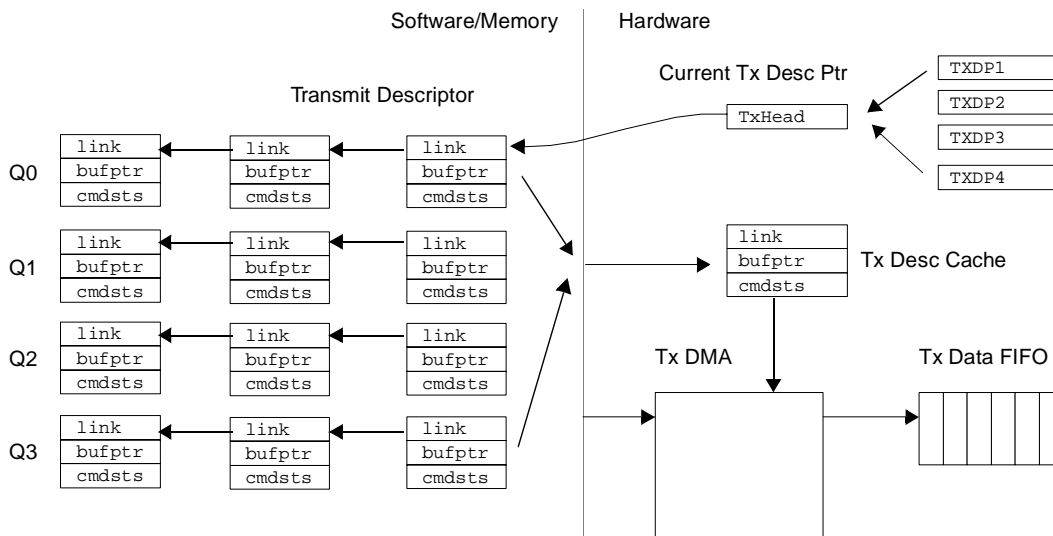
**Figure 3-14 Transmit Architecture without Priority Queueing**



Without Priority Queueing, the device will draw packets from a single Descriptor list. Only one descriptor pointer is required. When the CR:TXEN bit is set to 1 (regardless of the current state), and the DP83820 transmitter is idle, then

DP83820 will read the contents of the current transmit descriptor into the TxDescCache. The DP83820's TxDescCache can hold a single fragment pointer/count combination.

**Figure 3-15 Transmit Architecture with Priority Queueing**



With Priority Queueing, the device will draw packets from up to 4 Descriptor lists. The device has four descriptor pointers and associated control logic to keep track of when descriptors are available with valid packet information. In this case, pulsing CR:TXEN with CR:TXPRI[p] set will indicate to the DP83820 that a descriptor is available for

descriptor queue of priority 'p'. Based on the priority algorithm in use, the device will draw from the current highest priority descriptor that has packets available for transmission. There is no reordering of packets once they are queued within the internal FIFO.



### 3.0 Functional Description (Continued)

#### 3.13.3.1 Transmit State Machine

The transmit state machine has the following states:

txIdle	The transmit state machine is idle.
txDescRefr	Waiting for the "refresh" transfer of the link field of a completed descriptor from the PCI bus.
txDescRead	Waiting for the transfer of a complete descriptor from the PCI bus into the TxDescriptorCache.
txFifoBlock	Waiting for free space in the TxDataFIFO to reach TxFillThreshold.
txFragRead	Waiting for the transfer of a fragment (or portion of a fragment) from the PCI bus to the TxDataFIFO.
txDescWrite	Waiting for the completion of the write of the <code>cmdsts</code> field of an intermediate transmit descriptor ( <code>cmdsts.MORE == 1</code> ) to host memory.
txAdvance	(transitory state) Examine the link field of the current descriptor and advance to the next descriptor if link is not NULL.

The transmit state machine manipulates the following internal data spaces:

TXDP	A 32- or 64-bit register that points to the current transmit descriptor. If priority queueing is enabled, this points to the available transmit descriptor with the highest priority.
CTDD	Current Transmit Descriptor Done. An internal bit flag that is set when the current transmit descriptor has been completed, and ownership has been returned to the driver. It is cleared whenever TXDP is loaded with a new value (either by the state machine, or the driver).
TxDescCache	An internal data space equal to the size of the maximum transmit descriptor supported.
descCnt	Count of bytes remaining in the current descriptor.
fragPtr	Pointer to the next unread byte in the current fragment.
txFifoCnt	Current amount of data in the txDataFifo in bytes.
txFifoAvail	Current amount of free space in the txDataFifo in bytes (size of the txDataFifo - txFifoCnt).

Inputs to the transmit state machine include the following events:

CR:TXEN	Driver asserts the TXEN bit in the command register. If priority queueing is enabled, this corresponds to a specific priority queue.
XferDone	Completion of a PCI bus transfer request.
FifoAvail	TxFifoAvail is greater than TxFillThreshold.

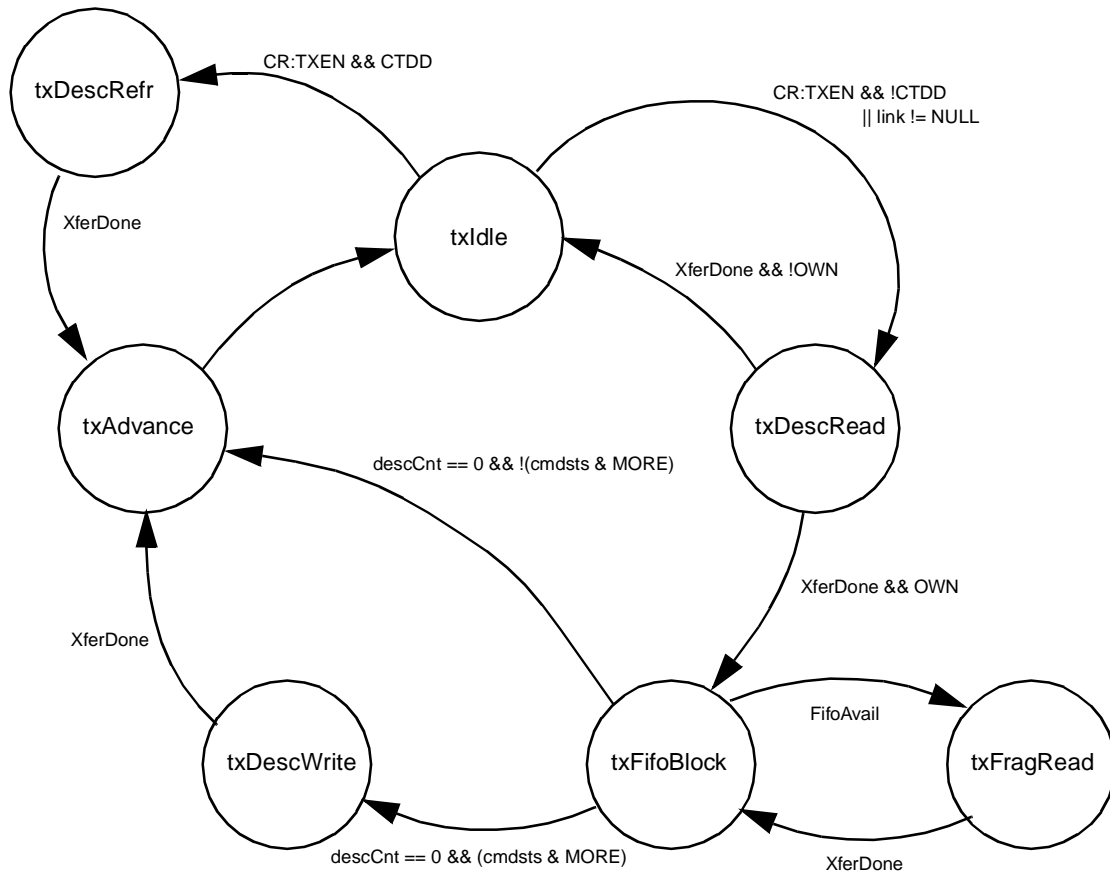
**Table 3-8 Transmit State Tables**

state	event	next state	actions
txIdle	CR:TXEN && !CTDD	txDescRead	start a burst transfer at address TXDP and a length derived from TXCFG.
	CR:TXEN && CTDD	txDescRefr	start a burst transfer to refresh the link field of the current descriptor.
txDescRefr	XferDone	txAdvance	
txDescRead	XferDone && OWN	txFIFOblock	
	XferDone && !OWN	txIdle	set ISR:TXIDLE.
txFIFOblock	FifoAvail	txFragRead	start a burst transfer into the TxDataFIFO from fragPtr. The length will be the minimum of txFifoAvail and descCnt. Decrement descCnt accordingly.
	(descCnt == 0) && MORE	txDescWrite	start a burst transfer to write the status back to the descriptor, clearing the OWN bit.
	(descCnt == 0) && !MORE	txAdvance	write the value of TXDP to the txDataFIFO as a handle.
txFragRead	XferDone	txFIFOblock	
txDescWrite	XferDone	txAdvance	

### 3.0 Functional Description (Continued)

txAdvance	link != NULL	txDescRead	TXDP <- txDescCache.link. Clear CTDD. Start a burst transfer at address TXDP with a length derived from TXCFG.
	link == NULL	txIdle	set CTDD, set ISR:TXIDLE.

Figure 3-16 Transmit State Diagram



#### 3.13.3.2 Transmit Data Flow without Priority Queueing

In the DP83820 transmit architecture without Priority Queueing, packet transmission involves the following steps:

1. The device driver receives packets from an upper layer.
2. An available DP83820 transmit descriptor is allocated. The fragment information is copied from the NOS specific data structure(s) to the next DP83820 transmit descriptor.
3. The driver adds this descriptor to its internal list of transmit descriptors awaiting transmission.
4. If the internal list was empty (this descriptor represents the only outstanding transmit packet), then the driver must set the TXDP register to the address of this descriptor, else the driver will append this descriptor to the end of the list.
5. The driver sets the TXEN bit in the CR register to insure that the transmit state machine is active.
6. If idle, the transmit state machine reads the descriptor into the TxDescriptorCache. If the OWN bit is not set, the transmit state machine returns to idle to wait for TXEN to be set again.
7. The state machine then moves through the fragment described within the descriptor, filling the TxDataFifo with data. The hardware handles all aspects of byte alignment; no alignment is assumed. Fragments may start and/or end on any byte address. The transmit state machine uses the fragment pointer and the SIZE field from the cmdsts field of the current descriptor to keep the TxDataFifo full. It also uses the MORE bit and the SIZE field from the cmdsts field of the current descriptor to know when packet boundaries occur.
8. When a packet has completed transmission (successful or unsuccessful), the state machine updates the cmdsts field of the current descriptor in main memory (by bus-mastering a single 32-bit word), relinquishing ownership, and indicating the packet completion status. If more than one descriptor

### 3.0 Functional Description (Continued)

was used to describe the packet, then completion status is updated only in the last descriptor. Intermediate descriptors only have the OWN bits modified.

9. If the link field of the descriptor is non-zero, the state machine advances to the next descriptor and continues. When reading the next descriptor, if the OWN bit is not set, the state machine will halt and wait for TXEN to be set again.
10. If the link field is NULL, the transmit state machine suspends, waiting for the TXEN bit in the CR register to be set. If the TXDP register is written to, the CTDD flag will be cleared. When the TXEN bit is set, the state machine will examine CTDD. If CTDD is set, the state machine will "refresh" the link field of the current descriptor. It will then follow the link field to any new descriptors that have been added to the end of the list. If CTDD is clear (implying that TXDP has been written to), the state machine will start by reading in the descriptor pointed to by TXDP.

#### 3.13.3.3 Transmit Data Flow with Priority Queueing

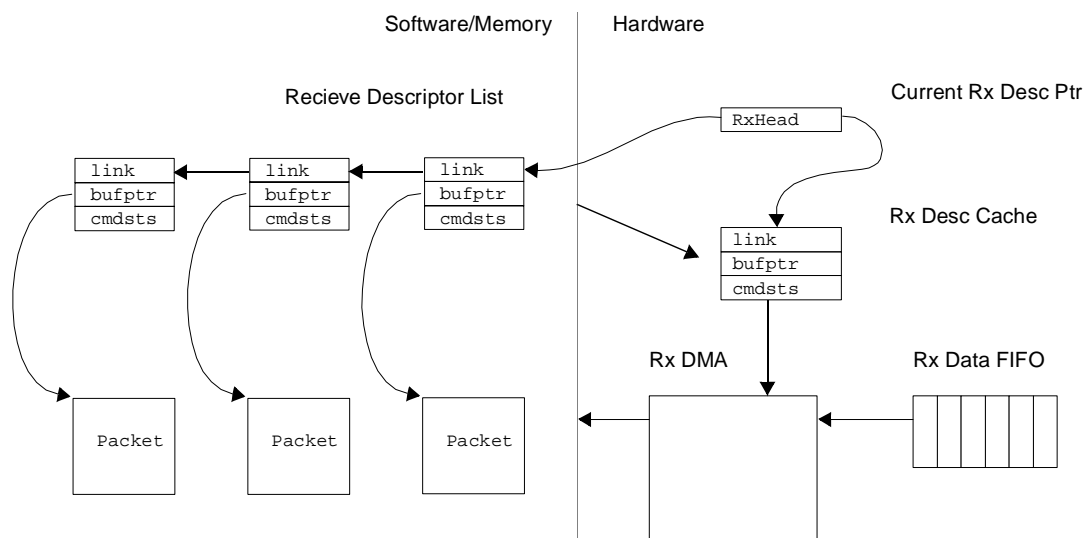
The transmit architecture with Priority Queueing is the same with a few minor differences:

- Driver keeps a separate list for each descriptor queue.
- When setting the TXEN bit, the driver must also set the appropriate TXPRI bit for the priority queue or queues to which descriptors are being appended.
- Upon completion of a packet, the transmit state machine first determines what the highest priority descriptor is available based on non-zero link fields and TXEN bits. It then follows the appropriate link or reads a new descriptor for the next packet to be transmitted.

#### 3.13.4 Receive Architecture

The receive architecture is as "symmetrical" to the transmit architecture as possible. As is done in the transmitter, the receive architecture can support a single descriptor queue or multiple descriptor queues for handling priority traffic. When the amount of receive data in the RxDataFIFO is more than the RxDrainThreshold, or the RxDataFIFO contains a complete packet, then the state machine begins filling received buffers in host memory.

**Figure 3-17 Receive Architecture without Priority Queueing**

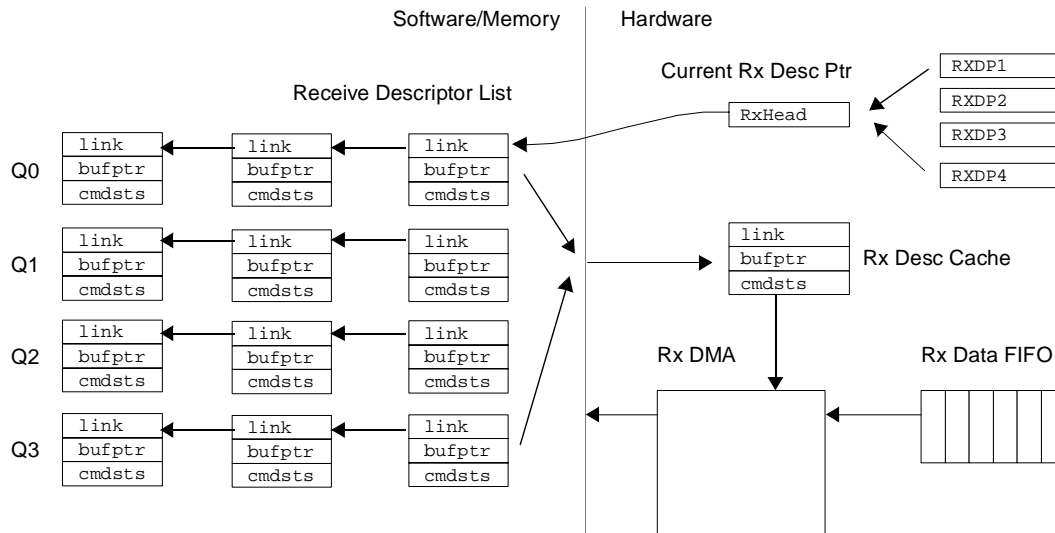


Without Priority Queueing, the device will transfer packets to a single Descriptor list. Only one descriptor pointer is required. The receive buffer manager prefetches receive descriptors to prepare for incoming packets. When the RXEN bit is set to 1 in the CR register (regardless of the current state), and the DP83820 receive state machine is idle, then DP83820 will read the contents of the descriptor

referenced by RXDP into the Rx Descriptor Cache. The Rx Descriptor Cache allows the DP83820 to read an entire descriptor in a single burst, and reduces the number of bus accesses required for fragment information to 1. The DP83820 Rx Descriptor Cache holds a single buffer pointer/count combination.

### 3.0 Functional Description (Continued)

**Figure 3-18 Receive Architecture with Priority Queueing**



With Priority Queueing, the device will transfer packets onto up to 4 Descriptor lists. The device has four descriptor pointers and associated control logic to keep track of when descriptors are available with valid packet information. The Receiver uses the user\_priority field of a VLAN tag to determine the priority, based on the 802.1Q encodings based on the number of priority queues enabled. If the

packet has no VLAN tag, then a priority of 0 is assumed. There is no reordering of packets while in the Receive Data FIFO.

#### 3.13.5 Receive State Machine

The receive state machine has the following states:

rxIdle	The receive state machine is idle.
rxDescRefr	Waiting for the "refresh" transfer of the link field of a completed descriptor from the PCI bus.
rxDescRead	Waiting for the transfer of a descriptor from the PCI bus into the RxDescCache.
rxFifoBlock	Waiting for the amount of data in the RxDataFifo to reach the RxDrainThreshold or to represent a complete packet.
rxFragWrite	Waiting for the transfer of data from the RxDataFIFO via the PCI bus to host memory.
rxDescWrite	Waiting for the completion of the write of the cmdsts field of a receive descriptor.

The receive state machine manipulates the following internal data spaces:

RXDP	A 32- or 64-bit register that points to the current receive descriptor.
CRDD	An internal bit flag that is set when the current receive descriptor has been completed, and ownership has been returned to the driver. It is cleared whenever RXDP is loaded with a new value (either by the state machine, or the driver).
RxDescCache	An internal data space equal to the size of the maximum receive descriptor supported.
descCnt	Count of bytes available for storing receive data in all of the fragments described by the current descriptor.
fragPtr	Pointer to the next unwritten byte in the current fragment.
rxPktCnt	Number of packets in the rxDataFifo. Incremented by the MAC (the fill side of the FIFO). Decremented by the receive state machine as packets are processed.
rxPktBytes	Number of bytes in the current packet being drained from the rxDataFifo, that are in fact currently in the rxDataFifo (Note: for packets larger than the FIFO size, this number will never be greater than the FIFO size).

Inputs to the receive state machine include the following events:

CR:RXEN	The RXEN bit in the Command Register has been set.
XferDone	completion of a PCI bus transfer request.

### 3.0 Functional Description (Continued)

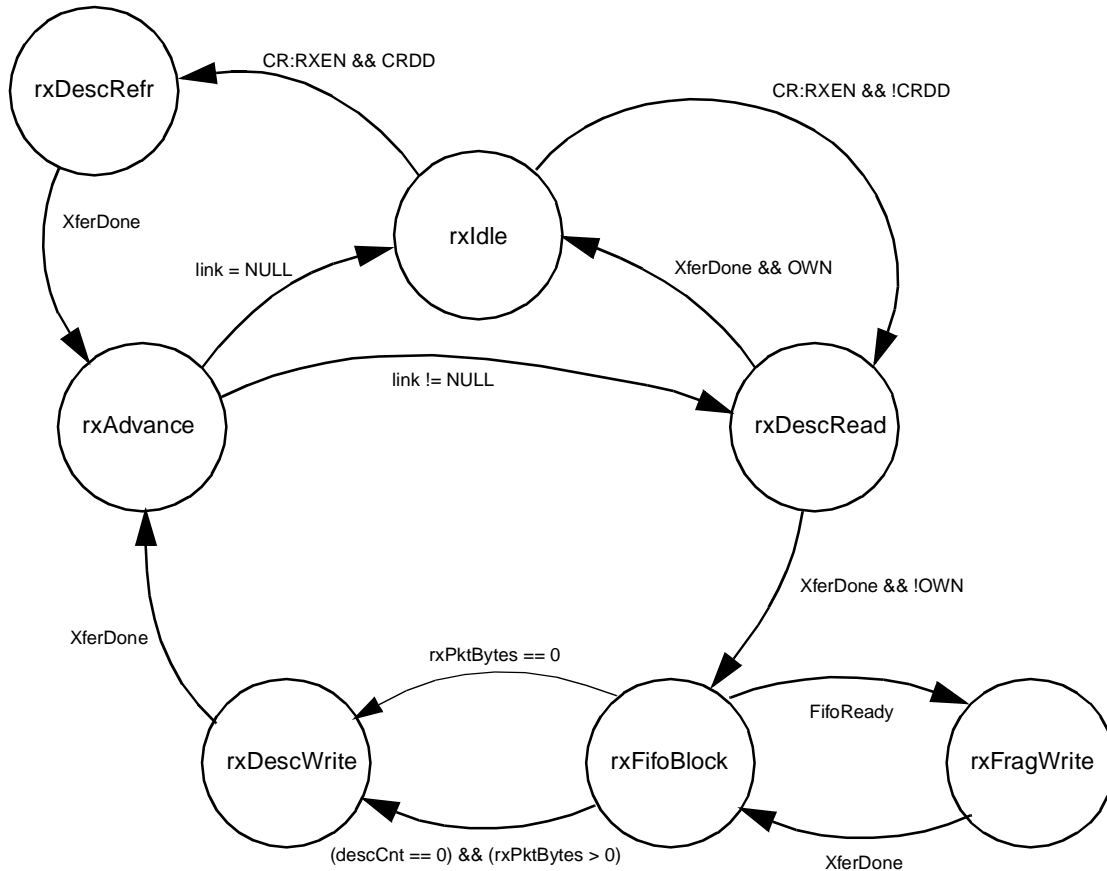
FifoReady (rxPktCnt > 0) or (rxPktBytes > rxDrainThreshold) ... in other words, if we have a complete packet in the FIFO (regardless of size), or the number of bytes that we do have is greater than the rxDrainThreshold, then we are ready to begin draining the rxDataFifo.

**Table 3-9 Receive State Tables**

state	event	next state	actions
rxIdle	CR:RXEN && !CRDD	rxDescRead	start a burst transfer at address RXDP and a length derived from RXCFG.
	CR:RXEN && CRDD	rxDescRefr	start a burst transfer to refresh the link field of the current descriptor.
rxDescRefr	XferDone	rxAdvance	
rxDescRead	XferDone && !OWN	rxFIFOblock	
	XferDone && OWN	rxIdle	set ISR:RXIDLE.
rxFIFOblock	FifoReady	rxFragWrite	start a burst transfer from the RxDataFIFO to host memory at fragPtr. The length will be the minimum of rxPktBytes and descCnt. Decrement descCnt accordingly.
	(descCnt == 0) && (rxPktBytes > 0)	rxDescWrite	start a burst transfer to write the status back to the descriptor, setting the OWN bit, and setting the MORE bit. We'll continue the packet in the next descriptor.
	rxPktBytes == 0	rxDescWrite	start a transfer to write the cmdsts back to the descriptor, setting the OWN bit and clearing the MORE bit, and filling in the final receive status (CRC, FAE, SIZE, etc.).
rxFragWrite	XferDone	rxFIFOblock	
rxDescWrite	XferDone	rxAdvance	
rxAdvance	link != NULL	rxDescRead	RXDP <- rxDescCache.link. Clear CRDD. Start a burst transfer at address RXDP with a length derived from RXCFG:MAXF.
	link == NULL	rxIdle	set CRDD. Set ISR:RXIDLE.

### 3.0 Functional Description (Continued)

Figure 3-19 Receive State Diagram



#### 3.13.5.1 Receive Data Flow without Priority Queueing

With a bus mastering architecture, some number of buffers and descriptors for received packets must be pre-allocated when the DP83820 is initialized. The number allocated will directly affect the system's tolerance to interrupt latency. The more buffers that you pre-allocate, the longer the system will survive an incoming burst without losing receive packets, if receive descriptor processing is delayed or preempted. The following describes the Receive data flow without Priority Queueing:

1. Prior to packet reception, receive buffers must be described in a receive descriptor ring (or list, if preferred). In each descriptor, the driver assigns ownership to the hardware by clearing the OWN bit. Receive descriptors may describe a single buffer.
2. The address of the first descriptor in this list is then written to the RXDP register. As packets arrive, they are placed in available buffers. A single packet may occupy one or more receive descriptors, as required by the application. The device reads in the first descriptor into the RxDescCache.

3. As data arrives in the RxDataFIFO, the receive buffer management state machine places the data in the receive buffer described by the descriptor. This continues until either the end of packet is reached, or the descriptor byte count for this descriptor is reached.
4. If end of packet was reached, the status in the descriptor (in main memory) is updated by setting the OWN bit and clearing the MORE bit, by updating the receive status bits as indicated by the MAC, and by updating the SIZE field. The status bits in `cmd.st.s` are only valid in the last descriptor of a packet (with the MORE bit clear). Also for the last descriptor of a packet, the SIZE field will be updated to reflect the actual amount of data written to the buffer (which may be less the full buffer size allocated by the descriptor).

If the receive buffer management state machine runs out of descriptors while receiving a packet, data will buffer in the receive FIFO. If the FIFO overflows, the driver will be interrupted with an RxOVR error.

### 3.0 Functional Description (Continued)

#### 3.13.5.2 Receive Data Flow with Priority Queueing

With Priority Queueing, it is still necessary to pre-allocate buffers and descriptors. Each priority queue must have a separate list of descriptors allocated. The receive data flow is similar to the above with the following exceptions:

- The Receive state machine waits until packet data is available, and the priority for the packet has been determined from a VLAN tag (assumes priority 0 if no tag is present). Using this information, the receive state machine will then process descriptors as detailed above.
- If no descriptors are available for the priority queue matching the packet priority, the state machine will wait for the system to append more descriptors to the descriptor list and pulse the CR:RXEN and CR:RXPRI controls.
- If no descriptors are available for the priority queue matching the packet priority, the state machine will wait for the system to append more descriptors to the descriptor list and pulse the CR:RXEN and CR:RXPRI controls.

## 4.0 Register Set

### 4.1 Configuration Registers

The DP83820 implements a PCI version 2.2 configuration register space. This allows a PCI BIOS to "soft" configure the DP83820. Software Reset has no effect on configuration registers. Hardware Reset returns all configuration registers to their hardware reset state. For all unused registers, writes are ignored, and reads return 0.

**Table 4-1 Configuration Register Map**

offset	tag	description	access
00h	CFGID	Configuration Identification Register	RO
04h	CFGCS	Configuration Command and Status Register	R/W
08h	CFGRID	Configuration Revision ID Register	RO
0Ch	CFGLAT	Configuration Latency Timer Register	RO
10h	CFGIOA	Configuration IO Base Address Register	R/W
14h	CFGMA	Configuration Memory Address Register	R/W
18	CFGMA1	Configuration Memory Address High Dword Register	R/W
1Ch-28h		Reserved (reads return zero)	
2Ch	CFGSID	Configuration Subsystem Identification Register	RO
30h	CFGROM	Boot ROM configuration register	R/W
34h	CAPPTR	Capabilities Pointer Register	RO
38h		Reserved (reads return zero)	
3Ch	CFGINT	Configuration Interrupt Select Register	R/W
40h	PMCAP	Power Management Capabilities Register	RO
44h	PMCS	Power Management Control and Status Register	R/W
48-FFh		Reserved (reads return zero)	

#### 4.1.1 Configuration Identification Register

This register identifies the DP83820 Controller to PCI system software.

*Tag:* CFGID                      *Size:* 32 bits                      *Hard Reset:* 0022100B  
*Offset:* 00h                      *Access:* Read Only                      *Soft Reset:* Unchanged

bit	tag	description	usage
31-16	DEVID	Device ID	This field is read-only and is set to the device ID assigned by NSC to the DP83820, which is 0022h.
15-0	VENID	Vendor ID	This field is read-only and is set to a value of 100Bh which is National Semiconductor's PCI Vendor ID.



## 4.0 Register Set (Continued)

### 4.1.2 Configuration Command and Status Register

The CFGCS register has two parts. The upper 16-bits (31-16) are devoted to device status. The lower 16-bits (15-0) are devoted to command and are used to configure and control the device.

Tag: CFGCS                      Size: 32 bits                      Hard Reset: 02900000h  
 Offset: 04h                      Access: Read Write                      Soft Reset: Unchanged

bit	tag	description	usage
31-16	STS	Status	Device Status Bits. A status bit is reset whenever the register is written, and the corresponding bit location is a 1.
31	DPERR	Detected Parity Error	Refer to the description in the PCI V2.2 specification.
30	SSERR	Signaled SERR	Refer to the description in the PCI V2.2 specification.
29	RMABT	Received Master Abort	Refer to the description in the PCI V2.2 specification.
28	RTABT	Received Target Abort	Refer to the description in the PCI V2.2 specification.
27	STABT	Sent Target Abort	Refer to the description in the PCI V2.2 specification.
26-25	DSTIM	DEVSELN Timing	This field will always be set to 01 indicating that DP83820 supports "medium" DEVSELN timing.
24	DPD	Data Parity Detected	Refer to the description in the PCI V2.2 specification.
23	FBB	Fast Back-to-Back Capable	DP83820 will set this bit to 1.
22			unused (reads return 0)
21	M66_CAP	66MHz Capable	This field indicates the device is 66MHz capable. It will be loaded from EEPROM.
20	NCPEN	New Capabilities Enable	When set, this bit indicates that the Capabilities Pointer contains a valid value and new capabilities such as power management are supported. When clear, new capabilities (CAPPTR, PMCAP, PMCS) are disabled. The value in this register will either be loaded from the EEPROM or, if the EEPROM is disabled, from a strap option at reset.
19-16		Unused	Unused (reads return 0)
15-0	CMD	Command	Device Command bits (see below).
15-10		Unused	Unused (reads return 0)
9	FBBEN	Fast Back-to-Back Enable	Set to 1 by the PCI BIOS to enable the DP83820 to do Fast Back-to-Back transfers (FBB transfers as a master is not implemented in the current revision).
8	SERREN	SERRN Enable	When set, DP83820 will generate SERRN when an address parity error is detected.
7		Unused	Unused (reads return 0)
6	PERRSP	Parity Error Response	When set, DP83820 will assert PERRN on the detection of a data parity error when acting as the target, and will sample PERRN when acting as the initiator. When reset, data parity errors are ignored. The action taken is specified by CFG: PESEL.
5		Unused	Unused (reads return 0)
4	MWIEN	Memory Write and Invalidate Enable	When set, DP83820 may use the Memory Write and Invalidate command for qualifying transfers. If 0, Memory Write will always be used instead of MWI. The DP83820 further qualifies enabling the MWI command using the MWI_DIS bit in the CFG operational register.
3		Unused	Unused (reads return 0)
2	BMEN	Bus Master Enable	When set, DP83820 is allowed to act as a PCI bus master. When reset, DP83820 is prohibited from acting as a PCI bus master.
1	MSEN	Memory Space Access	When set, DP83820 responds to memory space accesses. When reset, DP83820 ignores memory space accesses.
0	IOSEN	IO Space Access	When set, DP83820 responds to IO space accesses. When reset, DP83820 ignores IO space accesses.

## 4.0 Register Set (Continued)

### 4.1.3 Configuration Revision ID Register

This register stores the silicon revision number, revision number of software interface specification and lets the configuration software know that it is an Ethernet controller in the class of network controllers.

*Tag:* CFGRID                      *Size:* 32 bits                      *Hard Reset:* 02000000h  
*Offset:* 08h                      *Access:* Read Only                      *Soft Reset:* Unchanged

bit	tag	description	usage
31-24	BASECL	Base Class	Returns 02h which specifies a network controller.
23-16	SUBCL	Sub Class	Returns 00h which specifies an Ethernet controller.
15-8	PROGIF	Programming IF	Returns 00h which specifies the first release of the DP83820.
7-0	REVID	Silicon Revision	Returns 00h which specifies the silicon revision.

### 4.1.4 Configuration Latency Timer Register

This register gives status and controls such miscellaneous functions as BIST, Latency timer and Cache line size.

*Tag:* CFGLAT                      *Size:* 32 bits                      *Hard Reset:* 00000000h  
*Offset:* 0Ch                      *Access:* Read Write                      *Soft Reset:* Unchanged

bit	tag	description	usage
31	BISTCAP	BIST Capable	Reads will always return 0.
30	BISTEN	BIST Enable	Reads will return a 0, writes are ignored.
29-16		Reserved	Reads will return a 0, writes are ignored.
15-8	LAT	Latency Timer	Set by software to the number of PCI clocks that DP83820 may hold the PCI bus.
7-0	CLS	Cache Line Size	Set to the value of the system cache line size in dwords. Acceptable values are powers of 2 less than or equal to 128. All other values will be recognized as 0.

### DP83820 Bus Master Operations:

Based on cache line size, the DP83820 will use the following PCI commands for bus mastered transfers:

- 0110 - Mem Read                      Single dword read transfers
- 1110 - Mem Read Line                      Read More than 1 dword but not across a cacheline boundary
- 1100 - Mem Read Multiple                      Read transfers that cross a cacheline boundary
- 0111 - Mem Write                      Writes that do not exactly overwrite 1 or more cachelines
- 1111 - Mem Write Invalidate                      Writes that exactly overwrite 1 or more cachelines

## 4.0 Register Set (Continued)

### 4.1.5 Configuration IO Base Address Register

This register specifies the Base I/O address which is required to build an address map during configuration. It also specifies the number of bytes required as well as an indication that it can be mapped into I/O space.

*Tag:* CFGIOA                      *Size:* 32 bits                      *Hard Reset:* 0000001h  
*Offset:* 10h                      *Access:* Read Write                      *Soft Reset:* Unchanged

bit	tag	description	usage
31-8	IOBASE	Base IO Address	This is set by software to the base IO address for the Operational Register Map.
7-2	IOSIZE	Size indication	Read back as 0. This allows the PCI bridge to determine that the DP83820 requires 256 bytes of IO space.
1		Unused	Unused (reads return 0).
0	IOIND	IO Space Indicator	Read Only. Set to 1 by DP83820 to indicate that DP83820 is capable of being mapped into IO space.

### 4.1.6 Configuration Memory Address Register

This register specifies the Base Memory address which is required to build an address map during configuration. It also specifies the number of bytes required as well as an indication that it can be mapped into memory space.

*Tag:* CFGMA                      *Size:* 32 bits                      *Hard Reset:* 00000000h  
*Offset:* 14h                      *Access:* Read Write                      *Soft Reset:* unchanged

bit	tag	description	usage
31-12	MEMBASE	Memory Base Address	This is set by software to the base address for the Operational Register Map.
11-4	MEMSIZE	Memory Size	These bits return 0, which indicates that the DP83820 requires 4096 bytes of Memory Space (the minimum recommended allocation).
3	MEMPF	Prefetchable	Read Only. Set to 0 by DP83820.
2-1	MEMLOC	Location Selection	Read Only. Set to 10 by DP83820 if target 64-bit addressing is enabled. Set to 00 if 64-bit addressing is not enabled. 64-bit addressing capability is loaded from EEPROM at power-up and is reflected in the CFG:T64ADDR bit in operational register space.
0	MEMIND	Memory Space Indicator	Read Only. Set to 0 by DP83820 to indicate that DP83820 is capable of being mapped into memory space.

### 4.1.7 Configuration Memory Address High Dword Register

This register specifies the upper 32-bits of the Base Memory address which is required to build an address map during configuration.

*Tag:* CFGMA1                      *Size:* 32 bits                      *Hard Reset:* 00000000h  
*Offset:* 18h                      *Access:* Read Write                      *Soft Reset:* unchanged

bit	tag	description	usage
31-0	MEMBASE1	Memory Base High Address	This is set by software to the upper 32-bits of the base address for the Operational Register Map. If 64-bit addressing is disabled then this field will be read-only and always return 0.

## 4.0 Register Set (Continued)

### 4.1.8 Configuration Subsystem Identification Register

The CFGSID allows system software to distinguish between different subsystems based on the same PCI silicon. The values in this register can be loaded from the EEPROM if configuration is enabled.

*Tag:* CFGSID                      *Size:* 32 bits                      *Hard Reset:* ?  
*Offset:* 2Ch                      *Access:* Read Only                      *Soft Reset:* unchanged

bit	tag	description	usage
31-16	SDEVID	Subsystem Device ID	Loaded from the EEPROM
15-0	SVENID	Subsystem Vendor ID	Loaded from the EEPROM

### 4.1.9 Boot ROM Configuration Register

*Tag:* CFGROM                      *Size:* 32 bits                      *Hard Reset:* 00000000h  
*Offset:* 30h                      *Access:* Read Write                      *Soft Reset:* unchanged

bit	tag	description	usage
31-16	ROMBASE	ROM Base Address	Set to the base address for the boot ROM.
15-11	ROMSIZE	ROM Size	Read only. Set to 0 indicating a requirement for 64K bytes of Boot ROM space
10-1		Unused	unused (reads return 0)
0	ROMEN	ROM Enable	This is used by the PCI BIOS to enable accesses to boot ROM. This allows the DP83820 to share the address decode logic between the boot ROM and itself. The BIOS will copy the contents of the boot ROM to system RAM before executing it. Set to 1 enables the address decode for boot ROM disabling access to operational target registers.

### 4.1.10 Capabilities Pointer Register

This register stores the capabilities linked list offset into the PCI configuration space.

*Tag:* CAPPTR                      *Size:* 32 bits                      *Hard Reset:* 00000040h  
*Offset:* 34h                      *Access:* Read Only                      *Soft Reset:* unchanged

bit	tag	description	usage
31-8			unused (reads return 0)
7-0	CLOFS	Capabilities List Offset	Offset into PCI configuration space for the location of the first item in the Capabilities Linked List, set to 40h to point to the PMCAP register.

## 4.0 Register Set (Continued)

### 4.1.11 Configuration Interrupt Select Register

This register stores the interrupt line number as identified by the POST software that is connected to the interrupt controller as well as DP83820 desired settings for maximum latency and minimum grant. Max latency and Min. latency can be loaded from the EEPROM

Tag: CFGINT                      Size: 32 bits                      Hard Reset: 340b0100h  
 Offset: 3Ch                      Access: Read Write                      Soft Reset: unchanged

bit	tag	description	usage
31-24	MXLAT	Maximum Latency	The DP83820 desired setting for Max Latency. The DP83820 will initialize this field to 52d (13 usec). The value in this register can be loaded from the EEPROM.
23-16	MNGNT	Minimum Grant	The DP83820 desired setting for Minimum Grant. The DP83820 will initialize this field to 11d (2.75 usec). The value in this register can be loaded from the EEPROM.
15-8	IPIN	Interrupt Pin	Read Only, always return 0000 0001 (INTA)
7-0	ILINE	Interrupt Line	Set to which line on the interrupt controller that the DP83820's interrupt pin is connected to.

### 4.1.12 Power Management Capabilities Register

This register provides information on the capabilities of the functions related to power management. This register also contains a pointer to the next item in the capabilities list and the capability ID for Power Management. This register is only visible if CFGCS[4] is set.

Tag: PMCAP                      Size: 32 bits                      Hard Reset: FF820001  
 Offset: 40h                      Access: Read Only                      Soft Reset: unchanged

bit	tag	description	usage								
31-27	PMES	PME Support	This 5 bit field indicates the power states in which DP83820 may assert PMEN. A 1 indicates PMEN is enabled for that state, a 0 indicates PMEN is inhibited in that state.  XXXX1 - PMEN can be asserted from state D0 XXX1X - PMEN can be asserted from state D1 XX1XX - PMEN can be asserted from state D2 X1XXX - PMEN can be asserted from state D3hot 1XXXX - PMEN can be asserted from state D3cold  The DP83820 will only report PME support for D3cold if auxiliary power is detected on the 3VAUX pin, in addition this value can be loaded from the EEPROM when in the D3cold state.								
26	D2S	D2 Support	This bit is set to a 1 when the DP83820 supports the D2 state.								
25	D1S	D1 Support	This bit is set to a 1 when the DP83820 supports the D1 state.								
24-22	AUX_CURRENT	3 bit field for aux current requirement.	<b>Aux_Current</b> - This 3 bit field reports the 3.3Vaux auxiliary current requirements for the PCI function.  If PMEN generation from D3cold is not supported by the function(PMCAP[31]), this field returns a value of "000b" when read.  <table border="0"> <tr> <td><b>Bit</b></td> <td><b>3.3Vaux</b></td> </tr> <tr> <td><b>8 7 6</b></td> <td><b>Max. Current Required</b></td> </tr> <tr> <td>1 1 0</td> <td>320 mA</td> </tr> <tr> <td>0 0 0</td> <td>0 (self powered)</td> </tr> </table>	<b>Bit</b>	<b>3.3Vaux</b>	<b>8 7 6</b>	<b>Max. Current Required</b>	1 1 0	320 mA	0 0 0	0 (self powered)
<b>Bit</b>	<b>3.3Vaux</b>										
<b>8 7 6</b>	<b>Max. Current Required</b>										
1 1 0	320 mA										
0 0 0	0 (self powered)										
21	DSI	Device Specific Initialization	This bit is set to 1 to indicate to the system that initialization of the DP83820 device is required (beyond the standard PCI configuration header) before the generic class device driver is able to use it. A 1 indicates that DP83820 requires a DSI sequence following transition to the D0 uninitialized state. This bit can be loaded from the EEPROM.								

## 4.0 Register Set (Continued)

20		Reserved	Reserved (reads return 0)
19	PMEC	PME Clock	Returns 0 to indicate PCI clock not needed for PMEN.
18-16	PMV	Power Management Version	This bit field indicates compliance to a specific PM specification rev level. Currently set to 010b.
15-8	NLIPTR	Next List Item Pointer	Offset into PCI configuration space for the location of the next item in the Capabilities Linked List. Returns 00h as no other capabilities are offered.
7-0	CAPID	Capability ID	Always returns 01h for Power Management ID.

### 4.1.13 Power Management Control and Status Register

This register contains PM control and status information.

*Tag:* PMCSR                      *Size:* 32 bits                      *Hard Reset:* 00000000h  
*Offset:* 44h                      *Access:* Read Write                      *Soft Reset:* unchanged

bit	tag	description	usage
31-24			reserved (reads return 0)
23-16	BSE	Bridge Support Extensions	unused (reads return 0)
15	PMESTS	PME Status	Sticky bit which represents the state of the PME logic, regardless of the state of the PMEEN bit.
14-9	DSCALE	Data Scale	reserved (reads return 0)
8	PMEEN	PME Enable	When set to 1, this bit enables the assertion of the PME function on the PMEN pin. When 0, the PMEN pin is forced to be inactive. This value can be loaded from the EEPROM.
7-2		Reserved	unused (reads return 0)
1-0	PSTATE	Power State	This 2 bit field is used both to determine the current power state of DP83820, and to set a new power state.  00 - D0 01 - D1 10 - D2 11 - D3hot

## 4.0 Register Set (Continued)

### 4.2 Operational Registers

The DP83820 provides the following set of operational registers mapped into PCI memory space or I/O space. Writes to reserved register locations are ignored. Reads to reserved register locations return undefined values. When mapped to I/O space, a 256 byte window allows access to all the Operational Registers (00-FCh). When mapped into PCI memory space, a 4096 byte window is enabled. In addition to access to Operational Registers, the PCI Configuration Registers can be read at addresses 200-2FCh. Other addresses provide aliased access to Operational Registers or read-only PCI Configuration Registers.

**Table 4-2 Operational Register Map**

offset	tag	description	access
00h	CR	Command Register	R/W
04h	CFG	Configuration Register	R/W
08h	MEAR	EEPROM Access Register	R/W
0Ch	PTSCR	PCI Test Control Register	R/W
10h	ISR	Interrupt Status Register	RO
14h	IMR	Interrupt Mask Register	R/W
18h	IER	Interrupt Enable Register	R/W
1Ch	IHR	Interrupt Holdoff Register	R/W
20h	TXDP	Transmit Descriptor Pointer Register	R/W
24h	TXDP_HI	Transmit Descriptor Pointer High Dword Register	R/W
28h	TXCFG	Transmit Configuration Register	R/W
2Ch	GPOR	General Purpose I/O Control Register	R/W
30h	RXDP	Receive Descriptor Pointer Register	R/W
34h	RXDP_HI	Receive Descriptor Pointer High Dword Register	R/W
38h	RXCFG	Receive Configuration Register	R/W
3Ch	PQCR	Priority Queueing Control Register	R/W
40h	WCSR	Wake on LAN Control/Status Register	R/W
44h	PCR	Pause Control/Status Register	R/W
48h	RFCR	Receive Filter/Match Control Register	R/W
4Ch	RFDR	Receive Filter/Match Data Register	R/W
50h	BRAR	Boot ROM Address	R/W
54h	BRDR	Boot ROM Data	R/W
58h	SRR	Silicon Revision Register	RO
5Ch	MIBC	Management Information Base Control Register	R/W
60-88h	MIB	Management Information Base Data Registers	RO
8C-9Ch		Reserved	
A0h	TXDP1	Transmit Descriptor Pointer Priority 1 Register	R/W
A4h	TXDP2	Transmit Descriptor Pointer Priority 2 Register	R/W
A8h	TXDP3	Transmit Descriptor Pointer Priority 3 Register	R/W
ACh		Reserved	
B0h	RXDP1	Receive Descriptor Pointer Priority 1 Register	R/W
B4h	RXDP2	Receive Descriptor Pointer Priority 2 Register	R/W
B8h	RXDP3	Receive Descriptor Pointer Priority 3 Register	R/W
BCh	VRCR	VLAN/IP Receive Control Register	R/W
C0h	VTDR	VLAN/IP Transmit Control Register	R/W
C4h	VDR	VLAN Data register	R/W
C8		Reserved	

## 4.0 Register Set (Continued)

CCh	CCSR	Clockrun Control/Status Register	R/W
D0-DCh		Reserved	
E0h	TBICR	TBI Control Register	R/W
E4h	TBISR	TBI Status Register	R/W
E8h	TANAR	TBI Auto-Negotiation Advertisement Register	R/W
ECh	TANLPAR	TBI Auto-Negotiation Link Partner Ability Register	R/W
F0h	TANER	TBI Auto-Negotiation Expansion Register	R/W
F4h	TESR	TBI Extended Status Register	R/W
F8-FCh		Reserved	
100-1FCh		Alias of 00-FCh (memory mapped only)	R/W
200-2FC	Config. Registers	32-bit Read access of PCI Configuration Registers (memory mapped only)	RO
300-3FC		Alias of 200-2FC. 32-bit Read access of PCI Configuration Registers (memory mapped only)	RO

### 4.2.1 Command Register

This register is used for issuing commands to the DP83820. These commands are issued by setting the corresponding bits for the function. A global software reset along with individual reset and enable/disable for transmitter and receiver are provided here. Setting control bits to 0 has no effect, therefore there is no need for Read/modify/writes to this register.

*Tag:* CR    *Size:* 32 bits    *Hard Reset:* 00000000h  
*Offset:* 0000h    *Access:* Read Write    *Soft Reset:* 00000000h

bit	tag	description	usage
31-17			unused
16-13	RXPRI	RX Priority Queue Select	If Receive Priority Queueing is enabled, these bits indicate which queues should be enabled or disabled if the RXE or RXD bits are set during a write to this register. Bit 16 corresponds to Priority Queue 3 (highest priority), while bit 13 corresponds to Priority Queue 0 (lowest priority). Multiple queues can be enabled or disabled on a single access. If Priority Queueing is disabled, then these bits have no effect. These bits read back the enabled status for the RX Priority Queues.
12-9	TXPRI	TX Priority Queue Select	If Transmit Priority Queueing is enabled, these bits indicate which queues should be enabled or disabled if the TXE or TXD bits are set during a write to this register. Bit 12 corresponds to Priority Queue 3 (highest priority), while bit 9 corresponds to Priority Queue 0 (lowest priority). Multiple queues can be enabled or disabled on a single access. If Priority Queueing is disabled, then these bits have no effect. These bits read back the enabled status for the TX Priority Queues.
8	RST	Reset	Set to 1 to force the DP83820 to a soft reset state which disables the transmitter and receiver, reinitializes the FIFOs, and resets all affected registers to their soft reset state. This operation implies both a TXR and a RXR. This bit will read back a 1 during the reset operation, and be cleared to 0 by the hardware when the reset operation is complete.
7	SWI	Software Interrupt	Setting this bit to a 1 forces the DP83820 to generate a hardware interrupt. This interrupt is mask-able via the IMR.
6			unused
5	RXR	Receiver Reset	When set to a 1, this bit causes the current packet reception to be aborted, the receive data and status FIFOs to be flushed, and the receive state machine to enter the idle state (RXE goes to 0). This is a write-only bit and is always read back as 0.



## 4.0 Register Set (Continued)

4	TXR	Transmit Reset	When set to a 1, this bit causes the current transmission to be aborted, the transmit data and status FIFOs to be flushed, and the transmit state machine to enter the idle state (TXE goes to 0). This is a write-only bit and is always read back as 0.
3	RXD	Receiver Disable	Disable the receive state machine after any current packets in progress. When this operation has been completed the RXE bit will be cleared to 0. This is a write-only bit and is always read back as 0. If both RXD and RXE are set in the same write, the RXE will be ignored, and RXD will have precedence.
2	RXE	Receiver Enable	When set to a 1, and the receive state machine is idle, then the receive machine becomes active. This bit will read back as a 1 whenever the receive state machine is active. After initial power-up, software must insure that the receiver has completely reset before setting this bit (See ISR:RXRCMP).
1	TXD	Transmit Disable	When set to a 1, halts the transmitter after the completion of the current packet. This is a write-only bit and is always read back as 0. If both TXD and TXE are set in the same write, the TXE will be ignored, and TXD will have precedence.
0	TXE	Transmit Enable	When set to a 1, and the transmit state machine is idle, then the transmit state machine becomes active. This bit will read back as a 1 whenever the transmit state machine is active. After initial power-up, software must insure that the transmitter has completely reset before setting this bit (See ISR:TXRCMP).

### 4.2.2 Configuration and Media Status Register

This register allows configuration of a variety of device and phy options, and provides phy status information.

Tag: CFG                                      Size: 32 bits                                      Hard Reset: 00000000h  
 Offset: 0004h                                      Access: Read Write                                      Soft Reset: 00000000h

bit	tag	description	usage
31	LNKSTS	Link Status	Link status of the external phy. Asserted when link is good. RO
30-29	SPDSTS[1:0]	Speed Status	Speed status indication from the external phy. SPDSTS[1] indicates the value of the SPEED1000 input pin. SPDSTS[0] indicates the value of the SPEED100 input pin. The actual values will depend on the polarity of the signalling from the physical layer device. RO
28	DUPSTS	Full Duplex Status	Full Duplex status from the physical layer device as indicated by the GP1DUP input pin. Asserted when duplex mode is set or has negotiated to FULL. De-asserted when duplex mode has been set or negotiated to HALF. When GP1_OE is set, this shows the status of the GP1_DUP output. RO
27-25		Reserved	Reserved. RO
24	TBI_EN	Ten-Bit Interface Enable	This bit enables the Ten-Bit Interface for use with 1000 Mb/s fiber devices. When this bit is set, the MODE_1000 bit should also be set. It is loaded from EEPROM at power-up. R/W
23		Reserved	Reserved. Must be written as 0. R/W
22	MODE_1000	1000 Mb/s Mode Control	This bit will enable 1000 Mb/s mode when set. This bit is loaded from EEPROM at power-up. R/W
21		Reserved	Reserved. Must be written as 0. R/W
20-18	PINT_CTL	Phy Interrupt Control	Allows phy interrupt on changes in Phy status as follows: 1xx: change in DUPSTS x1x: change in LNKSTS xx1: change in SPDSTS Note that the phy interrupt mask in the IMR register must also be set.
17	TMRTST	Timer Test Mode	Speeds up 100us internal timer signal to 4us.

## 4.0 Register Set (Continued)

16	MRM_DIS	Memory Read Multiple Disable	This bit can be used to prevent the DP83820 from using the Memory Read Multiple and Memory Read Line commands. This bit is loaded from EEPROM at power-up. R/W
15	MWI_DIS	Memory Write and Invalidate Disable	This bit can be used to prevent the DP83820 from using the MWI command. This allows additional control for driver software which may not have access to the MWIEN bit in Configuration space. This bit is loaded from EEPROM at power-up. R/W
14	T64ADDR	Target 64-bit Addressing Enable	This read-only bit indicates the device will accept 64-bit addressing as a target. This bit is loaded from EEPROM at power-up. RO
13	PCI64_DET	PCI 64-bit Bus Detected	This status bit indicates the PCI bus was detected to be 64-bit at reset time. RO
12	DATA64_EN	64-bit Data Enable	Software can use this bit to enable 64-bit data transfers by the Transmit and Receive DMA engines. If 0, all bus master transfers will be 32-bit. This bit is loaded from EEPROM at power-up. This bit should be cleared by software if the PCI bus was not detected as 64-bit capable (PCI_64_DET = 0). R/W
11	M64ADDR	Master 64-bit Addressing Enable	Software can set this bit to enable the DMA controllers to use 64-bit addressing. When set, the link and bufptr fields in the Descriptors are assumed to be 64-bit fields. This bit does not affect the device operation as a target. This bit is loaded from EEPROM at power-up. R/W
10	PHY_RST	Reset Phy	Asserts reset to phy using the PHYRST_N pin. R/W
9	PHY_DIS	Disable Phy	Setting this bit can be used to disable an external phy by deasserting the RXEN pin. This can be used to cause a phy to tri-state its RX MII/GMII pins. R/W
8	EXTSTS_EN	Extended Status Enable	When set, the Extended Status field is enabled for Transmit and Receive Descriptors. This field contains data for supporting the VLAN and IP Checksum processing features. R/W
7	REQALG	PCI Bus Request Algorithm	Selects mode for making requests for the PCI bus. When set to 0 (default), DP83820 will use an aggressive Request scheme. When set to a 1 DP83820 will use a more conservative scheme. R/W
6	SB	Single Back-off	Setting this bit to 1, forces the transmitter back-off state machine to always back-off for a single 802.3 interframe gap time, instead of following the 802.3 random back-off algorithm. A 0 (default) allows normal transmitter back-off operation. R/W
5	POW	Program Out of Window Timer	This bit controls when the <i>Out of Window</i> collision timer begins counting its 512 bit slot time. A 0 causes the timer to start after the SFD is received. A 1 causes the timer to start after the first bit of the preamble is received. R/W
4	EXD	Excessive Deferral Abort	Setting this bit to 1 will cause the transmitter to abort transmission on an excessive deferral. R/W
3	PESEL	Parity Error Detection Action	This bit controls the assertion of SERR when a data parity error is detected while the DP83820 is acting as the bus master. When set, parity errors <b>will not</b> result in the assertion of SERR. When reset, parity errors <b>will</b> result in the assertion of SERR, indicating a system error. This bit should be set to a 1 by software if the driver can handle recovery from and reporting of data parity errors. R/W
2	BROM_DIS	Disable Boot ROM interface	When set to 1, this bit inhibits the operation of the Boot ROM interface logic. R/W
1	EXT_125	External 125MHz reference Select	When set to a 1, the 125MHz transmit clock for 1000 Mb/s mode is sourced from the REF125 pin. When set to a 0, the clock is sourced by the internal clock generator. This bit is loaded from EEPROM at power-up. R/W
0	BEM	Big Endian Mode	When set, DP83820 will perform bus-mastered data transfers in "big endian" mode. Note that access to register space is unaffected by the setting of this bit. R/W

## 4.0 Register Set (Continued)

### 4.2.3 MII/EEPROM Access Register

The MII/EEPROM Access Register provides an interface for software access to the serial management port of an external MII device or NMC9306 style EEPROM. The default values given assume that the MDIO and EEDO lines have pullup resistors to VDD.

*Tag:* MEAR                      *Size:* 32 bits                      *Hard Reset:* 00000012h  
*Offset:* 0008h                      *Access:* Read Write                      *Soft Reset:* 00000012h

bit	tag	description	usage
31-7			unused
6	MDC	MII Management Clock	Read-Write. Controls the value of the MDC pin. When set, the MDC pin is 1, when clear the MDC pin is 0.
5	MDDIR	MII Management Direction	Read-Write. Controls the direction of MDIO pin. When set, MacPhyter3V drives the current state of the MDIO bit onto the MDIO pin. When clear, the MDIO bit reflects the current state of the MDIO pin.
4	MDIO	MII Management Data	Read-Write. Provides software access to the MDIO pin (see MDDIR).
3	EESEL	EEPROM Chip Select	Controls the value of the EESEL pin. When set, the EESEL pin is 1; when clear the EESEL pin is 0. R/W
2	EECLK	EEPROM Serial Clock	Controls the value of the EECLK pin. When set, the EECLK pin is 1; when clear the EECLK pin is 0. R/W
1	EEDO	EEPROM Data Out	Returns the current state of the EEDO pin. When set, the EEDO pin is 1; when clear the EEDO pin is 0. RO
0	EEDI	EEPROM Data In	Controls the value of the EEDI pin. R/W

## 4.0 Register Set (Continued)

### 4.2.4 EEPROM Map

EEPROM Address	Configuration/Operation Register Bits	Default Value (16 bits)
0000h	CFGSID[31:16]	0000h
0001h	CFGSID[15:0]	0000h
0002h	CFGINT[31:16]	340Bh
0003h	4'h0, 2'h0, CFGCS[21], CFGCS[20], 2'h0, PMCAP[31], PMCAP[21], 3'h0, PMCSR[8]	0220h
0004h	6'h00, GPIOR[9:0]	0000h
0005h	6'h00, CFG[24:21], CFG[16:14], CFG[12:11], CFG[1]	0000h
0006h	CR[2], WCSR[10:9], WCSR[4:0], 1'h0, RFCR[31:27], RFCR[22], RFCR[19]	0000h
0007h	SOPAS[47:32]	0000h
0008h	SOPAS[31:16]	0000h
0009h	SOPAS[15:0]	0000h
000Ah	PMATCH[47:32]	0000h
000Bh	PMATCH[31:16]	0000h
000Ch	PMATCH[15:0]	0000h
000Dh	checksum value	N/A

Registers for SOPAS[47:0] and PMATCH[47:0] can be accessed directly via the combination of the RFCR (offset 0048h) and RFDR (offset 004Ch) registers as well as loaded from the EEPROM as noted here.

The lower 8 bits of the checksum value should be 55h. For the upper 8 bits, add the top 8 data bits to the lower 8 data bits for each address. Sum the resultant 8 bit values for all addresses and then add 55h. Take the 2's complement of the final sum. This 2's complement number should be the upper 8 bits of the checksum value in the last address.

As an example, consider an EEPROM with two addresses. EEPROM address 0000h contains the data 1234h. EEPROM address 0001h contains the data 5678h.

$$12h + 34h = 46h$$

$$56h + 78h = CEh$$

$$46h + CEh + 55h = 69h$$

The 2's complement of 69h is 97h so the checksum value entered into EEPROM address 0002h would be 9755h.

## 4.0 Register Set (Continued)

### 4.2.5 PCI Test Control Register

Tag: PTSCR

Size: 32 bits

Hard Reset: 00000000h

Offset: 000Ch

Access: Read Write

Soft Reset: 00000000h

bit	tag	description	usage
31-16		Reserved	Reserved
15		Reserved	Reserved. Must be written as a 0.
14		Reserved	Reserved
13	RBIST_RST	SRAM BIST Reset	Setting this bit to 1 allows the SRAM BIST engine to be reset. R/W
12-11		Reserved	Reserved
10	RBIST_EN	SRAM BIST Enable	Setting this bit to 1 starts the SRAM BIST engine. R/W
9	RBIST_DONE	SRAM BIST Done	This bit is set to 1 when the SRAM BIST completes each section. RO
8	RBIST_RX1FAIL	RX Status FIFO BIST Fail	This bit is set to 1 if the SRAM BIST detects a failure in RX Status FIFO SRAM. This bit is cleared only by resetting the BIST. RO
7	RBIST_RX0FAIL	RX Data FIFO BIST Fail	This bit is set to 1 if the SRAM BIST detects a failure in RX Data FIFO SRAM. This bit is cleared only by resetting the BIST. RO
6		Reserved	Reserved
5	RBIST_TX0FAIL	TX Data FIFO BIST Fail	This bit is set to 1 if the SRAM BIST detects a failure in TX Data FIFO SRAM. This bit is cleared only by resetting the BIST. RO
4	RBIST_HFFAIL	Hash Filter BIST Fail	This bit is set to 1 if the SRAM BIST detects a failure in the hash filter SRAM. This bit is cleared only by resetting the BIST. RO
3	RBIST_RXFAIL	RX Filter BIST Fail	This bit is set to 1 if the SRAM BIST detects a failure in the RX filter SRAM. This bit is cleared only by resetting the BIST. RO
2	EELOAD_EN	Enable EEPROM Load	This bit is set to a 1 to manually initiate a load of configuration information from EEPROM. A 1 is returned while the configuration load from EEPROM is active. R/W
1	EEBIST_EN	Enable EEPROM BIST	This bit is set to a 1 to initiate EEPROM BIST, which verifies the EEPROM data and checksum without reloading configuration values to the device. A 1 is returned while the EEPROM BIST is active. R/W
0	EEBIST_FAIL	EE BIST Fail indication	This bit is set to a 1 upon completion of the EEPROM BIST (EEBIST_EN returns 0) if the BIST logic encountered an invalid checksum. RO

### 4.2.6 Interrupt Status Register

This register indicates the source of an interrupt when the INTA pin goes active. Enabling the corresponding bits in the Interrupt Mask Register (IMR) allows bits in this register to produce an interrupt. When an interrupt is active, one or more bits in this register are set to a "1". The Interrupt Status Register reflects all current pending interrupts, regardless of the state of the corresponding mask bit in the IMR. Reading the ISR clears all interrupts. Writing to the ISR has no effect.

Tag: ISR

Size: 32 bits

Hard Reset: 00608000h

Offset: 0010h

Access: Read Only

Soft Reset: 00608000h

bit	tag	description	usage
31		Reserved	Reserved
30	TXDESC3	Tx Descriptor for Priority Queue 3	This event is signaled after a transmit descriptor with the INTR bit set in the CMDSTS field has been updated.
29	TXDESC2	Tx Descriptor for Priority Queue 2	This event is signaled after a transmit descriptor with the INTR bit set in the CMDSTS field has been updated.
28	TXDESC1	Tx Descriptor for Priority Queue 1	This event is signaled after a transmit descriptor with the INTR bit set in the CMDSTS field has been updated.
27	TXDESC0	Tx Descriptor for Priority Queue 0	This event is signaled after a transmit descriptor with the INTR bit set in the CMDSTS field has been updated.

## 4.0 Register Set (Continued)

26	RXDESC3	Rx Descriptor for Priority Queue 3	This event is signaled after a receive descriptor with the INTR bit set in the CMDSTS field has been updated.
25	RXDESC2	Rx Descriptor for Priority Queue 2	This event is signaled after a receive descriptor with the INTR bit set in the CMDSTS field has been updated.
24	RXDESC1	Rx Descriptor for Priority Queue 1	This event is signaled after a receive descriptor with the INTR bit set in the CMDSTS field has been updated.
23	RXDESC0	Rx Descriptor for Priority Queue 0	This event is signaled after a receive descriptor with the INTR bit set in the CMDSTS field has been updated.
22	TXRCMP	Transmit Reset Complete	Indicates that a requested transmit reset operation is complete.
21	RXRCMP	Receive Reset Complete	Indicates that a requested receive reset operation is complete.
20	DPERR	Detected Parity Error	This bit is set whenever CFGCS:DPERR is set, but cleared (like all other ISR bits) when the ISR register is read.
19	SSERR	Signaled System Error	The DP83820 signaled a system error on the PCI bus.
18	RMABT	Received Master Abort	The DP83820 received a master abort generated as a result of target not responding.
17	RTABT	Received Target Abort	The DP83820 received a target abort on the PCI bus.
16	RXSOVR	Rx Status FIFO Overrun	Set when an overrun condition occurs on the Rx Status FIFO.
15	HIBINT	High Bits Interrupt Set	A logical OR of bits 22-16
14	PHY	Phy interrupt	Set to 1 when interrupt is generated due to change in phy status.
13	PME	Power Management Event	Set when WOL conditioned detected
12	SWI	Software Interrupt	Set whenever the SWI bit in the CR register is set.
11	MIB	MIB Service	Set when one of the enabled management statistics has reached its interrupt threshold.
10	TXURN	Tx Underrun	Set when a transmit data FIFO underrun condition occurs.
9	TXIDLE	Tx Idle	This event is signaled when the transmit state machine enters the idle state from a non-idle state. This will happen whenever the state machine encounters an "end-of-list" condition (NULL link field or a descriptor with OWN clear).
8	TXERR	Tx Packet Error	This event is signaled after the last transmit descriptor in a failed transmission attempt has been updated with valid status.
7	TXDESC	Tx Descriptor	This event is signaled after a transmit descriptor with the INTR bit set in the CMDSTS field has been updated. If priority queueing is enabled, this bit will be set when any of the TXDESC0-3 bits are set.
6	TXOK	Tx Packet OK	This event is signaled after the last transmit descriptor in a successful transmission attempt has been updated with valid status
5	RXORN	Rx Overrun	Set when a receive data FIFO overrun condition occurs.
4	RXIDLE	Rx Idle	This event is signaled when the receive state machine enters the idle state from a running state. This will happen whenever the state machine encounters an "end-of-list" condition (NULL link field or a descriptor with OWN set).
3	RXEARLY	Rx Early Threshold	Indicates that the initial Rx Drain Threshold has been met by the incoming packet, and the transfer of the number of bytes specified by the DRTH field in the RXCFG register has been completed by the receive DMA engine. This interrupt condition will occur only once per packet.
2	RXERR	Rx Packet Error	This event is signaled after the last receive descriptor in a failed packet reception has been updated with valid status.
1	RXDESC	Rx Descriptor	This event is signaled after a receive descriptor with the INTR bit set in the CMDSTS field has been updated. If priority queueing is enabled, this bit will be set when any of the RXDESC0-3 bits are set.
0	RXOK	Rx OK	Set by the receive state machine following the update of the last receive descriptor in a good packet.

## 4.0 Register Set (Continued)

### 4.2.7 Interrupt Mask Register

This register masks the interrupts that can be generated from the ISR. Writing a “1” to the bit enables the corresponding interrupt. During a hardware reset, all mask bits are cleared. Setting a mask bit allows the corresponding bit in the ISR to cause an interrupt. ISR bits are always set to 1, however, if the condition is present, regardless of the state of the corresponding mask bit.

Tag: IMR  
Offset: 0014h

Size: 32 bits  
Access: Read Write

Hard Reset: 00000000h  
Soft Reset: 00000000h

bit	tag	description	usage
31			unused
30	TXDESC3	Tx Descriptor for Priority Queue 3	When this bit is 3, the corresponding bit in the ISR will not cause an interrupt.
29	TXDESC2	Tx Descriptor for Priority Queue 2	When this bit is 2, the corresponding bit in the ISR will not cause an interrupt.
28	TXDESC1	Tx Descriptor for Priority Queue 1	When this bit is 1, the corresponding bit in the ISR will not cause an interrupt.
27	TXDESC0	Tx Descriptor for Priority Queue 0	When this bit is 0, the corresponding bit in the ISR will not cause an interrupt.
26	RXDESC3	Rx Descriptor for Priority Queue 3	When this bit is 3, the corresponding bit in the ISR will not cause an interrupt.
25	RXDESC2	Rx Descriptor for Priority Queue 2	When this bit is 2, the corresponding bit in the ISR will not cause an interrupt.
24	RXDESC1	Rx Descriptor for Priority Queue 1	When this bit is 1, the corresponding bit in the ISR will not cause an interrupt.
23	RXDESC0	Rx Descriptor for Priority Queue 0	When this bit is 0, the corresponding bit in the ISR will not cause an interrupt.
22	TXRCMP	Transmit Reset Complete	When this bit is 0, the corresponding bit in the ISR will not cause an interrupt.
21	RXRCMP	Receive Reset Complete	When this bit is 0, the corresponding bit in the ISR will not cause an interrupt.
20	DPERR	Detected Parity Error	When this bit is 0, the corresponding bit in the ISR will not cause an interrupt.
19	SSERR	Signaled System Error	When this bit is 0, the corresponding bit in the ISR will not cause an interrupt.
18	RMABT	Received Master Abort	When this bit is 0, the corresponding bit in the ISR will not cause an interrupt.
17	RTABT	Received Target Abort	When this bit is 0, the corresponding bit in the ISR will not cause an interrupt.
16	RXSOVR	Rx Status FIFO Overrun	When this bit is 0, the corresponding bit in the ISR will not cause an interrupt.
15	HIBINT	High Bits Interrupt	When this bit is 0, the corresponding bit in the ISR will not cause an interrupt.
14	PHY	Phy interrupt	When this bit is 0, the corresponding bit in the ISR will not cause an interrupt.
13	PME	Power Management Event	When this bit is 0, the corresponding bit in the ISR will not cause an interrupt.
12	SWI	Software Interrupt	When this bit is 0, the corresponding bit in the ISR will not cause an interrupt.
11	MIB	MIB Service	When this bit is 0, the corresponding bit in the ISR will not cause an interrupt.
10	TXURN	Tx Underrun	When this bit is 0, the corresponding bit in the ISR will not cause an interrupt.
9	TXIDLE	Tx Idle	When this bit is 0, the corresponding bit in the ISR will not cause an interrupt.
8	TXERR	Tx Packet Error	When this bit is 0, the corresponding bit in the ISR will not cause an interrupt.
7	TXDESC	Tx Descriptor	When this bit is 0, the corresponding bit in the ISR will not cause an interrupt.
6	TXOK	Tx Packet OK	When this bit is 0, the corresponding bit in the ISR will not cause an interrupt.
5	RXORN	Rx Overrun	When this bit is 0, the corresponding bit in the ISR will not cause an interrupt.
4	RXIDLE	Rx Idle	When this bit is 0, the corresponding bit in the ISR will not cause an interrupt.
3	RXEARLY	Rx Early Threshold	When this bit is 0, the corresponding bit in the ISR will not cause an interrupt.
2	RXERR	Rx Packet Error	When this bit is 0, the corresponding bit in the ISR will not cause an interrupt.
1	RXDESC	Rx Descriptor	When this bit is 0, the corresponding bit in the ISR will not cause an interrupt.
0	RXOK	Rx OK	When this bit is 0, the corresponding bit in the ISR will not cause an interrupt.

## 4.0 Register Set (Continued)

### 4.2.8 Interrupt Enable Register

The Interrupt Enable Register controls the hardware INTR signal.

*Tag:* IER

*Size:* 32 bits

*Hard Reset:* 00000000h

*Offset:* 0018h

*Access:* Read Write

*Soft Reset:* 00000000h

bit	tag	description	usage
31-1			unused
0	IE	Interrupt Enable	When set to 1, the hardware INTR signal is enabled. When set to 0, the hardware INTR signal will be masked, and no interrupts will be generated. The setting of this bit has no effect on the ISR or IMR. This provides the ability to disable the hardware interrupt to the host with a single access (eliminating the need for a read-modify-write cycle). The actual enabling of interrupts can be delayed based on the Interrupt Holdoff Register defined in the following section.

### 4.2.9 Interrupt Holdoff Register

The Interrupt Holdoff Register prevents interrupt assertion for a programmed amount of time.

*Tag:* IHR

*Size:* 32 bits

*Hard Reset:* 00000000h

*Offset:* 001Ch

*Access:* Read Write

*Soft Reset:* 00000000h

bit	tag	description	usage
31-9			unused
8	IHCTL	Interrupt Holdoff Control	If this bit is set, the interrupt holdoff will restart when the first interrupt condition occurs and interrupts are enabled. When this bit is not set, the interrupt holdoff will start as soon as the counter is loaded and interrupts are enabled.
7-0	IH	Interrupt Holdoff	This register contains a counter value for use in preventing interrupt assertion for a programmed amount of time. When the ISR is read, the interrupt holdoff timer is loaded with this value. It begins to count down to 0 based on the setting of the IHCTL bit. Once it reaches 0, interrupts will be enabled. The counter value is in units of 100us.

### 4.2.10 Transmit Descriptor Pointer Register

This register points to the current Transmit Descriptor. If Transmit Priority Queueing is enabled, this becomes the Descriptor pointer for Priority Queue 0 (lowest priority).

*Tag:* TXDP

*Size:* 32 bits

*Hard Reset:* 00000000h

*Offset:* 0020h

*Access:* Read Write

*Soft Reset:* 00000000h

bit	tag	description	usage
31-3	TXDP	Transmit Descriptor Pointer	The current value of the transmit descriptor pointer. When the transmit state machine is idle, software must set TXDP to the address of a completed transmit descriptor. While the transmit state machine is active, TXDP will follow the state machine as it advances through a linked list of active descriptors. If the link field of the current transmit descriptor is NULL (signifying the end of the list), TXDP will not advance, but will remain on the current descriptor. Any subsequent writes to the TXE bit of the CR register will cause the transmit state machine to reread the link field of the current descriptor to check for new descriptors that may have been appended to the end of the list. Transmit descriptors must be aligned on an even 64-bit boundary in host memory (A2-A0 must be 0).
2-0			unused



## 4.0 Register Set (Continued)

### 4.2.11 Transmit Descriptor Pointer High Dword Register

This register points to the upper 32-bits of the current Transmit Descriptor for 64-bit addressing. If Transmit Priority Queueing is enabled, this becomes the Descriptor pointer for all priority queues.

Tag: TXDP\_HI                      Size: 32 bits                      Hard Reset: 00000000h  
 Offset: 0024h                      Access: Read Write                      Soft Reset: 00000000h

bit	tag	description	usage
31-0	TXDP_HI	Transmit Descriptor Pointer High Dword	If 64-bit addressing is enabled, this will be used as the upper 32-bits of the current transmit descriptor pointer.

### 4.2.12 Transmit Configuration Register

This register defines the Transmit Configuration for DP83820. It controls such functions as Loopback, Heartbeat, Auto Transmit Padding, programmable Interframe Gap, Fill & Drain Thresholds, and maximum DMA burst size.

Tag: TXCFG                      Size: 32 bits                      Hard Reset: 00000120  
 Offset: 0028h                      Access: Read Write                      Soft Reset: 00000120

bit	tag	description	usage
31	CSI	Carrier Sense Ignore	Setting this bit to 1 causes the transmitter to ignore carrier sense activity, which inhibits reporting of CRS status to the transmit status register, and inhibits logging of TXCSErrors in the MIB counter block. When this bit is 0 (default), the transmitter will monitor the CRS signal during transmission and reflect valid status in the transmit status register and MIB counter block. This bit must be set to enable full-duplex operation.
30	HBI	HeartBeat Ignore	Setting this bit to 1 causes the transmitter to ignore the heartbeat (CD) pulse which follows the packet transmission and inhibits logging of TXSQEErrors in the MIB counter block. When this bit is set to 0 (default), the transmitter will monitor the heartbeat pulse and log TXSQEErrors to the MIB counter block. This bit must be set to enable full-duplex operation
29	MLB	MAC Loopback	Setting this bit to a 1 places the DP83820 MAC into a loopback state which routes all transmit traffic to the receiver, and disables the transmit and receive interfaces of the MII. A 0 in this bit allows normal MAC operation. The transmitter and receiver must be disabled before enabling the loopback mode. (Packets received during MLB mode will reflect loopback status in the receive descriptor's cmdsts.LBP field.)
28	ATP	Automatic Transmit Padding	Setting this bit to 1 causes the MAC to automatically pad small (runt) transmit packets to the Ethernet minimum size of 64 bytes. This allows driver software to transfer only actual packet data. Setting this bit to 0 disables the automatic padding function, forcing software to control runt padding.
27-24			unused
23	ECRETRY	Excessive Collision Retry Enable	This bit enables automatic retries of excessive collisions. If set, the transmitter will retry the packet up to 4 excessive collision counts, for a total of 64 attempts. If the packet still does not complete successfully, then the transmission will be aborted after the 64th attempt. If this bit is not set, then the transmission will be aborted after the 16th attempt. Note that setting this bit will change how collisions are reported in the status field of the transmit descriptor.

## 4.0 Register Set (Continued)

22-20	MXDMA	Max DMA Burst Size per Tx DMA Burst	This field sets the maximum size of transmit DMA data bursts according to the following table: 000 = 256 32-bit words (1024 bytes) 001 = 2 32-bit words (8 bytes) 010 = 4 32-bit words (16 bytes) 011 = 8 32-bit words (32 bytes) 100 = 16 32-bit words (64 bytes) 101 = 32 32-bit words (128 bytes) 110 = 64 32-bit words (256 bytes) 111 = 128 32-bit word (512 bytes)
19	BRST_DIS	1000 Mb/s Burst Disable	This bit can disable transmit bursting for 1000 Mb/s half-duplex operation. The bit will have no affect 10/100 Mb/s or full-duplex modes.
18-16			unused
15-8	FLTH	Tx Fill Threshold	Specifies the fill threshold in units of 32 bytes. When the number of available bytes in the transmit FIFO reaches this level, the transmit bus master state machine will be allowed to request the PCI bus for transmit packet fragment reads. A value of 0 in this field will produce unexpected results and must not be used.
7-0	DRTH	Tx Drain Threshold	Specifies the drain threshold in units of 32 bytes. When the number of bytes in the FIFO reaches this level (or the FIFO contains at least one complete packet) the MAC transmit state machine will begin the transmission of a packet. NOTE: In order to prevent a deadlock condition from occurring, the transmit drain threshold should never be set higher than the (txFIFOsize - TXCFG:FLTH). A value of 0 in this field will prevent draining of the packet until the complete packet has been loaded into the FIFO.

### 4.2.13 General Purpose I/O Control Register

This register allows configuration of the General Purpose I/O pins. Note that these pins are especially useful when interfacing to a Ten-Bit Interface Phy Device.

Tag: GPIOR                      Size: 32 bits                      Hard Reset: 00000000h  
Offset: 002Ch                      Access: Read Write                      Soft Reset: 00000000h

bit	tag	description	usage
31-15			unused
14	GP5_IN	General Purpose Pin 5 Input Value	Input value from the GP5 pin. When GP5_OE is a 1, this should reflect the value of GP5_OUT. RO
13	GP4_IN	General Purpose Pin 4 Input Value	Input value from the GP4 pin. When GP4_OE is a 1, this should reflect the value of GP4_OUT. RO
12	GP3_IN	General Purpose Pin 3 Input Value	Input value from the GP3 pin. When GP3_OE is a 1, this should reflect the value of GP3_OUT. RO
11	GP2_IN	General Purpose Pin 2 Input Value	Input value from the GP2 pin. When GP2_OE is a 1, this should reflect the value of GP2_OUT. RO
10	GP1_IN	General Purpose Pin 1 Input Value	Input value from the GP1 pin. When GP1_OE is a 1, this should reflect the value of GP1_OUT. RO
9	GP5_OE	General Purpose Pin 5 Output Enable	Enables the GP5 pin for use as an output. This bit is loaded from EEPROM at power-up. R/W
8	GP4_OE	General Purpose Pin 4 Output Enable	Enables the GP4 pin for use as an output. This bit is loaded from EEPROM at power-up. R/W
7	GP3_OE	General Purpose Pin 3 Output Enable	Enables the GP3 pin for use as an output. This bit is loaded from EEPROM at power-up. R/W
6	GP2_OE	General Purpose Pin 2 Output Enable	Enables the GP2 pin for use as an output. This bit is loaded from EEPROM at power-up. R/W

## 4.0 Register Set (Continued)

5	GP1_OE	General Purpose Pin 1 Output Enable	Enables the GP1 pin for use as an output. This bit is loaded from EEPROM at power-up. R/W
4	GP5_OUT	General Purpose Pin 5 Output Value	Controls the output value on the GP5_DUP pin if the GP5_OE bit is set. This bit is loaded from EEPROM at power-up. R/W
3	GP4_OUT	General Purpose Pin 4 Output Value	Controls the output value on the GP4 pin if the GP4_OE bit is set. This bit is loaded from EEPROM at power-up.
2	GP3_OUT	General Purpose Pin 3 Output Value	Controls the output value on the GP3 pin if the GP3_OE bit is set. This bit is loaded from EEPROM at power-up. R/W
1	GP2_OUT	General Purpose Pin 2 Output Value	Controls the output value on the GP2 pin if the GP2_OE bit is set. This bit is loaded from EEPROM at power-up.
0	GP1_OUT	General Purpose Pin 1	Controls the output value on the GP1 pin if the GP1_OE bit is set. This bit is loaded from EEPROM at power-up. R/W

### 4.2.14 Receive Descriptor Pointer Register

This register points to the current Receive Descriptor.

*Tag:* RXDP                      *Size:* 32 bits                      *Hard Reset:* 00000000h  
*Offset:* 0030h                      *Access:* Read Write                      *Soft Reset:* 00000000h

bit	tag	description	usage
31-3	RXDP	Receive Descriptor Pointer	The current value of the receive descriptor pointer. When the receive state machine is idle, software must set RXDP to the address of an available receive descriptor. While the receive state machine is active, RXDP will follow the state machine as it advances through a linked list of available descriptors. If the link field of the current receive descriptor is NULL (signifying the end of the list), RXDP will not advance, but will remain on the current descriptor. Any subsequent writes to the RXE bit of the CR register will cause the receive state machine to reread the link field of the current descriptor to check for new descriptors that may have been appended to the end of the list. Software should not write to this register unless the receive state machine is idle. Receive descriptors must be aligned on 64-bit boundaries (A2-A0 must be zero). A 0 written to RXDP followed by a subsequent write to RXE will cause the receiver to enter silent RX mode, for use during WOL. In this mode packets will be received and buffered in FIFO, but no DMA to system memory will occur. The packet data may be recovered from the FIFO by writing a valid descriptor address to RXDP and then strobing RXE.
2-0			unused

### 4.2.15 Receive Descriptor Pointer High Dword Register

This register points to the upper 32-bits of the current Receive Descriptor for 64-bit addressing. If Receive Priority Queueing is enabled, this becomes the Descriptor pointer for all priority queues.

*Tag:* RXDP\_HI                      *Size:* 32 bits                      *Hard Reset:* 00000000h  
*Offset:* 0034h                      *Access:* Read Write                      *Soft Reset:* 00000000h

bit	tag	description	usage
31-0	RXDP_HI	Receive Descriptor Pointer High Dword	If 64-bit addressing is enabled, this will be used as the upper 32-bits of the current receive descriptor pointer.

## 4.0 Register Set (Continued)

### 4.2.16 Receive Configuration Register

This register is used to set the receive configuration for DP83820. Receive properties such as accepting error packets, runt packets, setting the receive drain threshold etc. are controlled here

Tag: RXCFG                      Size: 32 bits                      Hard Reset: 0000004h  
 Offset: 0038h                      Access: Read Write                      Soft Reset: 0000004h

bit	tag	description	usage
31	AEP	Accept Errored Packets	When set to 1, all packets with CRC or alignment errors will be accepted. When set to 0, all packets with CRC or alignment errors will be rejected if possible. Note that depending on the type of error, some packets may be received with errors, regardless of the setting of AEP. These errors will be indicated in the CMDSTS field of the last descriptor in the packet.
30	ARP	Accept Runt Packets	When set to 1, all packets under 64 bytes in length without errors are accepted. When this bit is 0, all packets less than 64 bytes in length will be rejected if possible.
29	STRIPCRC	Strip CRC	When set to a 1, the CRC will be stripped from the receive packet and the byte count adjusted appropriately.
28	RX_FD	Receive Full Duplex	When set to 1, data received simultaneously to a local transmission (such as during a PMD loopback or full duplex operation) will be accepted as valid received data. When set to 0 (default), all data received simultaneous to a local transmit will be rejected. This bit must be set to 1 for PMD loopback and full duplex operation.
27	ALP	Accept Long Packets	When set to 1, all packets > 1518 bytes in length and <= 65527 bytes will be treated as normal receive packets, and will not be tagged as long or error packets. All packets > 65527 bytes in length will be truncated at 65528 bytes and either rejected from the FIFO, or tagged as long packets. Care must be taken when accepting long packets to ensure that buffers provided are of adequate length. When ALP is set to 0, packets larger than 1518 bytes (CRC inclusive) will be truncated at 1514 bytes, and rejected if possible.
26	AIRL	Accept In-Range Length Errored Packets	When set to 1, packets with Length/Type fields that do not match the data length of the packet will be accepted. When set to 0, packets with Length/Type fields that do not match the data length of the packet will be rejected. In-Range Length checking only occurs if the Length/Type field is a valid length.
25-23			unused
22-20	MXDMA	Max DMA Burst Size per Rx DMA Burst	This field sets the maximum size of receive DMA data bursts according to the following table: 000 = 256 32-bit words (1024 bytes) 001 = 2 32-bit words (8 bytes) 010 = 4 32-bit words (16 bytes) 011 = 8 32-bit words (32 bytes) 100 = 16 32-bit words (64 bytes) 101 = 32 32-bit words (128 bytes) 110 = 64 32-bit words (256 bytes) 111 = 128 32-bit word (512 bytes)
19-6			unused

## 4.0 Register Set (Continued)

5-1	DRTH	Rx Drain Threshold	<p>Specifies the drain threshold in units of 8 bytes. When the number of bytes in the receive FIFO reaches this value (times 8), or the FIFO contains a complete packet, the receive bus master state machine will begin the transfer of data from the FIFO to host memory. Care must be taken when setting DRTH to a value lower than the number of bytes needed to determine if packet should be accepted or rejected. In this case, the packet might be rejected after the bus master operation to begin transferring the packet into memory has begun. When this occurs, neither the OK bit or any error status bit in the descriptor's cmdsts will be set. A value of 0 prevents draining of the packet until it is completely received.</p> <p>This value is also used to compare with the accumulated packet length for early receive indication. When the accumulated packet length meets or exceeds the DRTH value, the RXEARLY interrupt condition is generated. A value of 0 prevents the RXEARLY interrupt.</p>
0			unused.

### 4.2.17 Priority Queueing Control Register

This register allows control of Priority Queueing features.

*Tag:* PQCR                                      *Size:* 32 bits                                      *Hard Reset:* 00000000h  
*Offset:* 003Ch                                      *Access:* Read Write                                      *Soft Reset:* 00000000h

bit	tag	description	usage
31-4			unused
3-2	RXPQ	Receive Priority Queue Enable	<p>This 2-bit field is used to enable Receive Priority Queueing. The number of priority queues is determined by the following encoding:</p> <p>00 - Disabled (one queue)            01 - Two queues (0,1)            10 - Three queues (0,1,2)            11 - Four queues (0,1,2,3)</p> <p>Packets are queued to the priority queues based on the VLAN user_priority field in the VLAN tag. Any packet without a VLAN tag will be assumed to be priority 0.</p>
1	TXFAIR	Transmit Fairness Enable	<p>Enables fairness in the transmit priority queueing process. If set, the transmitter will implement a rotating priority scheme so all queues get fair access. The highest priority for the current descriptor selection is always one less than the previous priority. If the last packet was priority 2, then the priority scheme is 1,0,3,2 from highest to lowest. If no descriptors are available, the fairness algorithm will be reset such that priority 3 is highest priority. If this bit is not set, then priority queue 3 will always have the highest priority.</p>
0	TXPQEN	Transmit Priority Queueing Enable	<p>Enables the transmit priority queueing feature. If this bit is set, the transmit DMA engine will select between the available priority queues for transmit data. The priority queues can be enabled individually using the Command Register (CR) TXE and TXPRI bits. If this bit is not set, then only the lowest priority queue (TXDP) is enabled, and the TXPRI bits have no function.</p>

## 4.0 Register Set (Continued)

### 4.2.18 Wake Command/Status Register

The WCSR register is used to configure/control and monitor the DP83820 Wake On LAN logic. The Wake On LAN logic is used to monitor the incoming packet stream while in a low-power state, and provide a wake event to the system if the desired packet type, contents, or Link change are detected.

Tag: WCSR                                      Size: 32 bits                                      Hard Reset: 00000000h  
 Offset: 0040h                                      Access: Read Write                                      Soft Reset: 00000000h

bit	tag	description	usage
31	MPR	Magic Packet Received	Set to 1 if a Magic Packet has been detected and the WKMAG bit is set. RO, cleared on read.
30	PATM3	Pattern 3 match	Associated bit set to 1 if a pattern 3 match is detected and the WKPAT3 bit is set. RO, cleared on read.
29	PATM2	Pattern 2 match	Associated bit set to 1 if a pattern 2 match is detected and the WKPAT2 bit is set. RO, cleared on read.
28	PATM1	Pattern 1 match	Associated bit set to 1 if a pattern 1 match is detected and the WKPAT1 bit is set. RO, cleared on read.
27	PATM0	Pattern 0 match	Associated bit set to 1 if a pattern 0 match is detected and the WKPAT0 bit is set. RO, cleared on read.
26	ARPR	ARP Received	Set to 1 if an ARP packet has been detected and the WKARP bit is set. RO, cleared on read.
25	BCASTR	Broadcast Received	Set to 1 if a broadcast packet has been detected and the WKBCP bit is set. RO, cleared on read.
24	MCASTR	Multicast Received	Set to 1 if a multicast packet has been detected and the WKMCP bit is set. RO, cleared on read.
23	UCASTR	Unicast Received	Set to 1 if a unicast packet has been detected the WKUCP bit is set. RO, cleared on read.
22	PHYINT	Phy Interrupt	Set to 1 if a Phy interrupt was detected and the WKPHY bit is set. RO, cleared on read.
21	SOHACK	SecureOn Hack Attempt	Set to 1 if the MPSOE and WKMAG bits are set, and a Magic Packet is received with an invalid SecureOn password value. RO, cleared on read.
20-11			unused - returns 0
10	MPSOE	Magic Pkt SecureOn Enable	Enable Magic packet SecureOn feature. Only applicable when bit 8 is set. R/W
9	WKMAG	Wake on Magic Packet	Enable wake on Magic Packet detection. R/W
8	WKPAT3	Wake on Pattern 3 match	Enable wake on match of pattern 3. R/W
7	WKPAT2	Wake on Pattern 2 match	Enable wake on match of pattern 2. R/W
6	WKPAT1	Wake on Pattern 1 match	Enable wake on match of pattern 1. R/W
5	WKPAT0	Wake on Pattern 0 match	Enable wake on match of pattern 0. R/W
4	WKARP	Wake on ARP	Enable wake on ARP packet detection. R/W
3	WKBCP	Wake on Broadcast	Enable wake on broadcast packet detection. R/W
2	WKMCP	Wake on Multicast	Enable wake on multicast packet detection. R/W
1	WKUCP	Wake on Unicast	Enable wake on unicast packet detection. R/W
0	WKPHY	Wake on Phy Interrupt	Enable wake on Phy Interrupt. The Phy interrupt can be programmed for Link Change and a variety of other Physical Layer events. R/W

Note: Magic Packet is a trademark of Advanced Micro Devices, Inc.

## 4.0 Register Set (Continued)

### 4.2.18.1 Wake on LAN

The Wake on LAN logic provides several mechanisms for bringing the DP83820 out of a low-power state. Wake on ARP, Wake on Broadcast, Wake on Multicast Hash and Wake on Phy Interrupt are enabled by setting the corresponding bit in the Wake Command/Status Register, WCSR. Before the hardware is programmed to a low power state, the software must write a null receive descriptor pointer to the Receive Descriptor Pointer Register (RXDP) to ensure wake packets will be buffered in the RX fifo. Please refer to the description of the RXDP register for this procedure.

When a qualifying packet is received, the Wake on LAN logic generates a Wake event and asserts the PMEN PCI signal to request a Power Management state change. The software must then bring the hardware out of low power mode and, if the Power Management state was D3, reinitialize Configuration Register space. A Wake interrupt can also be generated which alerts the software that a Wake event has occurred and a packet was received. The software must then write a valid receive descriptor pointer

to RXDP. The incoming packet can then be transferred into host memory for processing. Note that the wake packet is retained for processing - this is a feature of the DP83820. In addition to the above Wake on LAN features, DP83820 also provides Wake on Pattern Matching, Wake on DA match and Wake on Magic Packet with SecureOn.

### 4.2.18.2 Wake on Pattern Matching

Wake on Pattern Matching is an extension of the Pattern Matching feature provided by the Receive Filter Logic. When one or more of the Wake on Pattern Match bits are set in the WCSR, a packet will generate a wake event if it matches the associated pattern buffer. The pattern count and the pattern buffer memory are accessed in the same way as in Pattern Matching for packet acceptance. The minimum pattern count is 2 bytes and the maximum pattern count is 128 bytes for all patterns. Packets are compared on a byte by byte basis and bytes may be masked in pattern memory, thus allowing for don't cares. Please refer to the Receive Filter section for programming examples

### 4.2.19 Pause Control/Status Register

The PCR register is used to control and monitor the DP83820 Pause Frame reception and transmission. The Pause Frame reception Logic is used to accept 802.3x Pause Frames, extract the pause length value, and initiate a TX MAC pause interval of the specified number of slot times. The Pause Frame transmission logic is used to generate and transmit Pause Frames to cause the far-end station to pause. Pause frames can be sent by manual control or by programmed thresholds for the RX Data and Status FIFOs. The thresholds provide a flexible method of issuing initial pause frames based on available space falling below the thresholds, as well as sending pause frames to cancel an active pause interval when available space rises above the upper thresholds. Note that the thresholds are based on space available in the FIFOs rather than space used. The transmitted Pause Frame is a Mac Control frame which contains the following data:

DA (destination address): Pause multicast address of 01-80-C2-00-00-01

SA (source address): Set to station's address as specified in Receive Filter Perfect Match Register

Length/Type: Mac Control Frame Type (88-08)

Mac Control Opcode: Pause frame (00-01)

Pause Length field: Programmable in PAUSE\_CNT when PLEN\_SEL=0.

<i>Tag:</i> PCR	<i>Size:</i> 32 bits	<i>Hard Reset:</i> 00000000h
<i>Offset:</i> 0044h	<i>Access:</i> Read Write	<i>Soft Reset:</i> 00000000h

bit	tag	description	usage
31	PSEN	Pause Enable	Manually enables reception of 802.3x pause frames This bit is ORed with the PSNEG bit to enable pause reception. If pause reception has been enabled via PSEN bit (PSEN=1), setting this bit to 0 will cause any active pause interval to be terminated. R/W
30	PS_MCAST	Pause on Multicast	When set to 1, this bit enables reception of 802.3x pause frames which use the 802.3x designated multicast address in the DA (01-80-C2-00-00-01). When this mode is enabled, the RX filter logic performs a perfect match on the above multicast address. The pause frame will be filtered out (not buffered to memory) unless the RX Filter logic is also programmed to accept this address. R/W
29	PS_DA	Pause on DA	When set to 1, this bit enables detection of a pause frame based on a DA match with either the perfect match register, or one of the pattern match buffers. R/W
28	PS_ACT	Pause Active	This bit is set to a 1 when the TX MAC logic is actively timing a pause interval. RO
27	PS_RCVD	Pause Frame Received	This bit is set to a 1 when a pause frame has been received. This bit will remain set until cleared by a read of this register. RO, cleared on read.

## 4.0 Register Set (Continued)

26			unused - returns 0
25-24	PS_STHI	RX Stat FIFO Hi Threshold	<p>Status FIFO Threshold for initiating a pause frame with a length field of 0. This allows termination of an active pause interval when the status FIFO has enough space available. The following encoding determines when a length 0 pause frame will be sent:</p> <p>00: Disabled            01: 2 or more packets available            10: 4 or more packets available            11: 8 or more packets available</p> <p>This value, if enabled, should always be equal to or greater than the low threshold (PS_STLO). When disabling the high threshold, the PS_FFHI field should also be set to disabled.</p>
23-22	PS_STLO	RX Stat FIFO Lo Threshold	<p>Status FIFO Threshold for initiating a pause frame. Upon reception of a valid packet, a pause frame will be transmitted if space remaining in the status FIFO is less than the threshold value. The encoding is as follows:</p> <p>00: Disabled            01: Less than 2 packets available            10: Less than 4 packets available            11: Less than 8 packets available</p>
21-20	PS_FFHI	RX Data FIFO Hi Threshold	<p>Data FIFO Threshold for initiating a pause frame with a length field of 0. This allows termination of an active pause interval when the data FIFO has enough space available. The following encoding determines when a length 0 pause frame will be sent:</p> <p>00: Disabled            01: 2K or more bytes available            10: 4K or more bytes available            11: 8K or more bytes available</p> <p>This value, if enabled, should always be equal to or greater than the low threshold (PS_FFLO). When disabling the high threshold, the PS_STHI field should also be set to disabled.</p>
19-18	PS_FFLO	RX Data FIFO Lo Threshold	<p>Data FIFO Threshold for initiating a pause frame. Upon reception of a valid packet, a pause frame will be transmitted if space remaining in the data FIFO is less than the threshold value. The encoding is as follows:</p> <p>00: Disabled            01: Less than 2K bytes available            10: Less than 4K bytes available            11: Less than 8K bytes available</p>
17	PS_TX	Transmit Pause Frame	This is a manual method of sending a pause frame. This bit will remain set until the pause frame is transmitted. R/W
16		Reserved	Reserved. R/W
15-0	PAUSE_CNT	Pause Counter Value	Pause Length field which will be sent in a Transmit Pause frame. R/W



## 4.0 Register Set (Continued)

### 4.2.20 Receive Filter/Match Control Register

The RFCR register is used to control and configure the DP83820 Receive Filter Control logic. The Receive Filter Control Logic is used to configure destination address filtering of incoming packets.

Tag: RFCR

Size: 32 bits

Hard Reset: 00000000h

Offset: 0048h

Access: Read Write

Soft Reset: 00000000h

bit	tag	description	usage
31	RFEN	Rx Filter Enable	When this bit is set to 1, the Rx Filter is enabled to qualify incoming packets. When set to a 0, receive packet filtering is disabled (i.e. all receive packets are rejected). This bit must be 0 for the other bits in this register to be configured.
30	AAB	Accept All Broadcast	When set to a 1, this bit causes all broadcast address packets to be accepted. When set to 0, no broadcast address packets will be accepted.
29	AAM	Accept All Multicast	When set to a 1, this bit causes all multicast address packets to be accepted. When set to 0, multicast destination addresses must have the appropriate bit set in the multicast hash table mask in order for the packet to be accepted.
28	AAU	Accept All Unicast	When set to a 1, this bit causes all unicast address packets to be accepted. When set to 0, the destination address must match the node address value specified through some other means in order for the packet to be accepted.
27	APM	Accept on Perfect Match	When set to 1, this bit allows the perfect match register to be used to compare against the DA for packet acceptance. When this bit is 0, the perfect match register contents will not be used for DA comparison.
26-23	APAT	Accept on Pattern Match	When one or more of these bits is set to 1, a packet will be accepted if the first n bytes (n is the value defined in the associated pattern count register) match the associated pattern buffer memory contents. When a bit is set to 0, the associated pattern buffer will not be used for packet acceptance.
22	AARP	Accept ARP Packets	When set to 1, this bit allows all ARP packets (packets with a TYPE/LEN field set to 0806h) to be accepted, regardless of the DA value. When set to 0, ARP packets are treated as normal packets and must meet other DA match criteria for acceptance.
21	MHEN	Multicast Hash Enable	When set to 1, this bit allows hash table comparison for multicast addresses, i.e. a hash table hit for a multicast addressed packet will be accepted. When set to 0, multicast hash hits will not be used for packet acceptance.
20	UHEN	Unicast Hash Enable	When set to 1, this bit allows hash table comparison for unicast addresses, i.e. a hash table hit for a unicast addressed packet will be accepted. When set to 0, unicast hash hits will not be used for packet acceptance.
19	ULM	U/L bit Mask	When set to 1, this bit will cause the U/L bit (2nd MSb) of the DA to be ignored during comparison with the perfect match register.
18-10			unused - returns 0

## 4.0 Register Set (Continued)

9-0	RFADDR	Receive Filter Extended Register Address	<p>Selects which internal receive filter register is accessible via RFDR:</p> <p>Perfect Match Register (PMATCH)</p> <p>000h - PMATCH octets 1-0</p> <p>002h - PMATCH octets 3-2</p> <p>004h - PMATCH octets 5-4</p> <p>Pattern Count Registers (PCOUNT)</p> <p>006h - PCOUNT1, PCOUNT0</p> <p>008h - PCOUNT3, PCOUNT2</p> <p>SecureOn Password Register (SOPAS)</p> <p>00Ah - SOPAS octets 1-0</p> <p>00Ch - SOPAS octets 3-2</p> <p>00Eh - SOPAS octets 5-4</p> <p>Filter Memory</p> <p>100h-3FEh - Rx filter memory (Hash table/pattern buffers)</p>
-----	--------	--	---

### 4.2.21 Receive Filter/Match Data Register

The RFDR register is used for reading from and writing to the internal receive filter registers, the pattern buffer memory, and the hash table memory.

*Tag:* RFDR                      *Size:* 32 bits                      *Hard Reset:* 00000000h  
*Offset:* 004Ch                      *Access:* Read Write                      *Soft Reset:* 00000000h

bit	tag	description	usage
31-18			unused
17-16	BMASK	Byte mask	Used as byte mask values for pattern match template data.
15-0	RFDATA	Receive Filter Data	

## 4.0 Register Set (Continued)

### 4.2.22 Receive Filter Logic

The Receive Filter Logic supports a variety of techniques for qualifying incoming packets. The most basic filtering options include Accept All Broadcast, Accept All Multicast and Accept All Unicast packets. These options are enabled by setting the corresponding bit in the Receive Filter Control Register, RFCR. Accept on Perfect Match, Accept on Pattern Match, Accept on Multicast Hash and Accept on Unicast Hash are more robust in their filtering capabilities, but require additional programming of the Receive Filter registers and the internal filter RAM.

#### 4.2.22.1 Accept on Perfect Match

When enabled, the Perfect Match Register is used to compare against the DA for packet acceptance. The Perfect Match Register is a 6-byte register accessed indirectly through the RFCR. The address of the internal receive filter register to be accessed is programmed through bits 9:0 of the RFCR. The Receive Filter Data Register, RFDR, is used for reading/writing the actual data.

RX Filter Address: 000h - Perfect match octets 1-0  
002h - Perfect Match octets 3-2  
004h - Perfect Match octets 5-4

Octet 0 of the Perfect Match Register corresponds to the first octet of the packet as it appears on the wire. Octet 5 corresponds to the last octet of the DA as it appears on the wire.

The following steps are required to program the RFCR to accept packets on a perfect match of the DA.

Example: Destination Address of 08-00-17-07-28-55

```
iow | $RFCR (0000)perfect match register, octets 1-0
iow | $RFDR (0008)write address, octets 1-0
iow | $RFCR (0002)perfect match register, octets 3-2
iow | $RFDR (0717)write address, octets 3-2
iow | $RFCR (0004)perfect match register, octets 5-4
iow | $RFDR (5528)write address, octets 5-4
iow | $RFDR (0606)
```

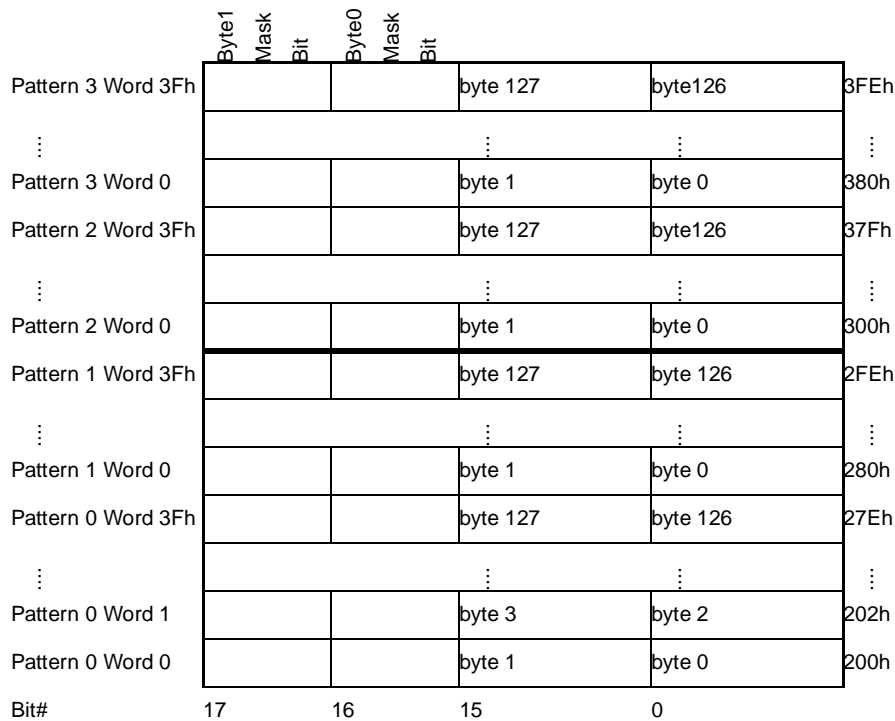
(\$RFEN|\$APM) -enable filtering, perfect match

#### 4.2.22.2 Accept on Pattern Match

The Receive Filter Logic provides access to 4 separate internal RAM-based pattern buffers to be used as additional perfect match address registers. All pattern buffers are 128 bytes deep, allowing perfect match on the first 128 bytes of a packet.

When one or more of the Pattern Match enable bits are set in the RFCR, a packet will be accepted if it matches the associated pattern buffer. As indicated above, the pattern buffers are 128 bytes deep organized as 64 words, where a word is 18 bits. Bits 17 and 18 of a respective word are mask bits for byte 0 and byte 1 of the 16-bit data word (bits 15:0). An incoming packet is compared to each enabled pattern buffer on a byte by byte basis for a specified count. Masking a pattern byte results in a byte match regardless of its value (a don't care). A count value must be programmed for each pattern buffer to be used for comparison. The minimum valid count is 1 byte and the maximum valid count is 128 for all pattern buffers. The pattern count registers are internal receive filter registers accessed through the RFCR and the RFDR. The Receive Filter memory is also accessed through the RFCR and the RFDR. A memory map of the internal pattern RAM is shown in Figure 4-1.

## 4.0 Register Set (Continued)



**Figure 4-1 Pattern Buffer Memory -100h words (word=18bits)**

Example: Pattern match on the following destination addresses:

02-00-03-01-04-02	match 6 bytes
12-10-13-11-14-12	match 4 bytes
22-20-23-21-24-22	match 6 bytes
32-30-33-31-34-32	match 4 bytes

# write data pattern into buffer 2

```
iowrite | RFCR (300)
iowrite | RFDR (2022)
iowrite | RFCR (302)
iowrite | RFDR (2123)
iowrite | RFCR (304)
iowrite | RFDR (2224)
```

RFDR = (IO base + 48h)  
RFDR = (IO base + 4Ch))

# write counts

```
iowrite | RFCR (0006) # pattern count registers 1, 0
iowrite | RFDR (0406) # count 1 = 4, count 0 = 6
iowrite | RFCR (0008) # pattern count registers 3, 2
iowrite | RFDR (0406) # count 3 = 4, count 2 = 6
```

# write data pattern into buffer 3

```
iowrite | RFCR (380)
iowrite | RFDR (3032)
iowrite | RFCR (382)
iowrite | RFDR (3133)
iowrite | RFCR (384)
iowrite | RFDR (3234)
```

# write data pattern into buffer 0

```
iowrite | RFCR (200)
iowrite | RFDR (0002)
iowrite | RFCR (202)
iowrite | RFDR (0103)
iowrite | RFCR (204)
iowrite | RFDR (0204)
```

#enable receive filter on all patterns

```
iowrite | RFCR (RFEN | APAT3 | APAT2 | APAT1 | APAT0)
```

# write data pattern into buffer 1

```
iowrite | RFCR (280)
iowrite | RFDR (1012)
iowrite | RFCR (282)
iowrite | RFDR (1113)
iowrite | RFCR (284)
iowrite | RFDR (1214)
```

Example of how to mask out a byte in a pattern:

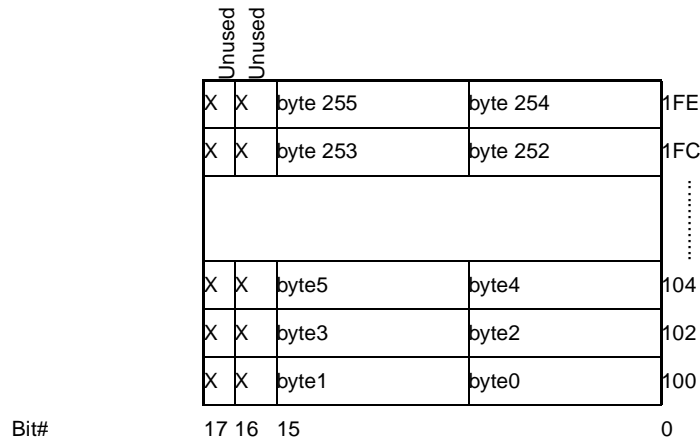
# write data pattern into buffer 0

```
iowrite | RFCR (200)
iowrite | RFDR (10002) #mask byte 0 (value = 02)
iowrite | RFCR (202)
iowrite | RFDR (20103) #mask byte 1 (value = 01)
iowrite | RFCR (204)
iowrite | RFDR (30204) #mask byte 0 and 1
```

## 4.0 Register Set (Continued)

### 4.2.22.3 Accept on Multicast or Unicast Hash

Multicast and Unicast addresses may be further qualified by use of the receive filter hash functions. An internal 2048 bit (256 byte) RAM-based hash table is used to perform imperfect filtering of multicast or unicast packets. By enabling either Multicast Hashing or Unicast Hashing in the RFCR, the receive filter logic will use the 11 most significant bits of the destination addresses' CRC as an index into the Hash Table memory. The upper 7 bits represent the word address and the lower 4 bits select the bit within the word. If the corresponding bit is set, then the packet is accepted, otherwise the packet is rejected. The hash table memory is accessed through the RFCR and the RFDR. Refer to Figure 4-2 for a memory map. Below is example code for setting a bit in the hash table.



**Figure 4-2 Hash Table Memory - 100h bytes addressed on word boundaries**

Given a CRC of F9E80000:

RFCR = (IO base + 48h)

RFDR = (IO base + 4Ch)

# Bits 31-25 select which 16-bit word

Word = 7C

#Lower 24-21 bits select which bit in 16-bit word

Bit =F

# Select bit to set/clear

hash\_bit = (0001<<bit)

#Write word address into RFCR

iowrite I RFCR (100 + word)

# Read indexed word from table

ioread I RFDR

set hash\_word =(result | hash\_bit) #OR in the hash bit to set

#Write to the hash table

iowrite I RFDR (hash\_word)

# Enable multicast and/or unicast hash

iowrite I RFCR (RFEN | MHEN | UHEN)

## 4.0 Register Set (Continued)

### 4.2.23 Boot ROM Address Register

The BRAR is used to setup the address for an access to an external ROM/FLASH device.

*Tag:* BRAR                                      *Size:* 32 bits                                      *Hard Reset:* FFFFFFFFh  
*Offset:* 0050h                                      *Access:* Read Write                                      *Soft Reset:* FFFFFFFFh

bit	tag	description	usage
31	AUTOINC	Auto-Increment	When set, the contents of ADDR will auto increment with every 32-bit access to the BRDR register.
30-16			unused
15-0	ADDR	Boot ROM Address	16-bit address used to access the external Boot ROM.

### 4.2.24 Boot ROM Data Register

The BRDR is used to read and write ROM/FLASH data from the data from/to an external ROM/FLASH device.

*Tag:* BRDR                                      *Size:* 32 bits                                      *Hard Reset:* undefined  
*Offset:* 0054h                                      *Access:* Read Write                                      *Soft Reset:* undefined

bit	tag	description	usage
31-0	DATA	Boot ROM Data	Access port to external Boot ROM. Software can use BRAR and BRDR to read (and write if FLASH memory is used) the external Boot ROM. All accesses must be 32-bits wide and aligned on 32-bit boundaries.

### 4.2.25 Silicon Revision Register

*Tag:* SRR                                      *Size:* 32 bits                                      *Hard Reset:* as defined  
*Offset:* 0058h                                      *Access:* Read Only                                      *Soft Reset:* unchanged

bit	tag	description	usage
31-16			unused (reads return 0)
15-0	REV	Revision Level	Silicon Revision for the DP83820. Rev B 0103h

## 4.0 Register Set (Continued)

### 4.2.26 Management Information Base Control Register

The MIBC register is used to control access to the statistics block and the warning bits and to control the collection of management information statistics.

Tag: MIBC

Size: 32 bits

Hard Reset: 00000002h

Offset: 005ch

Access: Read Write

Soft Reset: 00000002h

bit	tag	description	usage
31-4			unused
3	MIBS	MIB Counter Strobe	Writing a 1 to this bit location causes the counters in all enabled blocks to increment by 1, providing a single-step test function. The MIBS bit is always read back as 0. <b>This bit is used for test purposes only and should be set to 0 for normal counter operation.</b>
2	ACLR	Clear all counters	When set to a 1, this bit forces all counters to be reset to 0. This bit is always read back as 0.
1	FRZ	Freeze all counters	When set to a 1, this bit forces count values to be frozen such that a read of the statistic block will represent management statistics at a given instant in time. When set to 0, the counters will increment normally and may be read individually while counting.
0	WRN	Warning Test Indicator	This field is read only. This bit is set to 1 when all statistic counters have reached their respective overflow warning condition. WRN will be cleared after one or more of the statistic counters have been cleared.

## 4.0 Register Set (Continued)

### 4.2.27 Management Information Base Registers

The counters provide a set of statistics compliant with the following management specifications: MIB II, Ether-like MIB, and IEEE MIB. The values provided are accessed through the various registers as shown below. All MIB counters are cleared to 0 when read.

Due to cost and space limitations, the counter bit widths provided in the DP83820 MIB are less than the bit widths called for in the above specifications. It is assumed that management agent software will maintain a set of fully compliant statistic values ("software" counters), utilizing the hardware counters to reduce the frequency at which these

"software" counters must be updated. Sizes for specific hardware statistic counters were chosen such that the count values will not roll over in less than 30 ms if incremented at the theoretical maximum rates described in the above specifications. However, given that the theoretical maximum counter rates do not represent realistic network traffic and events, the actual rollover rates for the hardware counters are more likely to be on the order of several seconds. The hardware counters are updated automatically by the MAC on the occurrence of each event.

**Table 4-3 MIB Registers**

offset	tag	size	warning (MS bits)	description
0060h	RXErroredPkts	16	8	Packets received with errors. This counter is incremented for each packet received with errors. This count includes packets which are automatically rejected from the FIFO due to both wire errors and FIFO overruns.
0064h	RXFCSErrors	16	8	Packets received with frame check sequence errors. This counter is incremented for each packet received with a Frame Check Sequence error (bad CRC). <b>Note:</b> For the MII interface, an FCS error is defined as a resulting invalid CRC after CRS goes invalid and an even number of bytes have been received.
0068h	RXMsdPktErrors	16	8	Packets missed due to FIFO overruns. This counter is incremented for each receive aborted due to data or status FIFO overruns (insufficient buffer space).
006Ch	RXFAErrors	16	8	Packets received with frame alignment errors. This counter is incremented for each packet received with a Frame Check Sequence error (bad CRC). <b>Note:</b> For the MII interface, an FAE error is defined as a resulting invalid CRC on the last full octet, and an odd number of nibbles have been received (Dribble nibble condition with a bad CRC).
0070h	RXSymbolErrors	16	8	Packets received with one or more symbol errors. This counter is incremented for each packet received with one or more symbol errors detected. <b>Note:</b> For the MII interface, a symbol error is indicated by the RX_ER signal becoming active for one or more clocks while the RX_DV signal is active (during valid data reception).
0074h	RXFrameTooLong	16	8	Packets received with length greater than 1518 bytes (too long packets). This counter is incremented for each packet received with greater than the 802.3 standard maximum length of 1518 bytes.
0078h	RXIRLErrors	16	8	Packets received with In Range Length errors. This counter increments for packets received with a MAC length/type value between 64 and 1518 bytes, inclusive, that does not match the number of bytes received. This counter also increments for packets with a MAC length/type field of less than 64 bytes and more than 64 bytes received.
007Ch	RXBadOpCodes	16	8	Packets received with a valid MAC control type and an opcode for a function that is not supported by the device.
0080h	RXPauseFrames	16	8	MAC control Pause frames received.
0084h	TXPauseFrames	16	8	MAC control Pause frames transmitted.
0088h	TXSQEErrors	8	4	Loss of collision heartbeat during transmission. This counter is incremented when the collision heartbeat pulse is not detected by the PMD after a transmission.



## 4.0 Register Set (Continued)

### 4.2.28 Transmit Descriptor Pointer 1 Register

This register points to the Transmit Descriptor for Priority Queue 1.

*Tag:* TXDP1                      *Size:* 32 bits                      *Hard Reset:* 00000000h  
*Offset:* 00A0h                      *Access:* Read Write                      *Soft Reset:* 00000000h

bit	tag	description	usage
31-3	TXDP1	Transmit Descriptor Pointer 1	The current value of the transmit descriptor pointer for Priority Queue 1. When initializing the queue for a new transmission, software must set TXDP to the address of a completed transmit descriptor. While the transmit state machine is active, TXDP will follow the state machine as it advances through a linked list of active descriptors. If the link field of the current transmit descriptor is NULL (signifying the end of the list), TXDP will not advance, but will remain on the current descriptor. Any subsequent writes to the TXE bit of the CR register will cause the transmit state machine to reread the link field of the current descriptor to check for new descriptors that may have been appended to the end of the list. Transmit descriptors must be aligned on an even 64-bit boundary in host memory (A2-A0 must be 0).
2-0			unused

### 4.2.29 Transmit Descriptor Pointer 2 Register

This register points to the Transmit Descriptor for Priority Queue 2.

*Tag:* TXDP2                      *Size:* 32 bits                      *Hard Reset:* 00000000h  
*Offset:* 00A4h                      *Access:* Read Write                      *Soft Reset:* 00000000h

bit	tag	description	usage
31-3	TXDP2	Transmit Descriptor Pointer 2	The current value of the transmit descriptor pointer for Priority Queue 2. When initializing the queue for a new transmission, software must set TXDP to the address of a completed transmit descriptor. While the transmit state machine is active, TXDP will follow the state machine as it advances through a linked list of active descriptors. If the link field of the current transmit descriptor is NULL (signifying the end of the list), TXDP will not advance, but will remain on the current descriptor. Any subsequent writes to the TXE bit of the CR register will cause the transmit state machine to reread the link field of the current descriptor to check for new descriptors that may have been appended to the end of the list. Transmit descriptors must be aligned on an even 64-bit boundary in host memory (A2-A0 must be 0).
2-0			unused

### 4.2.30 Transmit Descriptor Pointer 3 Register

This register points to the Transmit Descriptor for Priority Queue 3.

*Tag:* TXDP3                      *Size:* 32 bits                      *Hard Reset:* 00000000h  
*Offset:* 00A8h                      *Access:* Read Write                      *Soft Reset:* 00000000h

bit	tag	description	usage
31-3	TXDP3	Transmit Descriptor Pointer 3	The current value of the transmit descriptor pointer for Priority Queue 3. When initializing the queue for a new transmission, software must set TXDP to the address of a completed transmit descriptor. While the transmit state machine is active, TXDP will follow the state machine as it advances through a linked list of active descriptors. If the link field of the current transmit descriptor is NULL (signifying the end of the list), TXDP will not advance, but will remain on the current descriptor. Any subsequent writes to the TXE bit of the CR register will cause the transmit state machine to reread the link field of the current descriptor to check for new descriptors that may have been appended to the end of the list. Transmit descriptors must be aligned on an even 64-bit boundary in host memory (A2-A0 must be 0).
2-0			unused

## 4.0 Register Set (Continued)

### 4.2.31 Receive Descriptor Pointer 1 Register

This register points to the Receive Descriptor for Priority Queue 1.

*Tag:* RXDP1                      *Size:* 32 bits                      *Hard Reset:* 00000000h  
*Offset:* 00B0h                      *Access:* Read Write                      *Soft Reset:* 00000000h

bit	tag	description	usage
31-3	RXDP1	Receive Descriptor Pointer 1	The current value of the receive descriptor pointer for Priority Queue 1. Packets will be stored in Priority Queue 1 based on the number of priority queues enabled and the priority field in the VLAN tag. When the receive state machine is idle, software must set RXDP1 to the address of an available receive descriptor, and then enable the queue by writing to the RXE bit in the CR with the RXPR[1] bit set. While the receive state machine is active, RXDP1 will follow the state machine as it advances through a linked list of available descriptors. If the link field of the current receive descriptor is NULL (signifying the end of the list), RXDP1 will not advance, but will remain on the current descriptor. Any subsequent writes to the RXE bit of the CR register will cause the receive state machine to reread the link field of the current descriptor to check for new descriptors that may have been appended to the end of the list. Software should not write to this register unless the receive state machine is idle. Receive descriptors must be aligned on 64-bit boundaries (A2-A0 must be zero).
2-0			unused

### 4.2.32 Receive Descriptor Pointer 2 Register

This register points to the Receive Descriptor for Priority Queue 2.

*Tag:* RXDP2                      *Size:* 32 bits                      *Hard Reset:* 00000000h  
*Offset:* 00B4h                      *Access:* Read Write                      *Soft Reset:* 00000000h

bit	tag	description	usage
31-3	RXDP2	Receive Descriptor Pointer 2	The current value of the receive descriptor pointer for Priority Queue 2. Packets will be stored in Priority Queue 2 based on the number of priority queues enabled and the priority field in the VLAN tag. When the receive state machine is idle, software must set RXDP2 to the address of an available receive descriptor, and then enable the queue by writing to the RXE bit in the CR with the RXPR[2] bit set. While the receive state machine is active, RXDP2 will follow the state machine as it advances through a linked list of available descriptors. If the link field of the current receive descriptor is NULL (signifying the end of the list), RXDP2 will not advance, but will remain on the current descriptor. Any subsequent writes to the RXE bit of the CR register will cause the receive state machine to reread the link field of the current descriptor to check for new descriptors that may have been appended to the end of the list. Software should not write to this register unless the receive state machine is idle. Receive descriptors must be aligned on 64-bit boundaries (A2-A0 must be zero).
2-0			unused

## 4.0 Register Set (Continued)

### 4.2.33 Receive Descriptor Pointer 3 Register

This register points to the Receive Descriptor for Priority Queue 3 (highest priority).

Tag: RXDP3                      Size: 32 bits                      Hard Reset: 00000000h  
 Offset: 00B8h                      Access: Read Write                      Soft Reset: 00000000h

bit	tag	description	usage
31-3	RXDP3	Receive Descriptor Pointer 3	The current value of the receive descriptor pointer for Priority Queue 3. Packets will be stored in Priority Queue 3 based on the number of priority queues enabled and the priority field in the VLAN tag. When the receive state machine is idle, software must set RXDP3 to the address of an available receive descriptor, and then enable the queue by writing to the RXE bit in the CR with the RXPRI[3] bit set. While the receive state machine is active, RXDP3 will follow the state machine as it advances through a linked list of available descriptors. If the link field of the current receive descriptor is NULL (signifying the end of the list), RXDP3 will not advance, but will remain on the current descriptor. Any subsequent writes to the RXE bit of the CR register will cause the receive state machine to reread the link field of the current descriptor to check for new descriptors that may have been appended to the end of the list. Software should not write to this register unless the receive state machine is idle. Receive descriptors must be aligned on 64-bit boundaries (A2-A0 must be zero).
2-0			unused

### 4.2.34 VLAN/IP Receive Control Register

This register allows enabling of the various VLAN tag handling features and IP Checksum offload features.

Tag: VRCR                      Size: 32 bits                      Hard Reset: 00000000h  
 Offset: 00BCh                      Access: Read Write                      Soft Reset: 00000000h

bit	tag	description	usage
31-8			unused
7	RUDPE	Reject UDP Checksum Errors	When set to 1, all packets with UDP headers that have errors in the UDP checksum field will be rejected. If IPEN is 0, this bit will be ignored.
6	RTCPE	Reject TCP Checksum Errors	When set to 1, all packets with TCP headers that have errors in the TCP checksum field will be rejected. If IPEN is 0, this bit will be ignored.
5	RIPE	Reject IP Checksum Errors	When set to 1, all packets with IP headers that have errors in the IP checksum field will be rejected. If IPEN is 0, this bit will be ignored.
4	IPEN	IP Checksum Enable	When set to a 1, the receiver will detect IP, TCP, and UDP headers, and validate the checksum fields.
3	DUTF	Discard Untagged Frames	Receiver will discard any frames without a 1 VLAN tag.
2	DVTF	Discard VLAN Tagged Frames	Receiver will discard any frames with a VLAN tag.
1	VTREN	VLAN Tag Removal Enable	Enables stripping of the VLAN tag upon detection. If VTDEN is not set, then this bit will have no effect.
0	VTDEN	VLAN Tag Detection Enable	Enable detection of VLAN packets based on VLAN type field as configured in the VLAN Data Register. VLAN status, including user_priority, CFI and VID fields, will be posted in the EXTSTS field of the receive packet descriptor.

## 4.0 Register Set (Continued)

### 4.2.35 VLAN/IP Transmit Control Register

This register allows enabling of the various VLAN tag handling features and IP checksum offload features.

*Tag:* VTCR                                      *Size:* 32 bits                                      *Hard Reset:* 00000000h  
*Offset:* 00C0h                                      *Access:* Read Write                                      *Soft Reset:* 00000000h

bit	tag	description	usage
31-4			unused
3	PPCHK	Per-Packet Checksum Generation	Enables IP/TCP/UDP Checksum generation on a per-packet basis. Uses individual enable controls from the EXTSTS field of the packet descriptor.
2	GCHK	Global Checksum Generation	Enables IP/TCP/UDP Checksum generation on all transmit packets.
1	VPPTI	VLAN Per-Packet Tag Insertion	Insert VLAN tag in on a per-packet basis. Uses the VLAN Data Register VLAN type field for the VLAN type. Uses the user_priority, CFI and VLAN ID fields from the EXTSTS field of the packet descriptor.
0	VGTI	VLAN Global Tag Insertion	Insert VLAN tag in all transmit packets. Uses the VLAN Data Register data for the 32-bit VLAN tag to be inserted.

### 4.2.36 VLAN Data Register

This register contains data for VLAN tag insertion and detection.

*Tag:* VDR    *Size:* 32 bits    *Hard Reset:* 00000081h  
*Offset:* 00C4h    *Access:* Read Write    *Soft Reset:* 00000081h

bit	tag	description	usage
31-16	VTCTI	VLAN Tag Control Information Field	This field is the 2-octet VLAN TCI field. It is used by the transmitter during Global Tag Insertion. It contains the VLAN user_priority, CFI and VID (VLAN Identifier) fields. It is not used by the receiver.
15-0	VTYPE	VLAN Type Field	This field is the 2-octet VLAN type field. By default this contains the 802.1Q Tag Type of 81-00. In order to represent the order the bytes will be shifted on the wire, it actually contains a value of 0081h. This field is used by the transmitter for Global Tag Insertion and by the receiver for Tag detection.

### 4.2.37 Clockrun Control/Status Register

*Tag:* CCSR    *Size:* 32 bits    *Hard Reset:* 00000000h  
*Offset:* 00CCh    *Access:* Read Write    *Soft Reset:* 00000000h

bit	tag	description	usage
31-16			unused (reads return 0)
15	PMESTS	PME Status	Sticky bit which represents the state of the PME/CLKRUN logic, regardless of the state of the PMEEN bit. Mirrored from PCI configuration register PMCSR. Writing a 1 to this bit clears it.
14-9			unused (reads return 0)
8	PMEEN	PME Enable	When set to 1, this bit enabled the assertion of the PMEN pin. When 0, the PMEN pin is forced to be inactive. This value can be loaded from the EEPROM. Mirrored from PCI configuration register PMCSR.
7-1			unused (reads return 0)
0	CLKRUN_EN	CLKRUN Enable	When set to 1, this bit enables the CLKRUN logic and allows the assertion of the CLKRUN_N pin. When 0, the CLKRUN function is disabled.

## 4.0 Register Set (Continued)

### 4.2.38 TBI Control Register

This register is used to enable and/or restart TBI auto-negotiation. It is also used to enable PCS loopback of TBI data.

*Tag:* TBICR                      *Size:* 32 bits                      *Hard Reset:* 00000000h  
*Offset:* 00E0h                      *Access:* Read Write                      *Soft Reset:* 00000000h

bit	tag	description	usage
15			unused - Returns 0
14	MR_LOOPBACK	TBI PCS Loopback Enable	When set to a 1, indicates to TBI that the interfacing PHY device is in loopback mode (i.e. signal detect not necessarily required).
13			unused - returns 0
12	MR_AN_ENABLE	TBI Auto-Negotiation Enable	When set to a 1, enables the Auto-negotiation function for the TBI interface. R/W
11-10			unused - returns 0
9	MR_RESTART_AN	Restarts the TBI Auto-negotiation Process	When set to a 1, TBI Auto-Negotiation is restarted. This bit allows management control of renegotiation.
8-0			unused - returns 0

### 4.2.39 TBI Status Register

This register indicates the link status and the auto-negotiation status for the TBI interface.

*Tag:* TBISR                      *Size:* 32 bits                      *Hard Reset:* 00000000h  
*Offset:* 00E4h                      *Access:* Read Only                      *Soft Reset:* 00000000h

bit	tag	description	usage
15-6			unused - returns 0
5	MR_LINK_STATUS	Link Status of the TBI Interface	Read-only bit, when set to a 1, indicates that the TBI interface is ready to transmit and receive data.
4-3			unused - returns 0
2	MR_AN_COMPLETE	TBI Auto-negotiation Completed Successfully	Read-only bit, when set to a 1, indicates that the TBI interface has successfully completed auto-negotiation.
1-0			unused - returns 0

### 4.2.40 TBI Auto-Negotiation Advertisement Register

This register is configured before auto-negotiation begins and contains the advertised ability of the local device.

*Tag:* TANAR                      *Size:* 32 bits                      *Hard Reset:* 00000000h  
*Offset:* 00E8h                      *Access:* Read Write                      *Soft Reset:* 00000000h

bit	tag	description	usage
15	NP	Next Page Exchange Required	When set to a 1, this bit indicates that next page transmission is requested. Subsequent next pages may set the NP bit to a 0 to indicate next page transmission is completed. A device may implement next page ability and choose not to engage in a next page exchange by clearing this bit.
14			mr_adv_ability

## 4.0 Register Set (Continued)

13-12	RF2, RF1	Remote Fault	Read-only bits indicating that a fault or error condition has occurred. The default value is 00. 00 - No error, Link OK 10 - Offline 01 - Link Failure 11 - Auto-Negotiation Error
11-9			unused - returns 0
8-7	PS2, PS1	Pause Capability Encoding	PS1 indicates that the device is capable of providing symmetric PAUSE functions. PS2 indicates that asymmetric PAUSE operation is supported. The value of PS1 when PS2 is set indicates the direction PAUSE frames are supported for flow across the link. Asymmetric PAUSE configuration results in independent enabling of the PAUSE receive and PAUSE transmit functions for PAUSE configuration resolution. 00 - No PAUSE 10 - Asymmetric PAUSE Toward Link Partner 01 - Symmetric PAUSE 11 - Both Symmetric PAUSE and Asymmetric PAUSE Toward Local Device.
6	HALF_DUP	Half Duplex	When set to 1, advertises half duplex capability.
5	FULL_DUP	Full Duplex	When set to 1, advertises full duplex capability.
4-0			unused - returns 0

### 4.2.41 TBI Auto-Negotiation Link Partner Ability Register

This register contains the advertised ability of the link partner. The bit definitions are a direct representation of the link partner's base page. The value of this register is valid after successful completion of auto-negotiation or when a new base page has been received as indicated by bit 6 of the Auto-Negotiation Expansion Register.

*Tag:* TANLPAR                      *Size:* 32 bits                      *Hard Reset:* 00000000h  
*Offset:* 00ECh                      *Access:* Read Only                      *Soft Reset:* 00000000h

bit	tag	description	usage
15	NP	Next Page Exchange Required	Read-only. Indicates that the link partner has a next page to transmit.
14			ignore on read - internal use only
13-12	RF2,RF1		Read-only. Indicates remote fault status of the link partner.
11-9			unused - returns 0
8-7	PS2, PS1		Read-only. Indicates the PAUSE capability of the link partner.
6	HALF_DUP		Read-only. Link partner is half duplex capable.
5	FULL_DUP		Read-only. Link partner is full duplex capable
4-0			unused - returns 0

## 4.0 Register Set (Continued)

### 4.2.42 TBI Auto-Negotiation Expansion Register

This register is a read-only register indicating if a new base page from the link partner has been received and if the local device is next page able. Writes to this register have no effect.

*Tag:* TANER                      *Size:* 32 bits                      *Hard Reset:* 00000000h  
*Offset:* 00F0h                      *Access:* Read Only                      *Soft Reset:* 00000000h

bit	tag	description	usage
15-3			unused - returns 0
2	Next Page Able	Local Device supports the Next Page Function	When set to a 1, this bit indicates that the local device supports the Next Page function.
1	Page Received	New Page Received from Link Partner	When set to a 1, this bit indicates that a new page has been received from the link partner and stored in the applicable auto-negotiation link partner ability register or next page register.
0			unused - returns 0

### 4.2.43 TBI Extended Status Register

This is a read-only register indicating all modes of operation for the local device. Writes to this register have no effect.

*Tag:* TESR                      *Size:* 32 bits                      *Hard Reset:* 0000C000h  
*Offset:* 00F4h                      *Access:* Read Only                      *Soft Reset:* 0000C000h

bit	tag	description	usage
15	1000BASE-X Full Duplex	Full Duplex 1000BASE-X Capable	Read-only bit, set to a 1, indicating that the local device is able to perform full duplex, 1000BASE-X operations.
14	1000BASE-X Half Duplex	Half Duplex 1000BASE-X Capable	Read-only bit, set to a 1, indicating that the local device is able to perform half duplex, 1000BASE-X operations.
13-0			unused - returns 0

## 5.0 DC and AC Specifications

### Absolute Maximum Ratings

Supply Voltage ( $V_{DD}$ )	-0.5 V to 3.6 V
3.3 V PCI signaling, 5.0 V tolerant	
DC Input Voltage ( $V_{IN}$ )	-0.5 V to 7.0 V
DC Output Voltage ( $V_{OUT}$ )	-0.5 V to $V_{DD} + 0.5$ V
Storage Temperature Range ( $T_{STG}$ )	-65 °C to 150 °C
Power Dissipation ( $P_D$ )	743 mW
Body Temp. ( $T_B$ ) (Soldering, 10 sec)	220 °C
ESD Rating	2.0 KV
( $R_{ZAP} = 1.5k\Omega$ , $C_{ZAP} = 120$ pF)	
TPTD+/- ESD Rating	1.6 KV
$\theta_{ja}$ (@0 cfm, 1 Watt)	44.5 °C/W
$\theta_{jc}$ (@1 Watt)	9.5 °C/W

### Recommended Operating Conditions

Supply voltage ( $V_{DD}$ ) - IO	3.3 Volts $\pm$ 0.3V
Supply voltage ( $V_{DD}$ ) - Core	1.8 Volts $\pm$ 0.15V
Ambient Temperature ( $T_A$ )	0 to 70 °C

Note: Absolute maximum ratings are values beyond which operation is not recommended or guaranteed. Extended exposure beyond these limits may affect device reliability. They are not meant to imply that the device should be operated at these limits.

### 5.1 DC Specifications

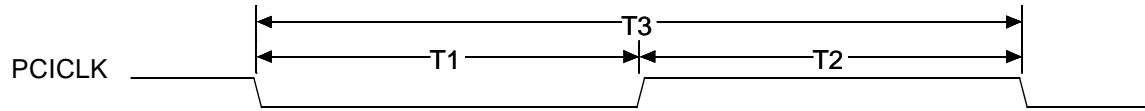
Symbol	Parameter	Conditions	Min	Typ	Max	Units
$V_{OH}$	Minimum High Level Output Voltage	$I_{OH} = -6$ mA -4 mA for PMEN	2.4			V
$V_{OL}$	Maximum Low Level Output Voltage	$I_{OL} = 6$ mA 4 mA for PMEN			0.4	V
$V_{IH}$	Minimum High Level Input Voltage		2.0			V
$V_{IL}$	Maximum Low Level Input Voltage		-0.5		0.8	V
$V_{IH}$	Minimum High Level Input Voltage	GMII pins	1.7			V
$V_{IL}$	Maximum Low Level Input Voltage	GMII pins			0.9	V
$I_{IN}$	Input Current	$V_{IN} = V_{DD}$ or GND	-10		10	$\mu$ A
$I_{OZ}$	TRI-STATE Output Leakage Current	$V_{OUT} = V_{DD}$ or GND	-10		10	$\mu$ A
$I_{DD}$	3.3 V Operating Supply Current	$I_{OUT} = 0$ mA, FREQ = $F_{MAX}$		150		mA
	3.3 V WOL standby			40		mA
	3.3 V Sleep mode			30		mA
$I_{DD}$	1.8 V Operating Supply Current	$I_{OUT} = 0$ mA, FREQ = $F_{MAX}$		75		mA
	1.8 V WOL standby			40		mA
	1.8 V Sleep mode			10	50	mA
$C_{IN}$	CMOS Input Capacitance			8		pF
$C_{OUT}$	CMOS Output Capacitance			8		pF



## 5.0 DC and AC Specifications (Continued)

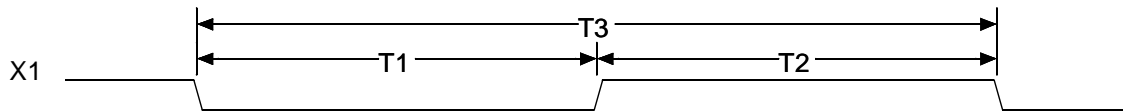
### 5.2 AC Specifications

#### 5.2.1 PCI Clock Timing



Number	Parameter	Min	Typ	Units
5.2.1.1	PCICLK Low Time	6		ns
5.2.1.2	PCICLK High Time	6		ns
5.2.1.3	PCICLK Cycle Time	15	$\infty$	ns

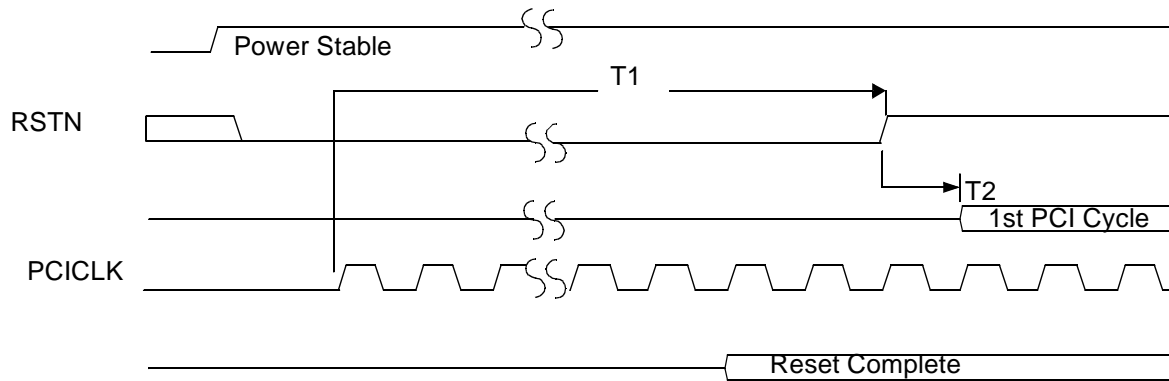
#### 5.2.2 X1 Clock Timing



Number	Parameter	Min	Typ	Units
5.2.2.1	X1 Low Time	16		ns
5.2.2.2	X1 High Time	16		ns
5.2.2.3	X1 Cycle Time	40	40	ns

## 5.0 DC and AC Specifications (Continued)

### 5.2.3 Power On Reset (PCI Active)



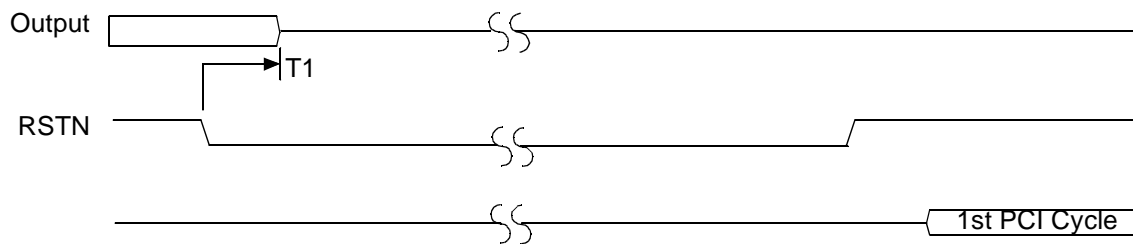
Number	Parameter	Min	Typ	Units
5.2.3.1	RSTN Active Duration from PCICLK stable	1		ms
5.2.3.2	Reset Disable to 1st PCI Cycle			
	EE Enabled	2000		us
	EE Disabled	1		us

Note 1: Minimum reset complete time is a function of the PCI, transmit, and receive clock frequencies.

Note 2: Minimum access after reset is dependent on PCI clock frequency. Accesses to DP83820 during this period will be ignored.

Note 3: EE is disabled for non power on reset.

### 5.2.4 Non Power On Reset



Number	Parameter	Min	Typ	Units
5.2.4.1	RSTN to Output Float		40	ns

Note 4: Minimum reset complete time is a function of the PCI, transmit, and receive clock frequencies.

## 5.0 DC and AC Specifications (Continued)

### 5.2.5 POR PCI Inactive



Number	Parameter	Min	Typ	Units
5.2.5.1	VDD stable to EE access VDD indicates the digital supply (AUX power plane, except PCI bus power.) Guaranteed by design.		60	us

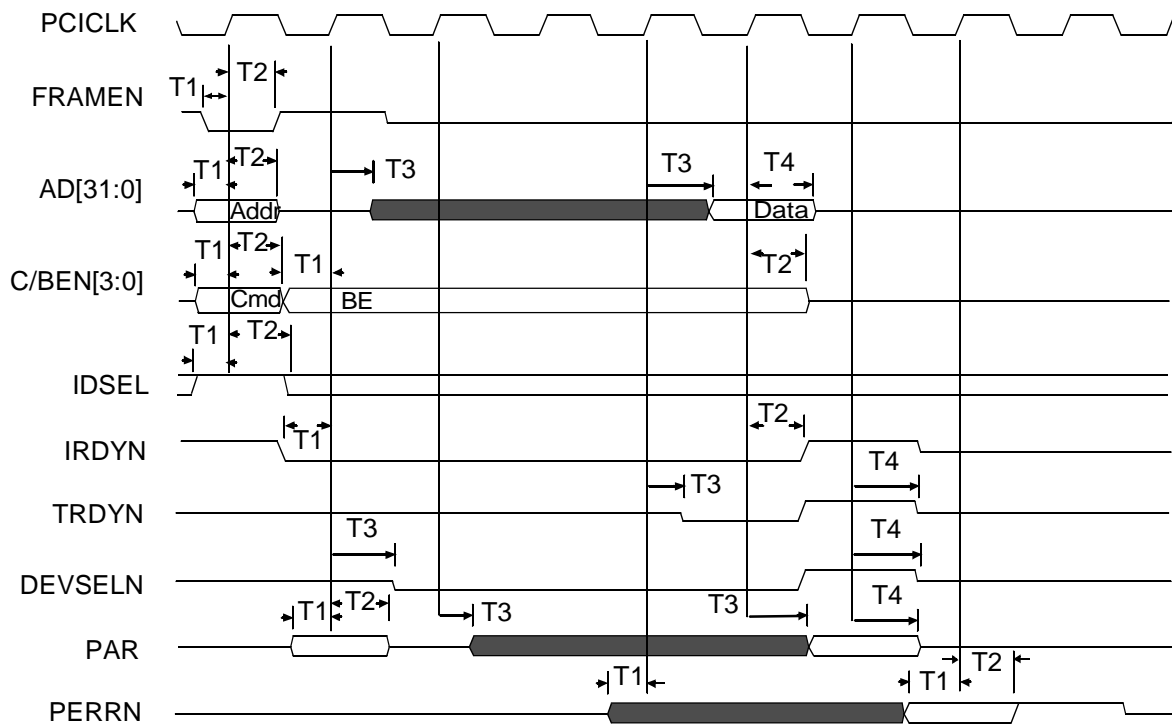
### 5.2.6 PCI Bus Cycles

The following table parameters apply to **ALL** the PCI Bus Cycle Timing Diagrams contained in this section.

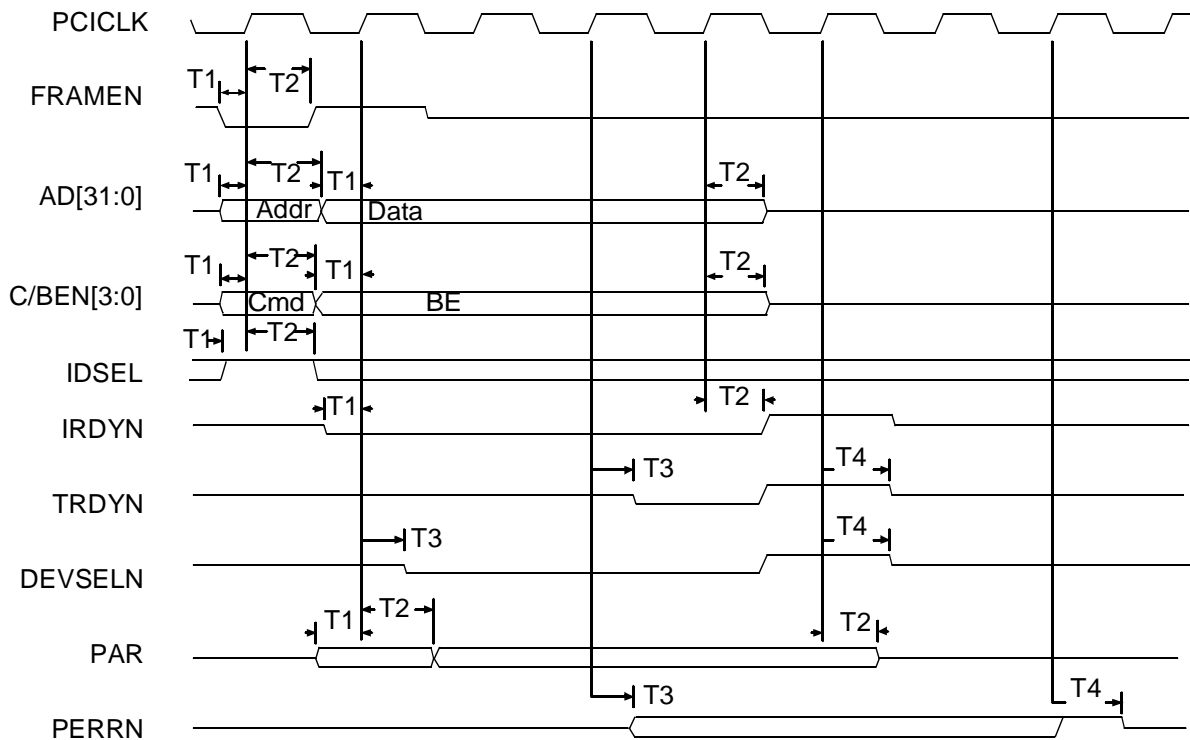
Number	Parameter	Min	Typ	Units
5.2.6.1	Input Setup Time	3		ns
5.2.6.2	Input Hold Time	0		ns
5.2.6.3	Output Valid Delay	2	6	ns
5.2.6.4	Output Float Delay ( $t_{off}$ time)		14	ns
5.2.6.5	Input Setup Time for GNTN - point to point	5		ns

## 5.0 DC and AC Specifications (Continued)

### PCI Configuration Read

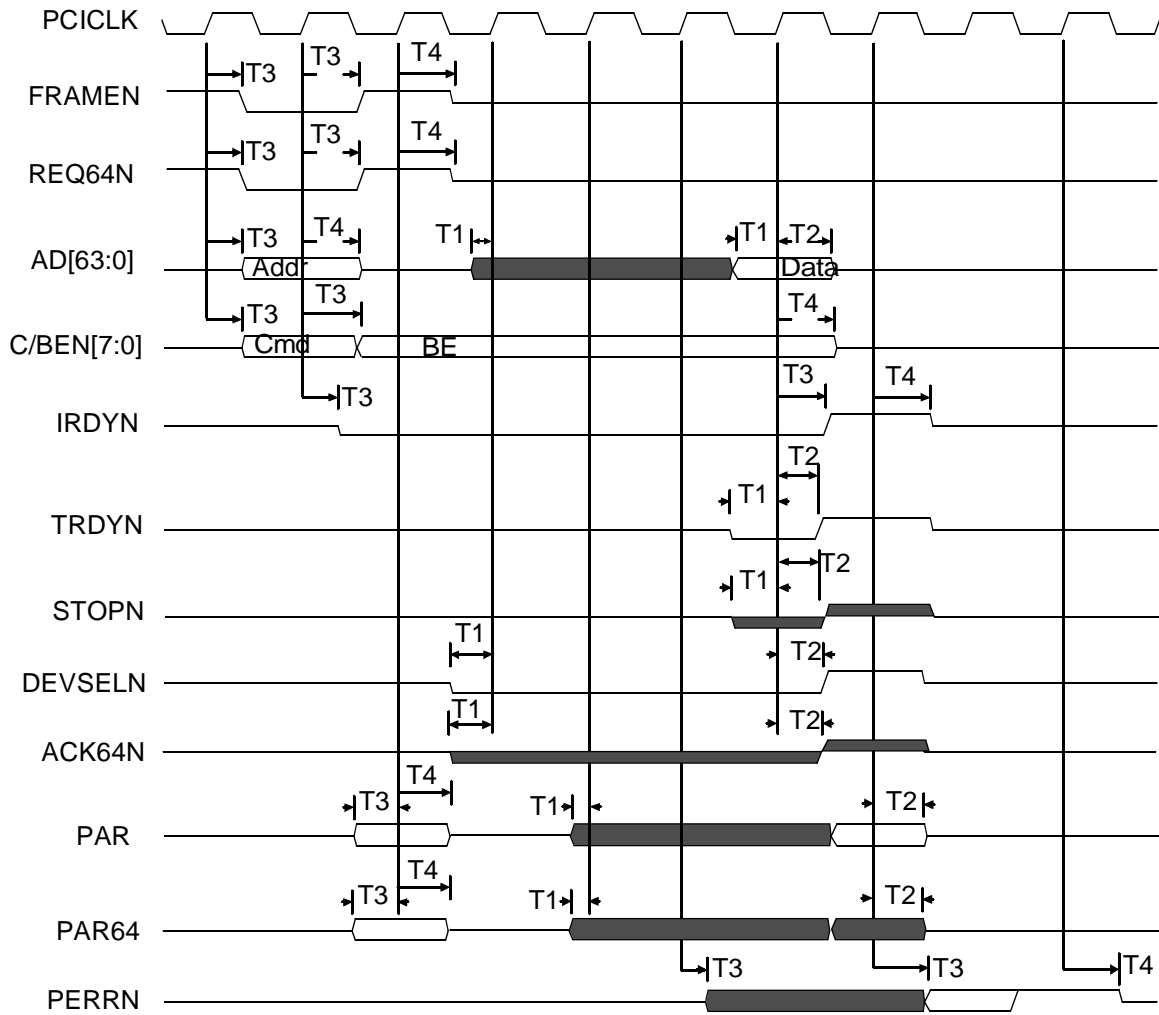


### PCI Configuration Write



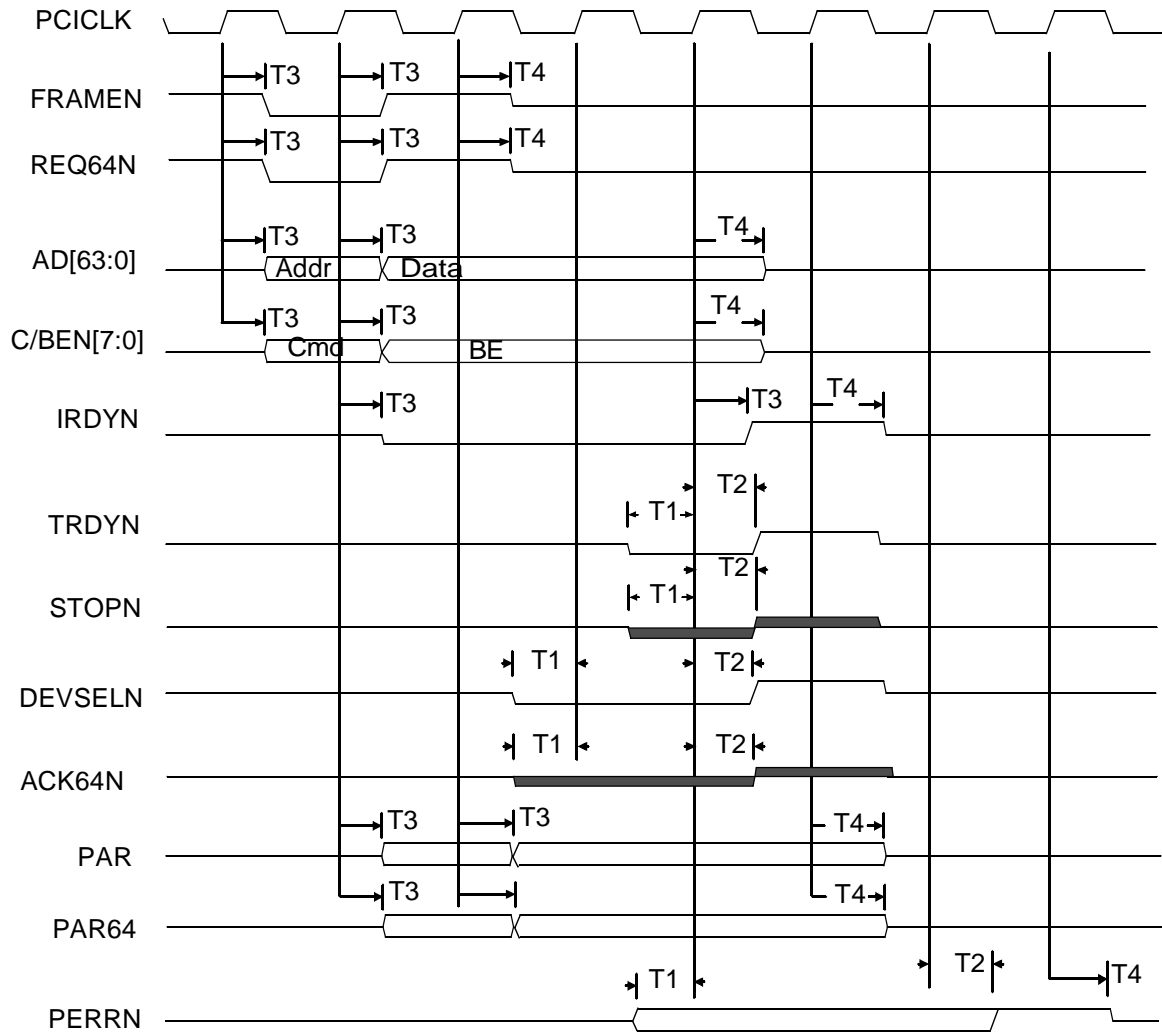
## 5.0 DC and AC Specifications (Continued)

### PCI Bus Master Read



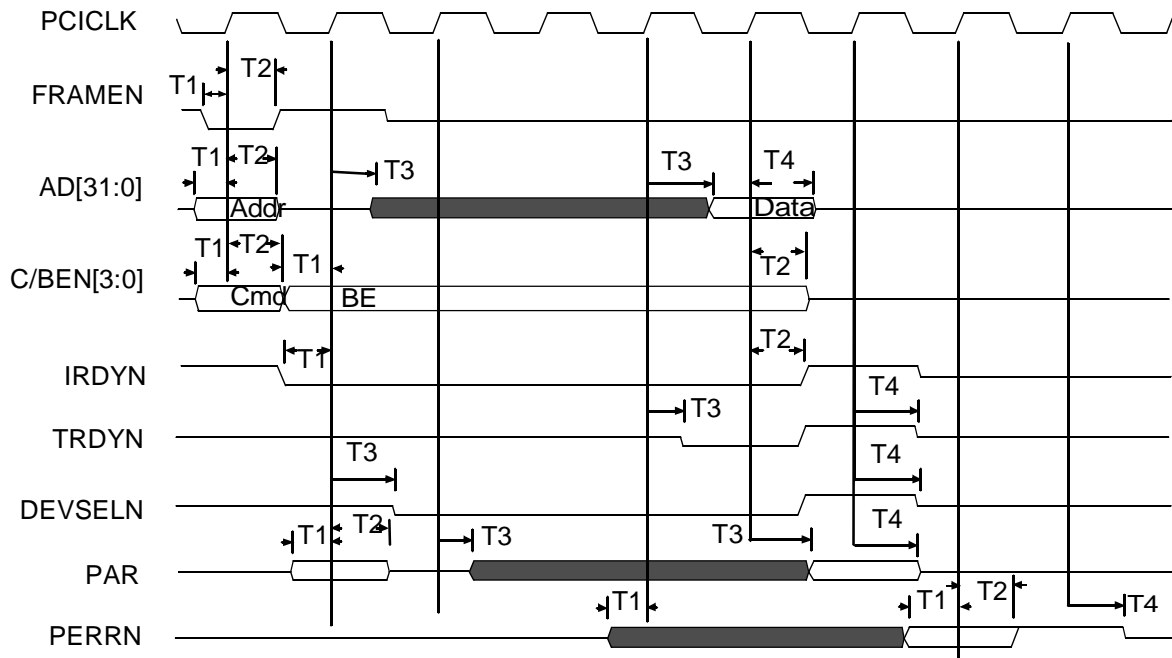
## 5.0 DC and AC Specifications (Continued)

### PCI Bus Master Write

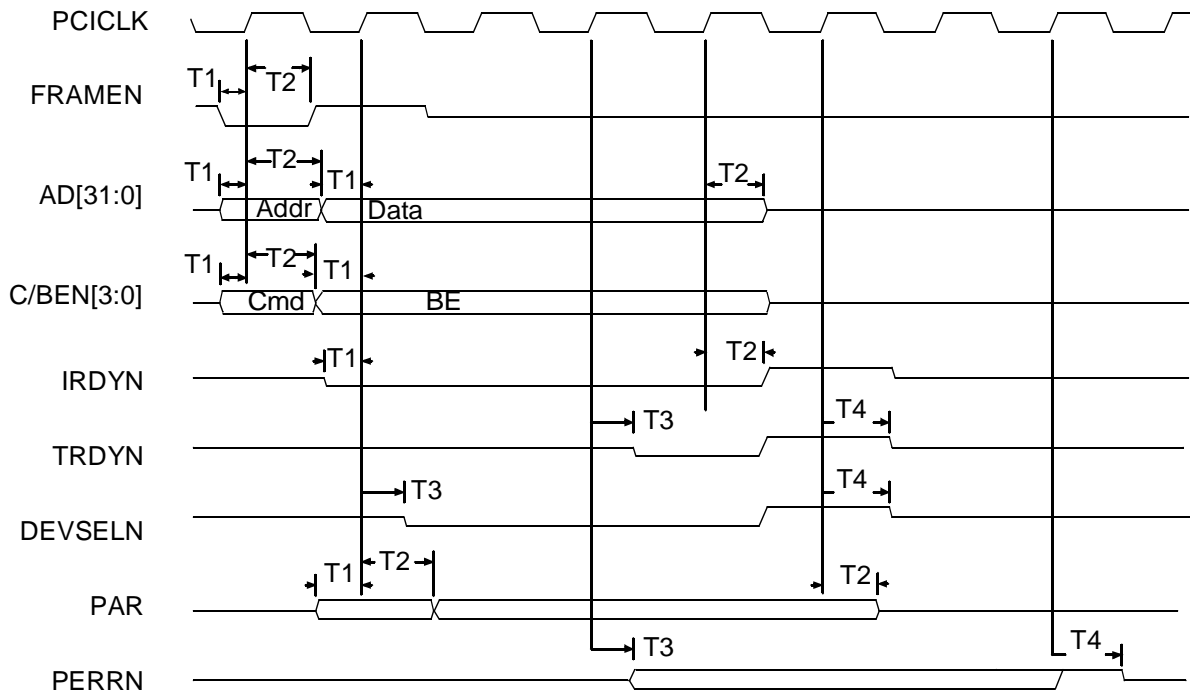


## 5.0 DC and AC Specifications (Continued)

### PCI Target Read

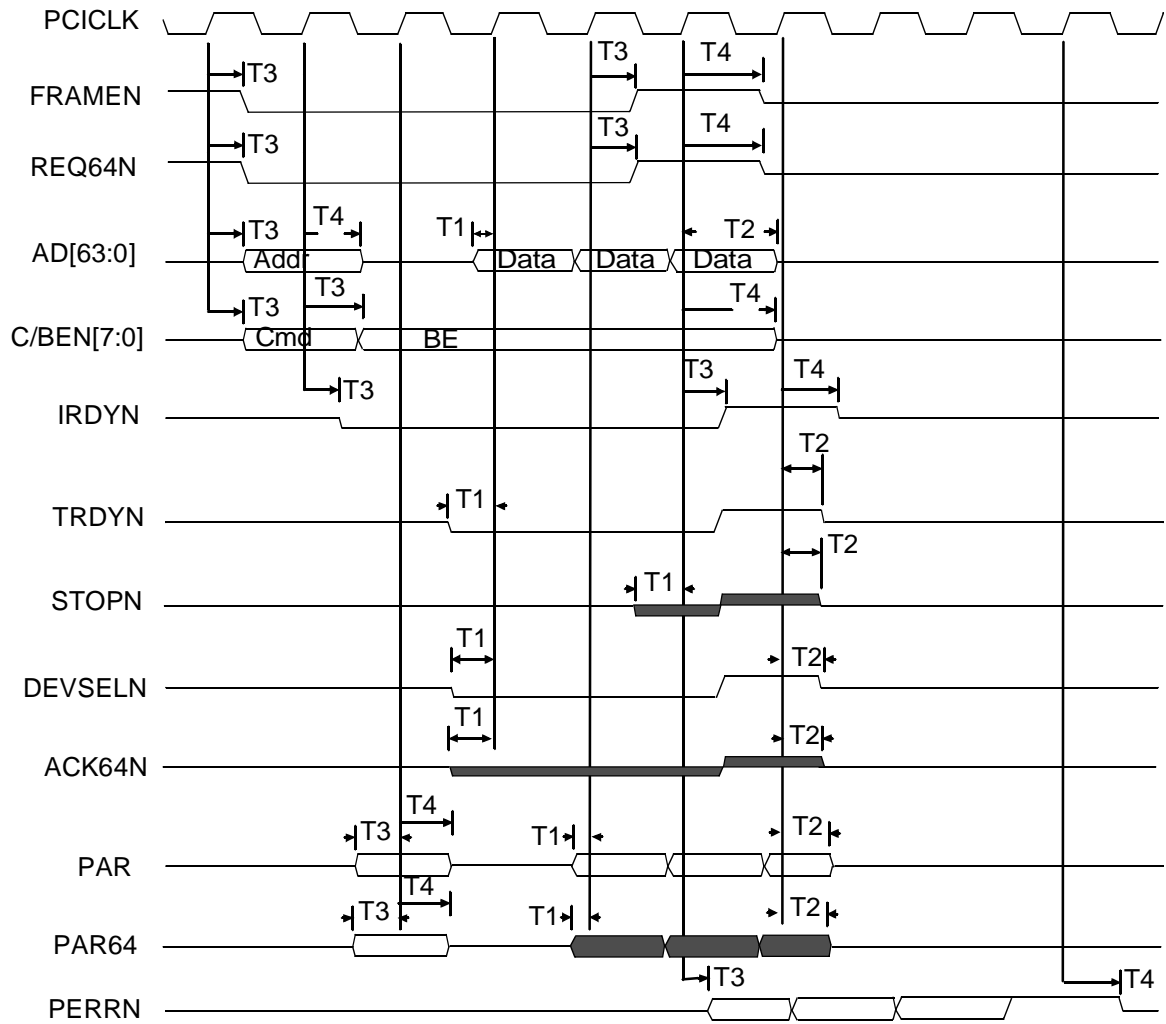


### PCI Target Write



## 5.0 DC and AC Specifications (Continued)

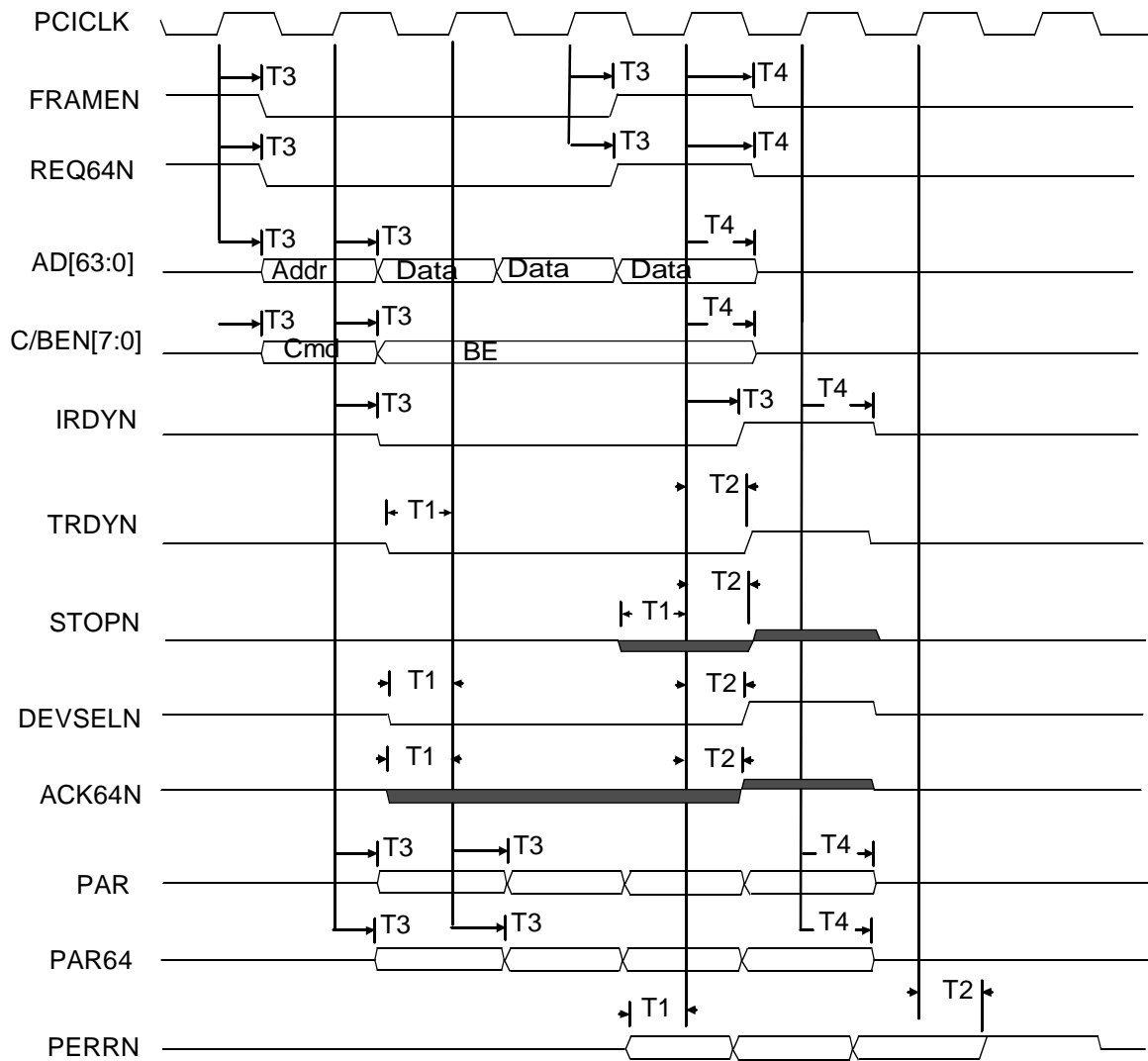
### PCI Bus Master Burst Read



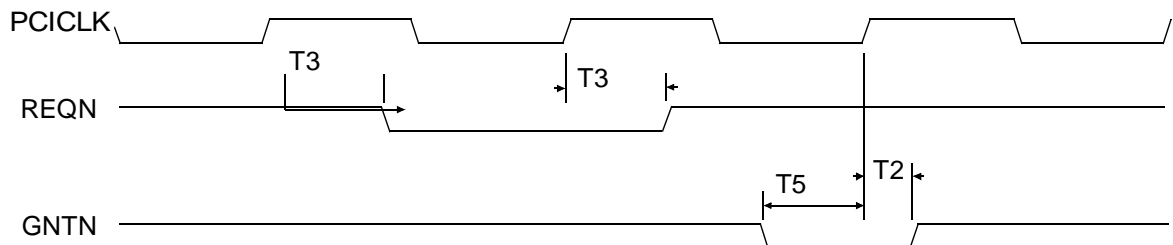


## 5.0 DC and AC Specifications (Continued)

### PCI Bus Master Burst Write

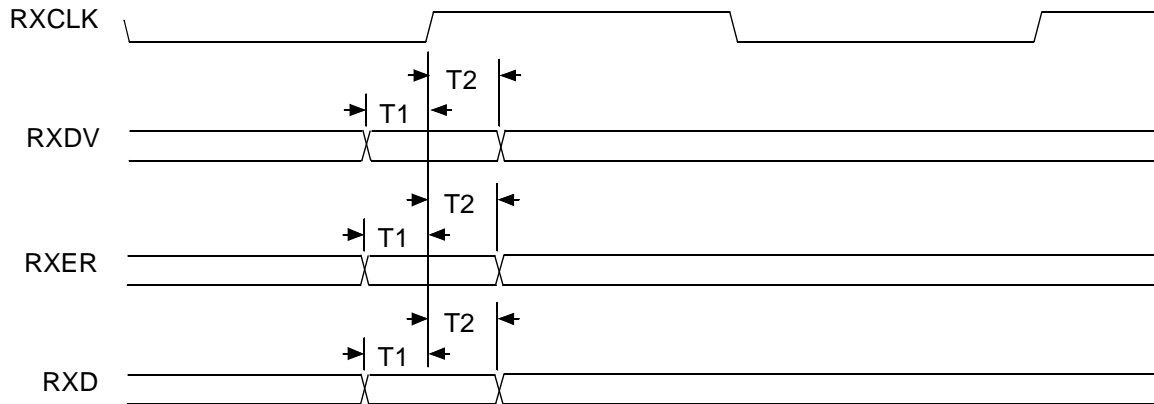


### PCI Bus Arbitration



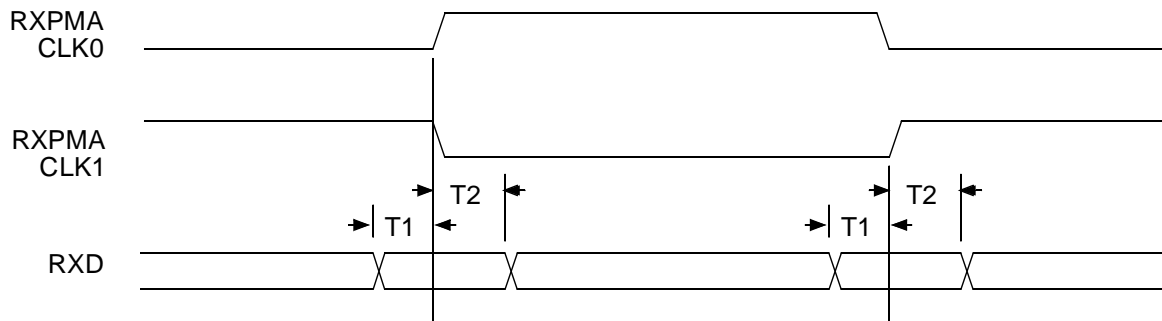
## 5.0 DC and AC Specifications (Continued)

### 5.2.7 RX MII/GMII Interface



Number	Parameter	Min	Typ	Units
5.2.7.1	RXDV/RXER/RXD to RXCLK Setup Requirement	2.0		ns
5.2.7.2	RXDV/RXER/RXD to RXCLK Hold Requirement	0.0		ns

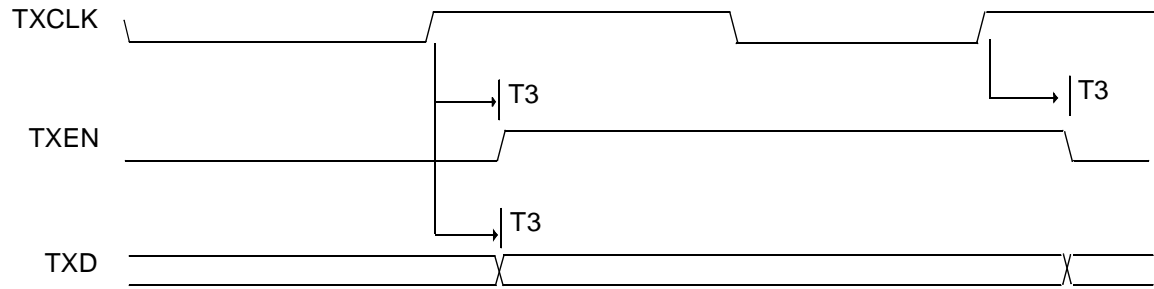
### 5.2.8 RX TBI Interface



Number	Parameter	Min	Typ	Units
5.2.8.1	RXD[9:0] to RXPMACLK0 or RXPMACLK1 Setup Requirement	2.5		ns
5.2.8.2	RXD[9:0] to RXPMACLK0 or RXPMACLK1 Hold Requirement	1.5		ns

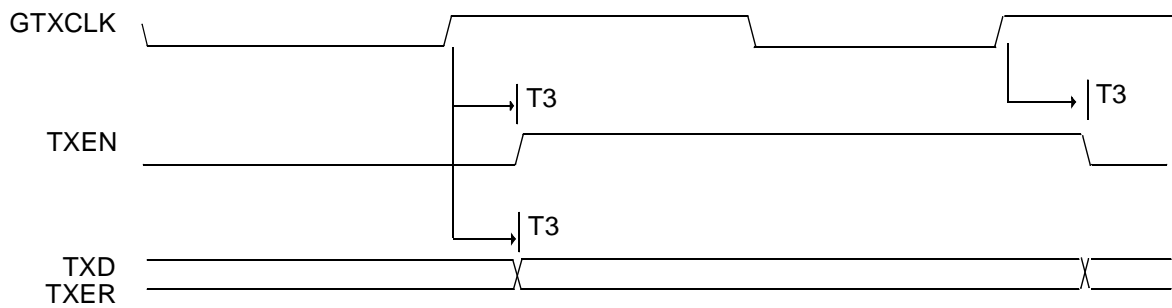
## 5.0 DC and AC Specifications (Continued)

### 5.2.9 TX MII Interface



Number	Parameter	Min	Typ	Units
5.2.9.1	TXEN/TXD Output Delay from TXCLK	2	12	ns

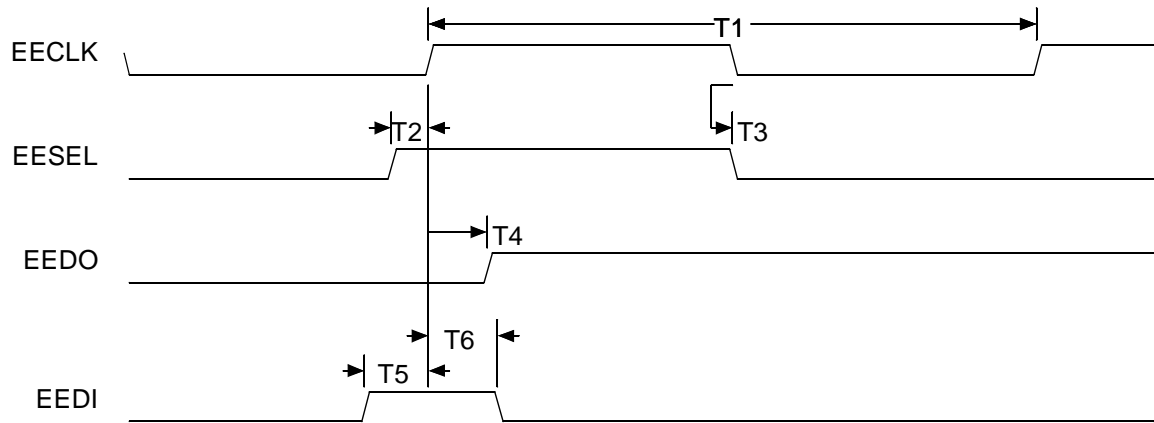
### 5.2.10 TX GMII/TBI Interface



Number	Parameter	Min	Typ	Units
5.2.10.1	TXEN/TXER/TXD Output Delay from GTXCLK	0.5	5.5	ns

## 5.0 DC and AC Specifications (Continued)

### 5.2.11 EEPROM Auto-Load

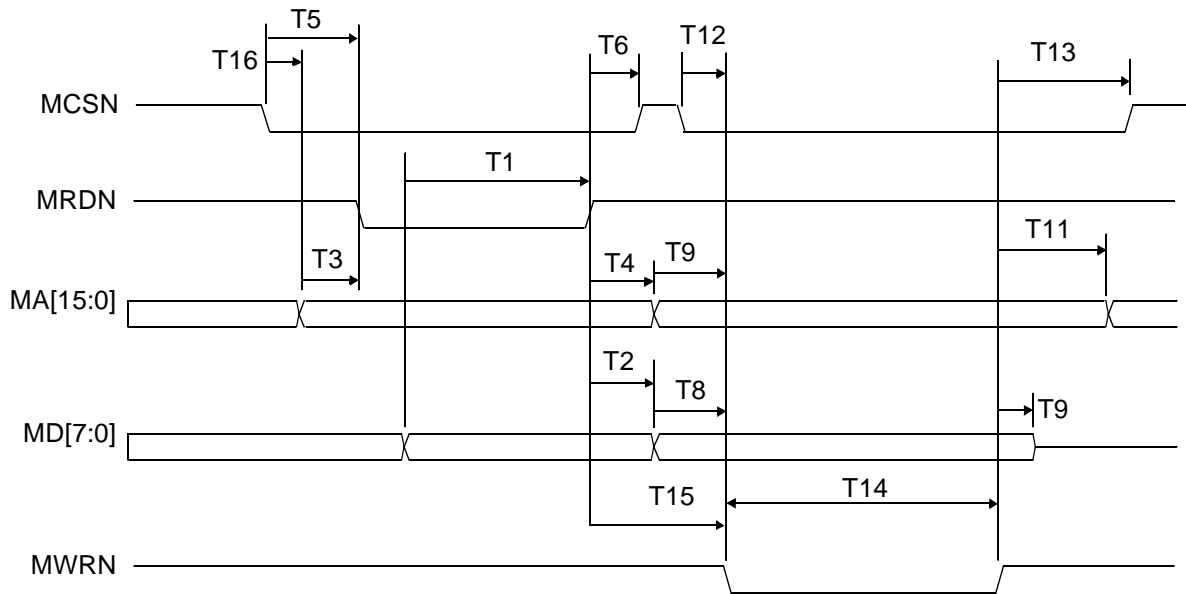


Refer to NM93C06 data sheet

Number	Parameter	Min	Typ	Units
5.2.11.1	EECLK Cycle Time	5		us
5.2.11.2	EECLK Delay from EESEL	1		us
5.2.11.3	EECLK Low to EESEL Invalid	2		us
5.2.11.4	EECLK to EEDO Valid		3500	us
5.2.11.5	EEDI Setup Time to EECLK	2		us
5.2.11.6	EEDI Hold Time from EECLK	3		us
5.2.11.7	EE Config load duration		2000	us

## 5.0 DC and AC Specifications (Continued)

### 5.2.12 Boot PROM/FLASH

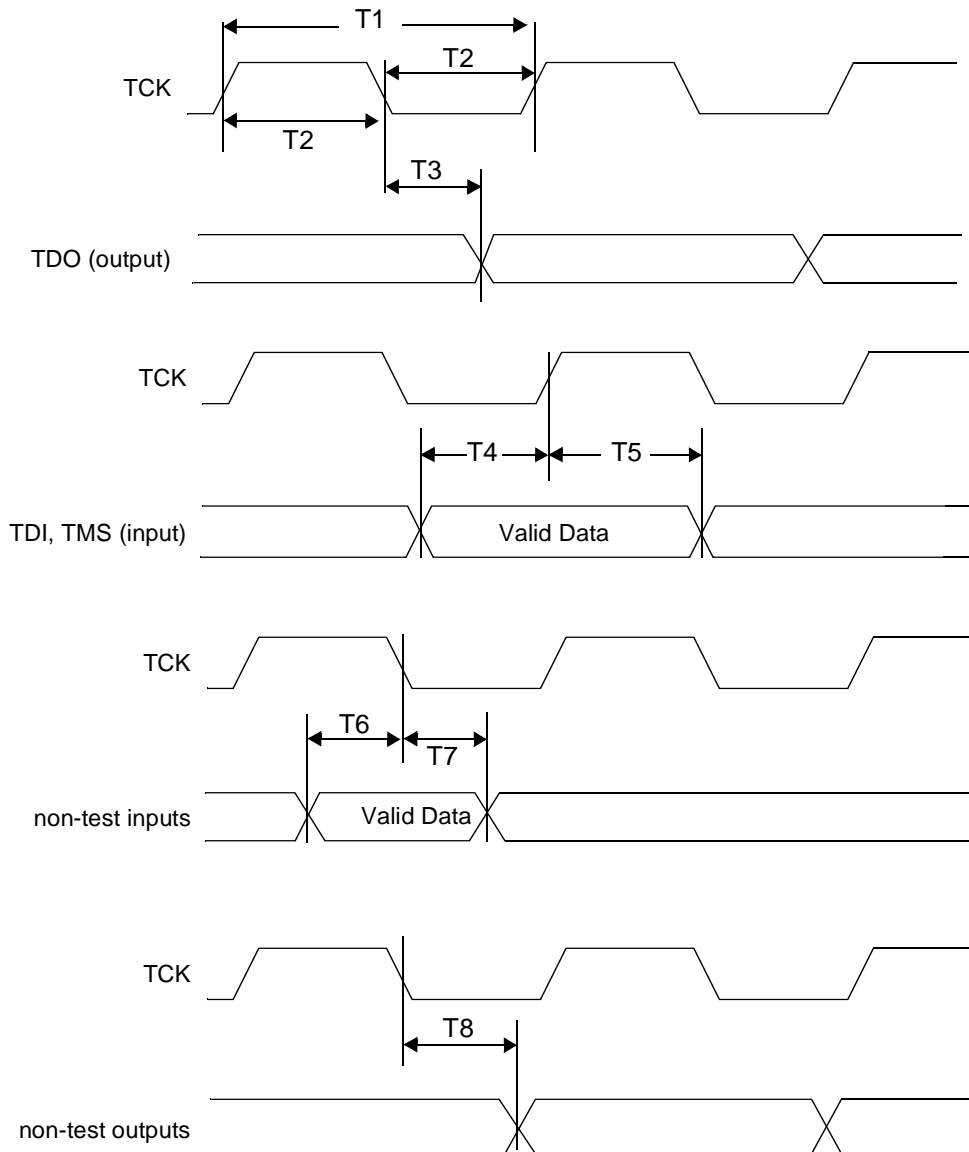


Number	Parameter	Min	Typ	Units
5.2.12.1	Data Valid to MRDN Invalid	15		ns
5.2.12.2	Data Invalid from MRDN Invalid	0		ns
5.2.12.3	Address Valid to MRDN Valid		15	ns
5.2.12.4	Address Invalid from MRDN Invalid		0	ns
5.2.12.5	MCSN Valid to MRDN Valid		15	ns
5.2.12.6	MRDN Invalid to MCSN Invalid		0	ns
5.2.12.7	MRDN Pulse Width		165	ns
5.2.12.8	Data Valid to MWRN Valid		15	ns
5.2.12.9	Data Invalid from MWRN Invalid		30	ns
5.2.12.10	Address Valid to MWRN Valid		15	ns
5.2.12.11	Address Invalid from MWRN Invalid		15	ns
5.2.12.12	MCSN Valid to MWRN Valid		15	ns
5.2.12.13	MWRN Invalid to MCSN Invalid		15	ns
5.2.12.14	MWRN Pulse Width		150	ns
5.2.12.15	MRDN Invalid to MWRN Valid	165		ns
5.2.12.16	MCSN Valid to address Valid		0	ns

Note 5: T15 is guaranteed by design.

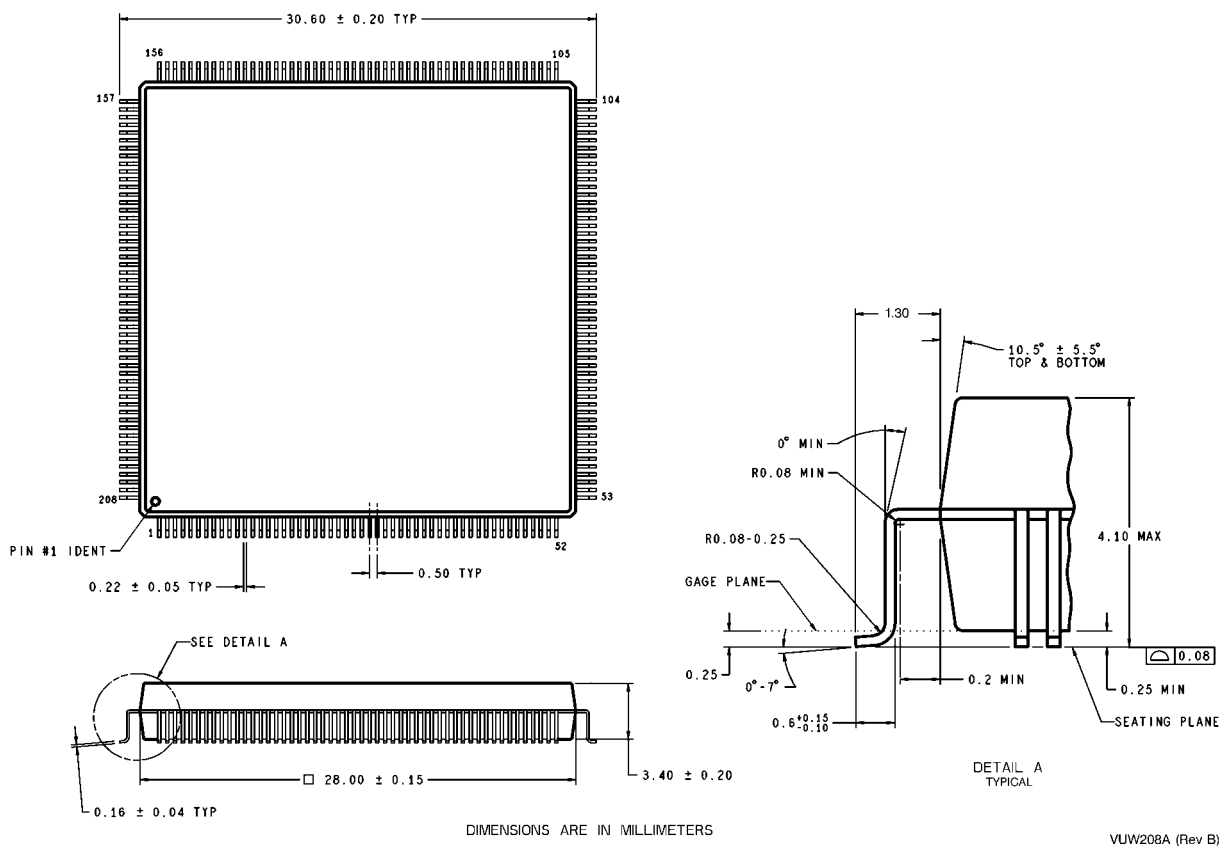
## 5.0 DC and AC Specifications (Continued)

### 5.2.13 JTAG Timing



Number	Parameter	Min	Typ	Units
5.2.13.1	TCK Period	100		ns
5.2.13.2	TCK low/high time	40		ns
5.2.13.3	TCK to TDO (Output) Delay Time	0	15	ns
5.2.13.4	TDI, TMS (Input) to TCK Setup Time	10		ns
5.2.13.5	TDI, TMS (Input) from TCK Hold Time	10		ns
5.2.13.6	non-test input Setup time to TCK	10		ns
5.2.13.7	non-test input Hold time from TCK	10		ns
5.2.13.8	TCK to non-test outputs Delay Time		15	ns

**Package Dimensions** inches (millimeters) unless otherwise noted



DIMENSIONS ARE IN MILLIMETERS

VUW208A (Rev B)

**Order Number DP83820VUW**  
**See NS Package Number NVUW208A**

**LIFE SUPPORT POLICY**

NATIONAL'S PRODUCTS ARE NOT AUTHORIZED FOR USE AS CRITICAL COMPONENTS IN LIFE SUPPORT DEVICES OR SYSTEMS WITHOUT THE EXPRESS WRITTEN APPROVAL OF THE PRESIDENT AND GENERAL COUNSEL OF NATIONAL SEMICONDUCTOR CORPORATION. As used herein:

1. Life support devices or systems are devices or systems which, (a) are intended for surgical implant into the body, or (b) support or sustain life, and whose failure to perform, when properly used in accordance with instructions for use provided in the labeling, can be reasonably expected to result in a significant injury to the user.
2. A critical component is any component of a life support device or system whose failure to perform can be reasonably expected to cause the failure of the life support device or system, or to affect its safety or effectiveness.



**National Semiconductor Corporation**  
 Tel: 1-800-272-9959  
 Fax: 1-800-737-7018  
 Email: support@nsc.com

**National Semiconductor Europe**  
 Deutsch Tel: +49 (0) 69 9508 6208  
 Fax: +49 (0) 180 530 85 86  
 English Tel: +44 (0) 87 0240 2171  
 Francais Tel: +33 (0) 1 41 91 8790  
 Email: europe.support@nsc.com

**National Semiconductor Asia Pacific Customer Response Group**  
 Tel: 65-254-4466  
 Fax: 65-250-4466  
 Email: ap.support@nsc.com

**National Semiconductor Japan Ltd.**  
 Tel: 81-3-5639-7560  
 Fax: 81-3-5639-7507

www.national.com