

# LM120,LM320

*LM120/LM320 Series 3-Terminal Negative Regulators*



Literature Number: SNVS756B

# LM120/LM320

## Series 3-Terminal Negative Regulators

### General Description

The LM120 series are three-terminal negative regulators with a fixed output voltage of  $-5V$ ,  $-12V$ , and  $-15V$ , and up to 1.5A load current capability. Where other voltages are required, the LM137 and LM137HV series provide an output voltage range of  $-1.2V$  to  $-47V$ .

The LM120 need only one external component—a compensation capacitor at the output, making them easy to apply. Worst case guarantees on output voltage deviation due to any combination of line, load or temperature variation assure satisfactory system operation.

Exceptional effort has been made to make the LM120 Series immune to overload conditions. The regulators have current limiting which is independent of temperature, combined with thermal overload protection. Internal current limiting protects against momentary faults while thermal shutdown prevents junction temperatures from exceeding safe limits during prolonged overloads.

Although primarily intended for fixed output voltage applications, the LM120 Series may be programmed for higher output voltages with a simple resistive divider. The low quiescent

drain current of the devices allows this technique to be used with good regulation.

### Features

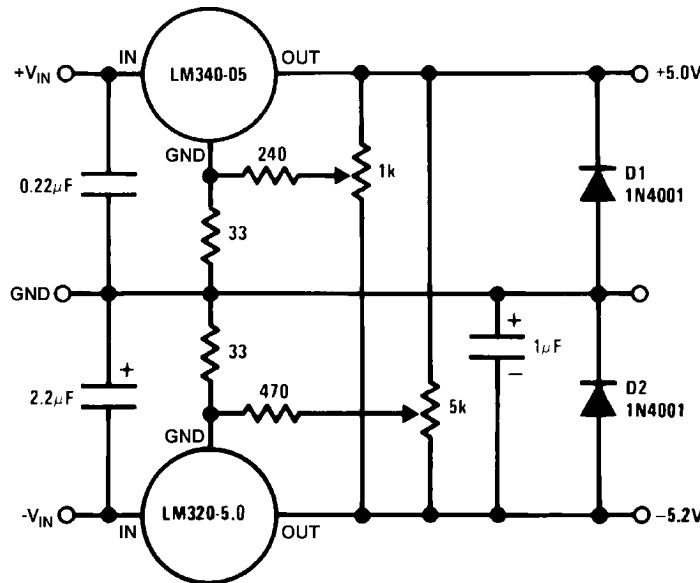
- Preset output voltage error less than  $\pm 3\%$
- Preset current limit
- Internal thermal shutdown
- Operates with input-output voltage differential down to 1V
- Excellent ripple rejection
- Low temperature drift
- Easily adjustable to higher output voltage

LM120 Series Packages and Power Capability

Device	Package	Rated Power Dissipation	Design Load Current
LM120/LM320	TO-3 (K)	20W	1.5A
	TO-39 (H)	2W	0.5A
LM320	TO-220 (T)	15W	1.5A

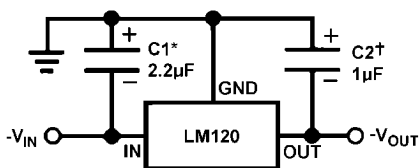
### Typical Applications

Dual Trimmed Supply



776703

Fixed Regulator



776702

\*Required if regulator is separated from filter capacitor by more than 3 inches. For value given, capacitor must be solid tantalum. 25  $\mu F$  aluminum electrolytic may be substituted.

†Required for stability. For value given, capacitor must be solid tantalum. 25  $\mu F$  aluminum electrolytic may be substituted. Values given may be increased without limit.

For output capacitance in excess of 100  $\mu F$ , a high current diode from input to output (1N4001, etc.) will protect the regulator from momentary input shorts.

## Absolute Maximum Ratings

### -5 Volt Regulators (Note 5, Note 3)

If Military/Aerospace specified devices are required, please contact the National Semiconductor Sales Office/Distributors for availability and specifications.

Power Dissipation	Internally Limited
Input Voltage	-25V
Input-Output Voltage Differential	25V
Junction Temperatures	(Note 1)
Storage Temperature Range	-65°C to +150°C
Lead Temperature	
(Soldering, 10 sec.)	300°C
Plastic	260°C

### LM120K-5.0 and LM320K-5.0 Electrical Characteristics (Note 3)

Order Numbers		Metal Can Package						Units
		LM120K-5.0 (TO-3)			LM320K-5.0 (TO-3)			
Design Output Current ( $I_D$ ) Device Dissipation ( $P_D$ )		1.5A 20W						
Parameter	Conditions (Note 1)	Min	Typ	Max	Min	Typ	Max	
Output Voltage	$T_J = 25^\circ\text{C}$ , $V_{IN} = 10\text{V}$ , $I_{LOAD} = 5\text{ mA}$	-5.1	-5	-4.9	-5.2	-5	-4.8	V
Line Regulation	$T_J = 25^\circ\text{C}$ , $I_{LOAD} = 5\text{ mA}$ , $V_{MIN} \leq V_{IN} \leq V_{MAX}$		10	25		10	40	mV
Input Voltage		-25		-7	-25		-7	V
Ripple Rejection	$f = 120\text{ Hz}$	54	64		54	64		dB
Load Regulation, (Note 2)	$T_J = 25^\circ\text{C}$ , $V_{IN} = 10\text{V}$ , $5\text{ mA} \leq I_{LOAD} \leq I_D$		50	75		60	100	mV
Output Voltage, (Note 1)	$-7.5\text{V} \leq V_{IN} \leq V_{MAX}$ , $5\text{ mA} \leq I_{LOAD} \leq I_D$ , $P \leq P_D$	-5.20		-4.80	-5.25		-4.75	V
Quiescent Current	$V_{MIN} \leq V_{IN} \leq V_{MAX}$		1	2		1	2	mA
Quiescent Current Change	$T_J = 25^\circ\text{C}$ $V_{MIN} \leq V_{IN} \leq V_{MAX}$ $5\text{ mA} \leq I_{LOAD} \leq I_D$		0.1 0.1	0.4 0.4		0.1 0.1	0.4 0.4	mA mA
Output Noise Voltage	$T_A = 25^\circ\text{C}$ , $C_L = 1\ \mu\text{F}$ , $I_L = 5\text{ mA}$ , $V_{IN} = 10\text{V}$ , $10\text{ Hz} \leq f \leq 100\text{ kHz}$		150			150		$\mu\text{V}$
Long Term Stability			5	50		5	50	mV
Thermal Resistance								
Junction to Case				3			3	$^\circ\text{C/W}$
Junction to Ambient				35			35	$^\circ\text{C/W}$

## LM120H-5.0 Electrical Characteristics (Note 3)

Order Numbers		Metal Can Package			Units
		LM120H-5.0 (TO-39)			
Design Output Current ( $I_D$ ) Device Dissipation ( $P_D$ )		0.5A 2W			
Parameter	Conditions <small>(Note 1)</small>	Min	Typ	Max	
Output Voltage	$T_J = 25^\circ\text{C}$ , $V_{IN} = 10\text{V}$ , $I_{LOAD} = 5\text{ mA}$	-5.1	-5	-4.9	V
Line Regulation	$T_J = 25^\circ\text{C}$ , $I_{LOAD} = 5\text{ mA}$ , $V_{MIN} \leq V_{IN} \leq V_{MAX}$		10	25	mV
Input Voltage		-25		-7	V
Ripple Rejection	$f = 120\text{ Hz}$	54	64		dB
Load Regulation, <small>(Note 2)</small>	$T_J = 25^\circ\text{C}$ , $V_{IN} = 10\text{V}$ , $5\text{ mA} \leq I_{LOAD} \leq I_D$		30	50	mV
Output Voltage, <small>(Note 6)</small>	$-7.5\text{V} \leq V_{IN} \leq V_{MAX}$ , $5\text{ mA} \leq I_{LOAD} \leq I_D$ , $P \leq P_D$	-5.20		-4.80	V
Quiescent Current	$V_{MIN} \leq V_{IN} \leq V_{MAX}$		1	2	mA
Quiescent Current Change	$T_J = 25^\circ\text{C}$ $V_{MIN} \leq V_{IN} \leq V_{MAX}$ $5\text{ mA} \leq I_{LOAD} \leq I_D$		0.05 0.04	0.4 0.4	mA mA
Output Noise Voltage	$T_A = 25^\circ\text{C}$ , $C_L = 1\ \mu\text{F}$ , $I_L = 5\text{ mA}$ , $V_{IN} = 10\text{V}$ , $10\text{ Hz} \leq f \leq 100\text{ kHz}$		150		$\mu\text{V}$
Long Term Stability			5		mV
Thermal Resistance Junction to Case Junction to Ambient				<small>(Note 4)</small> <small>(Note 4)</small>	$^\circ\text{C/W}$ $^\circ\text{C/W}$

**Note 1:** This specification applies over  $-55^\circ\text{C} \leq T_J \leq +150^\circ\text{C}$  for the LM120 and  $0^\circ\text{C} \leq T_J \leq +125^\circ\text{C}$  for the LM320.

**Note 2:** Regulation is measured at constant junction temperature. Changes in output voltage due to heating effects must be taken into account separately. To ensure constant junction temperature, low duty cycle, pulse testing is used. The LM120/LM320 series does have low thermal feedback, improving line and load regulation. On all other tests, even though power dissipation is internally limited, electrical specifications apply only up to  $P_D$ .

**Note 3:** For -5V 3 amp regulators, see LM145 data sheet.

**Note 4:** Thermal resistance of typically  $85^\circ\text{C/W}$  (in 400 linear feet air flow),  $224^\circ\text{C/W}$  (in static air) junction to ambient, of typically  $21^\circ\text{C/W}$  junction to case.

**Note 5:** Refer to RETS120-5H drawing for LM120H-5.0 or RETS120-5K drawing for LM120-5K military specifications.

## Absolute Maximum Ratings

### -12 Volt Regulators (Note 9)

If Military/Aerospace specified devices are required, please contact the National Semiconductor Sales Office/Distributors for availability and specifications.

Power Dissipation	Internally Limited
Input Voltage	-35V
Input-Output Voltage Differential	30V
Junction Temperatures	(Note 6)
Storage Temperature Range	-65°C to +150°C
Lead Temperature (Soldering, 10 sec.)	300°C

## LM120K-12 Electrical Characteristics

Order Numbers		Metal Can Package			Units
		LM120K-12 (TO-3)			
Design Output Current ( $I_D$ ) Device Dissipation ( $P_D$ )		1A 20W			
Parameter	Conditions (Note 6)	Min	Typ	Max	
Output Voltage	$T_J = 25^\circ\text{C}$ , $V_{IN} = 17\text{V}$ , $I_{LOAD} = 5\text{ mA}$	-12.3	-12	-11.7	V
Line Regulation	$T_J = 25^\circ\text{C}$ , $I_{LOAD} = 5\text{ mA}$ , $V_{MIN} \leq V_{IN} \leq V_{MAX}$		4	10	mV
Input Voltage		-32		-14	V
Ripple Rejection	$f = 120\text{ Hz}$	56	80		dB
Load Regulation, (Note 7)	$T_J = 25^\circ\text{C}$ , $V_{IN} = 17\text{V}$ , $5\text{ mA} \leq I_{LOAD} \leq I_D$		30	80	mV
Output Voltage, (Note 6)	$14.5\text{V} \leq V_{IN} \leq V_{MAX}$ , $5\text{ mA} \leq I_{LOAD} \leq I_D$ , $P \leq P_D$	-12.5		-11.5	V
Quiescent Current	$V_{MIN} \leq V_{IN} \leq V_{MAX}$		2	4	mA
Quiescent Current Change	$T_J = 25^\circ\text{C}$ $V_{MIN} \leq V_{IN} \leq V_{MAX}$ $5\text{ mA} \leq I_{LOAD} \leq I_D$		0.1 0.1	0.4 0.4	mA mA
Output Noise Voltage	$T_A = 25^\circ\text{C}$ , $C_L = 1\ \mu\text{F}$ , $I_L = 5\text{ mA}$ , $V_{IN} = 17\text{V}$ , $10\text{ Hz} \leq f \leq 100\text{ kHz}$		400		$\mu\text{V}$
Long Term Stability			12	120	mV
Thermal Resistance					
Junction to Case				3	$^\circ\text{C/W}$
Junction to Ambient				35	$^\circ\text{C/W}$

## LM120H-12 Electrical Characteristics

Order Numbers		Metal Can Package			Units
		LM120H-12 (TO-39)			
Design Output Current ( $I_D$ ) Device Dissipation ( $P_D$ )		0.2A 2W			
Parameter	Conditions (Note 6)	Min	Typ	Max	
Output Voltage	$T_J = 25^\circ\text{C}$ , $V_{IN} = 17\text{V}$ , $I_{LOAD} = 5\text{ mA}$	-12.3	-12	-11.7	V
Line Regulation	$T_J = 25^\circ\text{C}$ , $I_{LOAD} = 5\text{ mA}$ , $V_{MIN} \leq V_{IN} \leq V_{MAX}$		4	10	mV
Input Voltage		-32		-14	V
Ripple Rejection	$f = 120\text{ Hz}$	56	80		dB
Load Regulation, (Note 7)	$T_J = 25^\circ\text{C}$ , $V_{IN} = 17\text{V}$ , $5\text{ mA} \leq I_{LOAD} \leq I_D$		10	25	mV
Output Voltage, (Note 6)	$14.5\text{V} \leq V_{IN} \leq V_{MAX}$ , $5\text{ mA} \leq I_{LOAD} \leq I_D$ , $P \leq P_D$	-12.5		-11.5	V
Quiescent Current	$V_{MIN} \leq V_{IN} \leq V_{MAX}$		2	4	mA
Quiescent Current Change	$T_J = 25^\circ\text{C}$ $V_{MIN} \leq V_{IN} \leq V_{MAX}$ $5\text{ mA} \leq I_{LOAD} \leq I_D$		0.05 0.03	0.4 0.4	mA mA
Output Noise Voltage	$T_A = 25^\circ\text{C}$ , $C_L = 1\ \mu\text{F}$ , $I_L = 5\text{ mA}$ , $V_{IN} = 17\text{V}$ , $10\text{ Hz} \leq f \leq 100\text{ kHz}$		400		$\mu\text{V}$
Long Term Stability			12	120	mV
Thermal Resistance Junction to Case				(Note 8)	$^\circ\text{C/W}$
Junction to Ambient				(Note 8)	$^\circ\text{C/W}$

## LM320T-12 Electrical Characteristics

Order Numbers		Power Plastic Package			Units
		LM320T-12 (TO-220)			
Design Output Current ( $I_D$ ) Device Dissipation ( $P_D$ )		1A 15W			
Parameter	Conditions (Note 6)	Min	Typ	Max	
Output Voltage	$T_J = 25^\circ\text{C}$ , $V_{IN} = 17\text{V}$ , $I_{LOAD} = 5\text{ mA}$	-12.4	-12	-11.6	V
Line Regulation	$T_J = 25^\circ\text{C}$ , $I_{LOAD} = 5\text{ mA}$ , $V_{MIN} \leq V_{IN} \leq V_{MAX}$		4	20	mV
Input Voltage		-32		-14.5	V
Ripple Rejection	$f = 120\text{ Hz}$	56	80		dB
Load Regulation, (Note 7)	$T_J = 25^\circ\text{C}$ , $V_{IN} = 17\text{V}$ , $5\text{ mA} \leq I_{LOAD} \leq I_D$		30	80	mV
Output Voltage, (Note 6)	$14.5\text{V} \leq V_{IN} \leq V_{MAX}$ , $5\text{ mA} \leq I_{LOAD} \leq I_D$ , $P \leq P_D$	-12.6		-11.4	V
Quiescent Current	$V_{MIN} \leq V_{IN} \leq V_{MAX}$		2	4	mA
Quiescent Current Change	$T_J = 25^\circ\text{C}$ $V_{MIN} \leq V_{IN} \leq V_{MAX}$ $5\text{ mA} \leq I_{LOAD} \leq I_D$		0.1 0.1	0.4 0.4	mA mA
Output Noise Voltage	$T_A = 25^\circ\text{C}$ , $C_L = 1\text{ }\mu\text{F}$ , $I_L = 5\text{ mA}$ , $V_{IN} = 17\text{V}$ , $10\text{ Hz} \leq f \leq 100\text{ kHz}$		400		$\mu\text{V}$
Long Term Stability			24		mV
Thermal Resistance					
Junction to Case			4		$^\circ\text{C/W}$
Junction to Ambient			50		$^\circ\text{C/W}$

**Note 6:** This specification applies over  $-55^\circ\text{C} \leq T_J \leq +150^\circ\text{C}$  for the LM120 and  $0^\circ\text{C} \leq T_J \leq +125^\circ\text{C}$  for the LM320.

**Note 7:** Regulation is measured at constant junction temperature. Changes in output voltage due to heating effects must be taken into account separately. To ensure constant junction temperature, low duty cycle, pulse testing is used. The LM120/LM320 series does have low thermal feedback, improving line and load regulation. On all other tests, even though power dissipation is internally limited, electrical specifications apply only up to  $P_D$ .

**Note 8:** Thermal resistance of typically  $85^\circ\text{C/W}$  (in 400 linear feet/min air flow),  $224^\circ\text{C/W}$  (in static air) junction to ambient, of typically  $21^\circ\text{C/W}$  junction to case.

**Note 9:** Refer to RETS120H-12 drawing for LM120H-12 or RETS120-12K drawing for LM120K-12 military specifications.

## Absolute Maximum Ratings

### -15 Volt Regulators (Note 13)

If Military/Aerospace specified devices are required, please contact the National Semiconductor Sales Office/ Distributors for availability and specifications.

Power Dissipation	Internally Limited
Input Voltage	
LM120/LM320	-40V
LM320T	-35V
Input-Output Voltage Differential	30V
Junction Temperatures	(Note 10)
Storage Temperature Range	-65°C to +150°C
Lead Temperature	
(Soldering, 10 sec.)	300°C

## LM120K-15 and LM320K-15 Electrical Characteristics

Order Numbers		Metal Can Package						Units
		LM120K-15 (TO-3)			LM320K-15 (TO-3)			
Design Output Current ( $I_D$ )		1A						
Device Dissipation ( $P_D$ )		20W						
Parameter	Conditions (Note 10)	Min	Typ	Max	Min	Typ	Max	
Output Voltage	$T_J = 25^\circ\text{C}$ , $V_{IN} = 20\text{V}$ , $I_{LOAD} = 5\text{ mA}$	-15.3	-15	-14.7	-15.4	-15	-14.6	V
Line Regulation	$T_J = 25^\circ\text{C}$ , $I_{LOAD} = 5\text{ mA}$ , $V_{MIN} \leq V_{IN} \leq V_{MAX}$		5	10		5	20	mV
Input Voltage		-35		-17	-35		-17	V
Ripple Rejection	$f = 120\text{ Hz}$	56	80		56	80		dB
Load Regulation, (Note 11)	$T_J = 25^\circ\text{C}$ , $V_{IN} = 20\text{V}$ , $5\text{ mA} \leq I_{LOAD} \leq I_D$		30	80		30	80	mV
Output Voltage, (Note 10)	$17.5\text{V} \leq V_{IN} \leq V_{MAX}$ , $5\text{ mA} \leq I_{LOAD} \leq I_D$ , $P \leq P_D$	-15.5		-14.5	-15.6		-14.4	V
Quiescent Current	$V_{MIN} \leq V_{IN} \leq V_{MAX}$		2	4		2	4	mA
Quiescent Current Change	$T_J = 25^\circ\text{C}$ $V_{MIN} \leq V_{IN} \leq V_{MAX}$ $5\text{ mA} \leq I_{LOAD} \leq I_D$		0.1	0.4		0.1	0.4	mA
Output Noise Voltage	$T_A = 25^\circ\text{C}$ , $C_L = 1\text{ }\mu\text{F}$ , $I_L = 5\text{ mA}$ , $V_{IN} = 20\text{V}$ , $10\text{ Hz} \leq f \leq 100\text{ kHz}$		400			400		$\mu\text{V}$
Long Term Stability			15	150		15	150	mV
Thermal Resistance								
Junction to Case				3			3	$^\circ\text{C/W}$
Junction to Ambient				35			35	$^\circ\text{C/W}$



## LM120H-15 Electrical Characteristics

Order Numbers		Metal Can Package			Units
		LM120H-15 (TO-39)			
Design Output Current ( $I_D$ ) Device Dissipation ( $P_D$ )		0.2A 2W			
Parameter	Conditions (Note 10)	Min	Typ	Max	
Output Voltage	$T_J = 25^\circ\text{C}$ , $V_{IN} = 20\text{V}$ , $I_{LOAD} = 5\text{ mA}$	-15.3	-15	-14.7	V
Line Regulation	$T_J = 25^\circ\text{C}$ , $I_{LOAD} = 5\text{ mA}$ , $V_{MIN} \leq V_{IN} \leq V_{MAX}$		5	10	mV
Input Voltage		-35		-17	V
Ripple Rejection	$f = 120\text{ Hz}$	56	80		dB
Load Regulation, (Note 11)	$T_J = 25^\circ\text{C}$ , $V_{IN} = 20\text{V}$ , $5\text{ mA} \leq I_{LOAD} \leq I_D$		10	25	mV
Output Voltage, (Note 10)	$17.5\text{V} \leq V_{IN} \leq V_{MAX}$ , $5\text{ mA} \leq I_{LOAD} \leq I_D$ , $P \leq P_D$	-15.5		-14.5	V
Quiescent Current	$V_{MIN} \leq V_{IN} \leq V_{MAX}$		2	4	mA
Quiescent Current Change	$T_J = 25^\circ\text{C}$ $V_{MIN} \leq V_{IN} \leq V_{MAX}$ $5\text{ mA} \leq I_{LOAD} \leq I_D$		0.05 0.03	0.4 0.4	mA mA
Output Noise Voltage	$T_A = 25^\circ\text{C}$ , $C_L = 1\text{ }\mu\text{F}$ , $I_L = 5\text{ mA}$ , $V_{IN} = 20\text{V}$ , $10\text{ Hz} \leq f \leq 100\text{ kHz}$		400		$\mu\text{V}$
Long Term Stability			15	150	mV
Thermal Resistance Junction to Case				(Note 12)	$^\circ\text{C/W}$
Junction to Ambient				(Note 12)	$^\circ\text{C/W}$

## LM320T-15 Electrical Characteristics

Order Numbers		Power Plastic Package			Units
		LM320T-15 (TO-220)			
Design Output Current ( $I_D$ ) Device Dissipation ( $P_D$ )		1A 15W			
Parameter	Conditions (Note 10)	Min	Typ	Max	
Output Voltage	$T_J = 25^\circ\text{C}$ , $V_{IN} = 20\text{V}$ , $I_{LOAD} = 5\text{ mA}$	-15.5	-15	-14.5	V
Line Regulation	$T_J = 25^\circ\text{C}$ , $I_{LOAD} = 5\text{ mA}$ , $V_{MIN} \leq V_{IN} \leq V_{MAX}$		5	20	mV
Input Voltage		-35		-17.5	V
Ripple Rejection	$f = 120\text{ Hz}$	56	80		dB
Load Regulation, (Note 11)	$T_J = 25^\circ\text{C}$ , $V_{IN} = 20\text{V}$ , $5\text{ mA} \leq I_{LOAD} \leq I_D$		30	80	mV
Output Voltage, (Note 10)	$17.5\text{V} \leq V_{IN} \leq V_{MAX}$ , $5\text{ mA} \leq I_{LOAD} \leq I_D$ , $P \leq P_D$	-15.7		-14.3	V
Quiescent Current	$V_{MIN} \leq V_{IN} \leq V_{MAX}$		2	4	mA
Quiescent Current Change	$T_J = 25^\circ\text{C}$ $V_{MIN} \leq V_{IN} \leq V_{MAX}$ $5\text{ mA} \leq I_{LOAD} \leq I_D$		0.1 0.1	0.4 0.4	mA mA
Output Noise Voltage	$T_A = 25^\circ\text{C}$ , $C_L = 1\text{ }\mu\text{F}$ , $I_L = 5\text{ mA}$ , $V_{IN} = 20\text{V}$ , $10\text{ Hz} \leq f \leq 100\text{ kHz}$		400		$\mu\text{V}$
Long Term Stability			30		mV
Thermal Resistance					
Junction to Case			4		$^\circ\text{C/W}$
Junction to Ambient			50		$^\circ\text{C/W}$

**Note 10:** This specification applies over  $-55^\circ\text{C} \leq T_J \leq +150^\circ\text{C}$  for the LM120 and  $0^\circ\text{C} \leq T_J \leq +125^\circ\text{C}$  for the LM320.

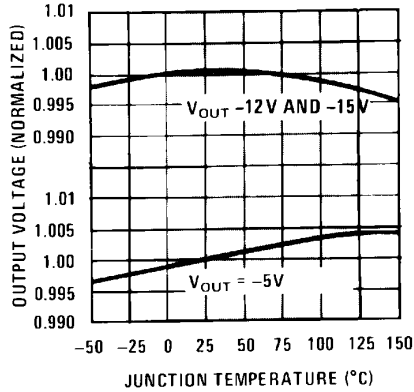
**Note 11:** Regulation is measured at constant junction temperature. Changes in output voltage due to heating effects must be taken into account separately. To ensure constant junction temperature, low duty cycle, pulse testing is used. The LM120/LM320 series does have low thermal feedback, improving line and load regulation. On all other tests, even though power dissipation is internally limited, electrical specifications apply only up to  $P_D$ .

**Note 12:** Thermal resistance of typically  $85^\circ\text{C/W}$  (in 400 linear feet/min air flow),  $224^\circ\text{C/W}$  (in static air) junction to ambient, of typically  $21^\circ\text{C/W}$  junction to case.

**Note 13:** Refer to RETS120-15H drawing for LM120H-15 or RETS120-15K drawing for LM120K-15 military specifications.

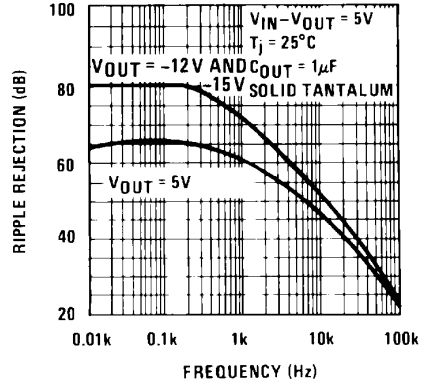
# Typical Performance Characteristics

**Output Voltage vs Temperature**



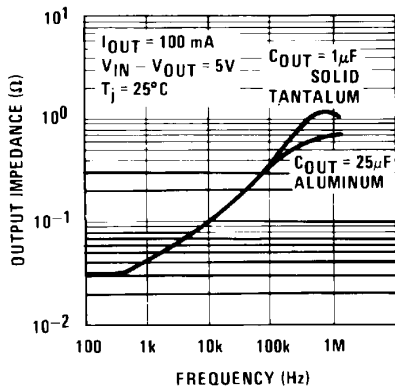
776720

**Ripple Rejection (All Types)**



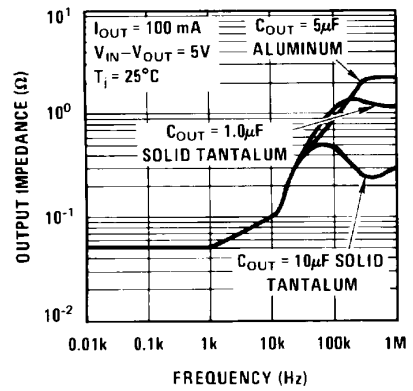
776721

**Output Impedance TO-3 and TO-220 Packages**



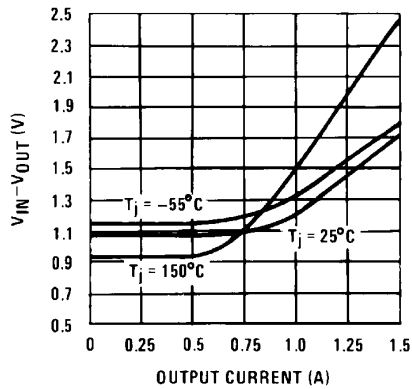
776722

**Output Impedance TO-5 and TO-202 Packages**



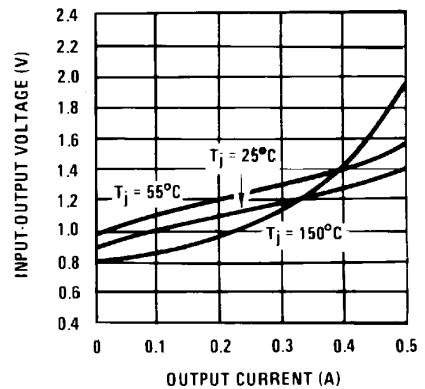
776723

**Minimum Input-Output Differential TO-3 and TO-220 Packages**



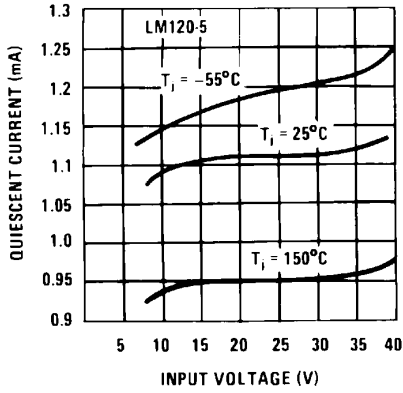
776724

**Minimum Input-Output Differential TO-5 and TO-202 Packages**



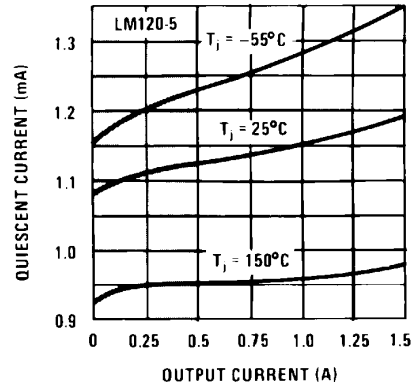
776725

Quiescent Current vs Input Voltage



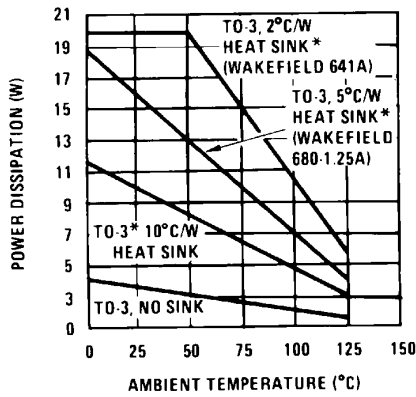
776726

Quiescent Current vs Load Current



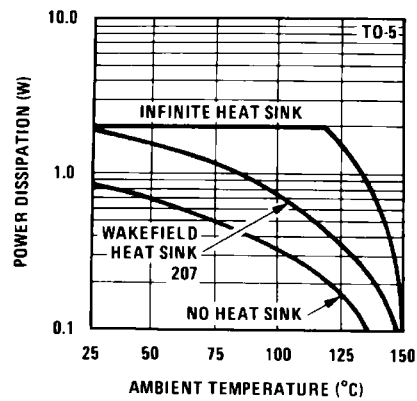
776727

Maximum Average Power Dissipation (TO-3)



776728

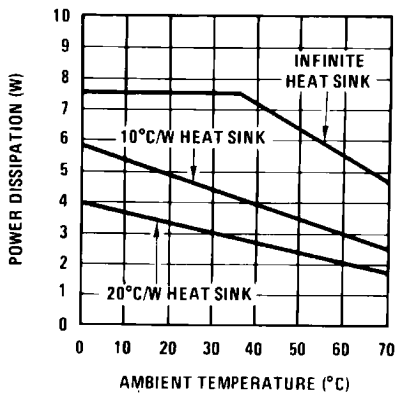
Maximum Average Power Dissipation (TO-5)



776729

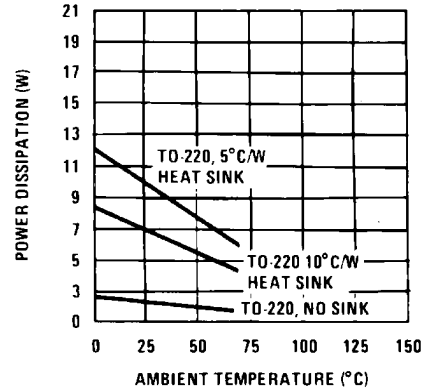
\*These curves for LM120. Derate 25°C further for LM320.

Maximum Average Power Dissipation (TO-202)

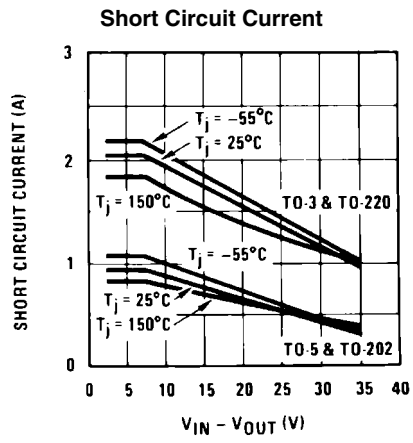


776730

Maximum Average Power Dissipation (TO-220)

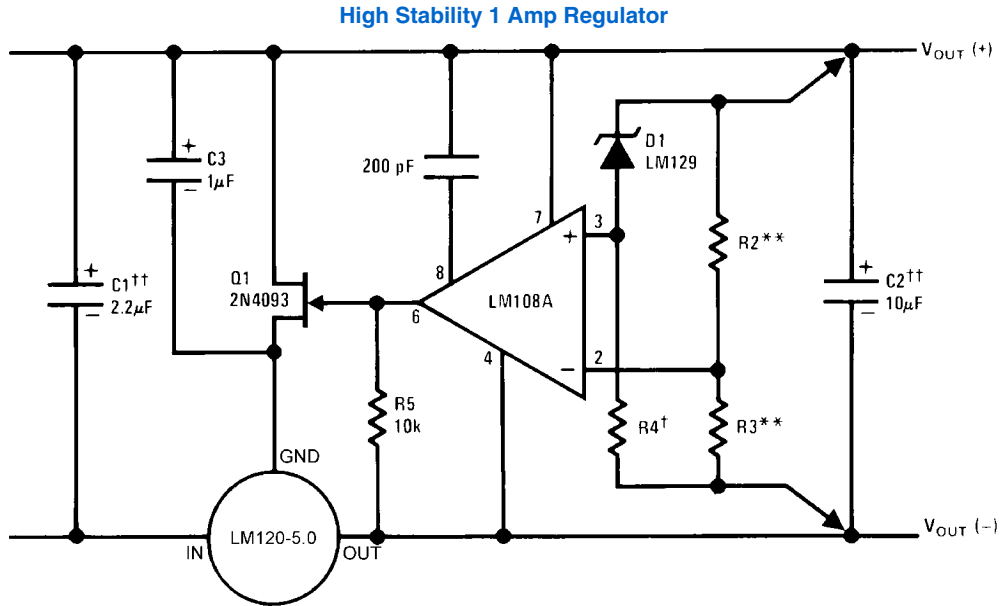


776731



776732

## Typical Applications



776706

Lead and line regulation — 0.01% temperature stability — 0.2%

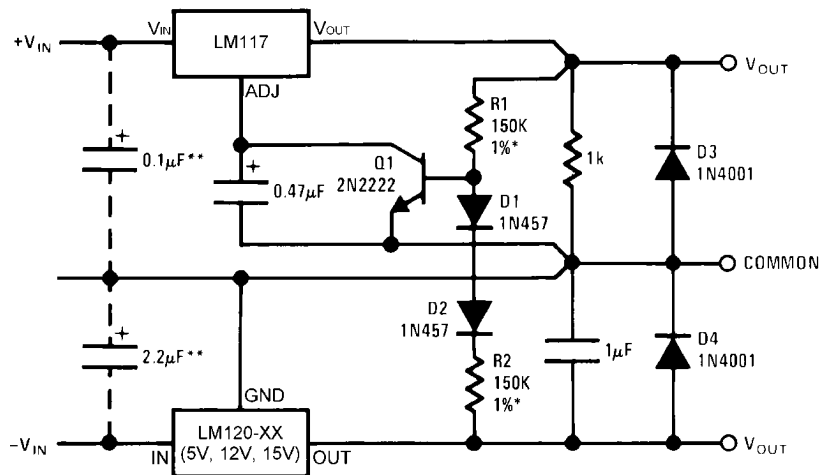
†Determines Zener current.

††Solid tantalum.

An LM120-12 or LM120-15 may be used to permit higher input voltages, but the regulated output voltage must be at least  $-15\text{V}$  when using the LM120-12 and  $-18\text{V}$  for the LM120-15.

\*\*Select resistors to set output voltage. 2 ppm/ $^{\circ}\text{C}$  tracking suggested.

### Wide Range Tracking Regulator



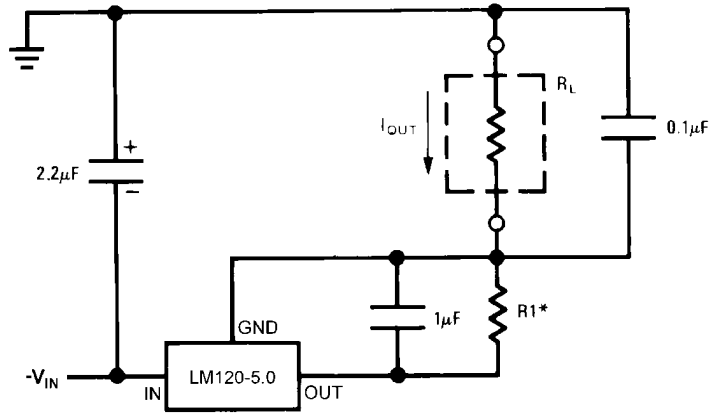
776707

\*Resistor tolerance of R1 and R2 determine matching of (+) and (-) inputs.

\*\*Necessary only if raw supply capacitors are more than 3 from regulators

An LM3086N array may substitute for Q1, D1 and D2 for better stability and tracking. In the array diode transistors Q5 and Q4 (in parallel) make up D2; similarly, Q1 and Q2 become D1 and Q3 replaces the 2N2222.

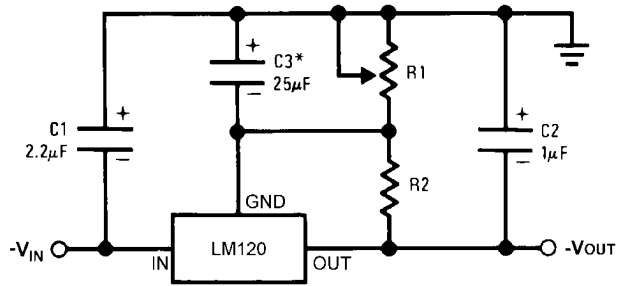
**Current Source**



776708

$$*I_{OUT} = 1 \text{ mA} + \frac{5.0\text{V}}{R1}$$

**Variable Output Current Source**



776709

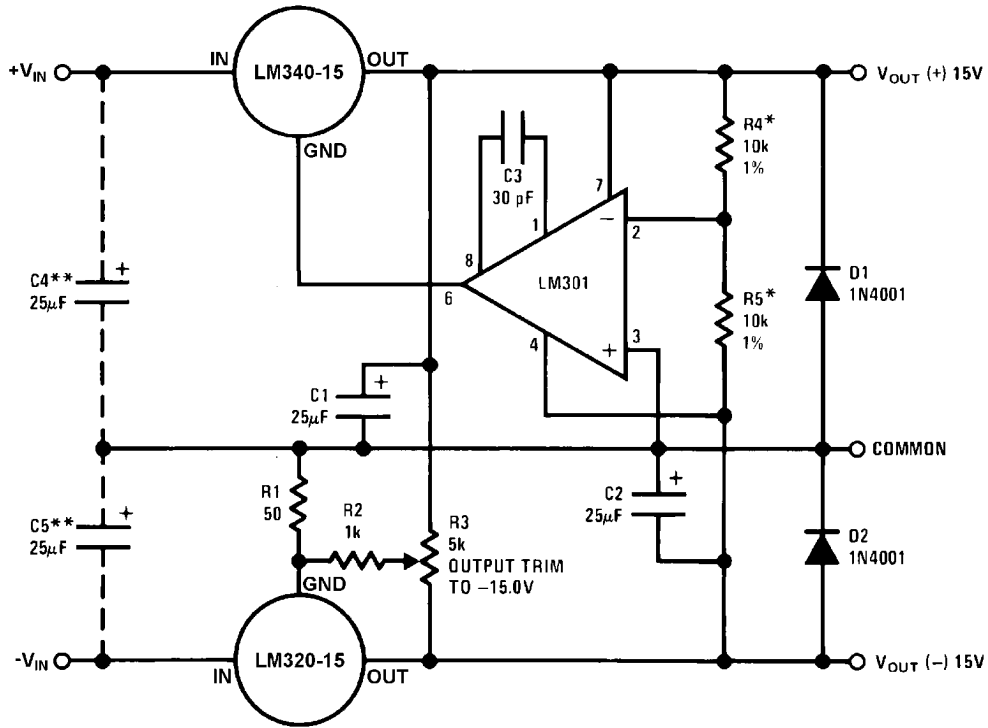
**SELECT R2 AS FOLLOWS:**

LM120-5	300Ω
LM120-12	750Ω
LM120-15	1k

$$V_{OUT} = V_{SET} \frac{R1 + R2}{R2}$$

\*C3 optional. Improves transient response and ripple rejection.

±15V, 1 Amp Tracking Regulators



776712

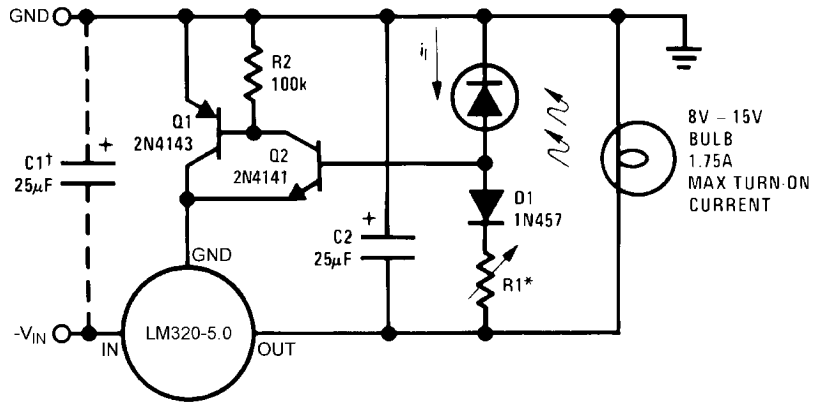
**Performance (Typical)**

Load Regulation at $\Delta I_L = 1A$	10 mV	1 mV
Output Ripple, $C_{IN} = 3000 \mu F$ , $I_L = 1A$	100 $\mu V_{rms}$	100 $\mu V_{rms}$
Temperature Stability	+50 mV	+50 mV
Output Noise $10 Hz \leq f \leq 10 kHz$	150 $\mu V_{rms}$	150 $\mu V_{rms}$

\*Resistor tolerance of R4 and R5 determine matching of (+) and (-) outputs.  
 \*\*Necessary only if raw supply filter capacitors are more than 2 inches from regulators.



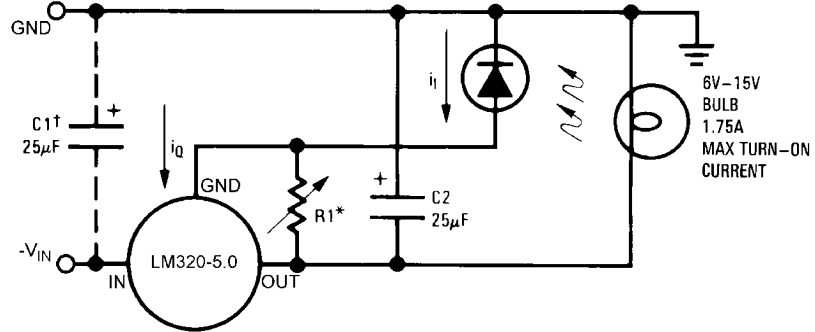
## Light Controllers Using Silicon Photo Cells



\*Lamp brightness increases until  $i_l = 5V/R1$  ( $i_l$  can be set as low as  $1 \mu A$ ).

†Necessary only if raw supply filter capacitor is more than 2 inches from LM320MP.

776710

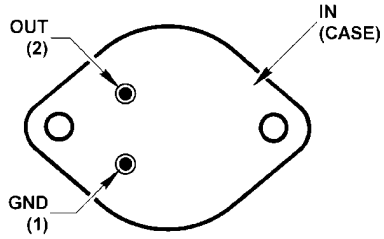


\*Lamp brightness increases until  $i_l = i_q (1 \text{ mA}) + 5V/R1$ .

†Necessary only if raw supply filter capacitor is more than 2 inches from LM320.

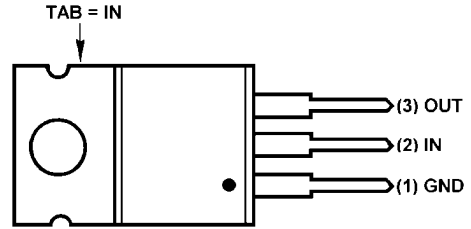
776711

## Connection Diagrams



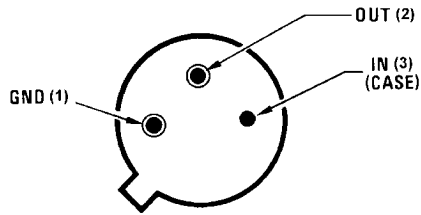
776714

**Bottom View**  
**Steel Metal Can Package TO-3 (K)**  
**Order Number LM120K-5.0/883, LM120K-12/883,**  
**LM120K-15/883, LM320K-5.0, LM320K-15**  
**See NS Package Number K02A**



776717

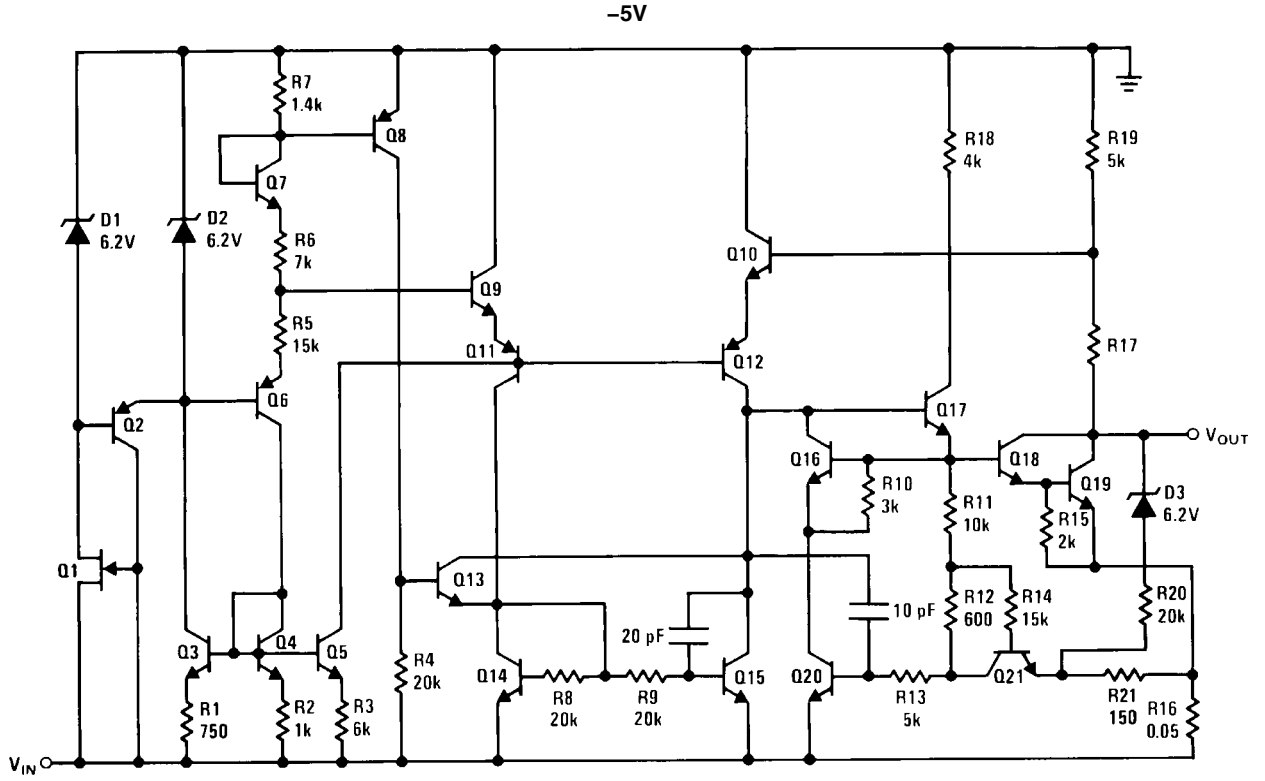
**Front View**  
**Power Package TO-220 (T)**  
**Order Number LM320T-12 or LM320T-15**  
**See NS Package Number T03B**



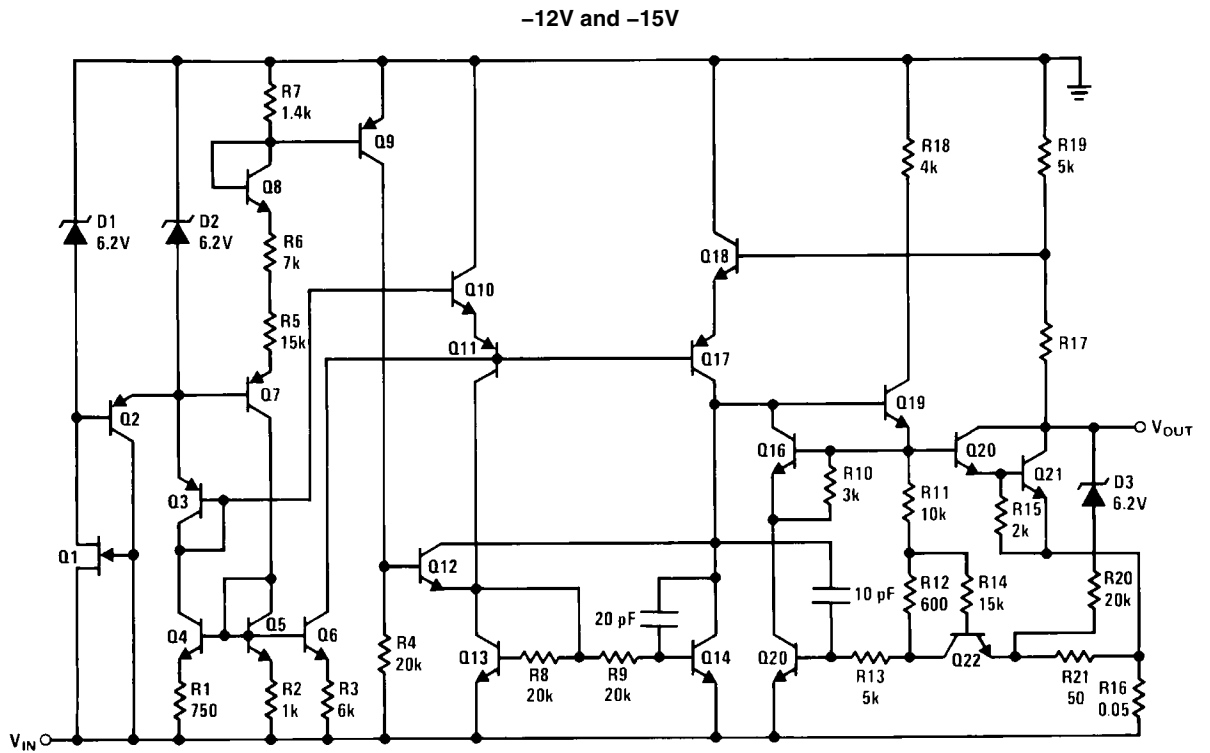
776713

**Bottom View**  
**Metal Can Package TO-39 (H)**  
**Order Number LM120H-5.0, LM120H-12, LM120H-15,**  
**LM120H-5.0/883, LM120H-12/883, LM120H-15/883**  
**See NS Package Number H03A**

Schematic Diagrams

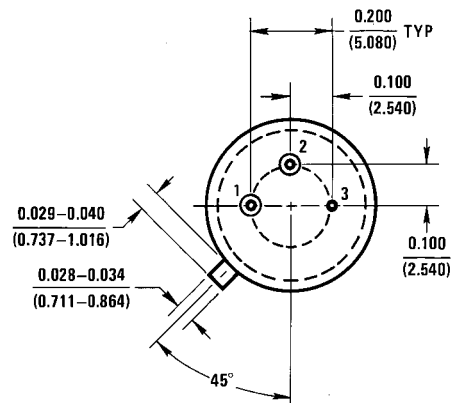
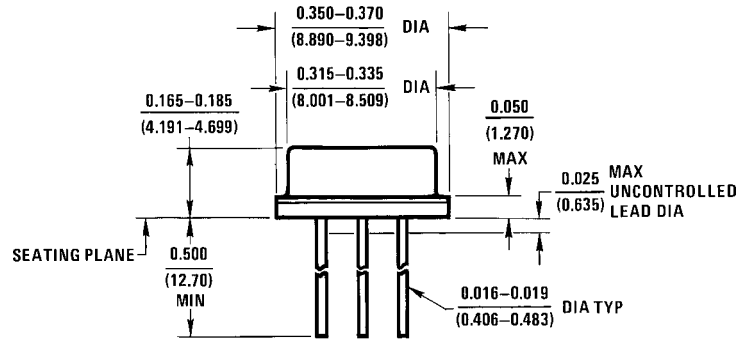


776718



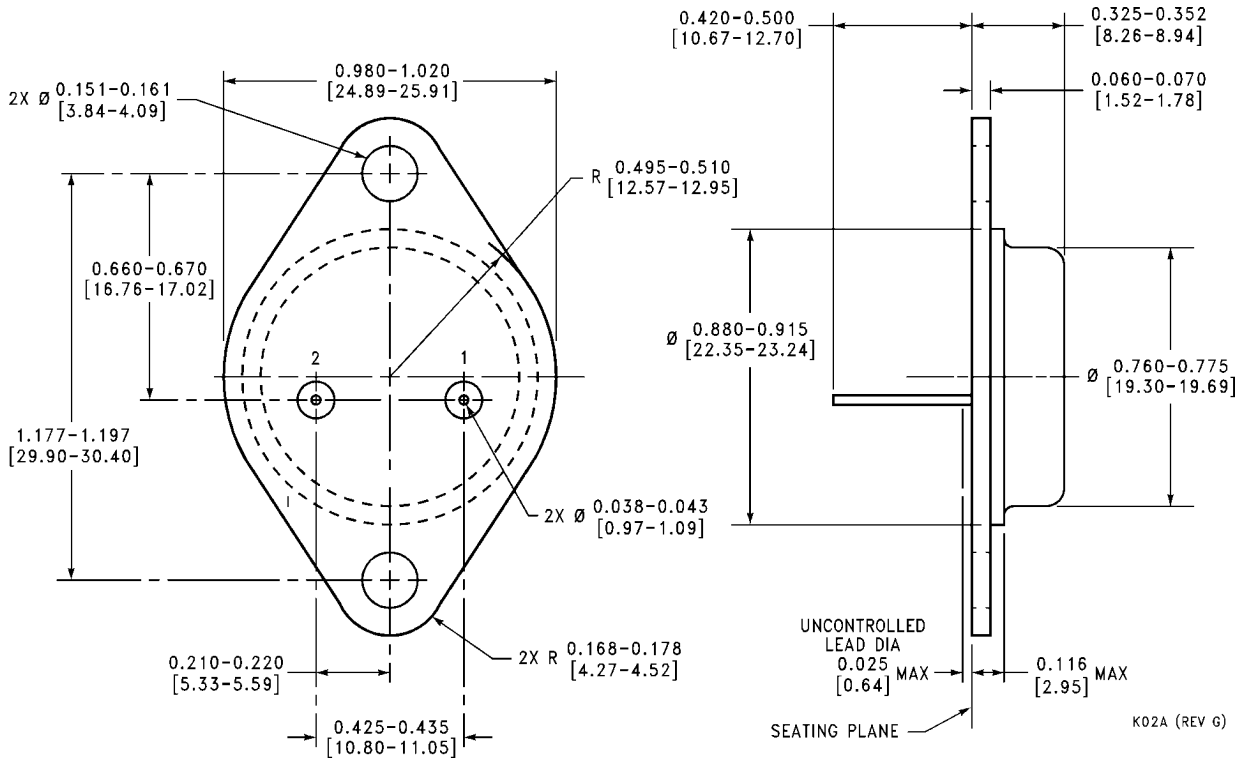
776719

# Physical Dimensions inches (millimeters) unless otherwise noted



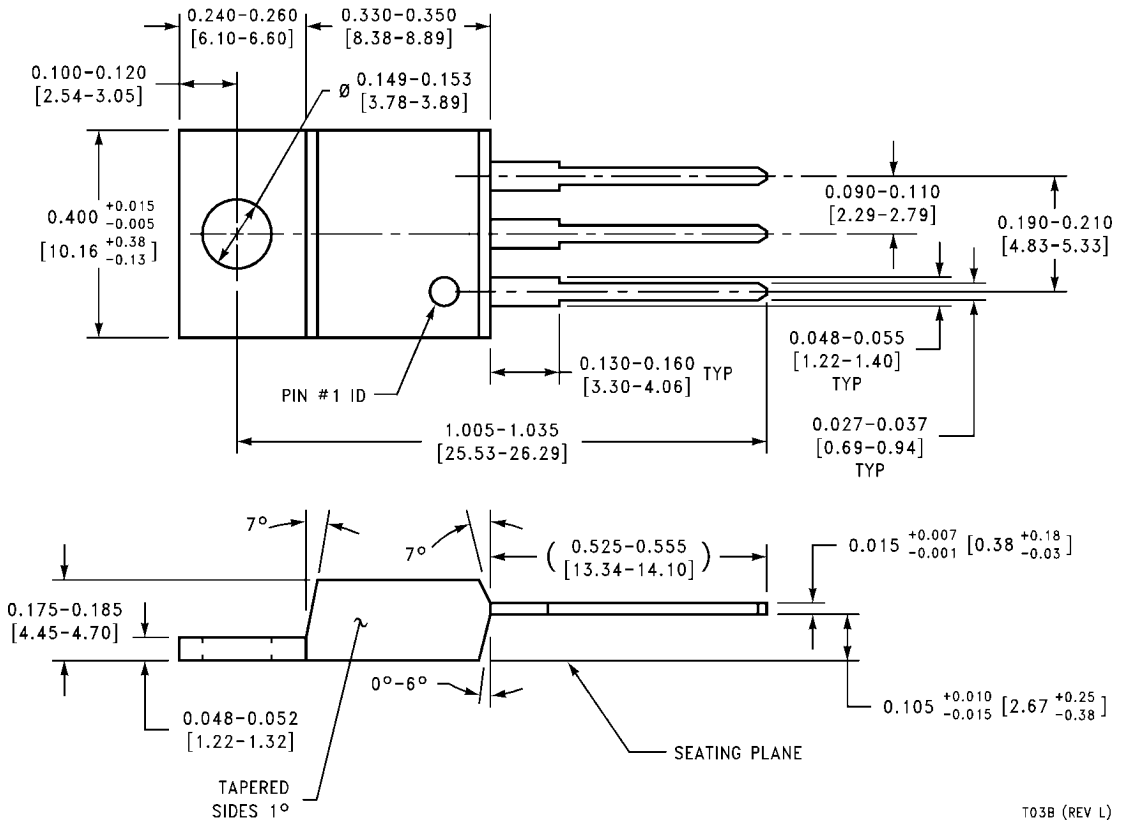
H03A (REV B)

**Metal Can Package (TO-39) (H)**  
**Order Number LM120H-5.0, LM120H-12, LM120H-15**  
**NS Package Number H03A**



**Steel Metal Can Package TO-3 (K)**  
**Order Number LM120K-5.0, LM120K-12, LM120K-15, LM320K-5.0, LM320K-15**  
**NS Package Number K02A**

K02A (REV G)



**Power Package TO-220 (T)**  
**Order Number LM320T-12 or LM320T-15**  
**NS Package Number T03B**

T03B (REV L)

# Notes

## Notes

For more National Semiconductor product information and proven design tools, visit the following Web sites at:  
[www.national.com](http://www.national.com)

Products		Design Support	
Amplifiers	<a href="http://www.national.com/amplifiers">www.national.com/amplifiers</a>	WEBENCH® Tools	<a href="http://www.national.com/webench">www.national.com/webench</a>
Audio	<a href="http://www.national.com/audio">www.national.com/audio</a>	App Notes	<a href="http://www.national.com/appnotes">www.national.com/appnotes</a>
Clock and Timing	<a href="http://www.national.com/timing">www.national.com/timing</a>	Reference Designs	<a href="http://www.national.com/refdesigns">www.national.com/refdesigns</a>
Data Converters	<a href="http://www.national.com/adc">www.national.com/adc</a>	Samples	<a href="http://www.national.com/samples">www.national.com/samples</a>
Interface	<a href="http://www.national.com/interface">www.national.com/interface</a>	Eval Boards	<a href="http://www.national.com/evalboards">www.national.com/evalboards</a>
LVDS	<a href="http://www.national.com/lvds">www.national.com/lvds</a>	Packaging	<a href="http://www.national.com/packaging">www.national.com/packaging</a>
Power Management	<a href="http://www.national.com/power">www.national.com/power</a>	Green Compliance	<a href="http://www.national.com/quality/green">www.national.com/quality/green</a>
Switching Regulators	<a href="http://www.national.com/switchers">www.national.com/switchers</a>	Distributors	<a href="http://www.national.com/contacts">www.national.com/contacts</a>
LDOs	<a href="http://www.national.com/ldo">www.national.com/ldo</a>	Quality and Reliability	<a href="http://www.national.com/quality">www.national.com/quality</a>
LED Lighting	<a href="http://www.national.com/led">www.national.com/led</a>	Feedback/Support	<a href="http://www.national.com/feedback">www.national.com/feedback</a>
Voltage References	<a href="http://www.national.com/vref">www.national.com/vref</a>	Design Made Easy	<a href="http://www.national.com/easy">www.national.com/easy</a>
PowerWise® Solutions	<a href="http://www.national.com/powerwise">www.national.com/powerwise</a>	Applications & Markets	<a href="http://www.national.com/solutions">www.national.com/solutions</a>
Serial Digital Interface (SDI)	<a href="http://www.national.com/sdi">www.national.com/sdi</a>	Mil/Aero	<a href="http://www.national.com/milaero">www.national.com/milaero</a>
Temperature Sensors	<a href="http://www.national.com/tempensors">www.national.com/tempensors</a>	SolarMagic™	<a href="http://www.national.com/solarmagic">www.national.com/solarmagic</a>
PLL/VCO	<a href="http://www.national.com/wireless">www.national.com/wireless</a>	PowerWise® Design University	<a href="http://www.national.com/training">www.national.com/training</a>

THE CONTENTS OF THIS DOCUMENT ARE PROVIDED IN CONNECTION WITH NATIONAL SEMICONDUCTOR CORPORATION ("NATIONAL") PRODUCTS. NATIONAL MAKES NO REPRESENTATIONS OR WARRANTIES WITH RESPECT TO THE ACCURACY OR COMPLETENESS OF THE CONTENTS OF THIS PUBLICATION AND RESERVES THE RIGHT TO MAKE CHANGES TO SPECIFICATIONS AND PRODUCT DESCRIPTIONS AT ANY TIME WITHOUT NOTICE. NO LICENSE, WHETHER EXPRESS, IMPLIED, ARISING BY ESTOPPEL OR OTHERWISE, TO ANY INTELLECTUAL PROPERTY RIGHTS IS GRANTED BY THIS DOCUMENT.

TESTING AND OTHER QUALITY CONTROLS ARE USED TO THE EXTENT NATIONAL DEEMS NECESSARY TO SUPPORT NATIONAL'S PRODUCT WARRANTY. EXCEPT WHERE MANDATED BY GOVERNMENT REQUIREMENTS, TESTING OF ALL PARAMETERS OF EACH PRODUCT IS NOT NECESSARILY PERFORMED. NATIONAL ASSUMES NO LIABILITY FOR APPLICATIONS ASSISTANCE OR BUYER PRODUCT DESIGN. BUYERS ARE RESPONSIBLE FOR THEIR PRODUCTS AND APPLICATIONS USING NATIONAL COMPONENTS. PRIOR TO USING OR DISTRIBUTING ANY PRODUCTS THAT INCLUDE NATIONAL COMPONENTS, BUYERS SHOULD PROVIDE ADEQUATE DESIGN, TESTING AND OPERATING SAFEGUARDS.

EXCEPT AS PROVIDED IN NATIONAL'S TERMS AND CONDITIONS OF SALE FOR SUCH PRODUCTS, NATIONAL ASSUMES NO LIABILITY WHATSOEVER, AND NATIONAL DISCLAIMS ANY EXPRESS OR IMPLIED WARRANTY RELATING TO THE SALE AND/OR USE OF NATIONAL PRODUCTS INCLUDING LIABILITY OR WARRANTIES RELATING TO FITNESS FOR A PARTICULAR PURPOSE, MERCHANTABILITY, OR INFRINGEMENT OF ANY PATENT, COPYRIGHT OR OTHER INTELLECTUAL PROPERTY RIGHT.

#### LIFE SUPPORT POLICY

**NATIONAL'S PRODUCTS ARE NOT AUTHORIZED FOR USE AS CRITICAL COMPONENTS IN LIFE SUPPORT DEVICES OR SYSTEMS WITHOUT THE EXPRESS PRIOR WRITTEN APPROVAL OF THE CHIEF EXECUTIVE OFFICER AND GENERAL COUNSEL OF NATIONAL SEMICONDUCTOR CORPORATION.** As used herein:

Life support devices or systems are devices which (a) are intended for surgical implant into the body, or (b) support or sustain life and whose failure to perform when properly used in accordance with instructions for use provided in the labeling can be reasonably expected to result in a significant injury to the user. A critical component is any component in a life support device or system whose failure to perform can be reasonably expected to cause the failure of the life support device or system or to affect its safety or effectiveness.

National Semiconductor and the National Semiconductor logo are registered trademarks of National Semiconductor Corporation. All other brand or product names may be trademarks or registered trademarks of their respective holders.

Copyright© 2010 National Semiconductor Corporation

For the most current product information visit us at [www.national.com](http://www.national.com)



**National Semiconductor  
Americas Technical  
Support Center**  
Email: [support@nsc.com](mailto:support@nsc.com)  
Tel: 1-800-272-9959

**National Semiconductor Europe  
Technical Support Center**  
Email: [europe.support@nsc.com](mailto:europe.support@nsc.com)

**National Semiconductor Asia  
Pacific Technical Support Center**  
Email: [ap.support@nsc.com](mailto:ap.support@nsc.com)

**National Semiconductor Japan  
Technical Support Center**  
Email: [jpn.feedback@nsc.com](mailto:jpn.feedback@nsc.com)

## IMPORTANT NOTICE

Texas Instruments Incorporated and its subsidiaries (TI) reserve the right to make corrections, modifications, enhancements, improvements, and other changes to its products and services at any time and to discontinue any product or service without notice. Customers should obtain the latest relevant information before placing orders and should verify that such information is current and complete. All products are sold subject to TI's terms and conditions of sale supplied at the time of order acknowledgment.

TI warrants performance of its hardware products to the specifications applicable at the time of sale in accordance with TI's standard warranty. Testing and other quality control techniques are used to the extent TI deems necessary to support this warranty. Except where mandated by government requirements, testing of all parameters of each product is not necessarily performed.

TI assumes no liability for applications assistance or customer product design. Customers are responsible for their products and applications using TI components. To minimize the risks associated with customer products and applications, customers should provide adequate design and operating safeguards.

TI does not warrant or represent that any license, either express or implied, is granted under any TI patent right, copyright, mask work right, or other TI intellectual property right relating to any combination, machine, or process in which TI products or services are used. Information published by TI regarding third-party products or services does not constitute a license from TI to use such products or services or a warranty or endorsement thereof. Use of such information may require a license from a third party under the patents or other intellectual property of the third party, or a license from TI under the patents or other intellectual property of TI.

Reproduction of TI information in TI data books or data sheets is permissible only if reproduction is without alteration and is accompanied by all associated warranties, conditions, limitations, and notices. Reproduction of this information with alteration is an unfair and deceptive business practice. TI is not responsible or liable for such altered documentation. Information of third parties may be subject to additional restrictions.

Resale of TI products or services with statements different from or beyond the parameters stated by TI for that product or service voids all express and any implied warranties for the associated TI product or service and is an unfair and deceptive business practice. TI is not responsible or liable for any such statements.

TI products are not authorized for use in safety-critical applications (such as life support) where a failure of the TI product would reasonably be expected to cause severe personal injury or death, unless officers of the parties have executed an agreement specifically governing such use. Buyers represent that they have all necessary expertise in the safety and regulatory ramifications of their applications, and acknowledge and agree that they are solely responsible for all legal, regulatory and safety-related requirements concerning their products and any use of TI products in such safety-critical applications, notwithstanding any applications-related information or support that may be provided by TI. Further, Buyers must fully indemnify TI and its representatives against any damages arising out of the use of TI products in such safety-critical applications.

TI products are neither designed nor intended for use in military/aerospace applications or environments unless the TI products are specifically designated by TI as military-grade or "enhanced plastic." Only products designated by TI as military-grade meet military specifications. Buyers acknowledge and agree that any such use of TI products which TI has not designated as military-grade is solely at the Buyer's risk, and that they are solely responsible for compliance with all legal and regulatory requirements in connection with such use.

TI products are neither designed nor intended for use in automotive applications or environments unless the specific TI products are designated by TI as compliant with ISO/TS 16949 requirements. Buyers acknowledge and agree that, if they use any non-designated products in automotive applications, TI will not be responsible for any failure to meet such requirements.

Following are URLs where you can obtain information on other Texas Instruments products and application solutions:

### Products

Audio	<a href="http://www.ti.com/audio">www.ti.com/audio</a>
Amplifiers	<a href="http://amplifier.ti.com">amplifier.ti.com</a>
Data Converters	<a href="http://dataconverter.ti.com">dataconverter.ti.com</a>
DLP® Products	<a href="http://www.dlp.com">www.dlp.com</a>
DSP	<a href="http://dsp.ti.com">dsp.ti.com</a>
Clocks and Timers	<a href="http://www.ti.com/clocks">www.ti.com/clocks</a>
Interface	<a href="http://interface.ti.com">interface.ti.com</a>
Logic	<a href="http://logic.ti.com">logic.ti.com</a>
Power Mgmt	<a href="http://power.ti.com">power.ti.com</a>
Microcontrollers	<a href="http://microcontroller.ti.com">microcontroller.ti.com</a>
RFID	<a href="http://www.ti-rfid.com">www.ti-rfid.com</a>
OMAP Mobile Processors	<a href="http://www.ti.com/omap">www.ti.com/omap</a>
Wireless Connectivity	<a href="http://www.ti.com/wirelessconnectivity">www.ti.com/wirelessconnectivity</a>

### Applications

Communications and Telecom	<a href="http://www.ti.com/communications">www.ti.com/communications</a>
Computers and Peripherals	<a href="http://www.ti.com/computers">www.ti.com/computers</a>
Consumer Electronics	<a href="http://www.ti.com/consumer-apps">www.ti.com/consumer-apps</a>
Energy and Lighting	<a href="http://www.ti.com/energy">www.ti.com/energy</a>
Industrial	<a href="http://www.ti.com/industrial">www.ti.com/industrial</a>
Medical	<a href="http://www.ti.com/medical">www.ti.com/medical</a>
Security	<a href="http://www.ti.com/security">www.ti.com/security</a>
Space, Avionics and Defense	<a href="http://www.ti.com/space-avionics-defense">www.ti.com/space-avionics-defense</a>
Transportation and Automotive	<a href="http://www.ti.com/automotive">www.ti.com/automotive</a>
Video and Imaging	<a href="http://www.ti.com/video">www.ti.com/video</a>

TI E2E Community Home Page

[e2e.ti.com](http://e2e.ti.com)

Mailing Address: Texas Instruments, Post Office Box 655303, Dallas, Texas 75265  
Copyright © 2011, Texas Instruments Incorporated