

# LM1458,LM1558

*LM1458/LM1558 Dual Operational Amplifier*



Literature Number: SNOSBU4C

# LM1458/LM1558

## Dual Operational Amplifier

### General Description

The LM1458 and the LM1558 are general purpose dual operational amplifiers. The two amplifiers share a common bias network and power supply leads. Otherwise, their operation is completely independent.

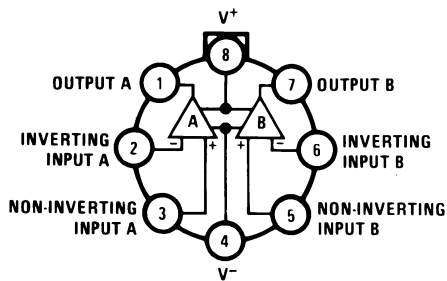
The LM1458 is identical to the LM1558 except that the LM1458 has its specifications guaranteed over the temperature range from 0°C to +70°C instead of -55°C to +125°C.

### Features

- No frequency compensation required
- Short-circuit protection
- Wide common-mode and differential voltage ranges
- Low-power consumption
- 8-lead can and 8-lead mini DIP
- No latch up when input common mode range is exceeded

### Connection Diagrams

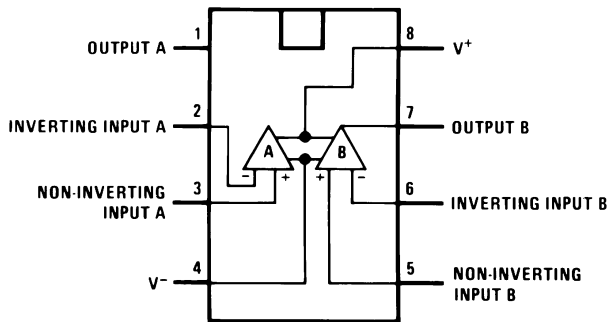
**Metal Can Package**



00788602

**Top View**  
Order Number LM1558H,  
LM1558H/883 or LM1458H  
See NS Package Number H08C

**Dual-In-Line Package**



00788603

**Top View**  
Order Number LM1558J/883, LM1458M,  
LM1458MX or LM1458N  
See NS Package Number J08A, M08A or N08E

**Absolute Maximum Ratings** (Note 1)

If Military/Aerospace specified devices are required, please contact the National Semiconductor Sales Office/Distributors for availability and specifications.

(Note 5)

|                               |                 |
|-------------------------------|-----------------|
| Supply Voltage                |                 |
| LM1558                        | ±22V            |
| LM1458                        | ±18V            |
| Power Dissipation (Note 2)    |                 |
| LM1558H/LM1458H               | 500 mW          |
| LM1458N                       | 400 mW          |
| Differential Input Voltage    | ±30V            |
| Input Voltage (Note 3)        | ±15V            |
| Output Short-Circuit Duration | Continuous      |
| Operating Temperature Range   |                 |
| LM1558                        | -55°C to +125°C |
| LM1458                        | 0°C to +70°C    |

|   |                 |
|---|-----------------|
| Storage Temperature Range   | -65°C to +150°C |
| Lead Temperature (Soldering, 10 sec.)   | 260°C           |
| Soldering Information   |                 |
| Dual-In-Line Package  |                 |
| Soldering (10 seconds)  | 260°C           |
| Small Outline Package   |                 |
| Vapor Phase (60 seconds)  | 215°C           |
| Infrared (15 seconds)   | 220°C           |
| See AN-450 "Surface Mounting Methods and Their Effect on Product Reliability" for other methods of soldering surface mount devices. |                 |
| ESD tolerance (Note 6)  | 300V            |

**Electrical Characteristics** (Note 4)

| Parameter                      | Conditions  | LM1558 |     |     | LM1458 |     |     | Units         |
|--------------------------------|---|--------|-----|-----|--------|-----|-----|---------------|
|                                |   | Min    | Typ | Max | Min    | Typ | Max |               |
| Input Offset Voltage           | $T_A = 25^\circ\text{C}$ , $R_S \leq 10\text{ k}\Omega$   |        | 1.0 | 5.0 |        | 1.0 | 6.0 | mV            |
| Input Offset Current           | $T_A = 25^\circ\text{C}$  |        | 80  | 200 |        | 80  | 200 | nA            |
| Input Bias Current             | $T_A = 25^\circ\text{C}$  |        | 200 | 500 |        | 200 | 500 | nA            |
| Input Resistance               | $T_A = 25^\circ\text{C}$  | 0.3    | 1.0 |     | 0.3    | 1.0 |     | M $\Omega$    |
| Supply Current Both Amplifiers | $T_A = 25^\circ\text{C}$ , $V_S = \pm 15\text{V}$   |        | 3.0 | 5.0 |        | 3.0 | 5.6 | mA            |
| Large Signal Voltage Gain      | $T_A = 25^\circ\text{C}$ , $V_S = \pm 15\text{V}$<br>$V_{OUT} = \pm 10\text{V}$ , $R_L \geq 2\text{ k}\Omega$ | 50     | 160 |     | 20     | 160 |     | V/mV          |
| Input Offset Voltage           | $R_S \leq 10\text{ k}\Omega$  |        |     | 6.0 |        |     | 7.5 | mV            |
| Input Offset Current           |   |        |     | 500 |        |     | 300 | nA            |
| Input Bias Current             |   |        |     | 1.5 |        |     | 0.8 | $\mu\text{A}$ |
| Large Signal Voltage Gain      | $V_S = \pm 15\text{V}$ , $V_{OUT} = \pm 10\text{V}$<br>$R_L \geq \text{k}\Omega$                              | 25     |     |     | 15     |     |     | V/mV          |
| Output Voltage Swing           | $V_S = \pm 15\text{V}$ , $R_L = 10\text{ k}\Omega$<br>$R_L = 2\text{ k}\Omega$                                | ±12    | ±14 |     | ±12    | ±14 |     | V             |
|                                |   | ±10    | ±13 |     | ±10    | ±13 |     | V             |
| Input Voltage Range            | $V_S = \pm 15\text{V}$  | ±12    |     |     | ±12    |     |     | V             |
| Common Mode Rejection Ratio    | $R_S \leq 10\text{ k}\Omega$  | 70     | 90  |     | 70     | 90  |     | dB            |
| Supply Voltage Rejection Ratio | $R_S \leq 10\text{ k}\Omega$  | 77     | 96  |     | 77     | 96  |     | dB            |

**Note 1:** "Absolute Maximum Ratings" indicate limits beyond which damage to the device may occur. Operating Ratings indicate conditions for which the device is functional, but do not guarantee specific performance limits.

**Note 2:** The maximum junction temperature of the LM1558 is 150°C, while that of the LM1458 is 100°C. For operating at elevated temperatures, devices in the H08 package must be derated based on a thermal resistance of 150°C/W, junction to ambient or 20°C/W, junction to case. For the DIP the device must be derated based on a thermal resistance of 187°C/W, junction to ambient.

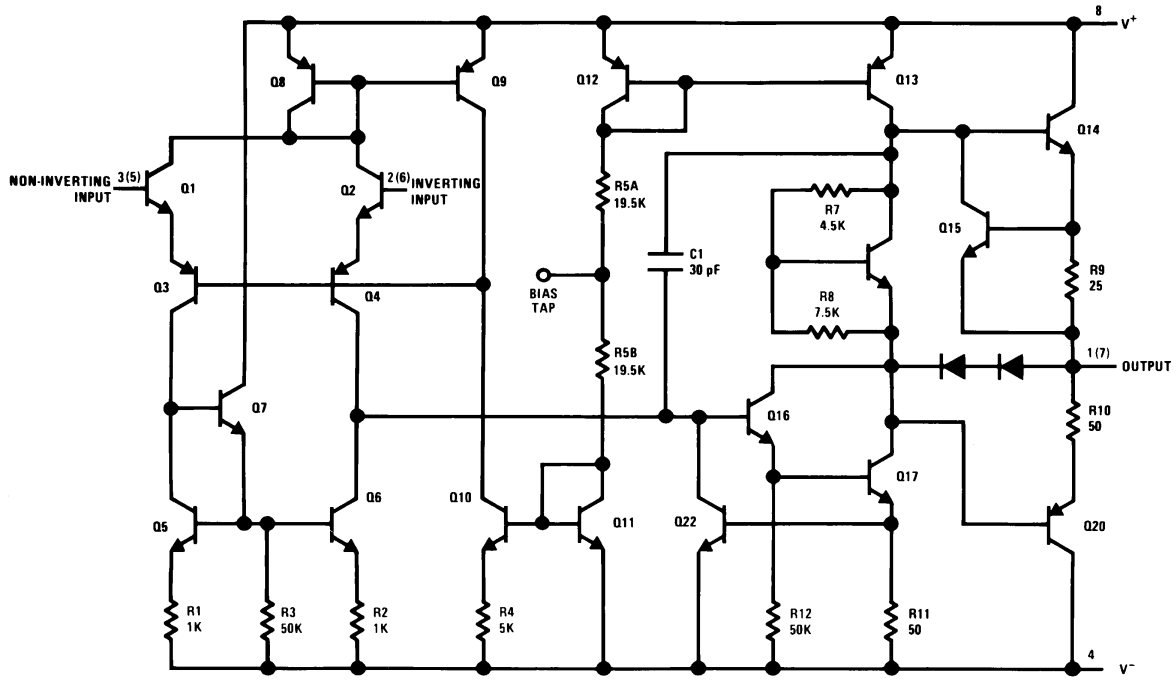
**Note 3:** For supply voltages less than ±15V, the absolute maximum input voltage is equal to the supply voltage.

**Note 4:** These specifications apply for  $V_S = \pm 15\text{V}$  and  $-55^\circ\text{C} \leq T_A \leq 125^\circ\text{C}$ , unless otherwise specified. With the LM1458, however, all specifications are limited to  $0^\circ\text{C} \leq T_A \leq 70^\circ\text{C}$  and  $V_S = \pm 15\text{V}$ .

**Note 5:** Refer to RETS 1558V for LM1558J and LM1558H military specifications.

**Note 6:** Human body model, 1.5 k $\Omega$  in series with 100 pF.

# Schematic Diagram

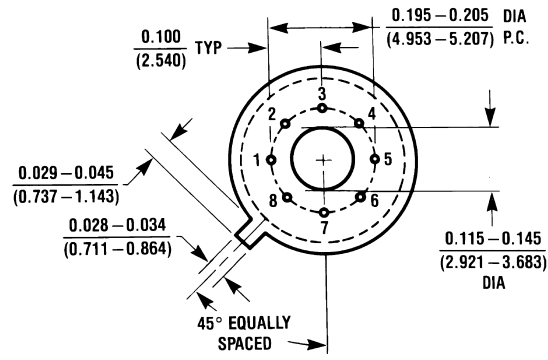
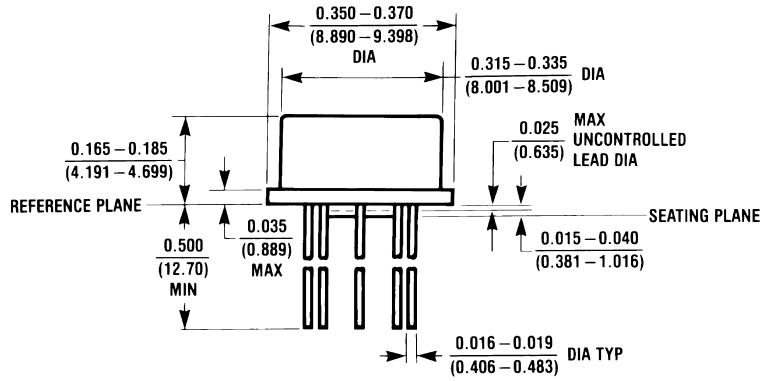


Numbers in parentheses are pin numbers for amplifier B.

00788601

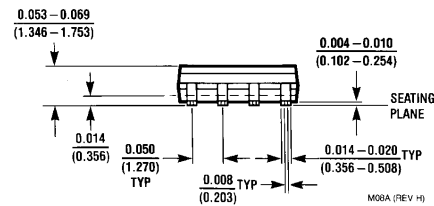
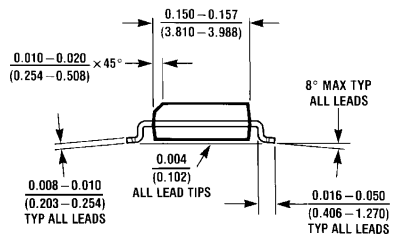
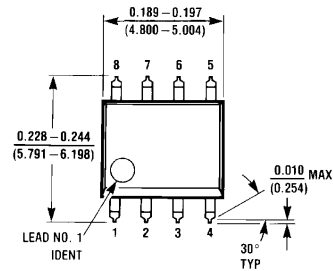
**Physical Dimensions** inches (millimeters)

unless otherwise noted



H08C (REV E)

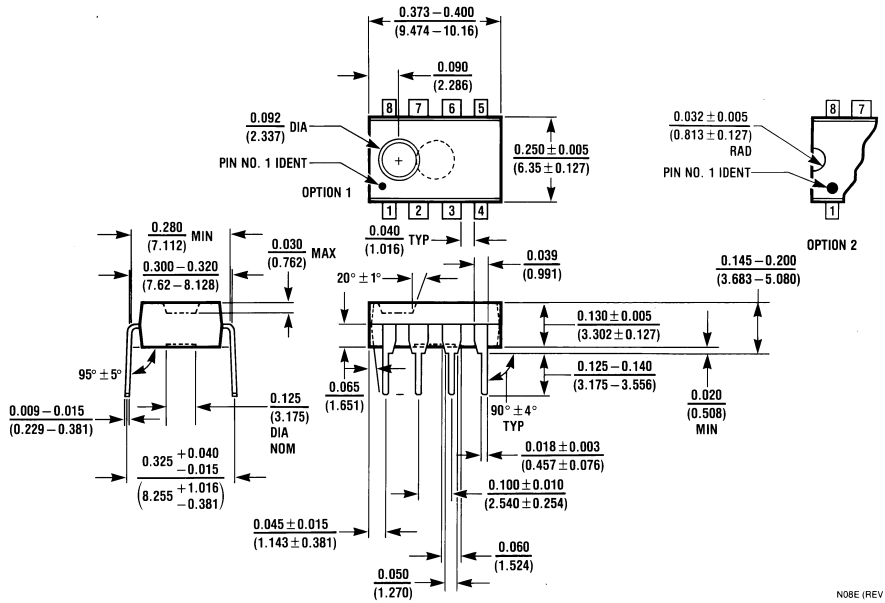
**Metal Can Package (H)**  
**Order Number LM1558H, LM1558H/883 or LM1458H**  
**NS Package Number H08C**



M08A (REV H)

**Small Outline Package (M)**  
**Order Number LM1458M or LM1458MX**  
**NS Package Number M08A**

**Physical Dimensions** inches (millimeters) unless otherwise noted (Continued)



**Molded Dual-In-Line Package (N)**  
**Order Number LM1458N**  
**NS Package Number N08E**

N08E (REV F)

**LIFE SUPPORT POLICY**

NATIONAL'S PRODUCTS ARE NOT AUTHORIZED FOR USE AS CRITICAL COMPONENTS IN LIFE SUPPORT DEVICES OR SYSTEMS WITHOUT THE EXPRESS WRITTEN APPROVAL OF THE PRESIDENT AND GENERAL COUNSEL OF NATIONAL SEMICONDUCTOR CORPORATION. As used herein:

1. Life support devices or systems are devices or systems which, (a) are intended for surgical implant into the body, or (b) support or sustain life, and whose failure to perform when properly used in accordance with instructions for use provided in the labeling, can be reasonably expected to result in a significant injury to the user.
2. A critical component is any component of a life support device or system whose failure to perform can be reasonably expected to cause the failure of the life support device or system, or to affect its safety or effectiveness.



**National Semiconductor**  
**Americas Customer**  
**Support Center**  
 Email: new.feedback@nsc.com  
 Tel: 1-800-272-9959

**National Semiconductor**  
**Europe Customer Support Center**  
 Fax: +49 (0) 180-530 85 86  
 Email: europe.support@nsc.com  
 Deutsch Tel: +49 (0) 69 9508 6208  
 English Tel: +44 (0) 870 24 0 2171  
 Français Tel: +33 (0) 1 41 91 8790

**National Semiconductor**  
**Asia Pacific Customer**  
**Support Center**  
 Email: ap.support@nsc.com

**National Semiconductor**  
**Japan Customer Support Center**  
 Fax: 81-3-5639-7507  
 Email: jpn.feedback@nsc.com  
 Tel: 81-3-5639-7560

www.national.com

## IMPORTANT NOTICE

Texas Instruments Incorporated and its subsidiaries (TI) reserve the right to make corrections, modifications, enhancements, improvements, and other changes to its products and services at any time and to discontinue any product or service without notice. Customers should obtain the latest relevant information before placing orders and should verify that such information is current and complete. All products are sold subject to TI's terms and conditions of sale supplied at the time of order acknowledgment.

TI warrants performance of its hardware products to the specifications applicable at the time of sale in accordance with TI's standard warranty. Testing and other quality control techniques are used to the extent TI deems necessary to support this warranty. Except where mandated by government requirements, testing of all parameters of each product is not necessarily performed.

TI assumes no liability for applications assistance or customer product design. Customers are responsible for their products and applications using TI components. To minimize the risks associated with customer products and applications, customers should provide adequate design and operating safeguards.

TI does not warrant or represent that any license, either express or implied, is granted under any TI patent right, copyright, mask work right, or other TI intellectual property right relating to any combination, machine, or process in which TI products or services are used. Information published by TI regarding third-party products or services does not constitute a license from TI to use such products or services or a warranty or endorsement thereof. Use of such information may require a license from a third party under the patents or other intellectual property of the third party, or a license from TI under the patents or other intellectual property of TI.

Reproduction of TI information in TI data books or data sheets is permissible only if reproduction is without alteration and is accompanied by all associated warranties, conditions, limitations, and notices. Reproduction of this information with alteration is an unfair and deceptive business practice. TI is not responsible or liable for such altered documentation. Information of third parties may be subject to additional restrictions.

Resale of TI products or services with statements different from or beyond the parameters stated by TI for that product or service voids all express and any implied warranties for the associated TI product or service and is an unfair and deceptive business practice. TI is not responsible or liable for any such statements.

TI products are not authorized for use in safety-critical applications (such as life support) where a failure of the TI product would reasonably be expected to cause severe personal injury or death, unless officers of the parties have executed an agreement specifically governing such use. Buyers represent that they have all necessary expertise in the safety and regulatory ramifications of their applications, and acknowledge and agree that they are solely responsible for all legal, regulatory and safety-related requirements concerning their products and any use of TI products in such safety-critical applications, notwithstanding any applications-related information or support that may be provided by TI. Further, Buyers must fully indemnify TI and its representatives against any damages arising out of the use of TI products in such safety-critical applications.

TI products are neither designed nor intended for use in military/aerospace applications or environments unless the TI products are specifically designated by TI as military-grade or "enhanced plastic." Only products designated by TI as military-grade meet military specifications. Buyers acknowledge and agree that any such use of TI products which TI has not designated as military-grade is solely at the Buyer's risk, and that they are solely responsible for compliance with all legal and regulatory requirements in connection with such use.

TI products are neither designed nor intended for use in automotive applications or environments unless the specific TI products are designated by TI as compliant with ISO/TS 16949 requirements. Buyers acknowledge and agree that, if they use any non-designated products in automotive applications, TI will not be responsible for any failure to meet such requirements.

Following are URLs where you can obtain information on other Texas Instruments products and application solutions:

### Products

|                        |  |
|------------------------|--|
| Audio                  | <a href="http://www.ti.com/audio">www.ti.com/audio</a>                               |
| Amplifiers             | <a href="http://amplifier.ti.com">amplifier.ti.com</a>                               |
| Data Converters        | <a href="http://dataconverter.ti.com">dataconverter.ti.com</a>                       |
| DLP® Products          | <a href="http://www.dlp.com">www.dlp.com</a>   |
| DSP                    | <a href="http://dsp.ti.com">dsp.ti.com</a>   |
| Clocks and Timers      | <a href="http://www.ti.com/clocks">www.ti.com/clocks</a>                             |
| Interface              | <a href="http://interface.ti.com">interface.ti.com</a>                               |
| Logic                  | <a href="http://logic.ti.com">logic.ti.com</a>                                       |
| Power Mgmt             | <a href="http://power.ti.com">power.ti.com</a>                                       |
| Microcontrollers       | <a href="http://microcontroller.ti.com">microcontroller.ti.com</a>                   |
| RFID                   | <a href="http://www.ti-rfid.com">www.ti-rfid.com</a>                                 |
| OMAP Mobile Processors | <a href="http://www.ti.com/omap">www.ti.com/omap</a>                                 |
| Wireless Connectivity  | <a href="http://www.ti.com/wirelessconnectivity">www.ti.com/wirelessconnectivity</a> |

### Applications

|                               |  |
|-------------------------------|--|
| Communications and Telecom    | <a href="http://www.ti.com/communications">www.ti.com/communications</a>                 |
| Computers and Peripherals     | <a href="http://www.ti.com/computers">www.ti.com/computers</a>                           |
| Consumer Electronics          | <a href="http://www.ti.com/consumer-apps">www.ti.com/consumer-apps</a>                   |
| Energy and Lighting           | <a href="http://www.ti.com/energy">www.ti.com/energy</a>                                 |
| Industrial                    | <a href="http://www.ti.com/industrial">www.ti.com/industrial</a>                         |
| Medical                       | <a href="http://www.ti.com/medical">www.ti.com/medical</a>                               |
| Security                      | <a href="http://www.ti.com/security">www.ti.com/security</a>                             |
| Space, Avionics and Defense   | <a href="http://www.ti.com/space-avionics-defense">www.ti.com/space-avionics-defense</a> |
| Transportation and Automotive | <a href="http://www.ti.com/automotive">www.ti.com/automotive</a>                         |
| Video and Imaging             | <a href="http://www.ti.com/video">www.ti.com/video</a>                                   |

TI E2E Community Home Page

[e2e.ti.com](http://e2e.ti.com)

Mailing Address: Texas Instruments, Post Office Box 655303, Dallas, Texas 75265  
Copyright © 2011, Texas Instruments Incorporated