

# 200MHz, CMOS OPERATIONAL AMPLIFIER WITH SHUTDOWN

## FEATURES

- **UNITY-GAIN BANDWIDTH: 450MHz**
- **WIDE BANDWIDTH: 200MHz GBW**
- **HIGH SLEW RATE: 360V/ $\mu$ s**
- **LOW NOISE: 5.8nV/ $\sqrt{\text{Hz}}$**
- **EXCELLENT VIDEO PERFORMANCE:**  
DIFF GAIN: 0.02%, DIFF PHASE: 0.05°  
0.1dB GAIN FLATNESS: 75MHz
- **INPUT RANGE INCLUDES GROUND**
- **RAIL-TO-RAIL OUTPUT (within 100mV)**
- **LOW INPUT BIAS CURRENT: 3pA**
- **LOW SHUTDOWN CURRENT: 3.4 $\mu$ A**
- **ENABLE/DISABLE TIME: 100ns/30ns**
- **THERMAL SHUTDOWN**
- **SINGLE-SUPPLY OPERATING RANGE: 2.5V to 5.5V**
- **MicroSIZE PACKAGES**

## APPLICATIONS

- VIDEO PROCESSING
- ULTRASOUND
- OPTICAL NETWORKING, TUNABLE LASERS
- PHOTODIODE TRANSIMPEDANCE AMPS
- ACTIVE FILTERS
- HIGH-SPEED INTEGRATORS
- ANALOG-TO-DIGITAL (A/D) CONVERTER INPUT BUFFERS
- DIGITAL-TO-ANALOG (D/A) CONVERTER OUTPUT AMPLIFIERS
- BARCODE SCANNERS
- COMMUNICATIONS

## DESCRIPTION

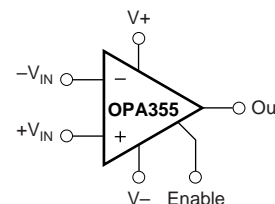
The OPA355 series high-speed, voltage-feedback CMOS operational amplifiers are designed for video and other applications requiring wide bandwidth. The OPA355 is unity-gain stable and can drive large output currents. In addition, the OPA355 has a digital shutdown (Enable) function. This feature provides power savings during idle periods and places the output in a high-impedance state to support output multiplexing. Differential gain is 0.02% and differential phase is 0.05°. Quiescent current is only 8.3mA per channel.

The OPA355 is optimized for operation on single or dual supplies as low as 2.5V ( $\pm 1.25\text{V}$ ) and up to 5.5V ( $\pm 2.75\text{V}$ ). Common-mode input range for the OPA355 extends 100mV below ground and up to 1.5V from V+. The output swing is within 100mV of the rails, supporting wide dynamic range.

The OPA355 series is available in single (SOT23-6 and SO-8), dual (MSOP-10), and triple (TSSOP-14 and SO-14) versions. Multichannel versions feature completely independent circuitry for lowest crosstalk and freedom from interaction. All are specified over the extended  $-40^{\circ}\text{C}$  to  $+125^{\circ}\text{C}$  range.

## OPA355 RELATED PRODUCTS

| FEATURES                                       | PRODUCT |
|--|---------|
| 200MHz, Rail-to-Rail Output, CMOS, No Shutdown | OPA356  |
| 38MHz, Rail-to-Rail Input/Output, CMOS         | OPAx350 |
| 75MHz, Rail-to-Rail Output                     | OPAx631 |
| 150MHz, Rail-to-Rail Output                    | OPAx634 |
| Differential Input/Output, 3.3V Supply         | THS412x |



Please be aware that an important notice concerning availability, standard warranty, and use in critical applications of Texas Instruments semiconductor products and disclaimers thereto appears at the end of this data sheet.

All trademarks are the property of their respective owners.

## ABSOLUTE MAXIMUM RATINGS<sup>(1)</sup>

|  |                            |
|--|----------------------------|
| Supply Voltage, V+ to V- .....                       | 7.5V                       |
| Signal Input Terminals, Voltage <sup>(2)</sup> ..... | (V-) - 0.5V to (V+) + 0.5V |
| Current <sup>(2)</sup> .....                         | 10mA                       |
| Enable Input .....                                   | (V-) - 0.5V to (V+) + 0.5V |
| Output Short-Circuit <sup>(3)</sup> .....            | Continuous                 |
| Operating Temperature .....                          | -55°C to +150°C            |
| Storage Temperature .....                            | -65°C to +150°C            |
| Junction Temperature .....                           | +160°C                     |
| Lead Temperature (soldering, 10s) .....              | +300°C                     |

NOTES: (1) Stresses above these ratings may cause permanent damage. Exposure to absolute maximum conditions for extended periods may degrade device reliability. These are stress ratings only, and functional operation of the device at these or any other conditions beyond those specified is not implied. (2) Input terminals are diode-clamped to the power-supply rails. Input signals that can swing more than 0.5V beyond the supply rails should be current limited to 10mA or less. (3) Short-circuit to ground, one amplifier per package.



## ELECTROSTATIC DISCHARGE SENSITIVITY

This integrated circuit can be damaged by ESD. Texas Instruments recommends that all integrated circuits be handled with appropriate precautions. Failure to observe proper handling and installation procedures can cause damage.

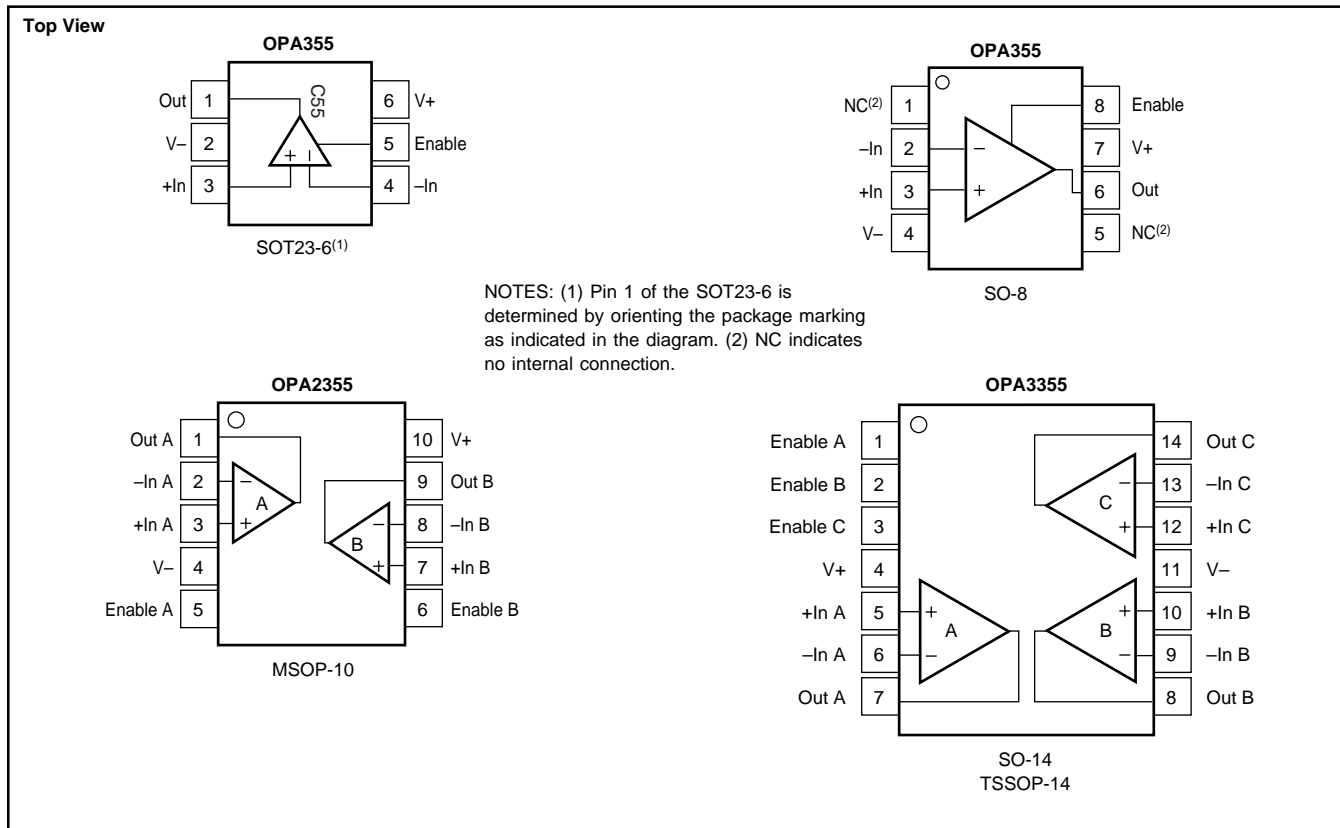
ESD damage can range from subtle performance degradation to complete device failure. Precision integrated circuits may be more susceptible to damage because very small parametric changes could cause the device not to meet its published specifications.

## PACKAGE/ORDERING INFORMATION<sup>(1)</sup>

| PRODUCT | PACKAGE-LEAD | PACKAGE MARKING |
|---------|--------------|-----------------|
| OPA355  | SOT23-6      | C55             |
| "       | "            | "               |
| OPA355  | SO-8         | OPA355UA        |
| "       | "            | "               |
| OPA2355 | MSOP-10      | D55             |
| "       | "            | "               |
| OPA3355 | TSSOP-14     | OPA3355EA       |
| "       | "            | "               |
| OPA3355 | SO-14        | OPA3355UA       |
| "       | "            | "               |

NOTE: (1) For the most current package and ordering information, see the Package Option Addendum located at the end of this data sheet.

## PIN CONFIGURATIONS



# ELECTRICAL CHARACTERISTICS: $V_S = +2.7V$ to $+5.5V$ Single-Supply

**Boldface** limits apply over the specified temperature range,  $T_A = -40^\circ C$  to  $+125^\circ C$ .

At  $T_A = +25^\circ C$ ,  $R_F = 604\Omega$ ,  $R_L = 150\Omega$ , and connected to  $V_S/2$ , unless otherwise noted.

| PARAMETER                                       | CONDITION   | OPA355<br>OPA2355<br>OPA3355 |                         |              | UNITS                         |
|---|---|------------------------------|-------------------------|--------------|-------------------------------|
|   |   | MIN                          | TYP                     | MAX          |                               |
| <b>OFFSET VOLTAGE</b>                           |   |                              |                         |              |                               |
| Input Offset Voltage $V_{OS}$                   | $V_S = +5V$   |                              | $\pm 2$                 | $\pm 9$      | mV                            |
| <b>vs Temperature</b>                           | <b>Specified Temperature Range</b>  |                              | $\pm 7$                 | $\pm 15$     | mV                            |
| <b>vs Power Supply</b>                          | <b>Specified Temperature Range</b><br>$V_S = +2.7V$ to $+5.5V$ , $V_{CM} = V_S/2 - 0.15V$ |                              | $\pm 80$                | $\pm 350$    | $\mu V/^\circ C$<br>$\mu V/V$ |
| <b>INPUT BIAS CURRENT</b>                       |   |                              |                         |              |                               |
| Input Bias Current $I_B$                        |   |                              | 3                       | $\pm 50$     | pA                            |
| Input Offset Current $I_{OS}$                   |   |                              | $\pm 1$                 | $\pm 50$     | pA                            |
| <b>NOISE</b>                                    |   |                              |                         |              |                               |
| Input Noise Voltage Density $e_n$               | $f = 1MHz$  |                              | 5.8                     |              | $nV/\sqrt{Hz}$                |
| Current Noise Density $i_n$                     | $f = 1MHz$  |                              | 50                      |              | $fA/\sqrt{Hz}$                |
| <b>INPUT VOLTAGE RANGE</b>                      |   |                              |                         |              |                               |
| Common-Mode Voltage Range $V_{CM}$              |   | $(V-) - 0.1$                 |                         | $(V+) - 1.5$ | V                             |
| Common-Mode Rejection Ratio CMRR                | $V_S = +5.5V$ , $-0.1V < V_{CM} < +4.0V$  | 66                           | 80                      |              | dB                            |
|   | <b>Specified Temperature Range</b>  | <b>66</b>                    |                         |              | <b>dB</b>                     |
| <b>INPUT IMPEDANCE</b>                          |   |                              |                         |              |                               |
| Differential                                    |   |                              | $10^{13} \parallel 1.5$ |              | $\Omega \parallel pF$         |
| Common-Mode                                     |   |                              | $10^{13} \parallel 1.5$ |              | $\Omega \parallel pF$         |
| <b>OPEN-LOOP GAIN</b>                           |   |                              |                         |              |                               |
|   | $V_S = +5V$ , $0.3V < V_O < 4.7V$   | 84                           | 92                      |              | dB                            |
|   | <b>OPA355</b><br>$V_S = +5V$ , $0.3V < V_O < 4.7V$  | <b>80</b>                    |                         |              | <b>dB</b>                     |
|   | <b>OPA2355, OPA3355</b><br>$V_S = +5V$ , $0.4V < V_O < 4.6V$                              | <b>80</b>                    |                         |              | <b>dB</b>                     |
| <b>FREQUENCY RESPONSE</b>                       |   |                              |                         |              |                               |
| Small-Signal Bandwidth $f_{-3dB}$               | $G = +1$ , $V_O = 100mVp-p$ , $R_F = 0\Omega$   |                              | 450                     |              | MHz                           |
| $f_{-3dB}$                                      | $G = +2$ , $V_O = 100mVp-p$ , $R_L = 50\Omega$  |                              | 100                     |              | MHz                           |
| $f_{-3dB}$                                      | $G = +2$ , $V_O = 100mVp-p$ , $R_L = 150\Omega$   |                              | 170                     |              | MHz                           |
| $f_{-3dB}$                                      | $G = +2$ , $V_O = 100mVp-p$ , $R_L = 1k\Omega$  |                              | 200                     |              | MHz                           |
| Gain-Bandwidth Product GBW                      | $G = +10$ , $R_L = 1k\Omega$  |                              | 200                     |              | MHz                           |
| Bandwidth for 0.1dB Gain Flatness $f_{0.1dB}$   | $G = +2$ , $V_O = 100mVp-p$ , $R_F = 560\Omega$   |                              | 75                      |              | MHz                           |
| Slew Rate SR                                    | $V_S = +5V$ , $G = +2$ , 4V Output Step   |                              | 300/–360                |              | V/ $\mu s$                    |
| Rise-and-Fall Time                              | $G = +2$ , $V_O = 200mVp-p$ , 10% to 90%  |                              | 2.4                     |              | ns                            |
|   | $G = +2$ , $V_O = 2Vp-p$ , 10% to 90%   |                              | 8                       |              | ns                            |
| Settling Time, 0.1%                             | $V_S = +5V$ , $G = +2$ , 2V Output Step   |                              | 30                      |              | ns                            |
| 0.01%   | $V_S = +5V$ , $G = +2$ , 2V Output Step   |                              | 120                     |              | ns                            |
| Overload Recovery Time                          | $V_{IN} \cdot Gain = V_S$   |                              | 8                       |              | ns                            |
| Harmonic Distortion                             |   |                              |                         |              |                               |
| 2nd-Harmonic                                    | $G = +2$ , $f = 1MHz$ , $V_O = 2Vp-p$ , $R_L = 200\Omega$                                 |                              | –81                     |              | dBc                           |
| 3rd-Harmonic                                    | $G = +2$ , $f = 1MHz$ , $V_O = 2Vp-p$ , $R_L = 200\Omega$                                 |                              | –93                     |              | dBc                           |
| Differential Gain Error                         | NTSC, $R_L = 150\Omega$   |                              | 0.02                    |              | %                             |
| Differential Phase Error                        | NTSC, $R_L = 150\Omega$   |                              | 0.05                    |              | degrees                       |
| Channel-to-Channel Crosstalk                    | $f = 5MHz$  |                              | –90                     |              | dB                            |
|   | $f = 5MHz$  |                              | –70                     |              | dB                            |
| <b>OUTPUT</b>                                   |   |                              |                         |              |                               |
| Voltage Output Swing from Rail                  | $V_S = +5V$ , $R_L = 150\Omega$ , $A_{OL} > 84dB$   |                              | 0.2                     | 0.3          | V                             |
| Voltage Output Swing from Rail                  | $V_S = +5V$ , $R_L = 1k\Omega$  |                              | 0.1                     |              | V                             |
| Output Current, Continuous <sup>(1)</sup> $I_O$ |   |                              | $\pm 60$                |              | mA                            |
| Output Current, Peak <sup>(1)</sup> $I_O$       | $V_S = +5V$   |                              | $\pm 100$               |              | mA                            |
| Output Current, Peak <sup>(1)</sup> $I_O$       | $V_S = +3V$   |                              | $\pm 80$                |              | mA                            |
| Closed-Loop Output Impedance                    | $f < 100kHz$  |                              | 0.02                    |              | $\Omega$                      |
| <b>POWER SUPPLY</b>                             |   |                              |                         |              |                               |
| Specified Voltage Range $V_S$                   |   | 2.7                          |                         | 5.5          | V                             |
| Operating Voltage Range                         |   |                              | 2.5 to 5.5              |              | V                             |
| Quiescent Current (per amplifier) $I_Q$         | $V_S = +5V$ , Enabled, $I_O = 0$  |                              | 8.3                     | 11           | mA                            |
|   | <b>Specified Temperature Range</b>  |                              |                         | <b>14</b>    | <b>mA</b>                     |

NOTES: (1) See typical characteristic *Output Voltage Swing vs Output Current*. (2) Logic LOW and HIGH levels are CMOS logic compatible. They are referenced to  $V-$ .

# ELECTRICAL CHARACTERISTICS: $V_S = +2.7V$ to $+5.5V$ Single-Supply (Cont.)

**Boldface** limits apply over the specified temperature range,  $T_A = -40^\circ C$  to  $+125^\circ C$ .

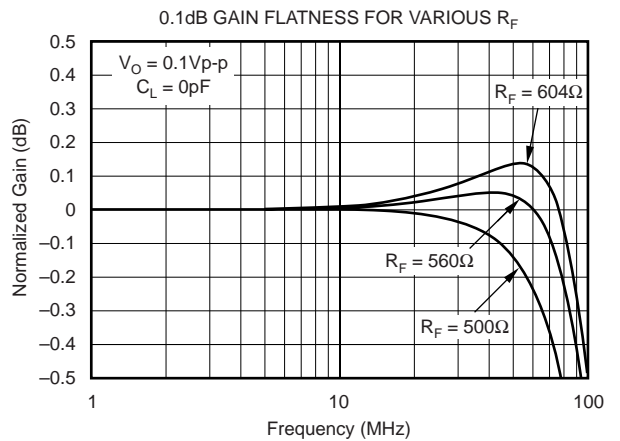
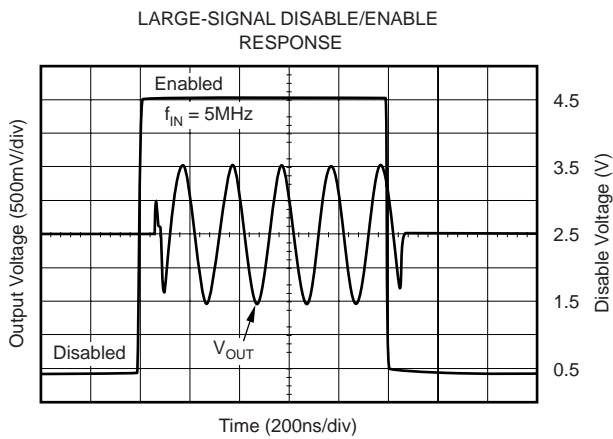
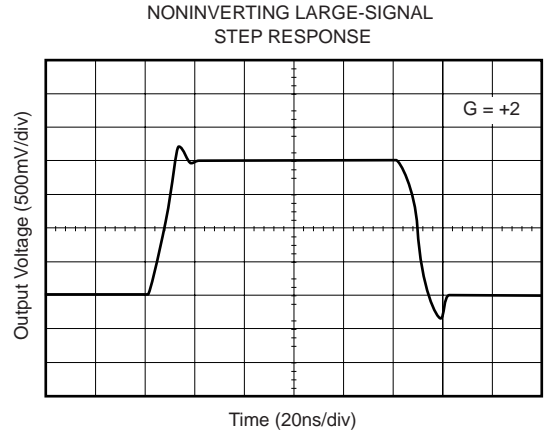
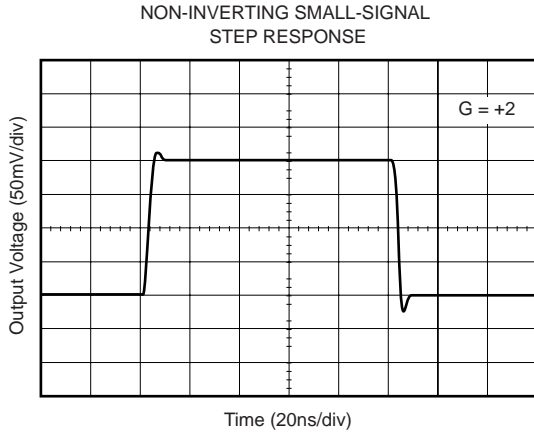
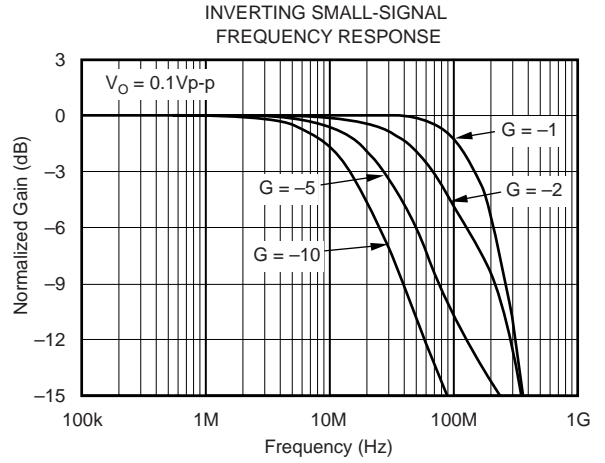
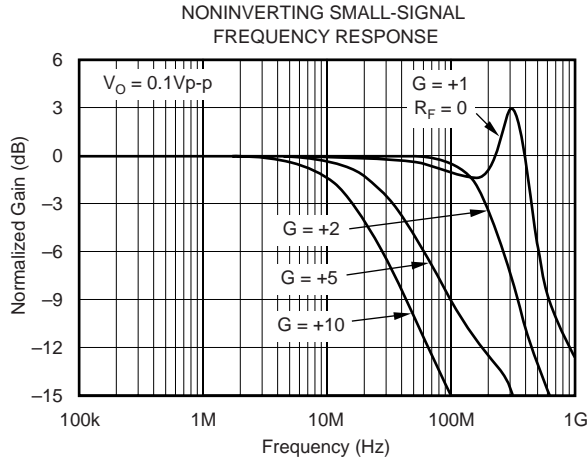
At  $T_A = +25^\circ C$ ,  $R_F = 604\Omega$ ,  $R_L = 150\Omega$ , and connected to  $V_S/2$ , unless otherwise noted.

| PARAMETER                                     | CONDITION              | OPA355<br>OPA2355<br>OPA3355 |     |     | UNITS        |
|---|------------------------|------------------------------|-----|-----|--------------|
|   |                        | MIN                          | TYP | MAX |              |
| <b>SHUTDOWN</b>                               |                        |                              |     |     |              |
| Disabled (Logic-LOW Threshold) <sup>(2)</sup> |                        |                              |     | 0.8 | V            |
| Enabled (Logic-HIGH Threshold) <sup>(2)</sup> |                        | 2                            |     |     | V            |
| Enable Time                                   |                        |                              | 100 |     | ns           |
| Disable Time                                  |                        |                              | 30  |     | ns           |
| Shutdown Current (per amplifier)              | $V_S = +5V$ , Disabled |                              | 3.4 | 6   | $\mu A$      |
| <b>THERMAL SHUTDOWN</b>                       |                        |                              |     |     |              |
| Junction Temperature                          |                        |                              |     |     |              |
| Shutdown                                      |                        |                              | 160 |     | $^\circ C$   |
| Reset from Shutdown                           |                        |                              | 140 |     | $^\circ C$   |
| <b>TEMPERATURE RANGE</b>                      |                        |                              |     |     |              |
| Specified Range                               |                        | -40                          |     | 125 | $^\circ C$   |
| Operating Range                               |                        | -55                          |     | 150 | $^\circ C$   |
| Storage Range                                 |                        | -65                          |     | 150 | $^\circ C$   |
| Thermal Resistance                            | $\theta_{JA}$          |                              |     |     | $^\circ C/W$ |
| SOT-23-6, MSOP-10                             |                        |                              | 150 |     | $^\circ C/W$ |
| SO-8  |                        |                              | 125 |     | $^\circ C/W$ |
| SO-14, TSSOP-14                               |                        |                              | 100 |     | $^\circ C/W$ |

NOTES: (1) See typical characteristic *Output Voltage Swing vs Output Current*. (2) Logic LOW and HIGH levels are CMOS logic compatible. They are referenced to  $V_-$ .

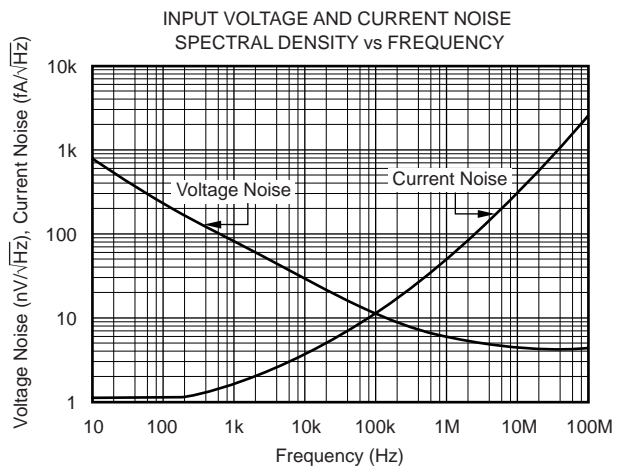
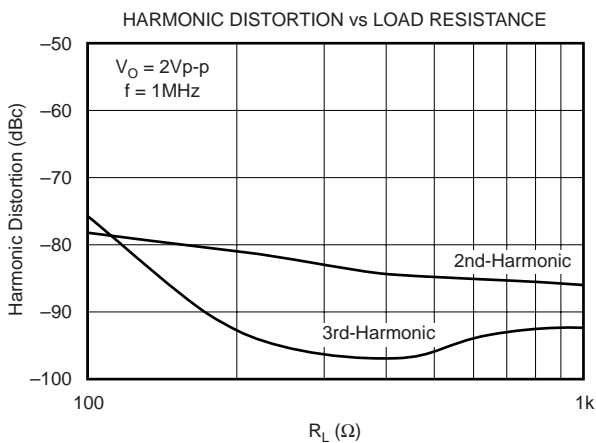
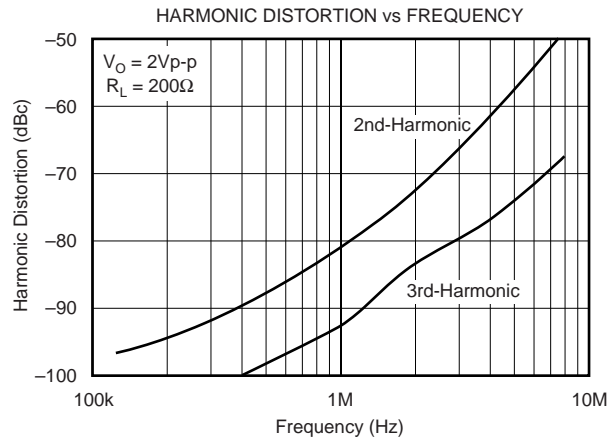
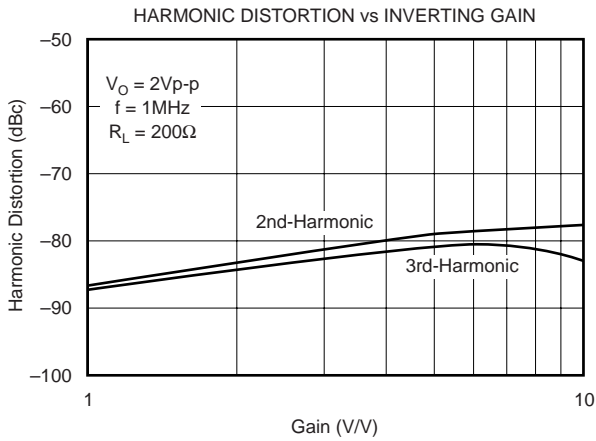
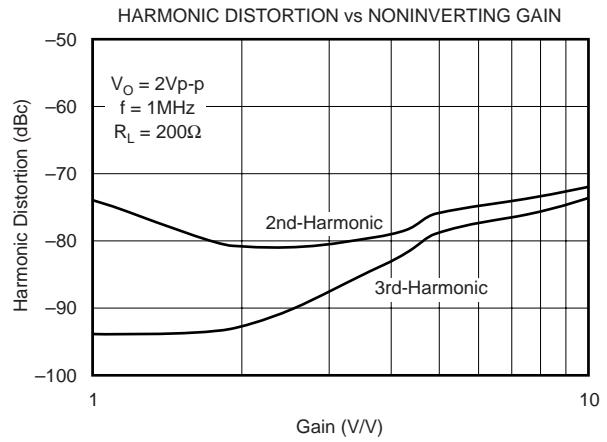
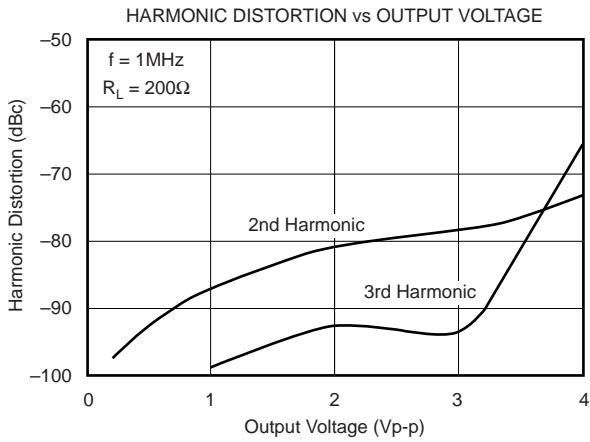
# TYPICAL CHARACTERISTICS

At  $T_A = +25^\circ\text{C}$ ,  $V_S = 5\text{V}$ ,  $G = +2$ ,  $R_F = 604\Omega$ , and  $R_L = 150\Omega$  connected to  $V_S/2$ , unless otherwise noted.



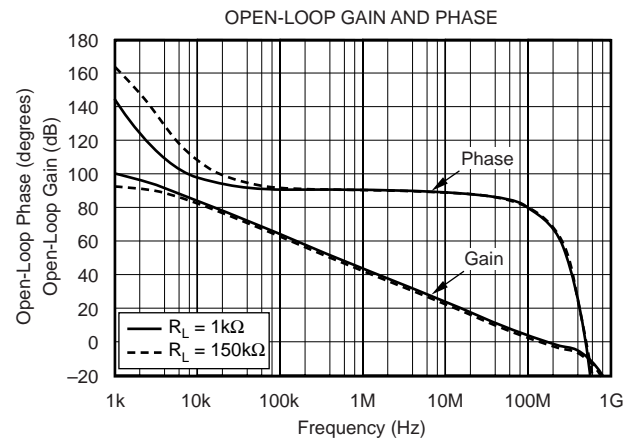
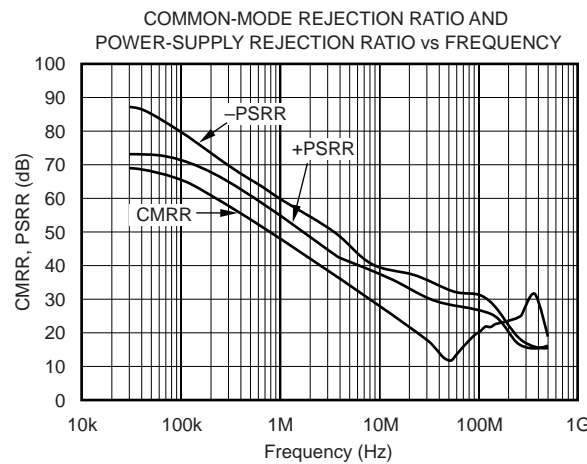
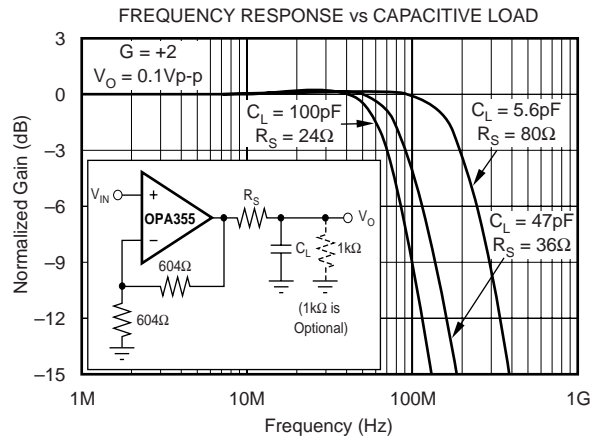
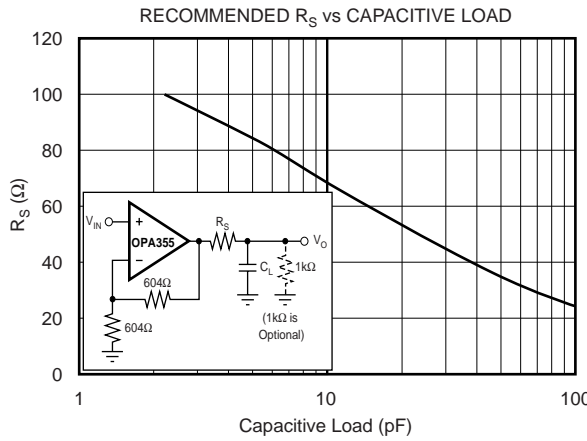
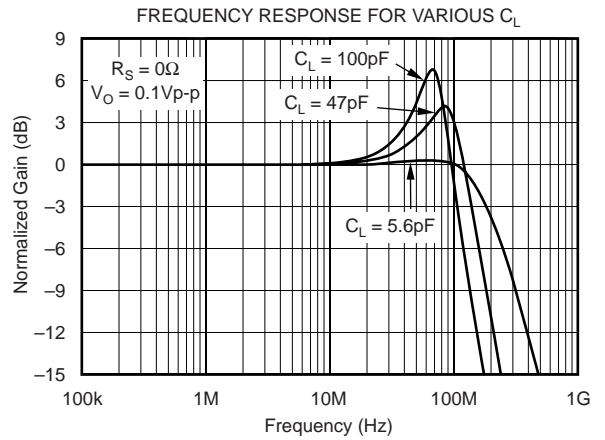
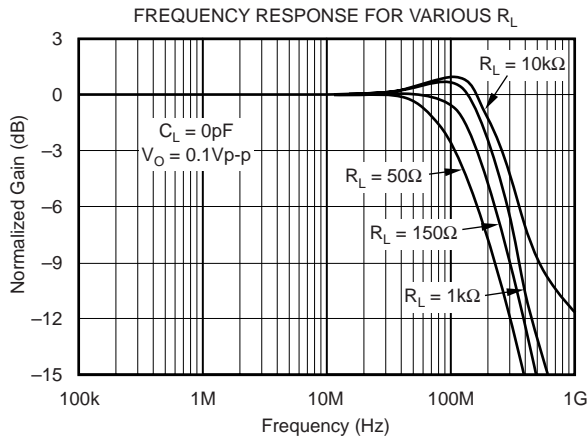
# TYPICAL CHARACTERISTICS (Cont.)

At  $T_A = +25^\circ\text{C}$ ,  $V_S = 5\text{V}$ ,  $G = +2$ ,  $R_F = 604\Omega$ , and  $R_L = 150\Omega$  connected to  $V_S/2$ , unless otherwise noted.



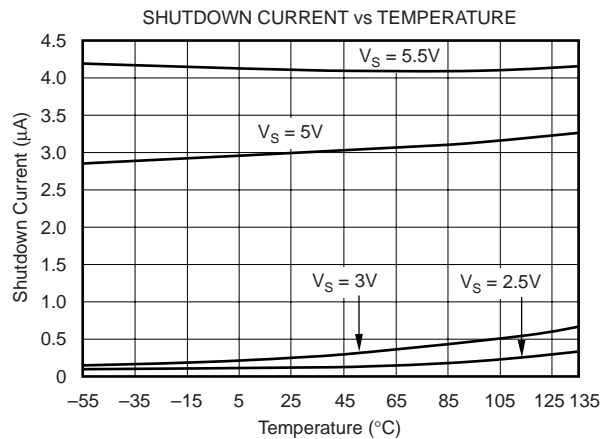
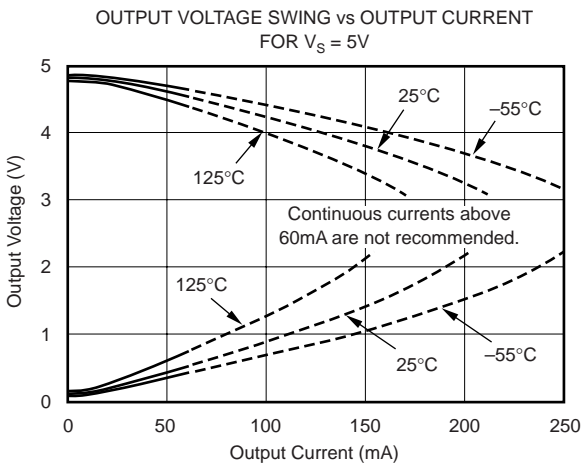
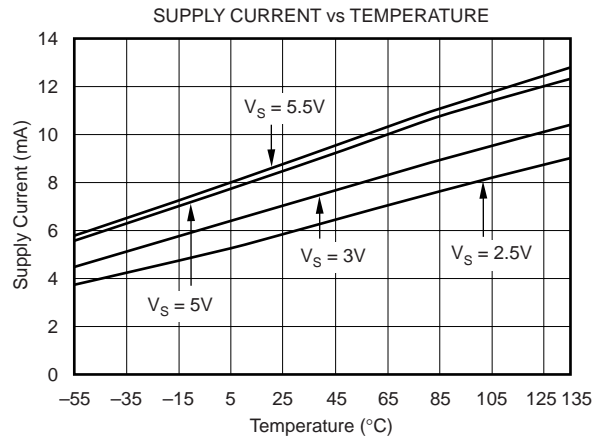
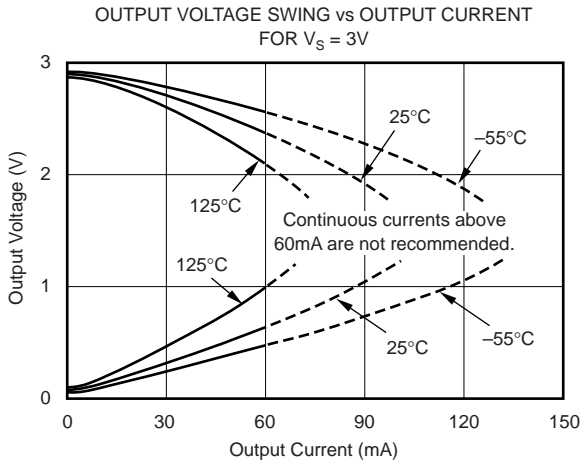
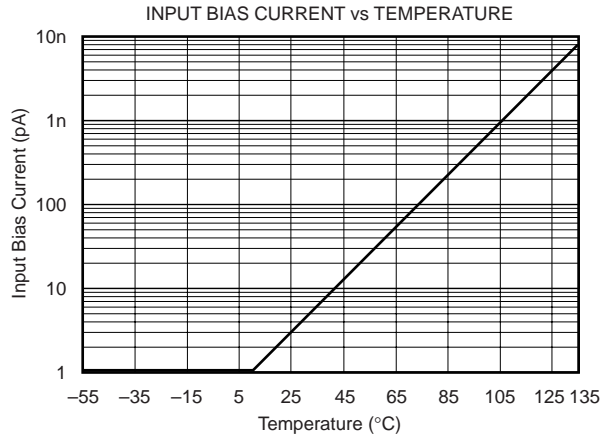
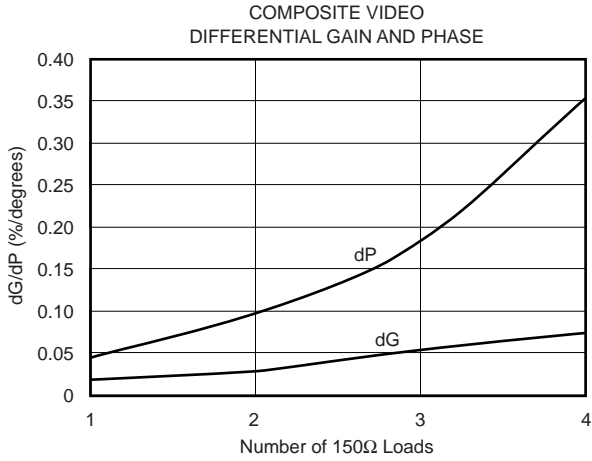
# TYPICAL CHARACTERISTICS (Cont.)

At  $T_A = +25^\circ\text{C}$ ,  $V_S = 5\text{V}$ ,  $G = +2$ ,  $R_F = 604\Omega$ , and  $R_L = 150\Omega$  connected to  $V_S/2$ , unless otherwise noted.



# TYPICAL CHARACTERISTICS (Cont.)

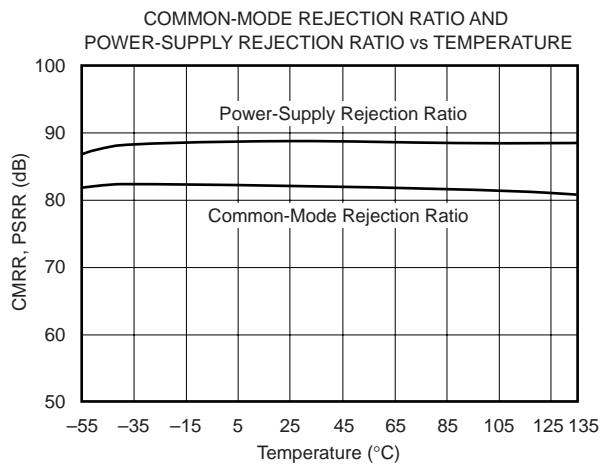
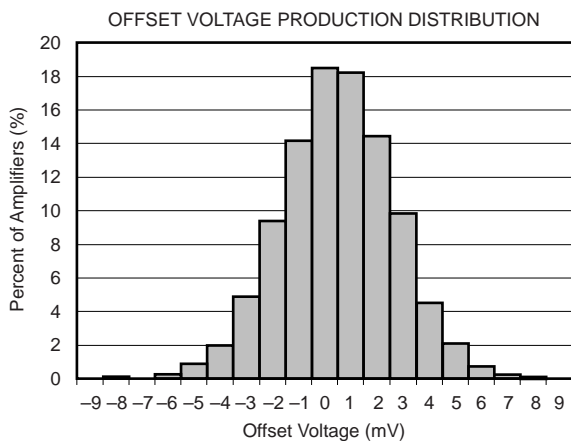
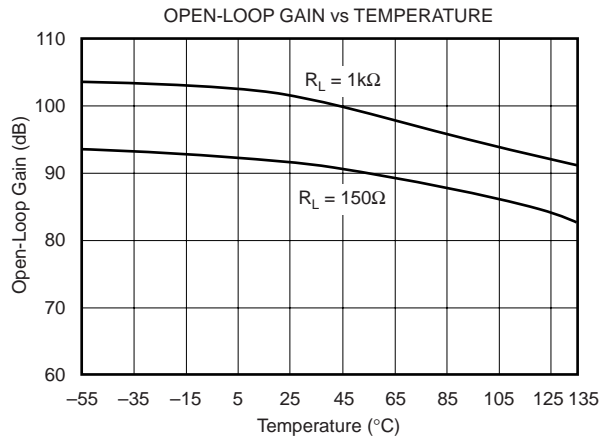
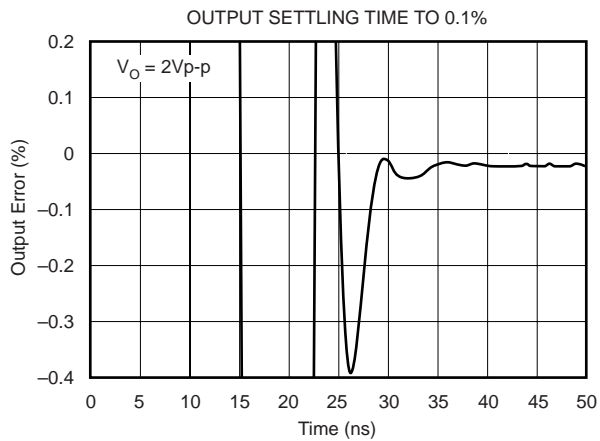
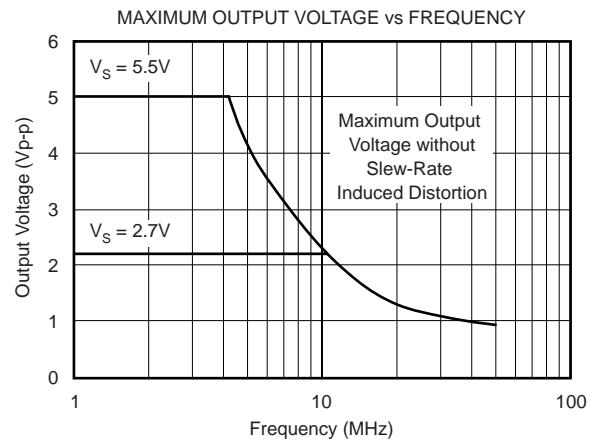
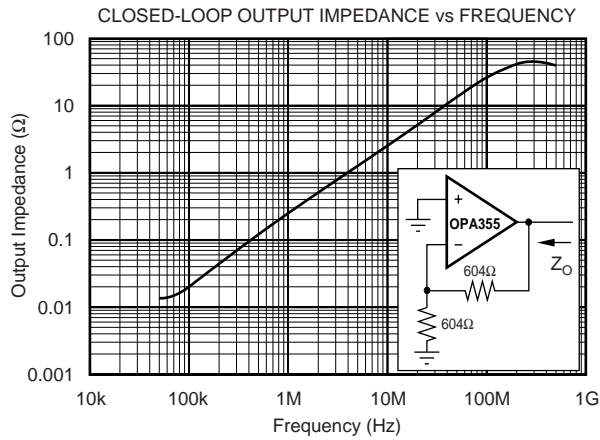
At  $T_A = +25^\circ\text{C}$ ,  $V_S = 5\text{V}$ ,  $G = +2$ ,  $R_F = 604\Omega$ , and  $R_L = 150\Omega$  connected to  $V_S/2$ , unless otherwise noted.





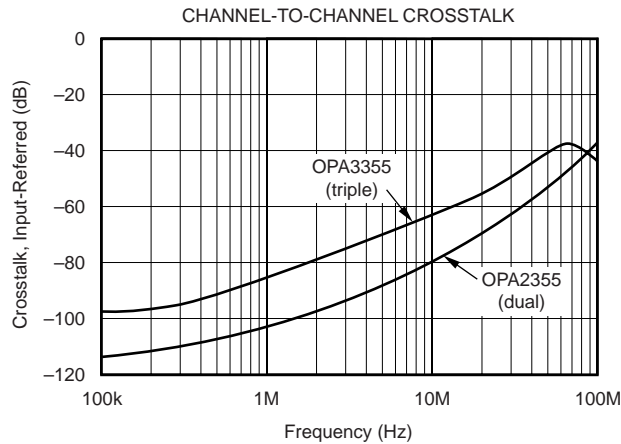
# TYPICAL CHARACTERISTICS (Cont.)

At  $T_A = +25^\circ\text{C}$ ,  $V_S = 5\text{V}$ ,  $G = +2$ ,  $R_F = 604\Omega$ , and  $R_L = 150\Omega$  connected to  $V_S/2$ , unless otherwise noted.



# TYPICAL CHARACTERISTICS (Cont.)

At  $T_A = +25^\circ\text{C}$ ,  $V_S = 5\text{V}$ ,  $G = +2$ ,  $R_F = 604\Omega$ , and  $R_L = 150\Omega$  connected to  $V_S/2$ , unless otherwise noted.



## APPLICATIONS INFORMATION

The OPA355 series is a CMOS, high-speed, voltage-feed-back, operational amplifier designed for video and other general-purpose applications. It is available as a single, dual, or triple op amp.

The amplifier features a 200MHz gain bandwidth and 360V/ $\mu\text{s}$  slew rate, but it is unity-gain stable and can be operated as a +1V/V voltage follower.

Its input common-mode voltage range includes ground, allowing the OPA355 to be used in virtually any single-supply application up to a supply voltage of +5.5V.

### PCB LAYOUT

Good high-frequency PC board layout techniques should be employed for the OPA355. Generous use of ground planes, short direct signal traces, and a suitable bypass capacitor located at the  $V+$  pin will assure clean, stable operation. Large areas of copper also provide a means of dissipating heat that is generated within the amplifier in normal operation.

Sockets are definitely not recommended for use with any high-speed amplifier.

A 10nF ceramic bypass capacitor is the minimum recommended value; adding a 1 $\mu\text{F}$  or larger tantalum capacitor in

parallel can be beneficial when driving a low-resistance load. Providing adequate bypass capacitance is essential to achieving very low harmonic and intermodulation distortion.

### OPERATING VOLTAGE

The OPA355 is specified over a power-supply range of +2.7V to +5.5V ( $\pm 1.35\text{V}$  to  $\pm 2.75\text{V}$ ). However, the supply voltage may range from +2.5V to +5.5V ( $\pm 1.25\text{V}$  to  $\pm 2.75\text{V}$ ). Supply voltages higher than 7.5V (absolute maximum) can permanently damage the amplifier.

Parameters that vary significantly over supply voltage or temperature are shown in the Typical Characteristics section of this data sheet.

### ENABLE FUNCTION

The OPA355 can be enabled by applying a TTL HIGH voltage level to the Enable pin. Conversely, a TTL LOW voltage level will disable the amplifier, reducing its supply current from 8.3mA to only 3.4 $\mu\text{A}$  per amplifier. This pin voltage is referenced to single-supply ground. When using a split-supply, such as  $\pm 2.5\text{V}$ , the enable/disable voltage levels will be referenced to  $V-$ . Independent Enable pins are available for each channel, providing maximum design flexibility. For portable battery-operated applications, this feature can be used to greatly reduce the average current and thereby extend battery life.

The Enable input can be modeled as a CMOS input gate with a 100kΩ pull-up resistor to V+. Left open, the Enable pin will assume a logic HIGH, and the amplifier will be on.

The Enable time is 100ns and the disable time is only 30ns. This allows the OPA355 to be operated as a “gated” amplifier, or to have its output multiplexed onto a common output bus. When disabled, the output assumes a high-impedance state.

## OUTPUT DRIVE

The output stage can supply high short-circuit current (typically over 200mA). Therefore, an on-chip thermal shutdown circuit is provided to protect the OPA355 from dangerously high junction temperatures. At 160°C, the protection circuit will shut down the amplifier. Normal operation will resume when the junction temperature cools to below 140°C.

NOTE: it is not recommended to run a continuous DC current in excess of ±60mA. Refer to the Typical Characteristics, *Output Voltage Swing vs Output Current*.

## VIDEO

The OPA355 output stage is capable of driving a standard back-terminated 75Ω video cable. By back-terminating a transmission line, it does not exhibit a capacitive load to its

driver. A properly back-terminated 75Ω cable does not appear as capacitance; it presents only a 150Ω resistive load to the OPA355 output.

The OPA355 can be used as an amplifier for RGB graphic signals, which have a voltage of zero at the video black level, by offsetting and AC-coupling the signal, as shown in Figure 1.

## WIDEBAND VIDEO MULTIPLEXING

One common application for video speed amplifiers which include an enable pin is to wire multiple amplifier outputs together, then select which one of several possible video inputs to source onto a single line. This simple *Wired-OR Video Multiplexer* can be easily implemented using the OPA357; see Figure 2.

## INPUT AND ESD PROTECTION

All OPA355 pins are static protected with internal ESD protection diodes tied to the supplies; see Figure 3.

These diodes will provide overdrive protection if the current is externally limited to 10mA by the source or by a resistor.

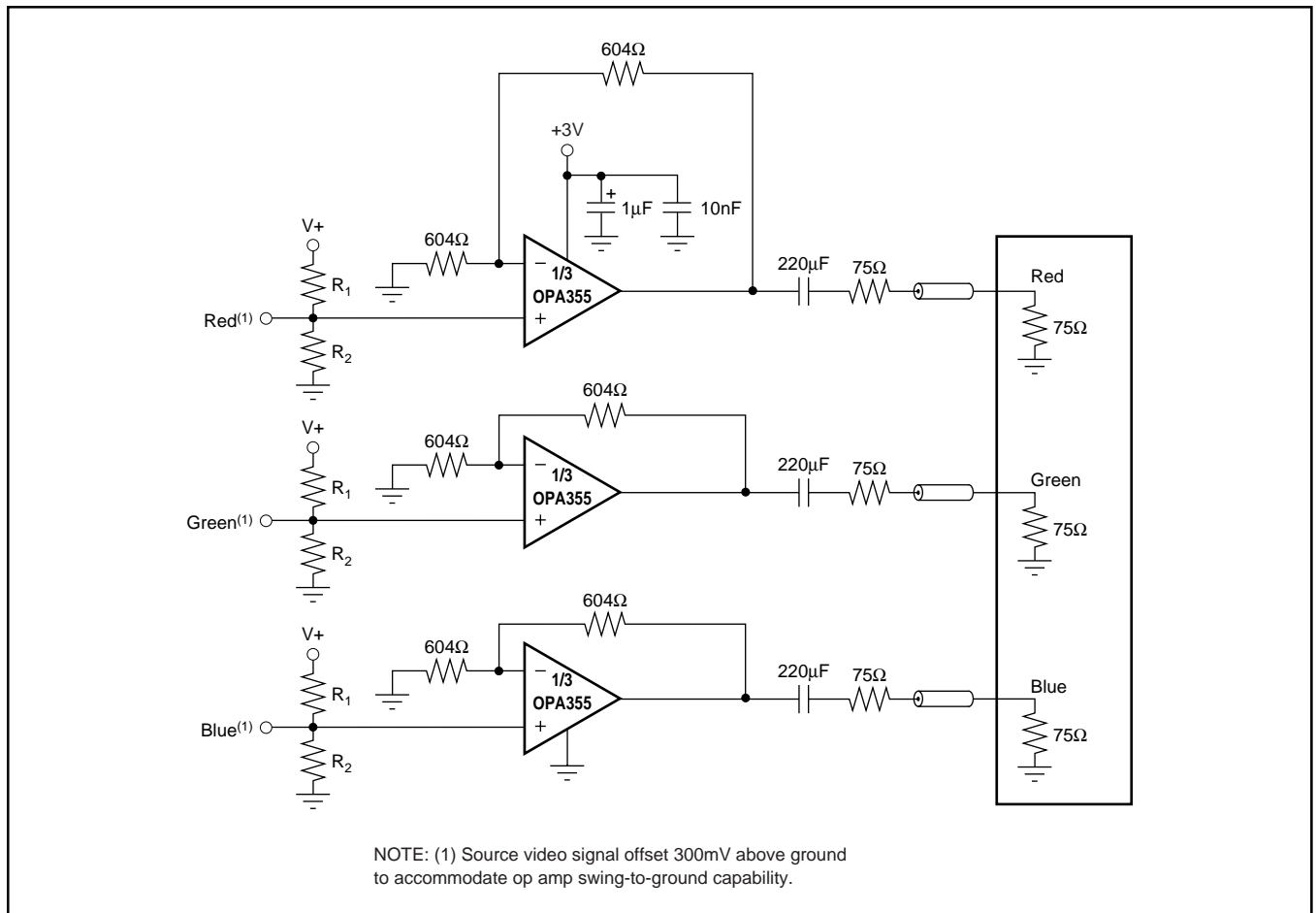


FIGURE 1. RGB Cable Driver.

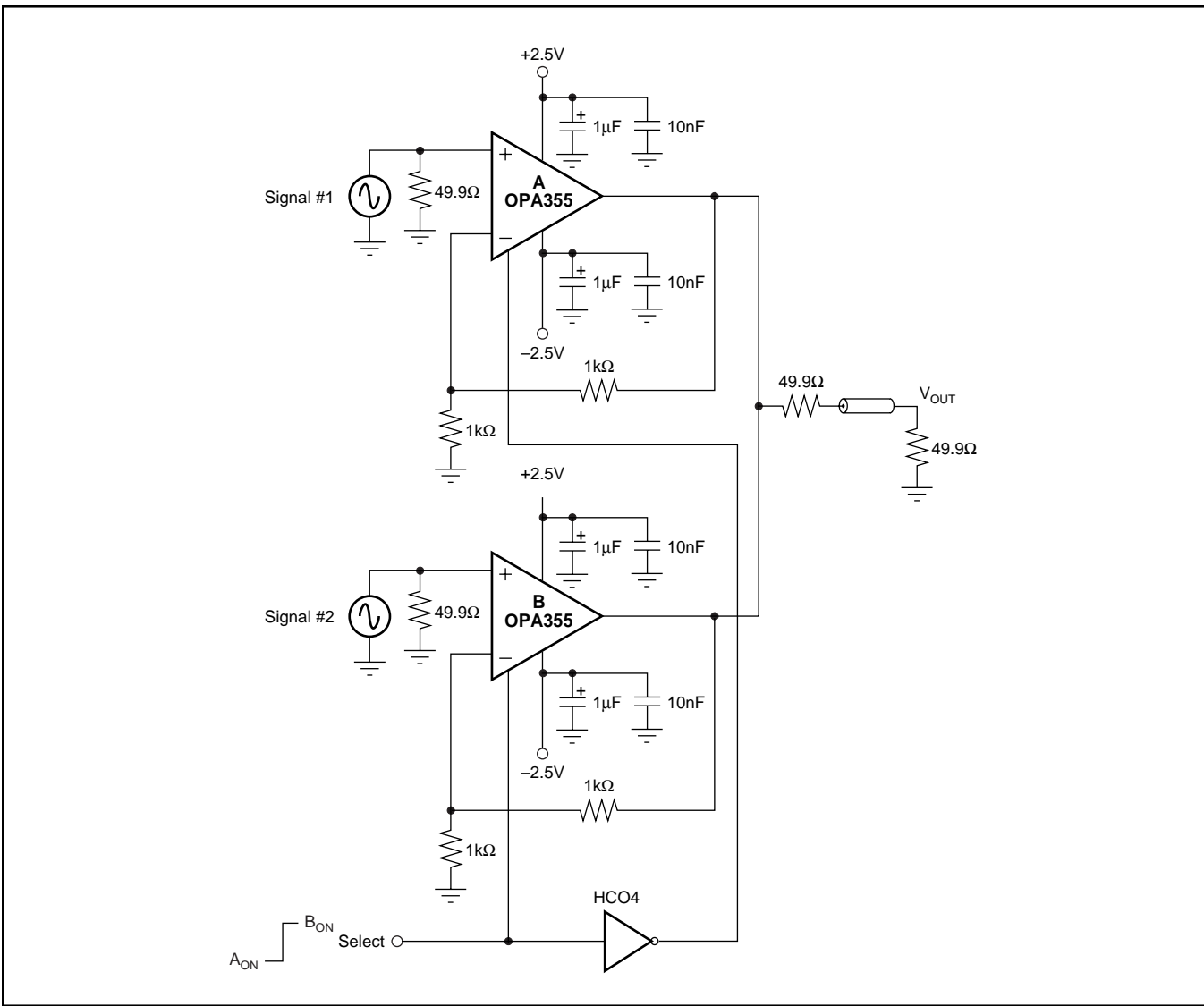


FIGURE 2. Multiplexed Output.

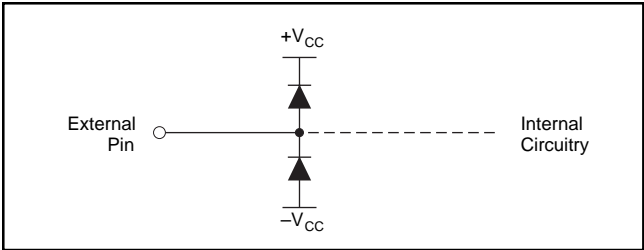


FIGURE 3. Internal ESD Protection.



DGS (S-PDSO-G10)

PLASTIC SMALL-OUTLINE PACKAGE



- NOTES:
- A. All linear dimensions are in millimeters.
  - B. This drawing is subject to change without notice.
  - C. Body dimensions do not include mold flash or protrusion.
  - D. Falls within JEDEC MO-187 variation BA.

D (R-PDSO-G14)

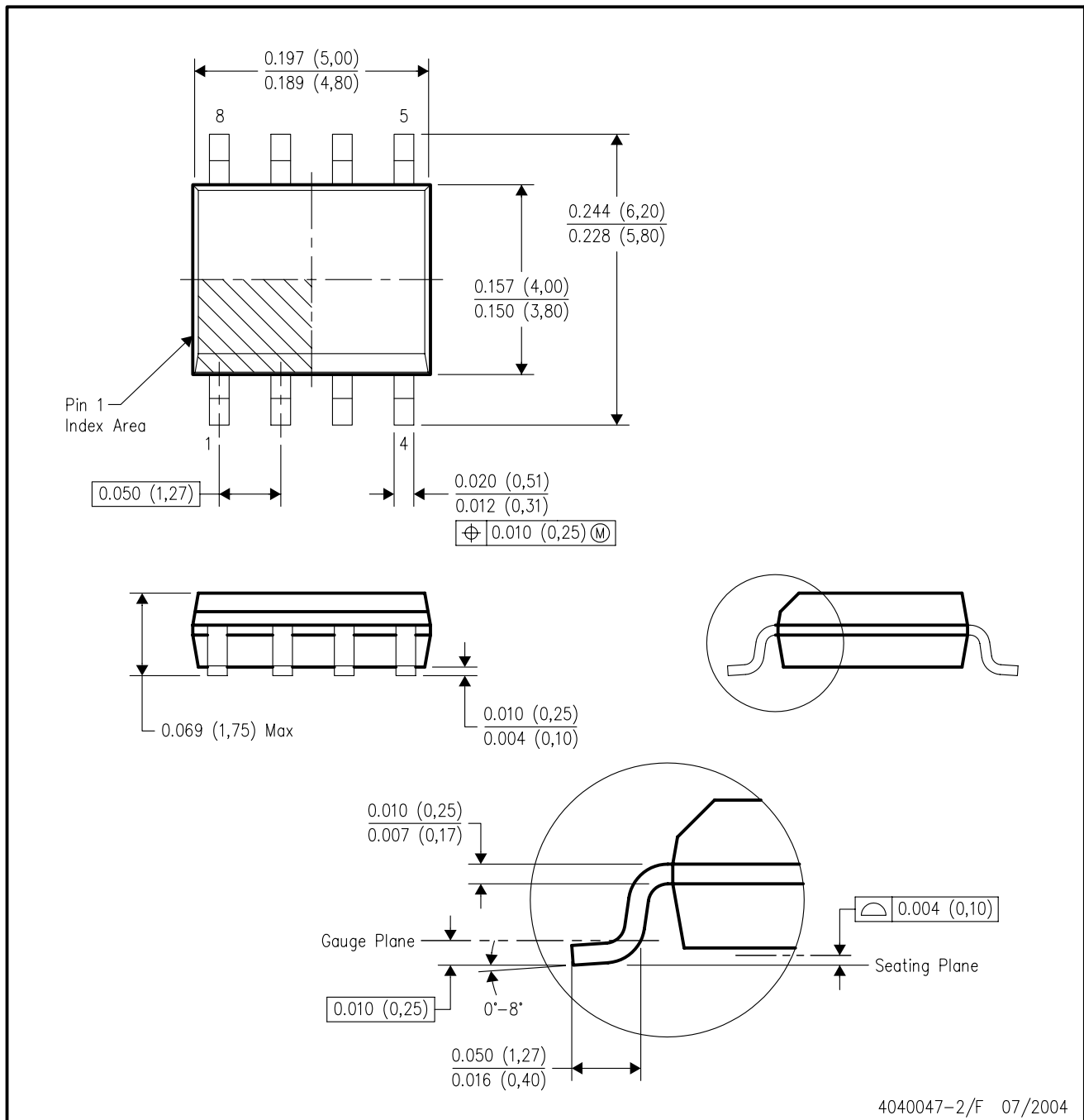
PLASTIC SMALL-OUTLINE PACKAGE



- NOTES:
- A. All linear dimensions are in inches (millimeters).
  - B. This drawing is subject to change without notice.
  - C. Body dimensions do not include mold flash or protrusion not to exceed 0.006 (0,15).
  - D. Falls within JEDEC MS-012 variation AB.

D (R-PDSO-G8)

PLASTIC SMALL-OUTLINE PACKAGE



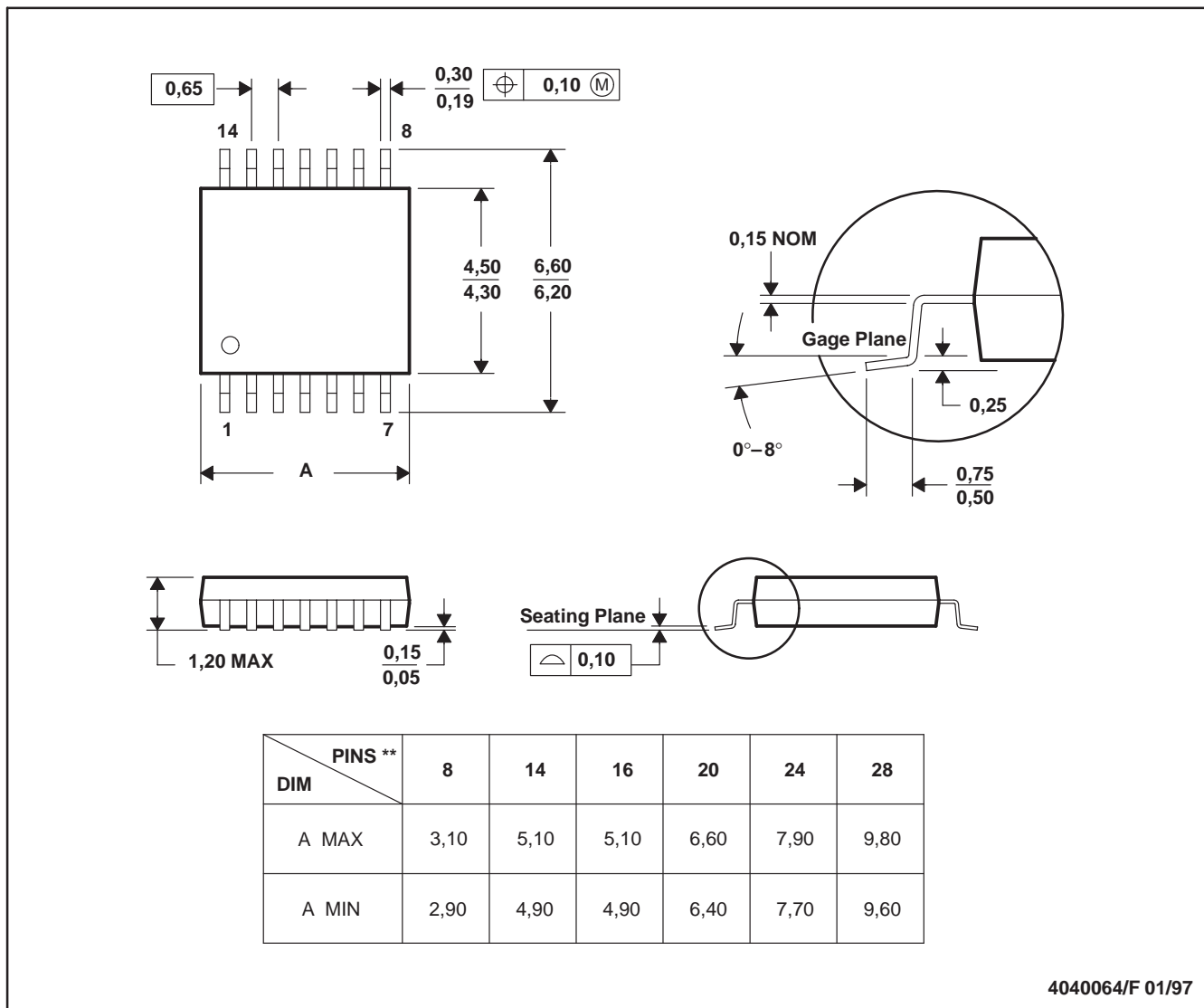
- NOTES:
- A. All linear dimensions are in inches (millimeters).
  - B. This drawing is subject to change without notice.
  - C. Body dimensions do not include mold flash or protrusion not to exceed 0.006 (0,15).
  - D. Falls within JEDEC MS-012 variation AA.



PW (R-PDSO-G\*\*)

PLASTIC SMALL-OUTLINE PACKAGE

14 PINS SHOWN



4040064/F 01/97

- NOTES: A. All linear dimensions are in millimeters.  
 B. This drawing is subject to change without notice.  
 C. Body dimensions do not include mold flash or protrusion not to exceed 0,15.  
 D. Falls within JEDEC MO-153

## IMPORTANT NOTICE

Texas Instruments Incorporated and its subsidiaries (TI) reserve the right to make corrections, modifications, enhancements, improvements, and other changes to its products and services at any time and to discontinue any product or service without notice. Customers should obtain the latest relevant information before placing orders and should verify that such information is current and complete. All products are sold subject to TI's terms and conditions of sale supplied at the time of order acknowledgment.

TI warrants performance of its hardware products to the specifications applicable at the time of sale in accordance with TI's standard warranty. Testing and other quality control techniques are used to the extent TI deems necessary to support this warranty. Except where mandated by government requirements, testing of all parameters of each product is not necessarily performed.

TI assumes no liability for applications assistance or customer product design. Customers are responsible for their products and applications using TI components. To minimize the risks associated with customer products and applications, customers should provide adequate design and operating safeguards.

TI does not warrant or represent that any license, either express or implied, is granted under any TI patent right, copyright, mask work right, or other TI intellectual property right relating to any combination, machine, or process in which TI products or services are used. Information published by TI regarding third-party products or services does not constitute a license from TI to use such products or services or a warranty or endorsement thereof. Use of such information may require a license from a third party under the patents or other intellectual property of the third party, or a license from TI under the patents or other intellectual property of TI.

Reproduction of information in TI data books or data sheets is permissible only if reproduction is without alteration and is accompanied by all associated warranties, conditions, limitations, and notices. Reproduction of this information with alteration is an unfair and deceptive business practice. TI is not responsible or liable for such altered documentation.

Resale of TI products or services with statements different from or beyond the parameters stated by TI for that product or service voids all express and any implied warranties for the associated TI product or service and is an unfair and deceptive business practice. TI is not responsible or liable for any such statements.

Following are URLs where you can obtain information on other Texas Instruments products and application solutions:

| <b>Products</b>  |  | <b>Applications</b> |  |
|------------------|--|---------------------|--|
| Amplifiers       | <a href="http://amplifier.ti.com">amplifier.ti.com</a>             | Audio               | <a href="http://www.ti.com/audio">www.ti.com/audio</a>                   |
| Data Converters  | <a href="http://dataconverter.ti.com">dataconverter.ti.com</a>     | Automotive          | <a href="http://www.ti.com/automotive">www.ti.com/automotive</a>         |
| DSP              | <a href="http://dsp.ti.com">dsp.ti.com</a>                         | Broadband           | <a href="http://www.ti.com/broadband">www.ti.com/broadband</a>           |
| Interface        | <a href="http://interface.ti.com">interface.ti.com</a>             | Digital Control     | <a href="http://www.ti.com/digitalcontrol">www.ti.com/digitalcontrol</a> |
| Logic            | <a href="http://logic.ti.com">logic.ti.com</a>                     | Military            | <a href="http://www.ti.com/military">www.ti.com/military</a>             |
| Power Mgmt       | <a href="http://power.ti.com">power.ti.com</a>                     | Optical Networking  | <a href="http://www.ti.com/opticalnetwork">www.ti.com/opticalnetwork</a> |
| Microcontrollers | <a href="http://microcontroller.ti.com">microcontroller.ti.com</a> | Security            | <a href="http://www.ti.com/security">www.ti.com/security</a>             |
|                  |  | Telephony           | <a href="http://www.ti.com/telephony">www.ti.com/telephony</a>           |
|                  |  | Video & Imaging     | <a href="http://www.ti.com/video">www.ti.com/video</a>                   |
|                  |  | Wireless            | <a href="http://www.ti.com/wireless">www.ti.com/wireless</a>             |

Mailing Address: Texas Instruments  
Post Office Box 655303 Dallas, Texas 75265

Copyright © 2004, Texas Instruments Incorporated