

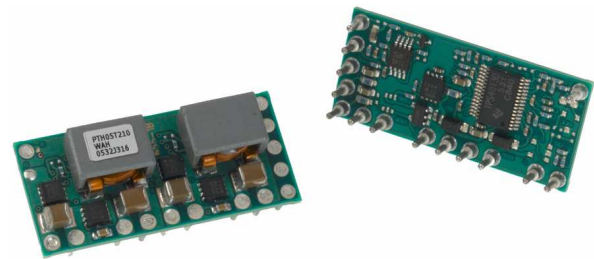
## 30-A, 5.5-V to 14-V INPUT, NON-ISOLATED, WIDE OUTPUT ADJUST, POWER MODULE w/*TurboTrans*<sup>™</sup>

### FEATURES

- Up to 30-A Output Current
- 5.5-V to 14-V Input Voltage
- Wide-Output Voltage Adjust (0.7 V to 3.6 V)
- Efficiencies up to 96%
- $\pm 1.5\%$  Total Output Voltage Variation
- On/Off Inhibit
- Differential Output Voltage Remote Sense
- Adjustable Undervoltage Lockout
- Output Overcurrent Protection (Nonlatching, Auto-Reset)
- Operating Temperature:  $-40^{\circ}\text{C}$  to  $85^{\circ}\text{C}$
- Safety Agency Approvals: (Pending)
  - UL 1950, CSA 22.2 950, EN60950 VDE
- TurboTrans<sup>™</sup> Technology
- Designed to meet Ultra-Fast Transient Requirements up to 300 A/ $\mu\text{s}$
- Auto-Track<sup>™</sup> Sequencing
- Multi-Phase, Switch-Mode Topology

### APPLICATIONS

- Complex Multi-Voltage Systems
- Microprocessors
- Bus Drivers



### DESCRIPTION

The PTH08T210W is a high-performance 30-A rated, non-isolated power module which utilizes a multi-phase, switch-mode topology. This module represents the 2nd generation of the PTH series power modules which include a reduced footprint and improved features.

Operating from an input voltage range of 5.5 V to 14 V, the PTH08T210W requires a single resistor to set the output voltage to any value over the range, 0.7 V to 3.6 V. The wide input voltage range makes the PTH08T210W particularly suitable for advanced computing and server applications that use a loosely regulated 8-V to 12-V intermediate distribution bus. The module uses double-sided surface mount construction to provide a low profile and compact footprint. Package options include both through-hole and surface mount configurations that are lead (Pb) – free and RoHS compatible.

A new feature included in this 2nd generation of PTH and PTV modules is TurboTrans<sup>™</sup> technology (patent pending). TurboTrans allows the transient response of the regulator to be optimized externally, resulting in a reduction of output voltage deviation following a load transient and a reduction in required output capacitance. This feature also offers enhanced stability when used with ultra-low ESR output capacitors.

The PTH08T210W incorporates a comprehensive list of standard features. They include on/off inhibit, a differential remote output voltage sense which ensures tight load regulation, and an output overcurrent and overtemperature shutdown to protect against load faults. A programmable undervoltage lockout allows the turn-on voltage threshold to be customized. AutoTrack<sup>™</sup> sequencing is a feature which simplifies the simultaneous power-up and power-down of multiple modules in a power system by allowing the outputs to track a common voltage.

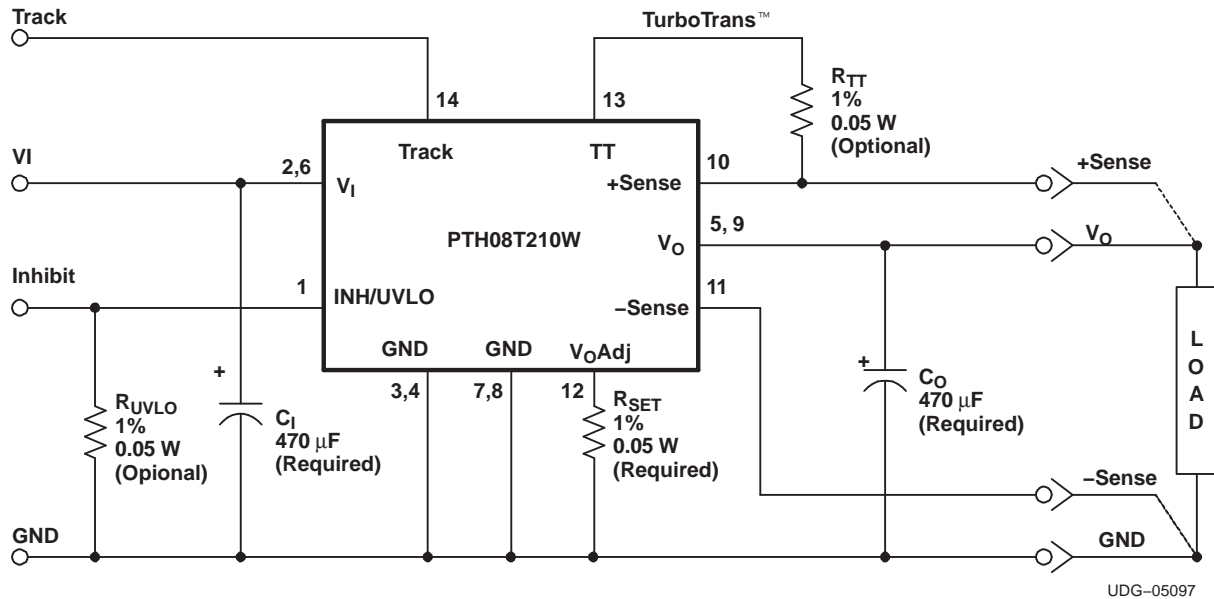


Please be aware that an important notice concerning availability, standard warranty, and use in critical applications of Texas Instruments semiconductor products and disclaimers thereto appears at the end of this data sheet.

TurboTrans, AutoTrack, TMS320 are trademarks of Texas Instruments.



These devices have limited built-in ESD protection. The leads should be shorted together or the device placed in conductive foam during storage or handling to prevent electrostatic damage to the MOS gates.



UDG-05097

A.  $R_{SET}$  is required to set the output voltage higher than 0.7 V. See the *Electrical Characteristics* table.

**ORDERING INFORMATION**

For the most current package and ordering information, see the Package Option Addendum at the end of this datasheet, or see the TI website at [www.ti.com](http://www.ti.com).

**DATASHEET TABLE OF CONTENTS**

DATASHEET SECTION	PAGE NUMBER
ENVIRONMENTAL AND ABSOLUTE MAXIMUM RATINGS	3
ELECTRICAL CHARACTERISTICS TABLE (PTH08T210W)	4
TERMINAL FUNCTIONS	6
TYPICAL CHARACTERISTICS ( $V_I = 12V$ )	7
TYPICAL CHARACTERISTICS ( $V_I = 8V$ )	8
INPUT & OUTPUT CAPACITOR RECOMMENDATIONS	9
TURBOTRANS™ INFORMATION	13
ADJUSTING THE OUTPUT VOLTAGE	18
UNDERVOLTAGE LOCKOUT (UVLO)	20
SOFT-START POWER-UP	21
REMOTE SENSE	21
OUTPUT INHIBIT	22
OVER-CURRENT PROTECTION	22
OVER-TEMPERATURE PROTECTION	23
AUTO-TRACK SEQUENCING	23
TAPE & REEL AND TRAY DRAWINGS	26

**ENVIRONMENTAL AND ABSOLUTE MAXIMUM RATINGS**

(Voltages are with respect to GND)

		UNIT	UNIT
Signal input voltage	Track control (pin 14)	-0.3 to $V_I + 0.3$	V
$T_A$ Operating temperature range	Over $V_I$ range	-40 to 85	°C
$T_{wave}$ Wave soldering temperature	Surface temperature of module body or pins (20 seconds)	PTH08T210WAD 260	
$T_{reflow}$ Solder reflow temperature	Surface temperature of module body or pins (20 seconds)	PTH08T210WAS 235 <sup>(1)</sup>	
		PTH08T210WAZ 260 <sup>(1)</sup>	
$T_{stg}$ Storage temperature		-40 to 125 <sup>(2)</sup>	
Mechanical shock	Per Mil-STD-883D, Method 2002.3 1 msec, ½ sine, mounted	250	G
Mechanical vibration	Mil-STD-883D, Method 2007.2 20-2000 Hz	15	
Weight		8.5	grams
Flammability	Meets UL94V-O		

(1) During reflow of surface mount package version do not elevate peak temperature of the module, pins or internal components above the stated maximum.

(2) The shipping tray or tape &amp; reel cannot be used to bake parts at temperatures higher than 65°C.

**ELECTRICAL CHARACTERISTICS**

$T_A = 25^\circ\text{C}$ ,  $V_I = 12\text{ V}$ ,  $V_O = 3.3\text{ V}$ ,  $C_I = 470\ \mu\text{F}$ ,  $C_O = 470\ \mu\text{F OS-CON}$ , and  $I_O = I_O\ \text{max}$  (unless otherwise stated)

PARAMETER		TEST CONDITIONS		MIN	TYP	MAX	UNIT
$I_O$	Output current	25°C, natural convection		0		25	A
		60°C, 200 LFM		0		30	
$V_I$	Input voltage range	Over $I_O$ range		5.5		14	V
$V_O$	Output adjust range	Over $I_O$ range		0.7		3.6	V
	Set-point voltage tolerance					$\pm 1^{(1)}$	$\%V_O$
	Temperature variation	$-40^\circ\text{C} < T_A < 85^\circ\text{C}$			$\pm 0.3$		$\%V_O$
	Line regulation	Over $V_I$ range			$\pm 4$		mV
	Load regulation	Over $I_O$ range			$\pm 7$		mV
	Total output variation	Includes set-point, line, load, $-40^\circ\text{C} \leq T_A \leq 85^\circ\text{C}$				$\pm 1.5^{(1)}$	$\%V_O$
	$\eta$	Efficiency	$I_O = 26\text{ A}$	$R_{SET} = 1.62\text{ k}\Omega$ , $V_O = 3.3\text{ V}$		93%	
$R_{SET} = 5.23\text{ k}\Omega$ , $V_O = 2.5\text{ V}$					91%		
$R_{SET} = 12.7\text{ k}\Omega$ , $V_O = 1.8\text{ V}$					89%		
$R_{SET} = 19.6\text{ k}\Omega$ , $V_O = 1.5\text{ V}$					89%		
$R_{SET} = 35.7\text{ k}\Omega$ , $V_O = 1.2\text{ V}$					87%		
$R_{SET} = 63.4\text{ k}\Omega$ , $V_O = 1.0\text{ V}$					84%		
Open, $V_O = 0.7\text{ V}$					80%		
$V_O$ Ripple (peak-to-peak)	20-MHz bandwidth			25		mV <sub>pp</sub>	
$I_{LIM}$	Overcurrent threshold	Reset, followed by auto-recovery			55		A
$t_{tr}$ $\Delta V_{tr}$	Transient response	2.5 A/ $\mu\text{s}$ load step 50 to 100% $I_{Omax}$	w/o TurboTrans $C_O = 470\ \mu\text{F}$	Recovery time	50		$\mu\text{s}$
$t_{tr}$ $\Delta V_{tr}$			w/o TurboTrans $C_O = 940\ \mu\text{F}$ , Type C	$V_O$ over/undershoot	150		mV
$t_{trTT}$ $\Delta V_{trTT}$			w/ TurboTrans $C_O = 940\ \mu\text{F}$ , Type C	Recovery time	50		$\mu\text{s}$
$t_{trTT}$ $\Delta V_{trTT}$			w/ TurboTrans $C_O = 940\ \mu\text{F}$ , Type C	$V_O$ over/undershoot	85		mV
$I_{IL}$	Track input current (pin 14)	Pin to GND				-130 <sup>(2)</sup>	$\mu\text{A}$
$dV_{track}/dt$	Track slew rate capability	$C_O \leq C_O\ (\text{max})$				1	V/ms
$UVLO_{ADJ}$	Adjustable Undervoltage lockout (pin 1)	Pin 1 open	$V_I$ increasing		5	5.5	V
			$V_I$ decreasing		4.1		
Inhibit control (pin 1)	Input high voltage ( $V_{IH}$ )				Open <sup>(3)</sup>		V
	Input low voltage ( $V_{IL}$ )			-0.2	0.6		
	Input low current ( $I_{IL}$ )				125		
$I_{in}$	Input standby current	Inhibit (pin 1) to GND, Track (pin 14) open			3		mA
$f_s$	Switching frequency	Over $V_I$ and $I_O$ ranges			480		kHz
$C_I$	External input capacitance				470 <sup>(4)</sup>		$\mu\text{F}$

- (1) The set-point voltage tolerance is affected by the tolerance and stability of  $R_{SET}$ . The stated limit is unconditionally met if  $R_{SET}$  has a tolerance of 1% with 100 ppm/°C or better temperature stability.
- (2) A low-leakage (<100 nA), open-drain device, such as MOSFET or voltage supervisor IC, is recommended to control pin 14. The open-circuit voltage is less than 5 Vdc.
- (3) This control pin has an internal pullup. If it is left open-circuit, the module operates when input power is applied. A small, low-leakage (<100 nA) MOSFET is recommended for control. The open-circuit voltage is less than 5 Vdc. For additional information, see the related application note.
- (4) A 470  $\mu\text{F}$  electrolytic input capacitor is required for proper operation. The capacitor must be rated for a minimum of 500 mA rms of ripple current.

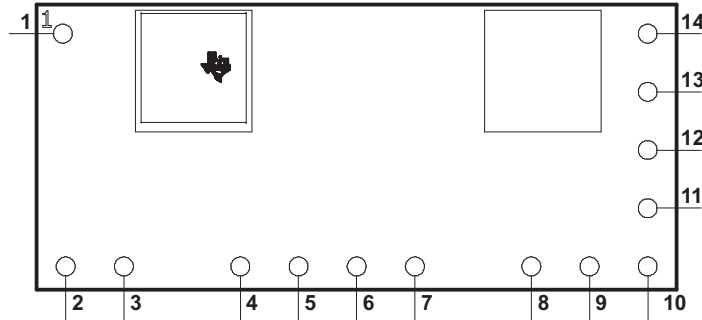
## ELECTRICAL CHARACTERISTICS (continued)

$T_A = 25^\circ\text{C}$ ,  $V_I = 12\text{ V}$ ,  $V_O = 3.3\text{ V}$ ,  $C_I = 470\ \mu\text{F}$ ,  $C_O = 470\ \mu\text{F OS-CON}$ , and  $I_O = I_O\ \text{max}$  (unless otherwise stated)

PARAMETER		TEST CONDITIONS		MIN	TYP	MAX	UNIT
$C_O$	External output capacitance	w/out TurboTrans	Capacitance Value	470 <sup>(5)</sup>		12,000 <sup>(6)</sup>	$\mu\text{F}$
						5000	
		Equivalent series resistance (nonceramic)	3 <sup>(7)</sup>			$\text{m}\Omega$	
	w/ TurboTrans	Capacitance Value	See TT chart <sup>(8)</sup>		12,000 <sup>(9)</sup>	$\mu\text{F}$	
	Capacitance $\times$ ESR product ( $C_O \times \text{ESR}$ )			10,000 <sup>(10)</sup>	$\mu\text{F} \times \text{m}\Omega$		
MTBF	Reliability	Per Bellcore TR-332, 50% stress, $T_A = 40^\circ\text{C}$ , ground benign		3.6			$10^6\ \text{Hr}$

- (5) A minimum value of external output capacitor is required for proper operation. Adding additional capacitance at the load further improves transient response. See the Capacitor Application Information section for more guidance.
- (6) This is the calculated maximum. This value includes both ceramic and non-ceramic capacitors. The minimum ESR requirement often results in a lower value. See the related Application Information for more guidance.
- (7) This is the minimum ESR for all the electrolytic (nonceramic) capacitance. Use  $5\ \text{m}\Omega$  as the minimum when using manufacturer's max-ESR values to calculate.
- (8) Minimum capacitance will be determined by your transient deviation requirement. A corresponding resistor,  $R_{TT}$  is required for proper operation. See the TurboTrans Selection section for guidance in selecting the capacitance and  $R_{TT}$  value.
- (9) This is the calculated maximum. This value includes both ceramic and non-ceramic capacitors.
- (10) When calculating the Capacitance  $\times$  ESR product use the capacitance and ESR values of a single capacitor. For an output capacitor bank of several capacitor types and values, calculate the  $C \times \text{ESR}$  product using the values of the capacitor that makes up the majority of the capacitance.

PTH08T210W  
(TOP VIEW)



TERMINAL FUNCTIONS

TERMINAL		DESCRIPTION
NAME	NO.	
$V_I$	2, 6	The positive input voltage power node to the module, which is referenced to common GND.
$V_O$	5, 9	The regulated positive power output with respect to the GND.
GND	3, 4 7, 8	This is the common ground connection for the $V_I$ and $V_O$ power connections. It is also the 0 $V_{dc}$ reference for the control inputs.
Inhibit <sup>(1)</sup> / UVLO adjust	1	<p>The Inhibit pin is an open-collector/drain, negative logic input that is referenced to GND. Applying a low level ground signal to this input disables the module's output and turns off the output voltage. When the Inhibit control is active, the input current drawn by the regulator is significantly reduced. If the Inhibit pin is left open-circuit, the module produces an output whenever a valid input source is applied. This input is not compatible with TTL logic devices and should not be tied to <math>V_I</math> or any other voltage.</p> <p>This pin is also used for input undervoltage lockout (UVLO) programming. Connecting a resistor from this pin to GND (pin 3) allows the ON threshold of the UVLO to be adjusted higher than the default value. For more information, see the Application Information section.</p>
$V_O$ Adjust	12	A 0.1 W 1% resistor must be directly connected between this pin and pin 8 (GND) to set the output voltage to a value higher than 0.7 V. The temperature stability of the resistor should be 100 ppm/°C (or better). The setpoint range for the output voltage is from 0.7 V to 3.6 V. If left open circuit, the output voltage will default to its lowest value. For further information, on output voltage adjustment see the related application note. The specification table gives the preferred resistor values for a number of standard output voltages.
+ Sense	10	The sense input allows the regulation circuit to compensate for voltage drop between the module and the load. For optimal voltage accuracy, +Sense must be connected to $V_O$ , very close to the load.
– Sense	11	The sense input allows the regulation circuit to compensate for voltage drop between the module and the load. For optimal voltage accuracy, –Sense must be connected to GND (pin 8), very close to the load.
Track	14	<p>This is an analog control input that enables the output voltage to follow an external voltage. This pin becomes active typically 20 ms after the input voltage has been applied, and allows direct control of the output voltage from 0 V up to the nominal set-point voltage. Within this range the module's output voltage follows the voltage at the Track pin on a volt-for-volt basis. When the control voltage is raised above this range, the module regulates at its set-point voltage. The feature allows the output voltage to rise simultaneously with other modules powered from the same input bus. If unused, this input should be connected to <math>V_I</math>.</p> <p>NOTE: Due to the undervoltage lockout feature, the output of the module cannot follow its own input voltage during power up. For more information, see the related application note.</p>
<i>TurboTrans™</i>	13	This input pin adjusts the transient response of the regulator. To activate the <i>TurboTrans™</i> feature, a 1%, 50 mW resistor must be connected between this pin and pin 10 (+Sense) very close to the module. For a given value of output capacitance, a reduction in peak output voltage deviation is achieved by using this feature. If unused, this pin must be left open-circuit. External capacitance must never be connected to this pin. The resistance requirement can be selected from the TurboTrans™ resistor table in the Application Information section.

(1) Denotes negative logic: Open = Normal operation, Ground = Function active

TYPICAL CHARACTERISTICS<sup>(1)(2)</sup>

CHARACTERISTIC DATA ( $V_I = 12\text{ V}$ )

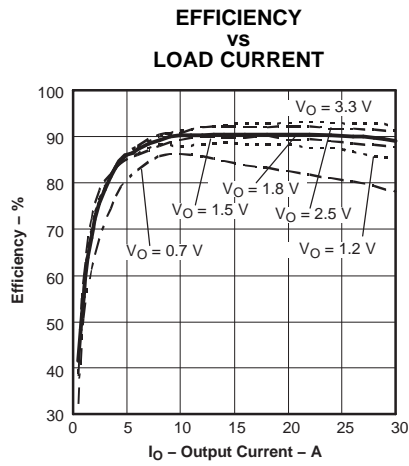


Figure 1.

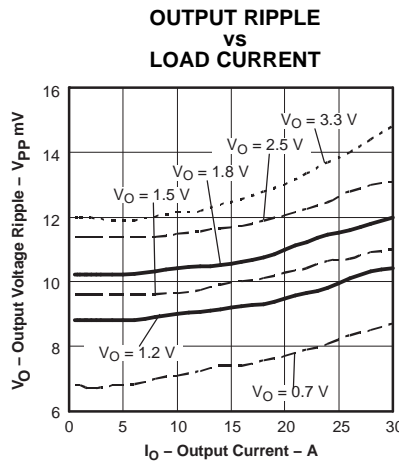


Figure 2.

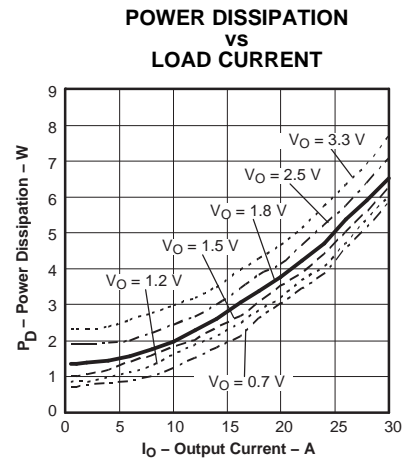


Figure 3.

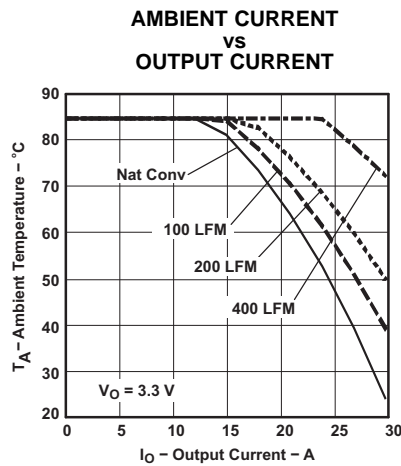


Figure 4.

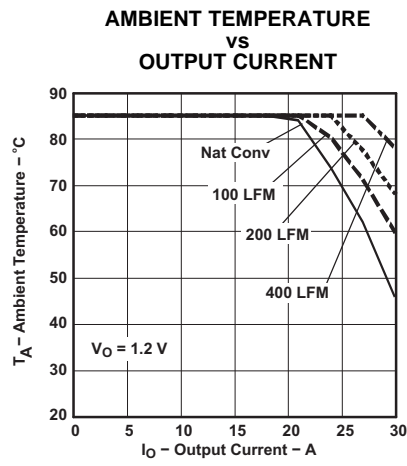


Figure 5.

- (1) The electrical characteristic data has been developed from actual products tested at 25°C. This data is considered typical for the converter. Applies to [Figure 1](#), [Figure 2](#), and [Figure 3](#).
- (2) The temperature derating curves represent the conditions at which internal components are at or below the manufacturer's maximum operating temperatures. Derating limits apply to modules soldered directly to a 100 mm × 100 mm double-sided PCB with 2 oz. copper. Applies to [Figure 5](#) and [Figure 4](#).

TYPICAL CHARACTERISTICS<sup>(1)(2)</sup>

CHARACTERISTIC DATA ( $V_I = 8\text{ V}$ )

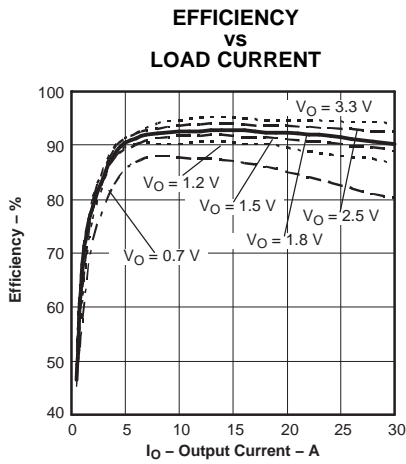


Figure 6.

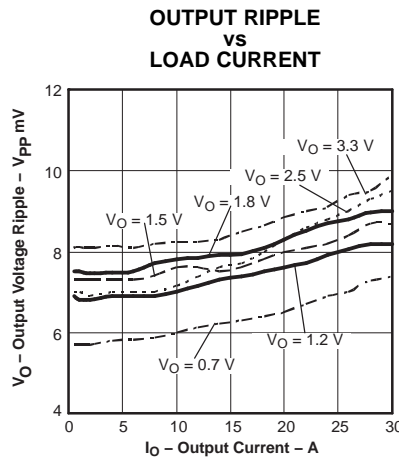


Figure 7.

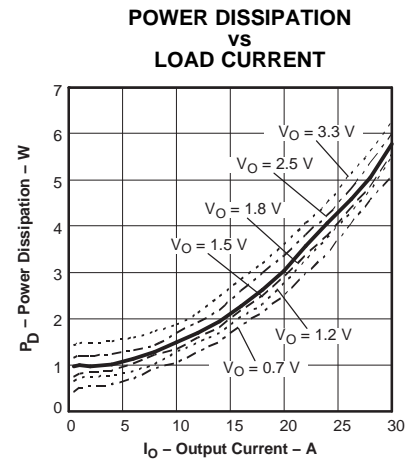


Figure 8.

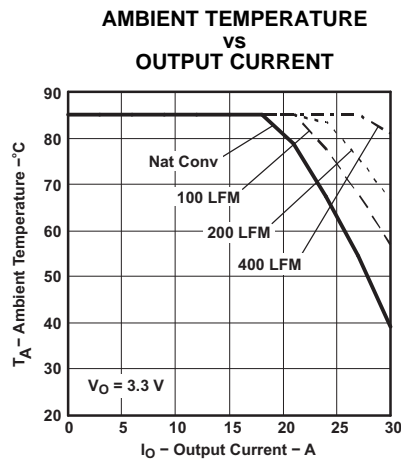


Figure 9.

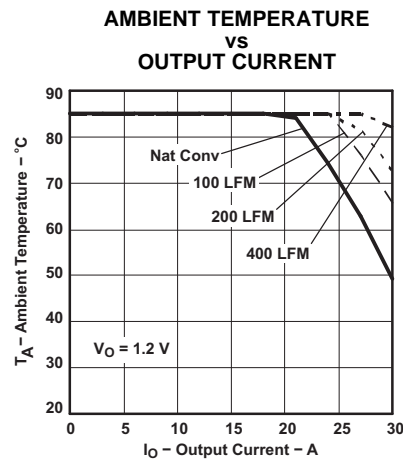


Figure 10.

- (1) The electrical characteristic data has been developed from actual products tested at 25°C. This data is considered typical for the converter. Applies to [Figure 6](#), [Figure 7](#), and [Figure 8](#).
- (2) The temperature derating curves represent the conditions at which internal components are at or below the manufacturer's maximum operating temperatures. Derating limits apply to modules soldered directly to a 100 mm × 100 mm double-sided PCB with 2 oz. copper. Applies to [Figure 9](#) and [Figure 10](#).



## APPLICATION INFORMATION

### CAPACITOR RECOMMENDATIONS FOR THE PTH08T210W POWER MODULE

#### Input Capacitor (Required)

The size and value of the input capacitor is determined by the converter's transient performance capability. The minimum amount of required input capacitance is 470  $\mu\text{F}$ , with an RMS ripple current rating of 500 mA. This minimum value assumes that the converter is supplied with a responsive, low inductance input source. This source should have ample capacitive decoupling, and be distributed to the converter via PCB power and ground planes.

For high-performance/transient applications, or wherever the input source performance is degraded, 1000  $\mu\text{F}$  of input capacitance is recommended. The additional input capacitance above the minimum level insures an optimized performance.

Ripple current (rms) rating, less than 100 m $\Omega$  of equivalent series resistance (ESR), and temperature are the main considerations when selecting input capacitors. The ripple current reflected from the input of the PTH08T210W module is moderate to low. Therefore any good quality, computer-grade electrolytic capacitor will have an adequate ripple current rating.

Regular tantalum capacitors are not recommended for the input bus. These capacitors require a recommended minimum voltage rating of  $2 \times$  (maximum dc voltage + ac ripple). This is standard practice to ensure reliability. No tantalum capacitors were found with a sufficient voltage rating to meet this requirement. When the operating temperature is below 0°C, the ESR of aluminum electrolytic capacitors increases. For these applications, Os-Con, poly-aluminum, and polymer-tantalum types should be considered. Adding one or two ceramic capacitors to the input attenuates high-frequency reflected ripple current.

#### TurboTrans Output Capacitor

The PTH08T210W requires a minimum output capacitance of 470  $\mu\text{F}$ . The required capacitance above 470 $\mu\text{F}$  will be determined by actual transient deviation requirements.

TurboTrans allows the designer to optimize the capacitance load according to the system transient design requirement. High quality, ultra-low ESR capacitors are required to maximize TurboTrans effectiveness. Capacitors with a capacitance ( $\mu\text{F}$ )  $\times$  ESR (m $\Omega$ ) product of  $\leq 10,000 \text{ m}\Omega \times \mu\text{F}$  are required.

Working Example:

A bank of 6 identical capacitors, each with a capacitance of 680  $\mu\text{F}$  and 5 m $\Omega$  ESR, has a  $C \times \text{ESR}$  product of 3400  $\mu\text{F} \times \text{m}\Omega$  (680  $\mu\text{F} \times 5 \text{ m}\Omega$ ).

Using TurboTrans in conjunction with the high quality capacitors (capacitance ( $\mu\text{F}$ )  $\times$  ESR (m $\Omega$ )) reduces the overall capacitance requirement while meeting the minimum transient amplitude level.

[Table 1](#) includes a preferred list of capacitors by type and vendor. See the Output Bus / TurboTrans column.

Note: See the TurboTrans Technology Application Notes within this document for selection of specific capacitance.

#### Non-TurboTrans Output Capacitor

The PTH08T210W requires a minimum output capacitance of 470  $\mu\text{F}$ . Non-TurboTrans applications must observe minimum output capacitance ESR limits.

A combination of 200  $\mu\text{F}$  of ceramic capacitors plus low ESR (15 m $\Omega$  to 30 m $\Omega$ ) Os-Con electrolytic/tantalum type capacitors can be used. When using Polymer tantalum types, tantalum type, or Oscon types only, the capacitor ESR bank limit is 3 m $\Omega$  to 5 m $\Omega$ . (Note: no ceramic capacitors are required). This is necessary for the stable operation of the regulator. Additional capacitance can be added to improve the module's performance to load transients. High quality computer-grade electrolytic capacitors are recommended. Aluminum electrolytic capacitors provide adequate decoupling over the frequency range, 2 kHz to 150 kHz, and are suitable when ambient temperatures are above -20°C. For operation below -20°C, tantalum, ceramic, or Os-Con type capacitors are necessary.

## APPLICATION INFORMATION (continued)

When using a combination of one or more non-ceramic capacitors, the calculated equivalent ESR should be no lower than 2 m $\Omega$  (4 m $\Omega$  when calculating using the manufacturer's maximum ESR values). A list of preferred low-ESR type capacitors, are identified in [Table 1](#).

### Ceramic Capacitors

Above 150 kHz the performance of aluminum electrolytic capacitors is less effective. Multilayer ceramic capacitors have very low ESR and a resonant frequency higher than the bandwidth of the regulator. They can be used to reduce the reflected ripple current at the input as well as improve the transient response of the output.

When used on the output their combined ESR is not critical as long as the total value of ceramic capacitors, with values between 10  $\mu$ F and 100  $\mu$ F, does not exceed 5000  $\mu$ F (non-TurboTrans). In TurboTrans applications, when ceramic capacitors are used on the output bus, total capacitance including bulk and ceramic types is not to exceed 12,000  $\mu$ F.

### Tantalum, Polymer-Tantalum Capacitors

Tantalum type capacitors are only used on the output bus, and are recommended for applications where the ambient operating temperature is less than 0°C. The AVX TPS series and Kemet capacitor series are suggested over many other tantalum types due to their higher rated surge, power dissipation, and ripple current capability. As a caution, many general-purpose tantalum capacitors have higher ESR, reduced power dissipation, and lower ripple current capability. These capacitors are also less reliable due to their reduced power dissipation and surge current ratings. Tantalum capacitors that have no stated ESR or surge current rating are not recommended for power applications.

### Capacitor Table

[Table 1](#) identifies the characteristics of capacitors from a number of vendors with acceptable ESR and ripple current (rms) ratings. The recommended number of capacitors required at both the input and output buses is identified for each capacitor type.

*This is not an extensive capacitor list. Capacitors from other vendors are available with comparable specifications. Those listed are for guidance. The RMS ripple current rating and ESR (at 100 kHz) are critical parameters necessary to ensure both optimum regulator performance and long capacitor life.*

### Designing for Fast Load Transients

The transient response of the dc/dc converter has been characterized using a load transient with a di/dt of 2.5 A/ $\mu$ s. The typical voltage deviation for this load transient is given in the Electrical Characteristics table using the minimum required value of output capacitance. As the di/dt of a transient is increased, the response of a converter's regulation circuit ultimately depends on its output capacitor decoupling network. This is an inherent limitation with any dc/dc converter once the speed of the transient exceeds its bandwidth capability.

If the target application specifies a higher di/dt or lower voltage deviation, the requirement can only be met with additional low ESR ceramic capacitor decoupling. Generally, with 50% load steps at > 100 A/ $\mu$ s, adding multiple 10  $\mu$ F ceramic capacitors, 3225 case size, plus 10  $\times$  1  $\mu$ F, including numerous high frequency ceramics ( $\leq$  0.1  $\mu$ F) are all that is required to soften the transient higher frequency edges. Special attention is essential with regards to location, types, and position of higher frequency ceramic and lower ESR bulk capacitors. DSP, FPGA and ASIC vendors identify types, location and capacitance required for optimum performance of the high frequency devices. The details regarding the PCB layout and capacitor/component placement are important at these high frequencies. Low impedance buses and unbroken PCB copper planes with components located as close to the high frequency processor are essential for optimizing transient performance. In many instances additional capacitors may be required to insure and minimize transient aberrations.

**APPLICATION INFORMATION (continued)**
**Table 1. Input/Output Capacitors<sup>(1)</sup>**

Capacitor Vendor, Type Series (Style)	Capacitor Characteristics					Quantity			Vendor Part No.
	Working Voltage	Value (µF)	Max. ESR at 100 kHz	Max Ripple Current at 85°C (Irms)	Physical Size (mm)	Input Bus	Output Bus		
							No TurboTrans	TurboTrans (Cap Type) <sup>(2)</sup>	
Panasonic	25 V	1000	0.043Ω	>1690 mA	16 × 15	1	≥ 2 <sup>(3)</sup>	N/R <sup>(4)</sup>	EEUFC1E102S
FC (Radial)	25 V	1800	0.029Ω	2205 mA	16 × 20	1	≥ 1 <sup>(3)</sup>	N/R <sup>(4)</sup>	EEUFC1E182
FC(SMD)	25 V	2200	0.028Ω	>2490 mA	18 × 21,5	1	≥ 1 <sup>(3)</sup>	N/R <sup>(4)</sup>	EEVFC1E222N
FK(SMD)	25 V	1000	0.060Ω	1100 mA	12,5×13,5	1	≥ 2 <sup>(5)</sup>	N/R <sup>(4)</sup>	EEVFK1V102Q
United Chemi-Con									
PTB(SMD) Polymer Tantalum	6.3 V	470	0.025Ω	2600 mA	7,3x 4,3x 2.8	N/R <sup>(6)</sup>	≥ 2 ~ ≤ 4 <sup>(3)</sup>	C ≥ 2 <sup>(2)</sup>	6PTB477MD8TER
LXZ, Aluminum (Radial)	25 V	680	0.068Ω	1050 mA	10 × 16	1	≥ 1 ~ ≤ 3 <sup>(3)</sup>	N/R <sup>(4)</sup>	LXZ25VB681M10X20LL
PS, Poly-Aluminum(Radial)	16 V	330	0.014Ω	5060 mA	10 × 12,5	2	≥ 2 ~ ≤ 3	B ≥ 2 <sup>(2)</sup>	16PS330MJ12
PXA, Poly-Aluminum (SMD)	16 V	330	0.014Ω	5050 mA	10 × 12,2	2	≥ 2 ~ ≤ 3	B ≥ 2 <sup>(2)</sup>	PXA16VC331MJ12TP
PS, Poly-Aluminum(Radial)	6.3 V	680	0.010Ω	5500 mA	10 × 12,5	N/R <sup>(6)</sup>	≥ 1 ~ ≤ 2	C ≥ 1 <sup>(2)</sup>	6PS680MJ12
PXA, Poly-Aluminum(Radial)	6.3 V	470	0.012Ω	4770 mA	8 × 12,2	N/R <sup>(6)</sup>	≥ 1 ~ ≤ 2	C ≥ 1 <sup>(2)</sup>	PXA6.3VC471MH12TP
Nichicon, Aluminum	25 V	470	0.070Ω	985 mA	12,5 × 15	1	≥ 2 <sup>(3)</sup>	N/R <sup>(4)</sup>	UPM1E471MHH6
HD (Radial)	25 V	470	0.038Ω	1430 mA	10 × 16	1	≥ 2 <sup>(3)</sup>	N/R <sup>(4)</sup>	UHD1E471MHR
PM (Radial)	35 V	560	0.048Ω	1360 mA	16 × 15	1	≥ 2 <sup>(3)</sup>	N/R <sup>(4)</sup>	UPM1V561MHH6
Panasonic, Poly-Aluminum:	2.0 V	390	0.005Ω	4000 mA	7,3 Lx4,3 W x4,2H	N/R <sup>(6)</sup>	N/R <sup>(6)</sup>	B ≥ 2 <sup>(2)</sup>	EEFSE0J391R(V <sub>O</sub> ≤1.6V) <sup>(7)</sup>

**(1) Capacitor Supplier Verification**

Please verify availability of capacitors identified in this table. Capacitor suppliers may recommend alternative part numbers because of limited availability or obsolete products. In some instances, the capacitor product life cycle may be in decline and have short-term consideration for obsolescence.

**RoHS, Lead-free and Material Details**

See the capacitor suppliers regarding material composition, RoHS status, lead-free status, and manufacturing process requirements. Component designators or part number deviations can occur when material composition or soldering requirements are updated.

**(2) Required capacitors with TurboTrans. See the TransTrans Application information for Capacitor Selection Capacitor Type Groups by ESR (Equivalent Series Resistance) :**

- Type A = (100 < capacitance × ESR ≤ 1000)
- Type B = (1,000 < capacitance × ESR ≤ 5,000)
- Type C = (5,001 < capacitance × ESR ≤ 10,000)

**(3) Total bulk nonceramic capacitors on the output bus with ESR of ≥ 15mΩ to ≤ 30mΩ requires an additional ≥ 200 µF of ceramic capacitor.**
**(4) Aluminum Electrolytic capacitor not recommended for the TurboTrans due to higher ESR × capacitance products. Aluminum and higher ESR capacitors can be used in conjunction with lower ESR capacitance.**
**(5) Output bulk capacitor's maximum ESR is ≥ 30 mΩ. Additional ceramic capacitance of ≥ 200 µF is required.**
**(6) N/R – Not recommended. The voltage rating does not meet the minimum operating limits.**
**(7) The voltage rating of this capacitor only allows it to be used for output voltage that is equal to or less than 80% of the working voltage.**

**APPLICATION INFORMATION (continued)**

**Table 1. Input/Output Capacitors (continued)**

Capacitor Vendor, Type Series (Style)	Capacitor Characteristics					Quantity			Vendor Part No.
	Working Voltage	Value (µF)	Max. ESR at 100 kHz	Max Ripple Current at 85°C (Irms)	Physical Size (mm)	Input Bus	Output Bus		
							No TurboTrans	TurboTrans (Cap Type) <sup>(2)</sup>	
Sanyo									
TPE, Poscap (SMD)	6.3 V	470	0.018Ω	3500 mA	7,3 × 4,3	N/R <sup>(8)</sup>	≥ 1 ~ ≤ 3	C ≥ 1 <sup>(9)</sup>	6TPE470MI
TPE Poscap(SMD)	2.5 V	470	0.007Ω	4400 mA	7,3 × 4,3	N/R <sup>(8)</sup>	≥ 1 ≤ 2	B ≥ 2 <sup>(9)</sup>	2R5TPE470M7(V <sub>O</sub> ≤ 1.8 V) <sup>(10)</sup>
TPD Poscap (SMD)	2.5 V	1000	0.005Ω	6100 mA	7,3 × 4,3	N/R <sup>(8)</sup>	≤ 1	B ≥ 1 <sup>(9)</sup>	2R5TPD1000M5(V <sub>O</sub> ≤ 1.8 V) <sup>(10)</sup>
SA, Os-Con (Radial)	16 V	470	0.020Ω	>6080 mA	16 × 23	1	≥ 1 ~ ≤ 4	N/R <sup>(11)</sup>	16SA470M
SP Oscon ( Radial)	10 V	470	0.015	>4500 mA	10 × 11,5	N/R <sup>(8)</sup>	≥ 1 ~ ≤ 3	C ≥ 2 <sup>(9)</sup>	10SP470M
SEPC, Os-Con (Radial)	16 V	470	0.010Ω	>4700 mA	10 × 13	1	≥ 1 ~ ≤ 2	B ≥ 1 <sup>(9)</sup>	16SEPC470M
SVPA, Os-Con (SMD)	6.3 V	470	0.020Ω	4700mA	10 × 10,3	N/R <sup>(8)</sup>	≥ 1 ~ ≤ 4 <sup>(12)</sup>	C ≥ 1 <sup>(9)</sup> <sup>(12)</sup>	6SVPA470M
AVX, Tantalum, Series III	6.3 V	680	0.035Ω	>2400 mA	7,3 L	N/R <sup>(8)</sup>	≥ 2 ~ ≤ 7 <sup>(12)</sup>	N/R <sup>(11)</sup>	TPSE477M010R0045
TPM Multianode	6.3 V	470	0.018Ω	>3800 mA	× 4,3 W × 4,1 H	N/R <sup>(8)</sup>	≥ 2 ~ ≤ 3 <sup>(12)</sup>	C ≥ 2 <sup>(9)</sup> <sup>(12)</sup>	TPME687M006#0018
TPS Series III (SMD)	4 V	1000	0.035Ω	2405	7,3 L × 5,7 W	N/R <sup>(8)</sup>	≥ 2 ~ ≤ 7 <sup>(12)</sup>	N/R <sup>(11)</sup>	TPSV108K004R0035 (V <sub>O</sub> ≤ 2.2 V) <sup>(10)</sup>
Kemet, Poly-Tantalum	6.3 V	470	0.018Ω	2700 mA	4,3 W	N/R <sup>(8)</sup>	≥ 1 ~ ≤ 3 <sup>(12)</sup>	C ≥ 2 <sup>(9)</sup>	T520X477M06ASE018
T520 (SMD)	6.3 V	470	0.010Ω	>5200 mA	× 7,3 L	N/R <sup>(8)</sup>	≥ 1 ~ ≤ 2	B ≥ 1 <sup>(9)</sup>	T530X477M006ASE010
T530 (SMD)	6.3 V	470	0.005Ω	7300 mA	× 4 H	N/R <sup>(8)</sup>	≤ 1	B ≥ 1 <sup>(9)</sup>	T530X477M006ASE005
T530 (SMD)	2.5 V	1000	0.005Ω	7300 mA	4,3 w × 7,3 L	N/R <sup>(8)</sup>	≤ 1	B ≥ 1 <sup>(9)</sup>	T530X108M2R5ASE005 (V <sub>O</sub> ≤ 2.0 V) <sup>(10)</sup>
Vishay-Sprague									
594D, Tantalum (SMD)	6.3 V	1000	0.030Ω	2890 mA	7,2L × 5,7 W × 4,1H	N/R <sup>(8)</sup>	≥ 1 ~ ≤ 6	N/R <sup>(11)</sup>	594D108X06R3R2TR2T
94SA, Os-con (Radial)	16 V	1000	0.015Ω	9740 mA	16 × 25	1	≥ 1 ~ ≤ 3	N/R <sup>(11)</sup>	94SA108X0016HBP
94SVP Os-Con(SMD)	16 V	330	0.017Ω	>4500 mA	10 × 12,7	2	≥ 2 ~ ≤ 3	C ≥ 1 <sup>(9)</sup>	94SVP827X06R3F12
Kemet, Ceramic X5R (SMD)	16 V	10	0.002Ω	–	3225	1	≥ 1 <sup>(13)</sup>	A <sup>(9)</sup>	C1210C106M4PAC
	6.3 V	47	0.002Ω			N/R <sup>(8)</sup>	≥ 1 <sup>(13)</sup>	A <sup>(9)</sup>	C1210C476K9PAC
Murata, Ceramic X5R (SMD)	6.3 V	100	0.002Ω	–	3225	N/R <sup>(8)</sup>	≥ 1 <sup>(13)</sup>	A <sup>(9)</sup>	GRM32ER60J107M
	6.3 V	47				N/R <sup>(8)</sup>	≥ 1 <sup>(13)</sup>	A <sup>(9)</sup>	GRM32ER60J476M
	25 V	22				1	≥ 1 <sup>(13)</sup>	A <sup>(9)</sup>	GRM32ER61E226K
	16 V	10				1	≥ 1 <sup>(13)</sup>	A <sup>(9)</sup>	GRM32DR61C106K
TDK, Ceramic X5R (SMD)	6.3 V	100	0.002Ω	–	3225	N/R <sup>(8)</sup>	≥ 1 <sup>(13)</sup>	A <sup>(9)</sup>	C3225X5R0J107MT
	6.3 V	47				N/R <sup>(8)</sup>	≥ 1 <sup>(13)</sup>	A <sup>(9)</sup>	C3225X5R0J476MT
	16 V	10				1	≥ 1 <sup>(13)</sup>	A <sup>(9)</sup>	C3225X5R1C106MT0
	16 V	22				1	≥ 1 <sup>(13)</sup>	A <sup>(9)</sup>	C3225X5R1C226MT

- (8) N/R – Not recommended. The voltage rating does not meet the minimum operating limits.
- (9) Required capacitors with TurboTrans. See the TransTrans Application information for Capacitor Selection Capacitor Type Groups by ESR (Equivalent Series Resistance) :
  - Type A = (100 < capacitance × ESR ≤ 1000)
  - Type B = (1,000 < capacitance × ESR ≤ 5,000)
  - Type C = (5,001 < capacitance × ESR ≤ 10,000)
- (10) The voltage rating of this capacitor only allows it to be used for output voltage that is equal to or less than 80% of the working voltage.
- (11) Aluminum Electrolytic capacitor not recommended for the TurboTrans due to higher ESR × capacitance products. Aluminum and higher ESR capacitors can be used in conjunction with lower ESR capacitance.
- (12) Total bulk nonceramic capacitors on the output bus with ESR of ≥ 15mΩ to ≤ 30mΩ requires an additional ≥ 200 µF of ceramic capacitor.
- (13) Maximum ceramic capacitance on the output bus is ≤ 3000 µF. Any combination of the ceramic capacitor values is limited to 3000 µF for non-TurboTrans applications. The total capacitance is limited to 14,000 µF which includes all ceramic and non-ceramic types.

## TurboTrans™ Technology

TurboTrans technology is a feature introduced in the T2 generation of the PTH/PTV family of power modules. TurboTrans optimizes the transient response of the regulator with added external capacitance using a single external resistor. The benefits of this technology include: reduced output capacitance, minimized output voltage deviation following a load transient, and enhanced stability when using ultra-low ESR output capacitors. The amount of output capacitance required to meet a target output voltage deviation, is reduced with TurboTrans activated. Likewise, for a given amount of output capacitance, with TurboTrans engaged, the amplitude of the voltage deviation following a load transient will be reduced. Applications requiring tight transient voltage tolerances and minimized capacitor footprint area benefit from this technology.

## TurboTrans™ Selection

Utilizing TurboTrans requires connecting a resistor,  $R_{TT}$ , between the +Sense pin (pin 10) and the TurboTrans pin (pin 13). The value of the resistor directly corresponds to the amount of output capacitance required. All T2 products require a minimum value of output capacitance whether or not TurboTrans is used. For the PTH08T210W, the minimum required capacitance is 470  $\mu\text{F}$ . When using TurboTrans, capacitors with a capacitance  $\times$  ESR product below 10,000  $\mu\text{F} \times \text{m}\Omega$  are required. (Multiply the capacitance (in  $\mu\text{F}$ ) by the ESR (in  $\text{m}\Omega$ ) to determine the capacitance  $\times$  ESR product.) See the Capacitor Selection section of the datasheet for a variety of capacitors that meet this criteria.

Figure 11 through Figure 16, show the amount of output capacitance required to meet a desired transient voltage deviation with and without TurboTrans for several capacitor types; Type A (e.g. ceramic), Type B (e.g. polymer-tantalum), and Type C (e.g. OS-CON). To calculate the proper value of  $R_{TT}$ , first determine the required transient voltage deviation limits and magnitude of the transient load step. Next, determine what type of output capacitors to be used. (If more than one type of output capacitor is used, select the capacitor type that makes up the majority of the total output capacitance.) Knowing this information, use the chart in Figure 11 through Figure 16 that corresponds to the capacitor type selected. To use the chart, begin by dividing the maximum voltage deviation limit (in mV) by the magnitude of the load step (in Amps). This gives a mV/A value. Find this value on the Y-axis of the appropriate chart. Read across the graph to the 'With TurboTrans' plot. From this point, read down to the X-axis which lists the minimum required capacitance,  $C_O$ , to meet the transient voltage deviation. The required  $R_{TT}$  resistor value can then be calculated using Equation 1 or selected from the TurboTrans table. The TurboTrans tables include both the required output capacitance and the corresponding  $R_{TT}$  values to meet several values of transient voltage deviation for 25% (7.5 A), 50% (15 A), and 75% (22.5 A) output load steps.

The chart can also be used to determine the achievable transient voltage deviation for a given amount of output capacitance. Selecting the amount of output capacitance along the X-axis, reading up to the 'With TurboTrans' curve, and then over to the Y-axis, gives the transient voltage deviation limit for that value of output capacitance. The required  $R_{TT}$  resistor value can be calculated using Equation 1 or selected from the TurboTrans table.

As an example, let's look at a 12-V application requiring a 75 mV deviation during a 15 A, 50% load transient. A majority of 330  $\mu\text{F}$ , 10  $\text{m}\Omega$  output capacitors will be used. Use the 12 V, Type B capacitor chart, Figure 13. Dividing 75 mV by 15 A gives 5 mV/A transient voltage deviation per amp of transient load step. Select 5 mV/A on the Y-axis and read across to the 'With TurboTrans' plot. Following this point down to the X-axis gives us a minimum required output capacitance of approximately 1300  $\mu\text{F}$ . The required  $R_{TT}$  resistor value for 1300  $\mu\text{F}$  can then be calculated or selected from Figure 13. The required  $R_{TT}$  resistor is approximately 10.2  $\text{k}\Omega$ .

To see the benefit of TurboTrans, follow the 5 mV/A marking across to the 'Without TurboTrans' plot. Following that point down shows that a minimum of 8200  $\mu\text{F}$  of output capacitance is required to meet the same transient deviation limit. This is the benefit of TurboTrans. A typical TurboTrans application schematic is shown in Figure 17.

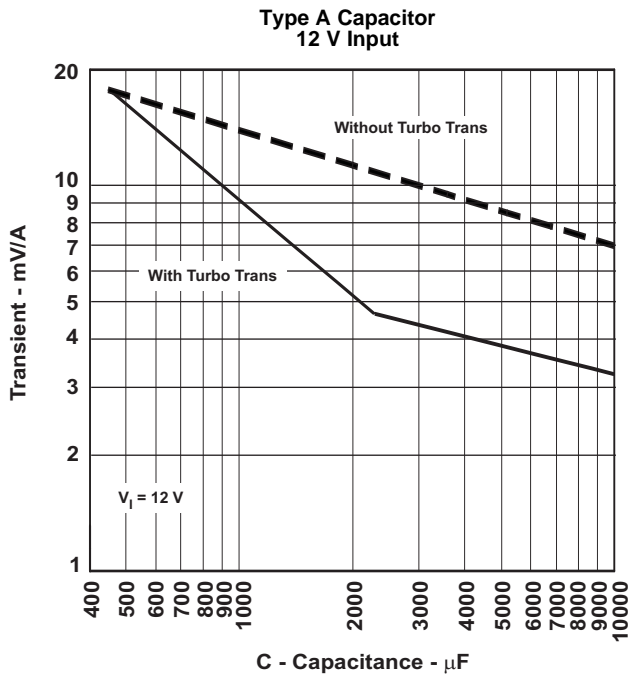


Figure 11. Cap Type A,  $100 \leq C(\mu\text{F}) \times \text{ESR}(\text{m}\Omega) \leq 1000$  (e.g. Ceramic)

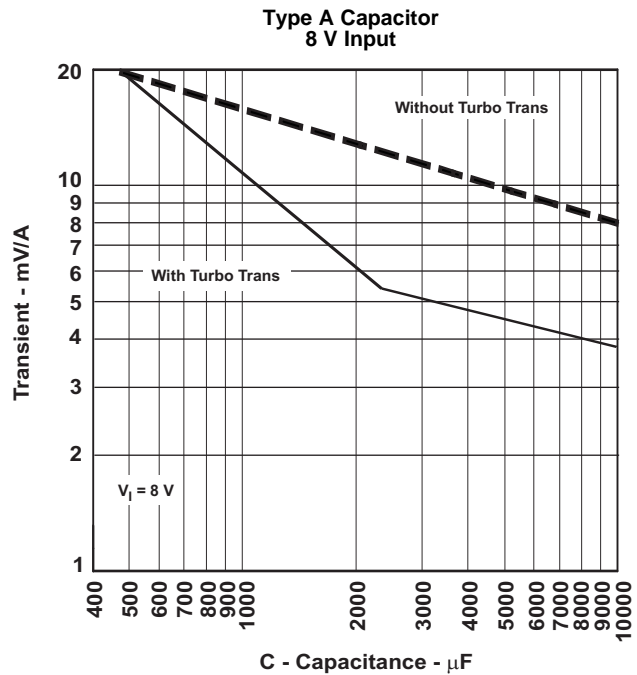


Figure 12. Cap Type A,  $100 \leq C(\mu\text{F}) \times \text{ESR}(\text{m}\Omega) \leq 1000$  (e.g. Ceramic)

Table 2. Type A TurboTrans  $C_O$  Values & Required  $R_{TT}$  Selection Table

Transient Voltage Deviation (mV)			12 V Input		8 V Input	
25% Load Step (7.5 A)	50% Load Step (15 A)	75% Load Step (22.5 A)	$C_O$ Minimum Required Output Capacitance ( $\mu\text{F}$ )	$R_{TT}$ Required TurboTrans Resistor ( $\Omega$ )	$C_O$ Minimum Required Output Capacitance ( $\mu\text{F}$ )	$R_{TT}$ Required TurboTrans Resistor ( $\Omega$ )
130	260	390	470	open	580	127 k
120	240	360	520	294 k	640	80.6 k
110	220	330	580	127 k	710	54.9 k
100	200	300	650	76.8 k	800	37.4 k
90	180	270	740	47.5 k	900	26.7 k
80	160	240	850	31.6 k	1050	17.8 k
70	140	210	1000	20.5 k	1250	11.3 k
60	120	180	1200	12.7 k	1500	6.65 k
50	100	150	1500	6.65 k	1900	2.55 k
40	80	120	2000	1.82 k	2600	0
30	60	90	4000	0	7800	0

**$R_{TT}$  Resistor Selection**

The TurboTrans resistor value,  $R_{TT}$  can be determined from the TurboTrans programming equation, see Equation 1.

$$R_{TT} = 40 \times \frac{1 - (C_O / 2350)}{5 \times (C_O / 2350) - 1} \text{ k}\Omega \tag{1}$$

Where  $C_O$  is the total output capacitance in  $\mu\text{F}$ .  $C_O$  values greater than or equal to 2350  $\mu\text{F}$  require  $R_{TT}$  to be a short,  $0\Omega$ . (Equation 1 will result in a negative value for  $R_{TT}$  when  $C_O \geq 2350 \mu\text{F}$ .)

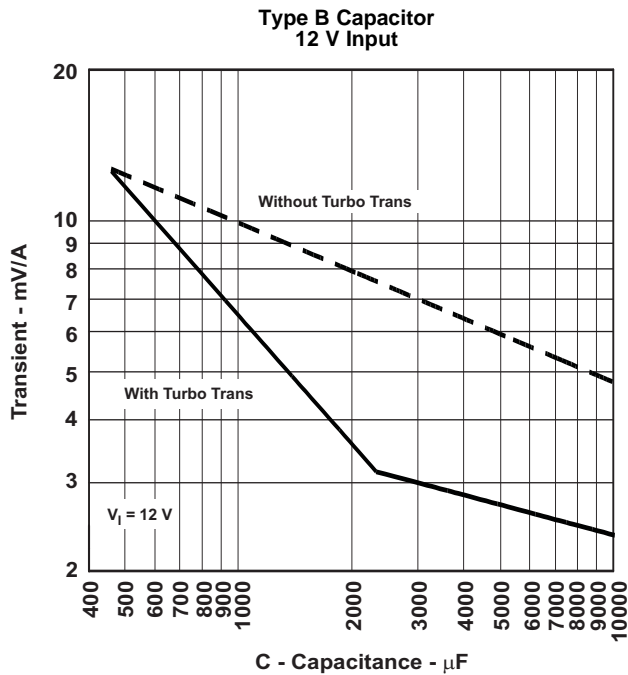


Figure 13. Cap Type B,  $1000 \leq C(\mu\text{F}) \times \text{ESR}(\text{m}\Omega) \leq 5000$   
(e.g. Polymer-Tantalum)

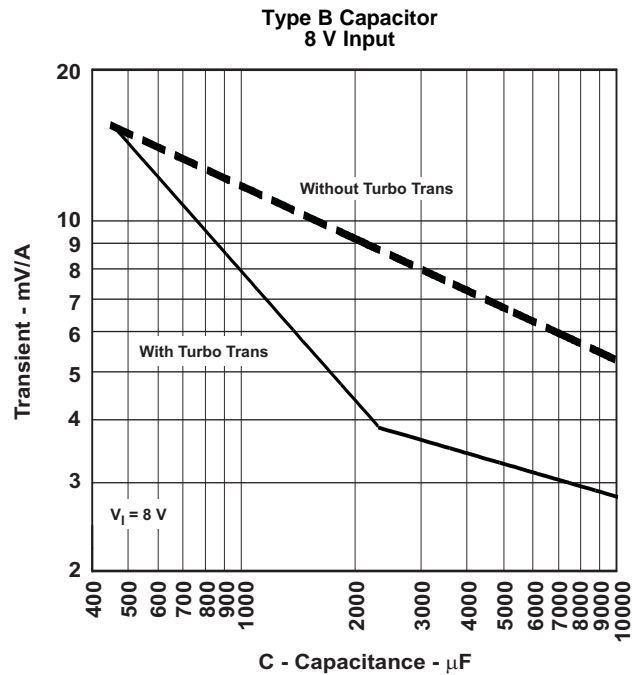


Figure 14. Cap Type B,  $1000 \leq C(\mu\text{F}) \times \text{ESR}(\text{m}\Omega) \leq 5000$   
(e.g. Polymer-Tantalum)

Table 3. Type B TurboTrans  $C_O$  Values & Required  $R_{TT}$  Selection Table

Transient Voltage Deviation (mV)			12 V Input		8 V Input	
25% Load Step (7.5 A)	50% Load Step (15 A)	75% Load Step (22.5 A)	$C_O$ Minimum Required Output Capacitance ( $\mu\text{F}$ )	$R_{TT}$ Required TurboTrans Resistor ( $\Omega$ )	$C_O$ Minimum Required Output Capacitance ( $\mu\text{F}$ )	$R_{TT}$ Required TurboTrans Resistor ( $\Omega$ )
100	200	300	470	open	540	205 k
90	180	270	500	499 k	620	93.1 k
80	160	240	580	127 k	720	52.3 k
70	140	210	680	63.4 k	840	32.4 k
60	120	180	800	37.4 k	1000	20.5 k
50	100	150	1000	20.5 k	1300	10.2 k
40	80	120	1300	10.2 k	1700	4.22 k
30	60	90	1800	3.32 k	2300	221
25	50	75	2200	698	4900	0
20	40	60	5400	0	14000	0

### $R_{TT}$ Resistor Selection

The TurboTrans resistor value,  $R_{TT}$  can be determined from the TurboTrans programming equation, see [Equation 1](#).

$C_O$  values greater than or equal to 2350  $\mu\text{F}$  require  $R_{TT}$  to be a short, 0 $\Omega$ . ([Equation 1](#) will result in a negative value for  $R_{TT}$  when  $C_O \geq 2350 \mu\text{F}$ .)

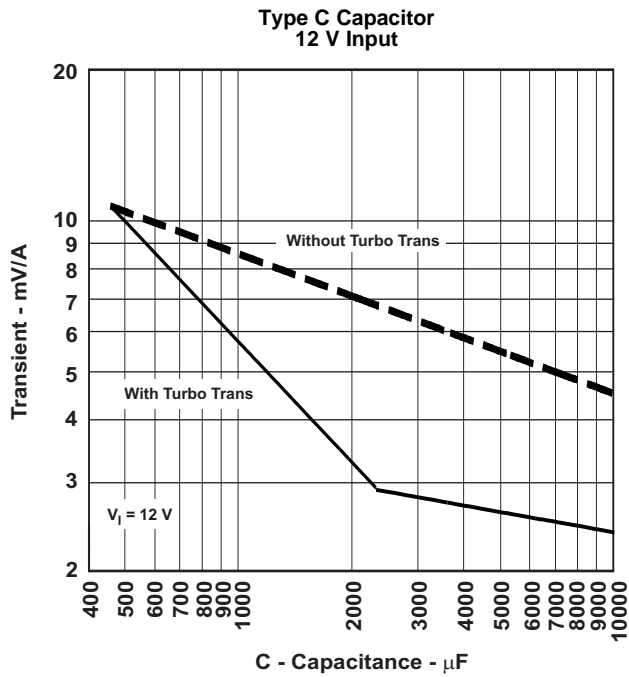


Figure 15. Cap Type C,  $5000 \leq C(\mu\text{F}) \times \text{ESR}(\text{m}\Omega) \leq 10,000$  (e.g. Os-Con)

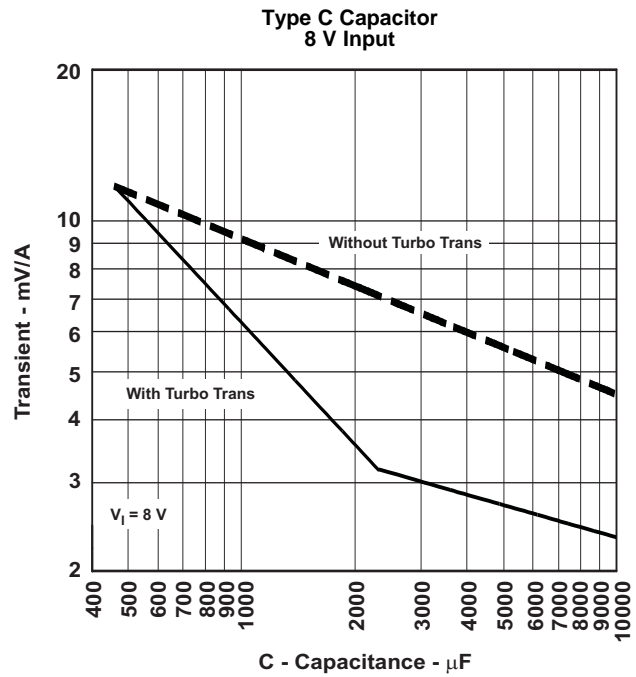


Figure 16. Cap Type C,  $5000 \leq C(\mu\text{F}) \times \text{ESR}(\text{m}\Omega) \leq 10,000$  (e.g. Os-Con)

Table 4. Type C TurboTrans  $C_O$  Values & Required  $R_{TT}$  Selection Table

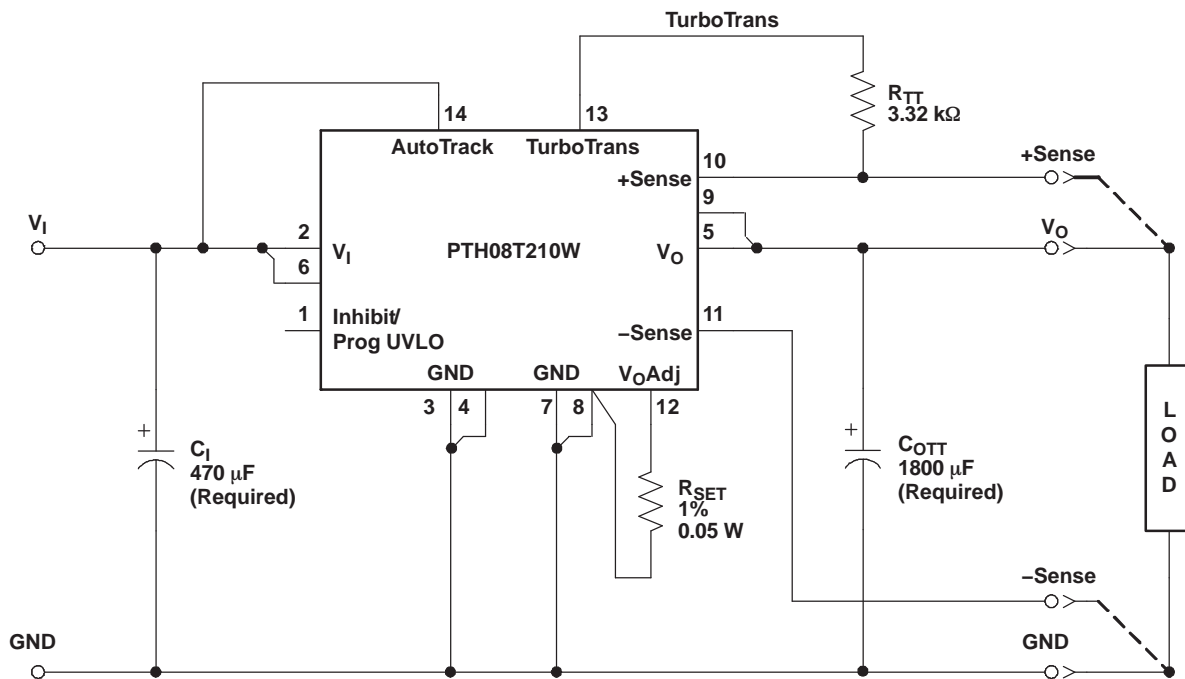
Transient Voltage Deviation (mV)			12 V Input		8 V Input	
25% Load Step (7.5 A)	50% Load Step (15 A)	75% Load Step (22.5 A)	$C_O$ Minimum Required Output Capacitance ( $\mu\text{F}$ )	$R_{TT}$ Required TurboTrans Resistor ( $\Omega$ )	$C_O$ Minimum Required Output Capacitance ( $\mu\text{F}$ )	$R_{TT}$ Required TurboTrans Resistor ( $\Omega$ )
80	160	240	470	open	520	294 k
70	140	210	560	158 k	620	93.1 k
60	120	180	680	63.4 k	750	45.3 k
50	100	150	850	31.6 k	940	24.3 k
40	80	120	1100	15.8 k	1300	10.2 k
35	70	105	1300	10.2 k	1500	6.65 k
30	60	90	1600	5.36 k	1800	3.32 k
25	50	75	2000	1.82 k	2200	698
20	40	60	4000	0	5400	0

### $R_{TT}$ Resistor Selection

The TurboTrans resistor value,  $R_{TT}$  can be determined from the TurboTrans programming equation, see [Equation 1](#).

$C_O$  values greater than or equal to 2350  $\mu\text{F}$  require  $R_{TT}$  to be a short,  $0\Omega$ . ([Equation 1](#) will result in a negative value for  $R_{TT}$  when  $C_O \geq 2350 \mu\text{F}$ .)





**Figure 17. Typical TurboTrans Application Schematic**

### ADJUSTING THE OUTPUT VOLTAGE

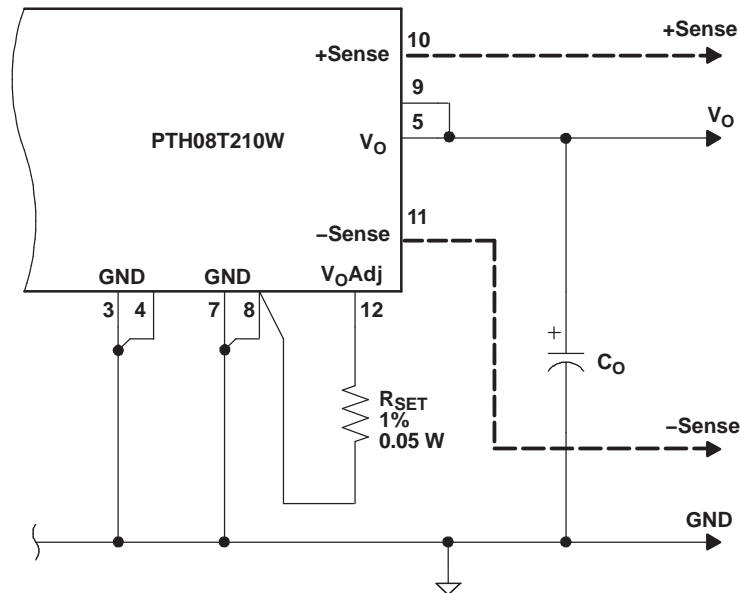
The  $V_O$  Adjust control (pin 12) sets the output voltage of the PTH08T210W. The adjustment range of the PTH08T210W is 0.7 V to 3.6 V. The adjustment method requires the addition of a single external resistor,  $R_{SET}$ , that must be connected directly between the  $V_O$  Adjust and GND pins. Table 5 gives the preferred value of the external resistor for a number of standard voltages, along with the actual output voltage that this resistance value provides.

For other output voltages, the value of the required resistor can either be calculated using the following formula, or simply selected from the range of values given in Table 6. Figure 18 shows the placement of the required resistor.

$$R_{SET} = 30.1 \text{ k}\Omega \times \frac{0.7}{V_O - 0.7} - 6.49 \text{ k}\Omega \tag{2}$$

**Table 5. Preferred Values of  $R_{SET}$  for Standard Output Voltages**

$V_O$ (Standard) (V)	$R_{SET}$ (Preferred Value) ( $\Omega$ )	$V_O$ (Actual) (V)
3.3	1.62 k	3.298
2.5	5.23 k	2.498
2	9.76 k	1.997
1.8	12.7 k	1.798
1.5	19.6 k	1.508
1.2	35.7 k	1.199
1	63.4 k	1.001
0.7	Open	0.700



- Use a 0.05 W resistor. The tolerance should be 1%, with temperature stability of 100 ppm/°C (or better). Place the resistor as close to the regulator as possible. Connect the resistor directly between pins 12 and 8 using dedicated PCB traces.
- Never connect capacitors from  $V_O$  Adjust to either GND or  $V_O$ . Any capacitance added to the  $V_O$  Adjust pin affects the stability of the regulator.

**Figure 18.  $V_O$  Adjust Resistor Placement**

**Table 6. Output Voltage Set-Point Resistor Values**

$V_a$ Required (V)	$R_{SET}$ (k $\Omega$ )	$V_a$ Required (V)	$R_{SET}$ (k $\Omega$ )
0.70	Open	2.10	8.66
0.75	412	2.20	7.50
0.80	205	2.30	6.65
0.85	133	2.40	5.90
0.90	97.6	2.50	5.23
0.95	78.7	2.60	4.64
1.00	63.4	2.70	4.02
1.10	46.4	2.80	3.57
1.20	35.7	2.90	3.09
1.30	28.7	3.00	2.67
1.40	23.7	3.10	2.26
1.50	19.6	3.20	1.96
1.60	16.9	3.30	1.62
1.70	14.7	3.40	1.30
1.80	12.7	3.50	1.02
1.90	11.0	3.60	0.768
2.00	9.76		

## UNDervoltage LOCKOUT (UVLO)

The PTH08T210W power modules incorporate an input undervoltage lockout (UVLO). The UVLO feature prevents the operation of the module until there is sufficient input voltage to produce a valid output voltage. This enables the module to provide a clean, monotonic powerup for the load circuit, and also limits the magnitude of current drawn from the regulator’s input source during the power-up sequence.

The UVLO characteristic is defined by the *ON* threshold ( $V_{THD}$ ) voltage. Below the *ON* threshold, the Inhibit control is overridden, and the module does not produce an output. The hysteresis voltage, which is the difference between the *ON* and *OFF* threshold voltages, is nominally set at 900 mV. The hysteresis prevents start-up oscillations, which can occur if the input voltage droops slightly when the module begins drawing current from the input source.

### UVLO Adjustment

The UVLO feature of the PTH08T210W module allows for limited adjustment of the *ON* threshold voltage. The adjustment is made via the *Inhibit/UVLO Prog* control pin (pin 1). When pin 1 is left open circuit, the *ON* threshold voltage is internally set to its default value. The *ON* threshold has a nominal voltage of 5.0 V, and the hysteresis 900 mV. This ensures that the module produces a regulated output when the minimum input voltage is applied. The *ON* threshold might need to be increased if the module is powered from a tightly regulated 12-V bus. This allows the *ON* threshold voltage to be set for a specified input voltage. Adjusting the threshold voltage prevents the module from operating if the input bus fails to completely rise to its specified regulation voltage.

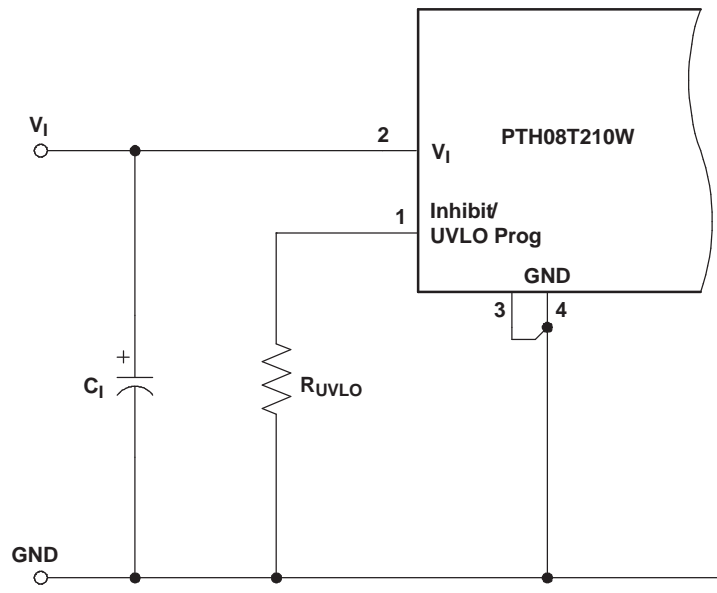
Equation 3 determines the value of  $R_{THD}$  required to adjust  $V_{THD}$  to a new value. The default value is 5 V, and it may only be adjusted to a higher value.

$$R_{UVLO} = \frac{2590 - (24.9 \times (V_1 - 1))}{24.9 \times (V_1 - 1) - 100} \text{ k}\Omega \tag{3}$$

Table 7 lists the standard resistor values for  $R_{UVLO}$  for different options of the on-threshold ( $V_{THD}$ ) voltage.

**Table 7. Calculated Values of  $R_{UVLO}$  for Various Values of  $V_{THD}$**

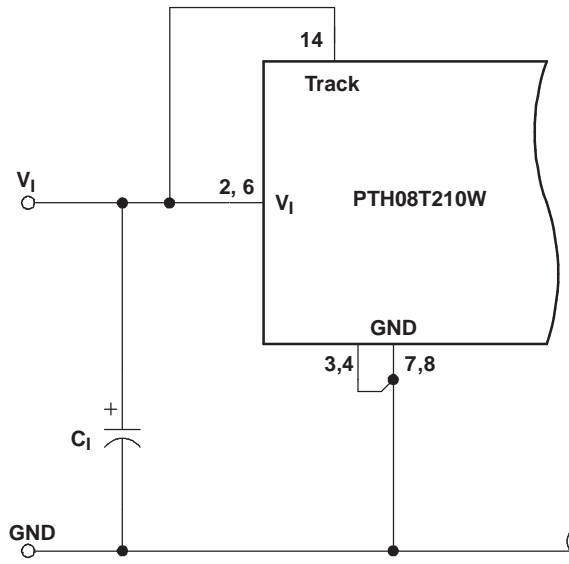
$V_{THD}$	6.5 V	7.0 V	7.5 V	8.0 V	8.5 V	9.0 V	9.5 V	10.0 V	10.5 V
$R_{UVLO}$	66.5 k $\Omega$	49.9 k $\Omega$	39.2 k $\Omega$	32.4 k $\Omega$	27.4 k $\Omega$	24.3 k $\Omega$	21.5 k $\Omega$	19.1 k $\Omega$	17.4 k $\Omega$



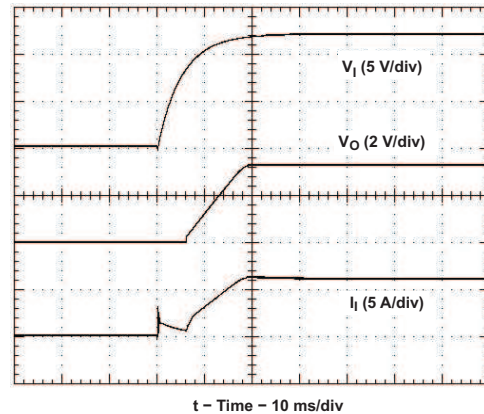
**Figure 19. UVLO Program Resistor Placement**

## Soft-Start Power Up

The Auto-Track feature allows the power-up of multiple PTH/PTV modules to be directly controlled from the Track pin. However in a stand-alone configuration, or when the Auto-Track feature is not being used, the Track pin should be directly connected to the input voltage,  $V_I$ . (see [Figure 20](#))



**Figure 20. Power-Up Application Circuit**



**Figure 21. Power-Up Waveform**

When the Track pin is connected to the input voltage the Auto-Track function is permanently disengaged. This allows the module to power up entirely under the control of its internal soft-start circuitry. When power up is under soft-start control, the output voltage rises to the set-point at a quicker and more linear rate. From the moment a valid input voltage is applied, the soft-start control introduces a short time delay (typically 8 ms–15 ms) before allowing the output voltage to rise. The output then progressively rises to the module's setpoint voltage.

[Figure 21](#) shows the soft-start power-up characteristic of the PTH08T210W operating from a 12-V input bus and configured for a 3.3-V output. The waveforms were measured with a 20-A constant current load and the Auto-Track feature disabled. The initial rise in input current when the input voltage first starts to rise is the charge current drawn by the input capacitors. Power-up is complete within 25 ms.

## Remote Sense

Products with this feature incorporate one or two remote sense pins. Remote sensing improves the load regulation performance of the module by allowing it to compensate for any IR voltage drop between its output and the load. An IR drop is caused by the high output current flowing through the small amount of pin and trace resistance.

To use this feature simply connect the Sense pins to the corresponding output voltage node, close to the load circuit. If a sense pin is left open-circuit, an internal low-value resistor (15- $\Omega$  or less) connected between the pin and the output node, ensures the output remains in regulation.

With the sense pin connected, the difference between the voltage measured directly between the  $V_O$  and GND pins, and that measured at the Sense pins, is the amount of IR drop being compensated by the regulator. This should be limited to a maximum of 0.3 V.

*The remote sense feature is not designed to compensate for the forward drop of nonlinear or frequency dependent components that may be placed in series with the converter output. Examples include OR-ing diodes, filter inductors, ferrite beads, and fuses. When these components are enclosed by the remote sense connection they are effectively placed inside the regulation control loop, which can adversely affect the stability of the regulator.*

### Output On/Off Inhibit

For applications requiring output voltage on/off control, the PTH08T210W incorporates an output Inhibit control pin. The inhibit feature can be used wherever there is a requirement for the output voltage from the regulator to be turned off.

The power modules function normally when the Inhibit pin is left open-circuit, providing a regulated output whenever a valid source voltage is connected to  $V_I$  with respect to GND.

Figure 22 shows the typical application of the inhibit function. Note the discrete transistor (Q1). The Inhibit input has its own internal pull-up to a potential of 5 V. The input is not compatible with TTL logic devices and should not be tied to  $V_I$ . An open-collector (or open-drain) discrete transistor is recommended for control.

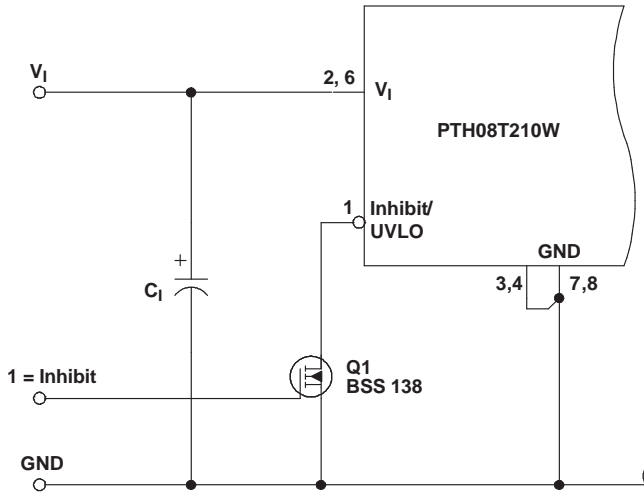


Figure 22. On/Off Inhibit Control Circuit

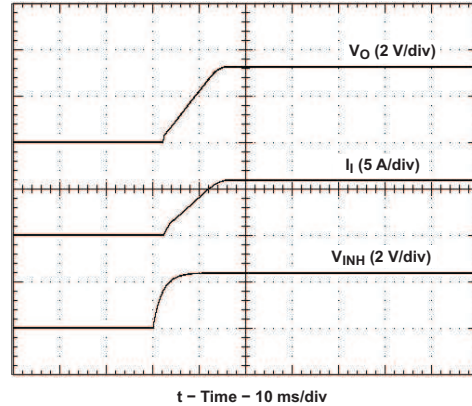


Figure 23. Power-Up Response from Inhibit Control

Turning Q1 on applies a low voltage to the Inhibit control pin and disables the output of the module. If Q1 is then turned off, the module executes a soft-start power-up sequence. A regulated output voltage is produced within 25 ms. Figure 23 shows the typical rise in both the output voltage and input current, following the turn-off of Q1. The turn off of Q1 corresponds to the rise in the waveform, Q1  $V_{DS}$ . The waveforms were measured with a 20-A constant current load.

### Overcurrent Protection

For protection against load faults, all modules incorporate output overcurrent protection. Applying a load that exceeds the regulator's overcurrent threshold causes the regulated output to shut down. Following shutdown, a module periodically attempts to recover by initiating a soft-start power-up. This is described as a *hiccup* mode of operation, whereby the module continues in a cycle of successive shutdown and power up until the load fault is removed. During this period, the average current flowing into the fault is significantly reduced. Once the fault is removed, the module automatically recovers and returns to normal operation.

## Overtemperature Protection (OTP)

A thermal shutdown mechanism protects the module's internal circuitry against excessively high temperatures. A rise in the internal temperature may be the result of a drop in airflow, or a high ambient temperature. If the internal temperature exceeds the OTP threshold, the module's Inhibit control is internally pulled low. This turns the output off. The output voltage drops as the external output capacitors are discharged by the load circuit. The recovery is automatic, and begins with a soft-start power up. It occurs when the sensed temperature decreases by about 10°C below the trip point.

*The overtemperature protection is a last resort mechanism to prevent thermal stress to the regulator. Operation at or close to the thermal shutdown temperature is not recommended and reduces the long-term reliability of the module. Always operate the regulator within the specified safe operating area (SOA) limits for the worst-case conditions of ambient temperature and airflow.*

## Auto-Track™ Function

The Auto-Track function is unique to the PTH/PTV family, and is available with all POLA products. Auto-Track was designed to simplify the amount of circuitry required to make the output voltage from each module power up and power down in sequence. The sequencing of two or more supply voltages during power up is a common requirement for complex mixed-signal applications that use dual-voltage VLSI ICs such as the TMS320™ DSP family, microprocessors, and ASICs.

### How Auto-Track™ Works

Auto-Track works by forcing the module output voltage to follow a voltage presented at the *Track* control pin <sup>(1)</sup>. This control range is limited to between 0 V and the module set-point voltage. Once the track-pin voltage is raised above the set-point voltage, the module output remains at its set-point <sup>(2)</sup>. As an example, if the *Track* pin of a 2.5-V regulator is at 1 V, the regulated output is 1 V. If the voltage at the *Track* pin rises to 3 V, the regulated output does not go higher than 2.5 V.

When under Auto-Track control, the regulated output from the module follows the voltage at its *Track* pin on a volt-for-volt basis. By connecting the *Track* pin of a number of these modules together, the output voltages follow a common signal during power up and power down. The control signal can be an externally generated master ramp waveform, or the output voltage from another power supply circuit <sup>(3)</sup>. For convenience, the *Track* input incorporates an internal RC-charge circuit. This operates off the module input voltage to produce a suitable rising waveform at power up.

### Typical Application

The basic implementation of Auto-Track allows for simultaneous voltage sequencing of a number of Auto-Track compliant modules. Connecting the *Track* inputs of two or more modules forces their track input to follow the same collective RC-ramp waveform, and allows their power-up sequence to be coordinated from a common Track control signal. This can be an open-collector (or open-drain) device, such as a power-up reset voltage supervisor IC. See U3 in [Figure 24](#).

To coordinate a power-up sequence, the Track control must first be pulled to ground potential. This should be done at or before input power is applied to the modules. The ground signal should be maintained for at least 20 ms after input power has been applied. This brief period gives the modules time to complete their internal soft-start initialization <sup>(4)</sup>, enabling them to produce an output voltage. A low-cost supply voltage supervisor IC, that includes a built-in time delay, is an ideal component for automatically controlling the Track inputs at power up.

[Figure 24](#) shows how the TL7712A supply voltage supervisor IC (U3) can be used to coordinate the sequenced power up of PTH08T210W modules. The output of the TL7712A supervisor becomes active above an input voltage of 3.6 V, enabling it to assert a ground signal to the common track control well before the input voltage has reached the module's undervoltage lockout threshold. The ground signal is maintained until approximately 28 ms after the input voltage has risen above U3's voltage threshold, which is 10.95 V. The 28-ms time period is controlled by the capacitor C3. The value of 2.2 μF provides sufficient time delay for the modules to complete their internal soft-start initialization. The output voltage of each module remains at zero until the track control voltage is allowed to rise. When U3 removes the ground signal, the track control voltage automatically rises. This causes the output voltage of each module to rise simultaneously with the other modules, until each reaches its respective set-point voltage.

Figure 25 shows the output voltage waveforms after input voltage is applied to the circuit. The waveforms,  $V_{O1}$  and  $V_{O2}$ , represent the output voltages from the two power modules, U1 (3.3 V) and U2 (1.8 V), respectively.  $V_{TRK}$ ,  $V_{O1}$ , and  $V_{O2}$  are shown rising together to produce the desired simultaneous power-up characteristic.

The same circuit also provides a power-down sequence. When the input voltage falls below U3's voltage threshold, the ground signal is re-applied to the common track control. This pulls the track inputs to zero volts, forcing the output of each module to follow, as shown in Figure 26. Power down is normally complete before the input voltage has fallen below the modules' undervoltage lockout. This is an important constraint. Once the modules recognize that an input voltage is no longer present, their outputs can no longer follow the voltage applied at their track input. During a power-down sequence, the fall in the output voltage from the modules is limited by the Auto-Track slew rate capability.

**Notes on Use of Auto-Track™**

1. The *Track* pin voltage must be allowed to rise above the module set-point voltage before the module regulates at its adjusted set-point voltage.
2. The Auto-Track function tracks almost any voltage ramp during power up, and is compatible with ramp speeds of up to 1 V/ms.
3. The absolute maximum voltage that may be applied to the *Track* pin is the input voltage  $V_i$ .
4. The module cannot follow a voltage at its track control input until it has completed its soft-start initialization. This takes about 20 ms from the time that a valid voltage has been applied to its input. During this period, it is recommended that the *Track* pin be held at ground potential.
5. The Auto-Track function is disabled by connecting the *Track* pin to the input voltage ( $V_i$ ). When Auto-Track is disabled, the output voltage rises at a quicker and more linear rate after input power has been applied.

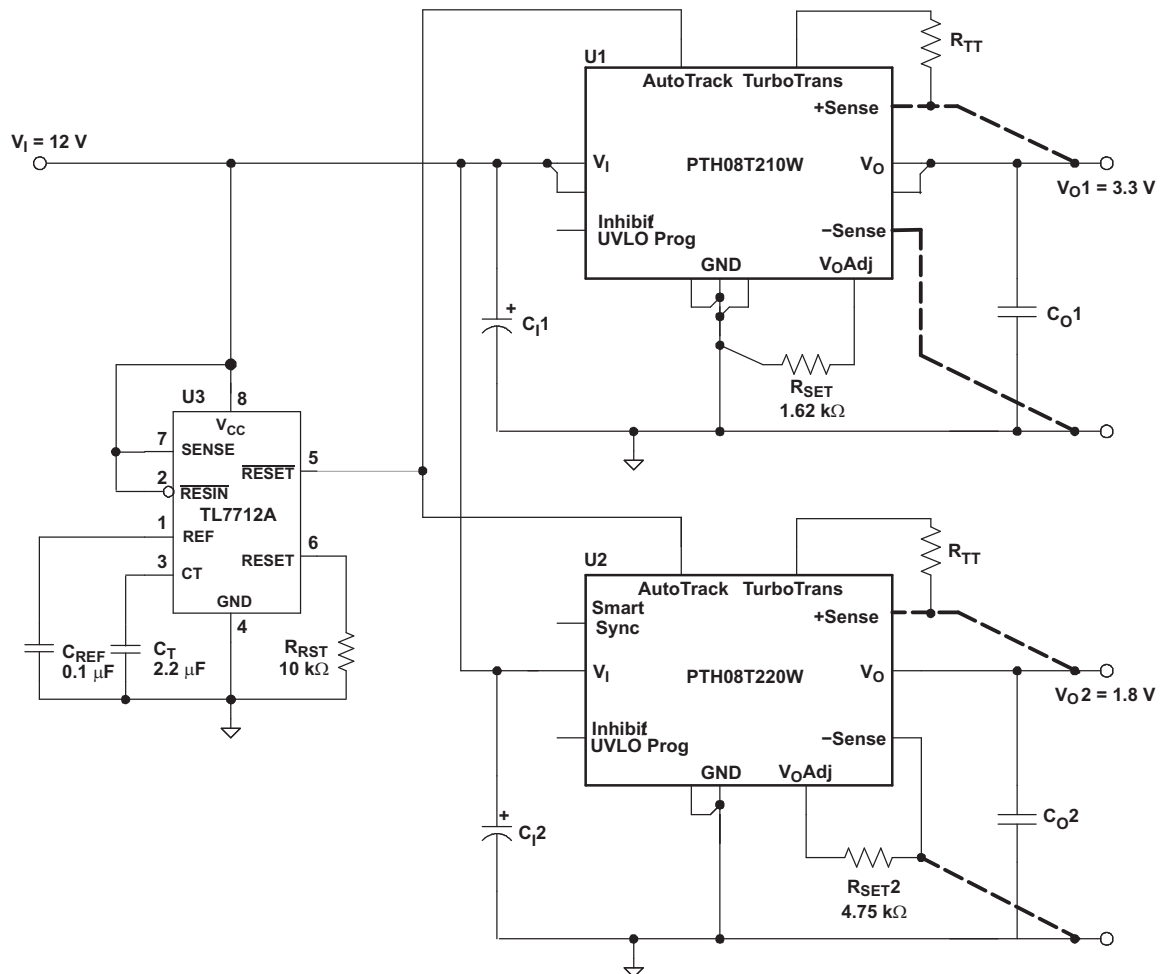


Figure 24. Sequenced Power Up and Power Down Using Auto-Track



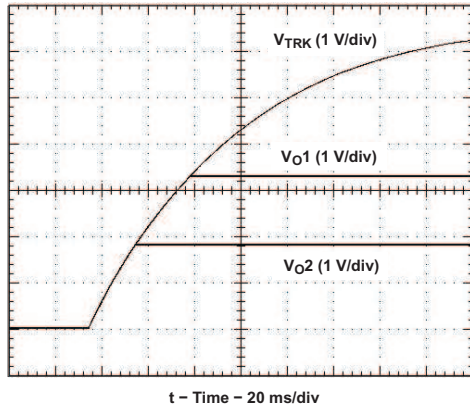


Figure 25. Simultaneous Power Up With Auto-Track Control

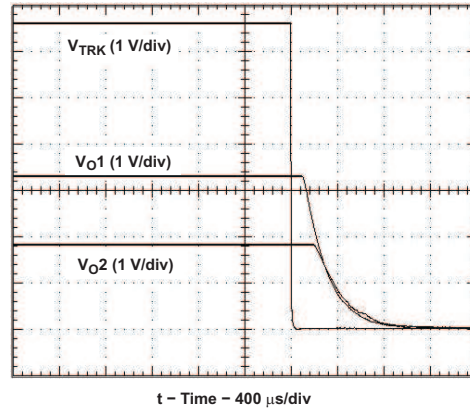
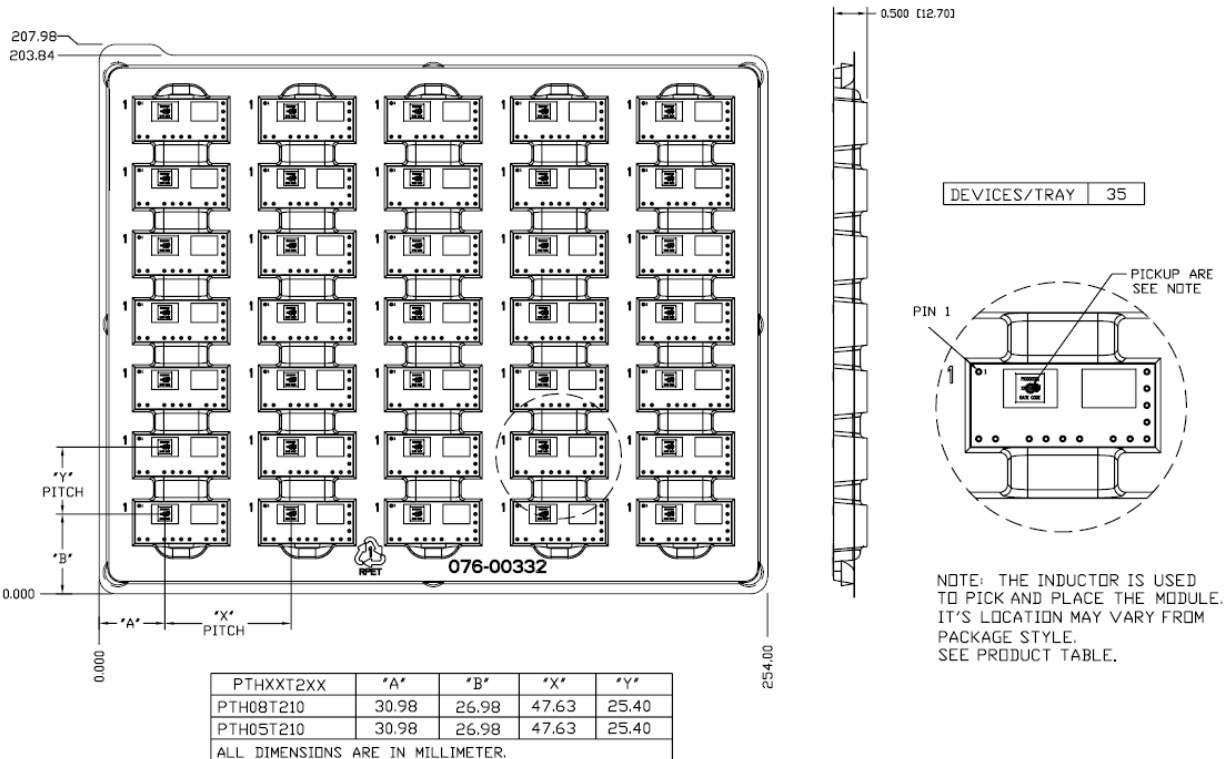
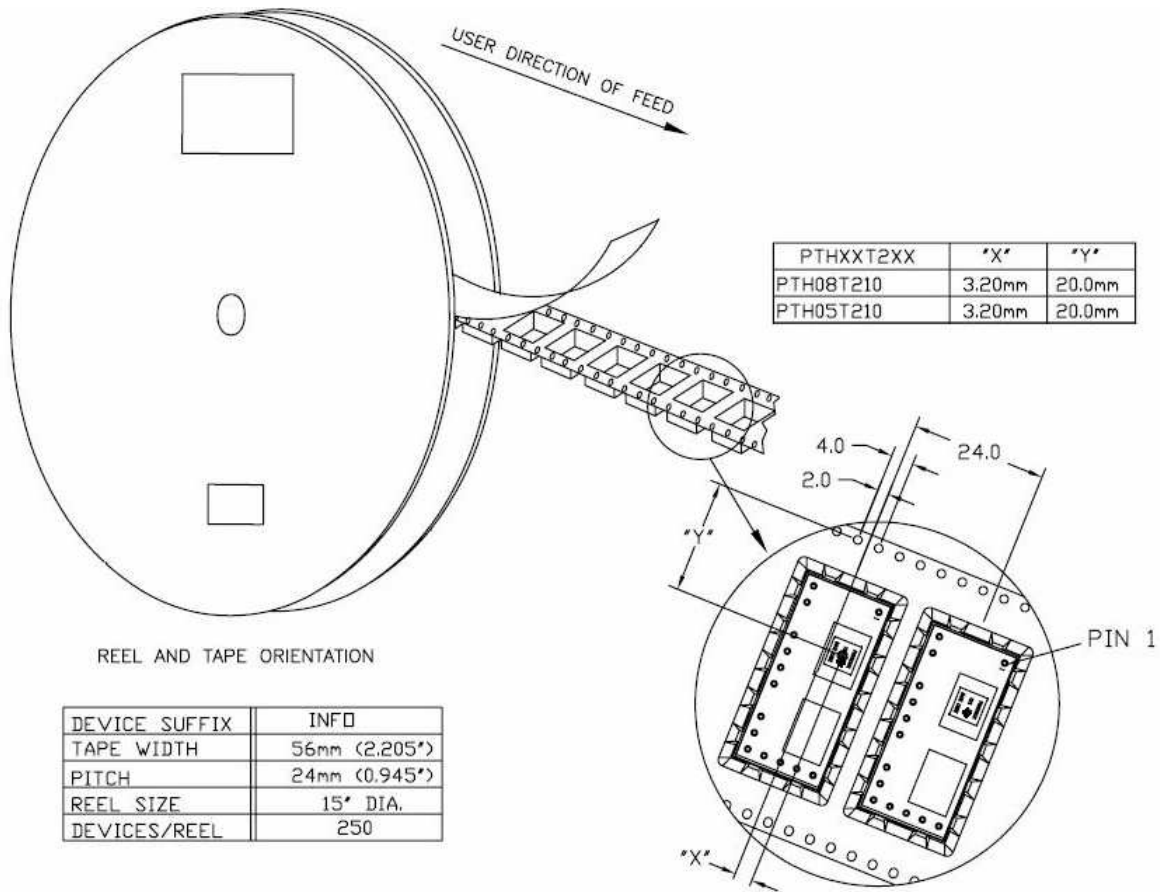


Figure 26. Simultaneous Power Down With Auto-Track Control

TAPE & REEL AND TRAY DRAWINGS



**PACKAGING INFORMATION**

Orderable Device	Status <sup>(1)</sup>	Package Type	Package Drawing	Pins	Package Qty	Eco Plan <sup>(2)</sup>	Lead/Ball Finish	MSL Peak Temp <sup>(3)</sup>
PTH08T210WAD	ACTIVE	DIP MOD ULE	ECP	14	35	Pb-Free (RoHS)	Call TI	N / A for Pkg Type
PTH08T210WAH	ACTIVE	DIP MOD ULE	ECP	14	35	TBD	Call TI	N / A for Pkg Type
PTH08T210WAS	ACTIVE	DIP MOD ULE	ECQ	14	35	TBD	Call TI	Level-1-235C-UNLIM
PTH08T210WAST	ACTIVE	DIP MOD ULE	ECQ	14	250	TBD	Call TI	Level-1-235C-UNLIM
PTH08T210WAZ	ACTIVE	DIP MOD ULE	ECQ	14	35	Pb-Free (RoHS)	Call TI	Level-3-260C-168 HR
PTH08T210WAZT	ACTIVE	DIP MOD ULE	ECQ	14	250	Pb-Free (RoHS)	Call TI	Level-3-260C-168 HR

<sup>(1)</sup> The marketing status values are defined as follows:

**ACTIVE:** Product device recommended for new designs.

**LIFEBUY:** TI has announced that the device will be discontinued, and a lifetime-buy period is in effect.

**NRND:** Not recommended for new designs. Device is in production to support existing customers, but TI does not recommend using this part in a new design.

**PREVIEW:** Device has been announced but is not in production. Samples may or may not be available.

**OBSOLETE:** TI has discontinued the production of the device.

<sup>(2)</sup> Eco Plan - The planned eco-friendly classification: Pb-Free (RoHS), Pb-Free (RoHS Exempt), or Green (RoHS & no Sb/Br) - please check <http://www.ti.com/productcontent> for the latest availability information and additional product content details.

**TBD:** The Pb-Free/Green conversion plan has not been defined.

**Pb-Free (RoHS):** TI's terms "Lead-Free" or "Pb-Free" mean semiconductor products that are compatible with the current RoHS requirements for all 6 substances, including the requirement that lead not exceed 0.1% by weight in homogeneous materials. Where designed to be soldered at high temperatures, TI Pb-Free products are suitable for use in specified lead-free processes.

**Pb-Free (RoHS Exempt):** This component has a RoHS exemption for either 1) lead-based flip-chip solder bumps used between the die and package, or 2) lead-based die adhesive used between the die and leadframe. The component is otherwise considered Pb-Free (RoHS compatible) as defined above.

**Green (RoHS & no Sb/Br):** TI defines "Green" to mean Pb-Free (RoHS compatible), and free of Bromine (Br) and Antimony (Sb) based flame retardants (Br or Sb do not exceed 0.1% by weight in homogeneous material)

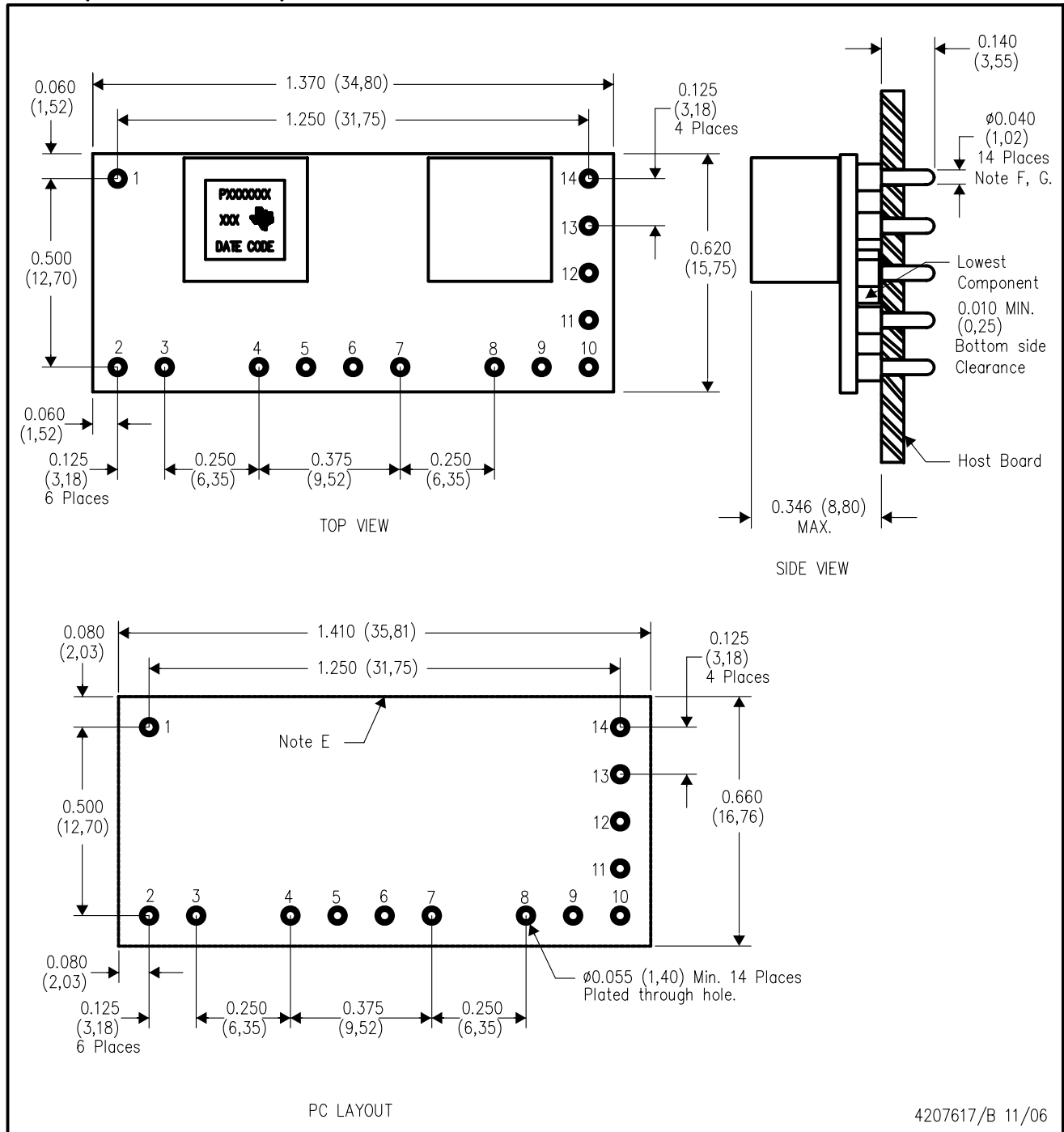
<sup>(3)</sup> MSL, Peak Temp. -- The Moisture Sensitivity Level rating according to the JEDEC industry standard classifications, and peak solder temperature.

**Important Information and Disclaimer:**The information provided on this page represents TI's knowledge and belief as of the date that it is provided. TI bases its knowledge and belief on information provided by third parties, and makes no representation or warranty as to the accuracy of such information. Efforts are underway to better integrate information from third parties. TI has taken and continues to take reasonable steps to provide representative and accurate information but may not have conducted destructive testing or chemical analysis on incoming materials and chemicals. TI and TI suppliers consider certain information to be proprietary, and thus CAS numbers and other limited information may not be available for release.

In no event shall TI's liability arising out of such information exceed the total purchase price of the TI part(s) at issue in this document sold by TI to Customer on an annual basis.

ECP (R-PDSS-T14)

DOUBLE SIDED MODULE

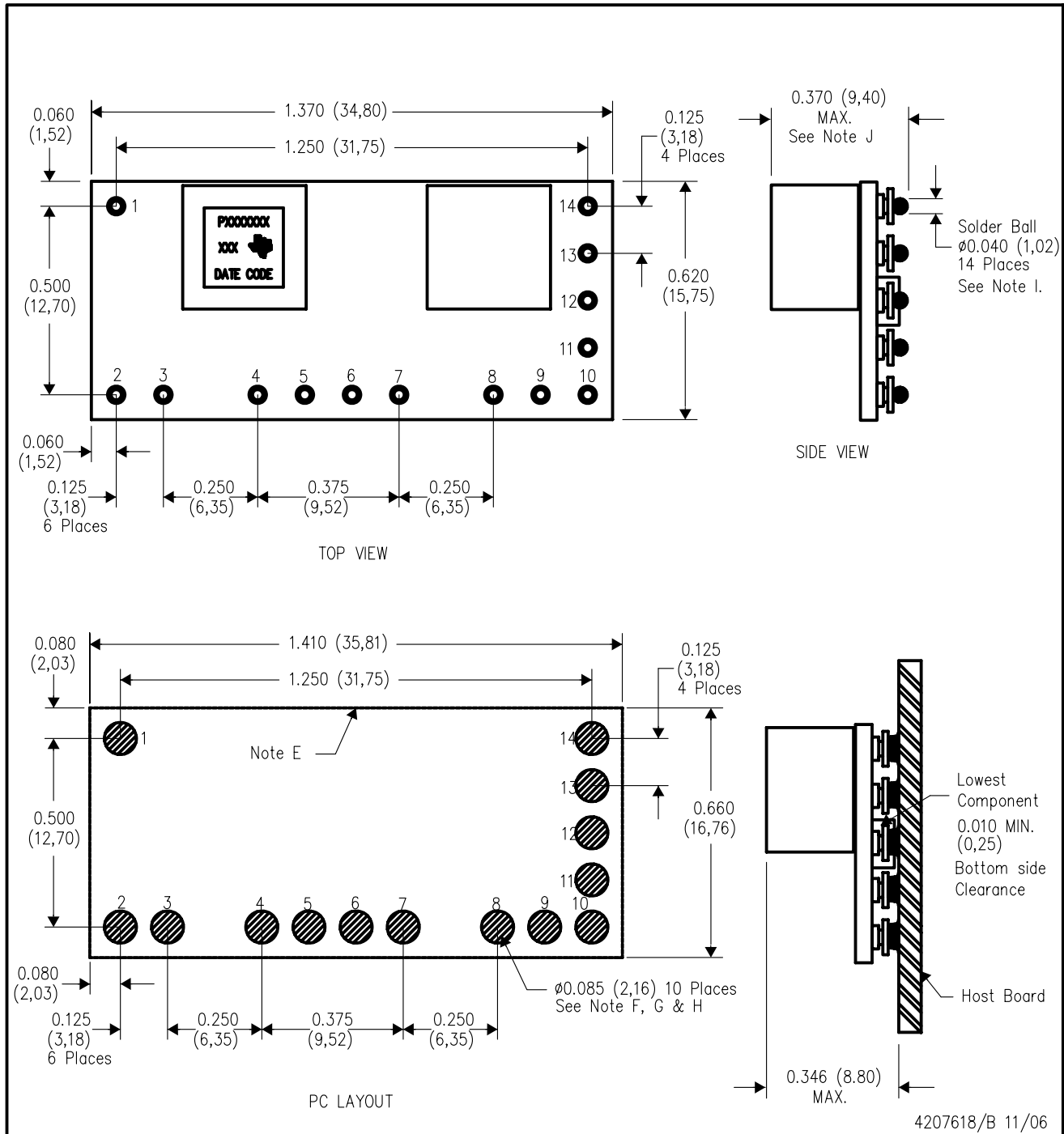


- NOTES:
- A. All linear dimensions are in inches (mm).
  - B. This drawing is subject to change without notice.
  - C. 2 place decimals are  $\pm 0.030$  ( $\pm 0,76$ mm).
  - D. 3 place decimals are  $\pm 0.010$  ( $\pm 0,25$ mm).
  - E. Recommended keep out area for user components.

- F. Pins are 0.040" (1,02) diameter with 0.070" (1,78) diameter standoff shoulder.
- G. All pins: Material - Copper Alloy  
Finish - Tin (100%) over Nickel plate

ECQ (R-PDSS-B14)

DOUBLE SIDED MODULE



- NOTES:
- A. All linear dimensions are in inches (mm).
  - B. This drawing is subject to change without notice.
  - C. 2 place decimals are  $\pm 0.030$  ( $\pm 0,76$ mm).
  - D. 3 place decimals are  $\pm 0.010$  ( $\pm 0,25$ mm).
  - E. Recommended keep out area for user components.
  - F. Power pin connection should utilize two or more vias to the interior power plane of 0.025 (0,63) I.D. per input, ground and output pin (or the electrical equivalent).
  - G. Paste screen opening: 0.080 (2,03) to 0.085 (2,16). Paste screen thickness: 0.006 (0,15).
  - H. Pad type: Solder mask defined.
  - I. All pins: Material – Copper Alloy  
Finish – Tin (100%) over Nickel plate  
Solder Ball – See product data sheet.
  - J. Dimension prior to reflow solder.

## IMPORTANT NOTICE

Texas Instruments Incorporated and its subsidiaries (TI) reserve the right to make corrections, modifications, enhancements, improvements, and other changes to its products and services at any time and to discontinue any product or service without notice. Customers should obtain the latest relevant information before placing orders and should verify that such information is current and complete. All products are sold subject to TI's terms and conditions of sale supplied at the time of order acknowledgment.

TI warrants performance of its hardware products to the specifications applicable at the time of sale in accordance with TI's standard warranty. Testing and other quality control techniques are used to the extent TI deems necessary to support this warranty. Except where mandated by government requirements, testing of all parameters of each product is not necessarily performed.

TI assumes no liability for applications assistance or customer product design. Customers are responsible for their products and applications using TI components. To minimize the risks associated with customer products and applications, customers should provide adequate design and operating safeguards.

TI does not warrant or represent that any license, either express or implied, is granted under any TI patent right, copyright, mask work right, or other TI intellectual property right relating to any combination, machine, or process in which TI products or services are used. Information published by TI regarding third-party products or services does not constitute a license from TI to use such products or services or a warranty or endorsement thereof. Use of such information may require a license from a third party under the patents or other intellectual property of the third party, or a license from TI under the patents or other intellectual property of TI.

Reproduction of information in TI data books or data sheets is permissible only if reproduction is without alteration and is accompanied by all associated warranties, conditions, limitations, and notices. Reproduction of this information with alteration is an unfair and deceptive business practice. TI is not responsible or liable for such altered documentation.

Resale of TI products or services with statements different from or beyond the parameters stated by TI for that product or service voids all express and any implied warranties for the associated TI product or service and is an unfair and deceptive business practice. TI is not responsible or liable for any such statements.

Following are URLs where you can obtain information on other Texas Instruments products and application solutions:

<b>Products</b>		<b>Applications</b>	
Amplifiers	<a href="http://amplifier.ti.com">amplifier.ti.com</a>	Audio	<a href="http://www.ti.com/audio">www.ti.com/audio</a>
Data Converters	<a href="http://dataconverter.ti.com">dataconverter.ti.com</a>	Automotive	<a href="http://www.ti.com/automotive">www.ti.com/automotive</a>
DSP	<a href="http://dsp.ti.com">dsp.ti.com</a>	Broadband	<a href="http://www.ti.com/broadband">www.ti.com/broadband</a>
Interface	<a href="http://interface.ti.com">interface.ti.com</a>	Digital Control	<a href="http://www.ti.com/digitalcontrol">www.ti.com/digitalcontrol</a>
Logic	<a href="http://logic.ti.com">logic.ti.com</a>	Military	<a href="http://www.ti.com/military">www.ti.com/military</a>
Power Mgmt	<a href="http://power.ti.com">power.ti.com</a>	Optical Networking	<a href="http://www.ti.com/opticalnetwork">www.ti.com/opticalnetwork</a>
Microcontrollers	<a href="http://microcontroller.ti.com">microcontroller.ti.com</a>	Security	<a href="http://www.ti.com/security">www.ti.com/security</a>
Low Power Wireless	<a href="http://www.ti.com/lpw">www.ti.com/lpw</a>	Telephony	<a href="http://www.ti.com/telephony">www.ti.com/telephony</a>
		Video & Imaging	<a href="http://www.ti.com/video">www.ti.com/video</a>
		Wireless	<a href="http://www.ti.com/wireless">www.ti.com/wireless</a>

Mailing Address: Texas Instruments  
Post Office Box 655303 Dallas, Texas 75265