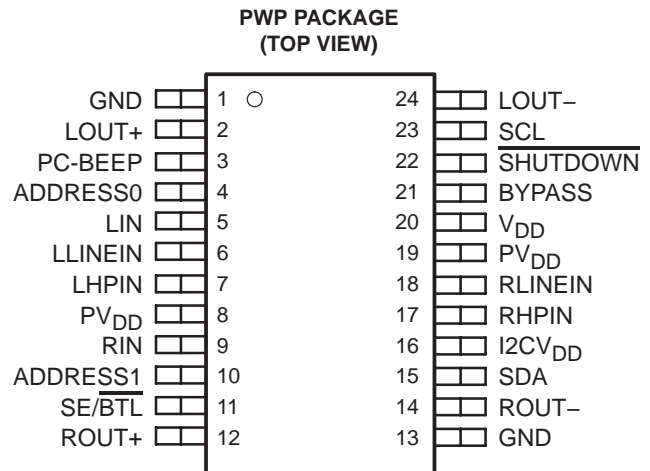


TPA0172 2-W STEREO AUDIO POWER AMPLIFIER WITH I²C BUS

SLOS327C – AUGUST 2000 – REVISED MAY 2001

- I²C Bus Controllable
- 2-W/Ch Output Power Into 4-Ω Load
- Low Supply Current and Shutdown Current
- Depop Circuitry
- Digital Volume Control From 20 dB to –60 dB
- Internal Gain Control, Which Eliminates External Gain-Setting Resistors
- Fully Differential Input
- Stereo Input MUX
- PC-Beep Input
- Compatible With PC 99 Desktop Line-Out Into 10-kΩ Load
- Compatible With PC 99 Portable Into 8-Ω Load
- Surface-Mount Power Packaging
24-Pin TSSOP PowerPAD™



description

The TPA0172 is a stereo audio power amplifier in a 24-pin TSSOP thermally enhanced package capable of delivering 2 W of continuous RMS power per channel into 4-Ω loads. This device utilizes the I²C bus to control its functionality, which minimizes the number of external components needed, simplifies the design, and frees up board space for other features. When driving 1 W into 8-Ω speakers, the TPA0172 has less than 0.2% THD+N from 20 Hz to 20 kHz.

Included within this device is integrated depop circuitry that virtually eliminates transients that cause noise in the speakers at power up, power down, and while transitioning in and out of shutdown mode.

The overall gain of the amplifier is controlled digitally by the volume control registers which are programmed via the I²C interface. At power up, the amplifier defaults to –60 dB in BTL mode, or –66 dB in SE mode. There are four registers that contain the gains: left BTL, right BTL, left SE, and right SE. Each register contains six bits, which allows 64 gain steps from –60 dB to 20 dB in 1.25-dB steps, and two bits that mute the amplifier.

The TPA0172 only consumes 6.5 mA of supply current during normal operation. A shutdown mode is included that reduces supply current to less than 15 μA.

The PowerPAD package (PWP) delivers a level of thermal performance that was previously achievable on TO-200-type packages. Thermal impedances of approximately 35°C/W are truly realized in multilayer PCB applications. This allows the TPA0172 to operate at full power into 8-Ω loads at ambient temperatures of 85°C.

AVAILABLE OPTIONS

T _A	PACKAGED DEVICE
	TSSOP† (PWP)
–40°C to 85°C	TPA0172PWP

† The PWP package is available taped and reeled. To order a taped and reeled part, add the suffix R to the part number (e.g., TPA0172PWPR).



Please be aware that an important notice concerning availability, standard warranty, and use in critical applications of Texas Instruments semiconductor products and disclaimers thereto appears at the end of this data sheet.

PowerPAD is a trademark of Texas Instruments.

PRODUCTION DATA information is current as of publication date. Products conform to specifications per the terms of Texas Instruments standard warranty. Production processing does not necessarily include testing of all parameters.



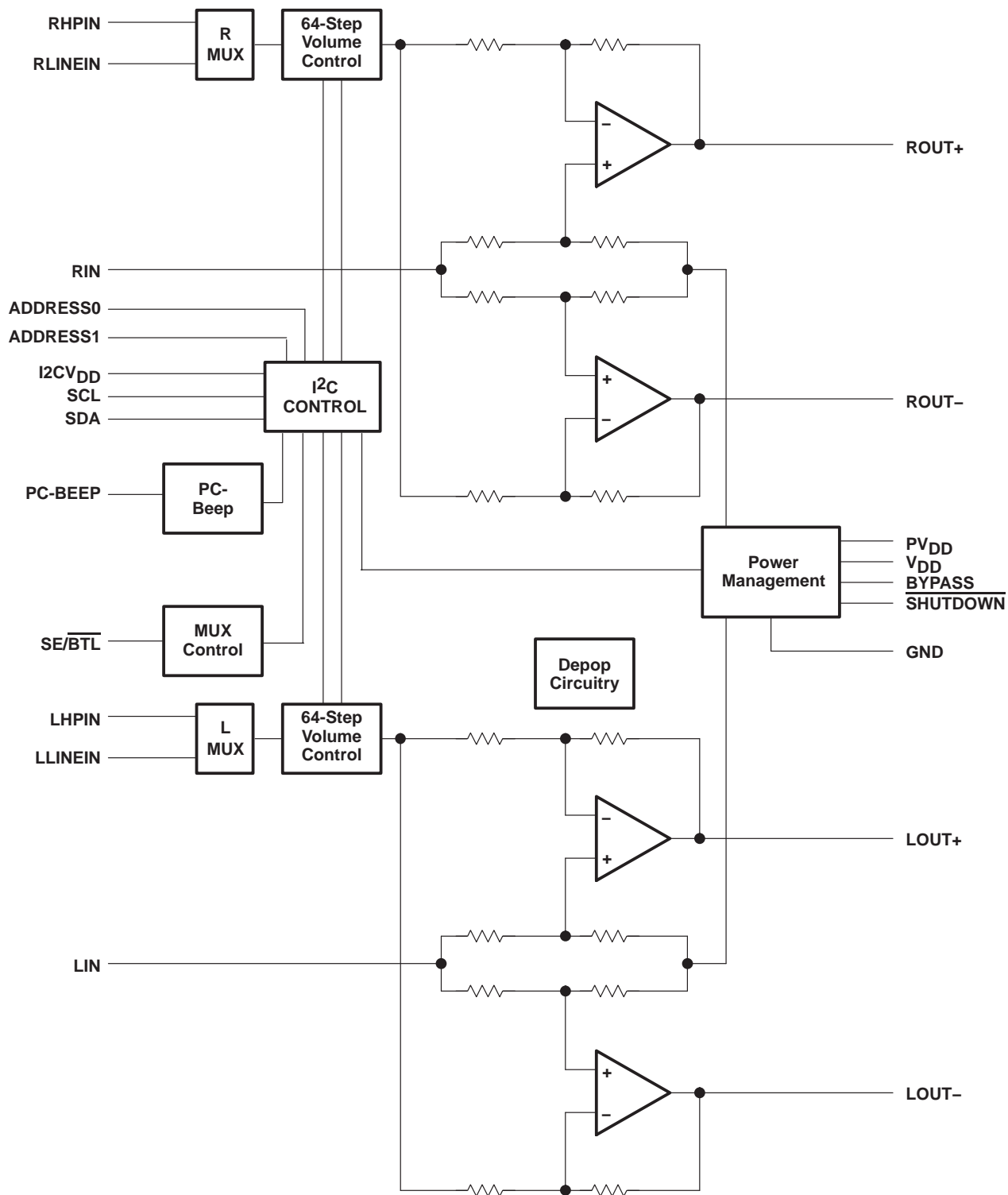
POST OFFICE BOX 655303 • DALLAS, TEXAS 75265

Copyright © 2001, Texas Instruments Incorporated

TPA0172 2-W STEREO AUDIO POWER AMPLIFIER WITH I²C BUS

SLOS327C – AUGUST 2000 – REVISED MAY 2001

functional block diagram



TPA0172
2-W STEREO AUDIO POWER AMPLIFIER
WITH I²C BUS

SLOS327C – AUGUST 2000 – REVISED MAY 2001

Terminal Functions

TERMINAL NAME	NO.	I/O	DESCRIPTION
ADDRESS0	4	I	Bit 0 of user-settable portion of device's I ² C address.
ADDRESS1	10	I	Bit 1 of user-settable portion of device's I ² C address.
BYPASS	21		Tap to voltage divider for internal midsupply bias generator.
GND	1, 13		Ground connection for circuitry. Connect to thermal pad
LHPIN	7	I	Left-channel headphone input, selected when SE/BTL is held high, or programmed via I ² C.
LIN	5	I	Common left input for fully differential input. AC ground for single-ended inputs.
LLINEIN	6	I	Left-channel line input, selected when SE/BTL is held low, or programmed via I ² C.
LOUT+	2	O	Left-channel positive output in BTL mode, and positive output in SE mode.
LOUT-	24	O	Left-channel negative output in BTL mode, and high impedance in SE mode.
PC-BEEP	3	I	The input for PC-BEEP mode which is enabled when a > 1-V (peak-to-peak) square wave is input to this terminal, when PCB ENABLE is held high, or programmed via I ² C. If not used, ground this terminal.
I2CVDD	16	I	The voltage on this terminal sets the trip points for the I ² C interface. If the system I ² C bus is running at 3.3 V, then tie this terminal to 3.3 V. If the system I ² C bus is running at 5 V, then tie this terminal to 5 V.
PVDD	8, 19	I	Power supply
RHPIN	17	I	Right-channel headphone input, selected when SE/BTL is held high, or programmed via I ² C.
RIN	9	I	Common right input for fully differential input. AC ground for single-ended inputs.
RLINEIN	18	I	Right-channel line input, selected when SE/BTL is held low, or programmed via I ² C.
ROUT+	12	O	Right-channel positive output in BTL mode, and positive output in SE mode.
ROUT-	14	O	Right-channel negative output in BTL mode, and high impedance in SE mode.
SCL	23	I	I ² C clock line
SDA	15		Serial data line of the I ² C bus. Pullup resistor must comply with the I ² C standard: minimum value = 3 kΩ, maximum value = 19 kΩ. Pull up to I2CVDD
SE/BTL	11	I	Input MUX control input. When this terminal is held high, the LHPIN or RHPIN, and the SE output are selected. When this terminal is held low, the LLINEIN or RLINEIN, and the BTL output are selected. This functionality can also be programmed via I ² C.
SHUTDOWN	22	I	When held low, this terminal places the device in the shutdown mode, except for the PC-BEEP input and the I ² C bus.
VDD	20	I	Power supply

TPA0172

2-W STEREO AUDIO POWER AMPLIFIER WITH I²C BUS

SLOS327C – AUGUST 2000 – REVISED MAY 2001

absolute maximum ratings over operating free-air temperature range (unless otherwise noted)[†]

Supply voltage, V_{DD}	6 V
Bus voltage, I ² C V_{DD}	6 V
Input voltage, V_I	-0.3 V to V_{DD} 0.3 V
Continuous total power dissipation	Internally Limited (see Dissipation Rating Table)
Operating free-air temperature range, T_A	-40°C to 85°C
Operating junction temperature range, T_J	-40°C to 150°C
Storage temperature range, T_{stg}	-65°C to 150°C
Lead temperature 1,6 mm (1/16 inch) from case for 10 seconds	260°C

[†] Stresses beyond those listed under “absolute maximum ratings” may cause permanent damage to the device. These are stress ratings only, and functional operation of the device at these or any other conditions beyond those indicated under “recommended operating conditions” is not implied. Exposure to absolute-maximum-rated conditions for extended periods may affect device reliability.

DISSIPATION RATING TABLE

PACKAGE	$T_A \leq 25^\circ\text{C}$	DERATING FACTOR	$T_A = 70^\circ\text{C}$	$T_A = 85^\circ\text{C}$
PWP	2.7 W [‡]	21.8 mW/°C	1.7 W	1.4 W

[‡] See the Texas Instruments document, *PowerPAD™ Thermally Enhanced Package Application Report* (literature number SLMA002), for more information on the PowerPAD™ package. The thermal data was measured on a PCB layout based on the information in the section entitled *Texas Instruments Recommended Board for PowerPAD™* on page 33 of the before mentioned document.

recommended operating conditions

		MIN	MAX	UNIT
Supply voltage, V_{DD}		4.5	5.5	V
Bus voltage, I ² C V_{DD} (see Note1)		3	5.5	V
High-level input voltage, V_{IH}	SE/BTL	4		V
	SHUTDOWN	2		
	ADDRESS0, ADDRESS1	3.5		
	SDA, SCL	0.7 I ² C V_{DD}		
Low-level input voltage, V_{IL}	SE/BTL		3	V
	SHUTDOWN		0.8	
	ADDRESS0, ADDRESS1		0.8	
	SDA, SCL		0.3 I ² C V_{DD}	
Operating free-air temperature, T_A		-40	85	°C

NOTE 1: I²C V_{DD} must be less than or equal to V_{DD} .



TPA0172

2-W STEREO AUDIO POWER AMPLIFIER WITH I²C BUS

SLOS327C – AUGUST 2000 – REVISED MAY 2001

electrical characteristics at specified free-air temperature, $V_{DD} = 5\text{ V}$, $T_A = 25^\circ\text{C}$ (unless otherwise noted)

PARAMETER		TEST CONDITIONS	MIN	TYP	MAX	UNIT
V _{OS}	Output offset voltage (measured differentially)	$V_I = 0\text{ V}$, $A_V = 20\text{ dB}$			20	mV
PSRR	Power supply rejection ratio	$V_{DD} = 4.5\text{ V to }5.5\text{ V}$		75		dB
I _{IH}	High-level input current	$V_{DD} = 5.5\text{ V}$, $V_I = V_{DD}$			1	μA
I _{IL}	Low-level input current	$V_{DD} = 5.5\text{ V}$, $V_I = 0\text{ V}$			1	μA
Z _i	Input impedance		7.5			kΩ
I _{DD}	Supply current	BTL mode		8	12	mA
I _{DD(SD)}	Supply current, shutdown mode	PC-BEEP = 0 V		15	35	μA
		PC-BEEP = $V_{DD}/2$		50	90	μA

operating characteristics, $V_{DD} = 5\text{ V}$, $T_A = 25^\circ\text{C}$, $R_L = 4\text{ }\Omega$, Gain = 20 dB, BTL mode (unless otherwise noted)

PARAMETER		TEST CONDITIONS	MIN	TYP	MAX	UNIT
P _O	Output power	THD = 0.08%, $f = 1\text{ kHz}$		2		W
THD + N	Total harmonic distortion plus noise	P _O = 1 W, $f = 20\text{ Hz to }20\text{ kHz}$		0.3%		
B _{OM}	Maximum output power bandwidth	THD = 1%		>20		kHz
	Supply ripple rejection ratio	$f = 1\text{ kHz}$, $C_B = 0.47\text{ }\mu\text{F}$	BTL mode		-58	dB
			SE mode		-52	
V _n	Noise output voltage	$C_B = 0.47\text{ }\mu\text{F}$, $f = 20\text{ Hz to }20\text{ kHz}$, Gain = 6 dB BTL, 0 dB SE	BTL mode		29	μV _{RMS}
			SE mode		23	

TYPICAL CHARACTERISTICS

Table of Graphs

			FIGURE
THD+N	Total harmonic distortion plus noise	vs Output power	1, 2, 4, 6
		vs Frequency	3, 5,
V _n	Output noise voltage	vs Frequency	7
	Supply ripple rejection ratio	vs Frequency	8, 9
	Crosstalk	vs Frequency	10, 11
	Shutdown attenuation	vs Frequency	12
	Closed loop response		13, 14
P _O	Output power	vs Load resistance	15, 16
P _D	Power dissipation	vs Output power	17, 18
		vs Ambient temperature	19



TYPICAL CHARACTERISTICS

TOTAL HARMONIC DISTORTION PLUS NOISE
vs
OUTPUT POWER

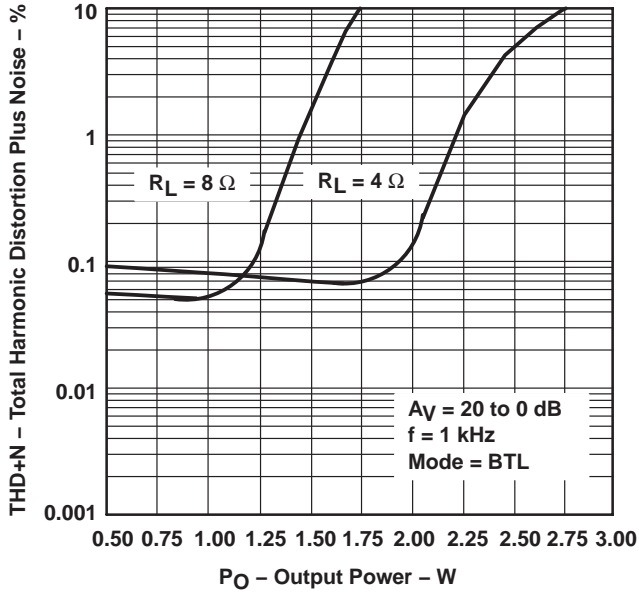


Figure 1

TOTAL HARMONIC DISTORTION PLUS NOISE
vs
OUTPUT POWER

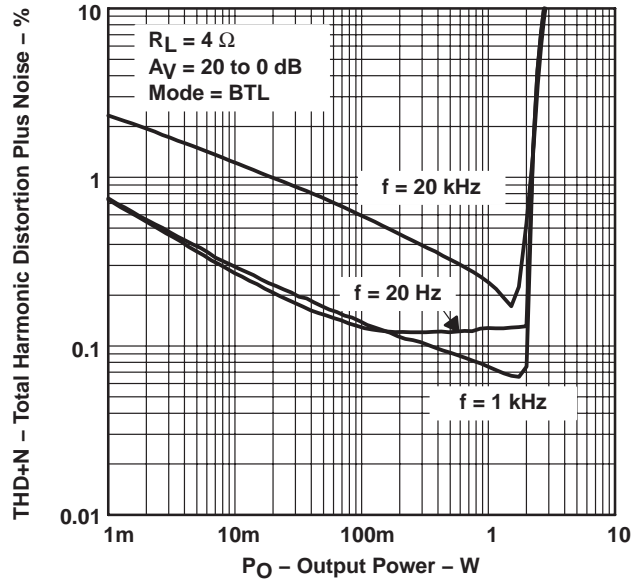


Figure 2

TOTAL HARMONIC DISTORTION PLUS NOISE
vs
FREQUENCY

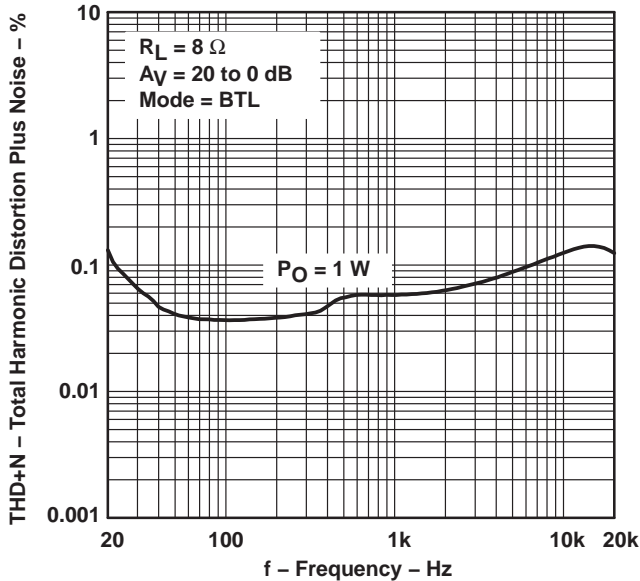


Figure 3

TOTAL HARMONIC DISTORTION PLUS NOISE
vs
OUTPUT POWER

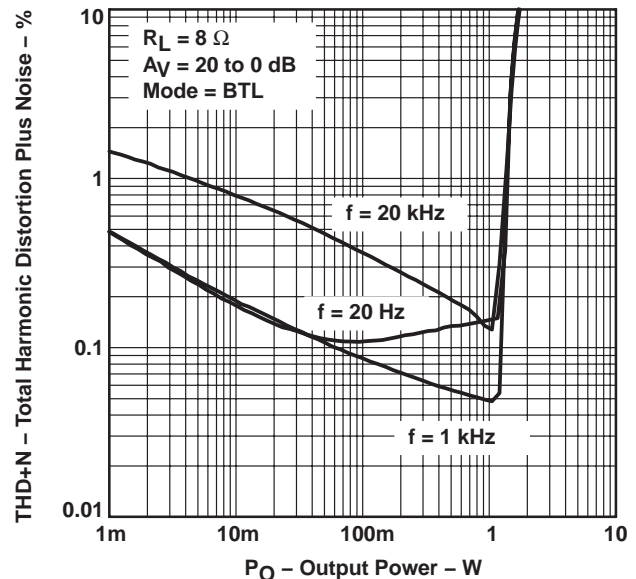


Figure 4

TYPICAL CHARACTERISTICS

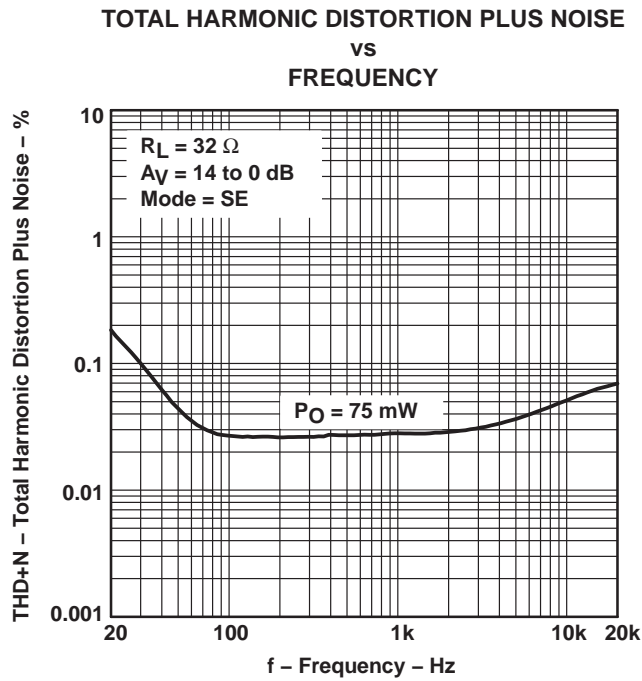


Figure 5

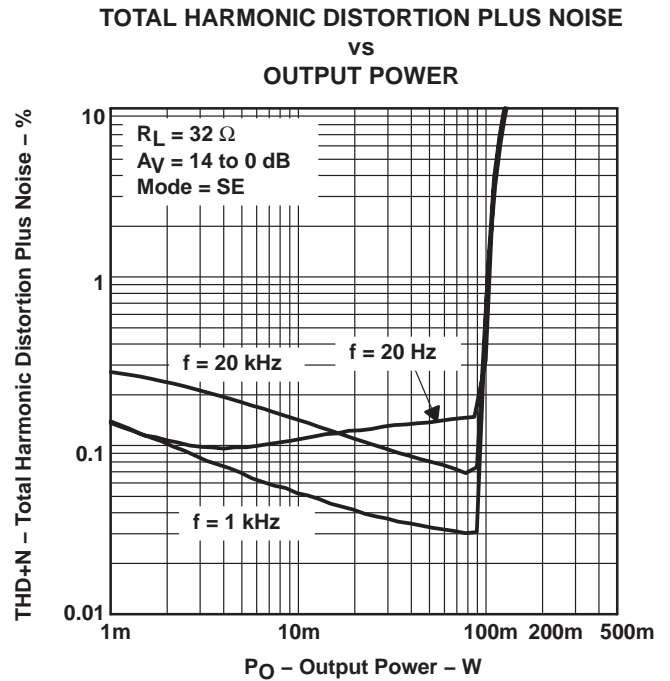


Figure 6

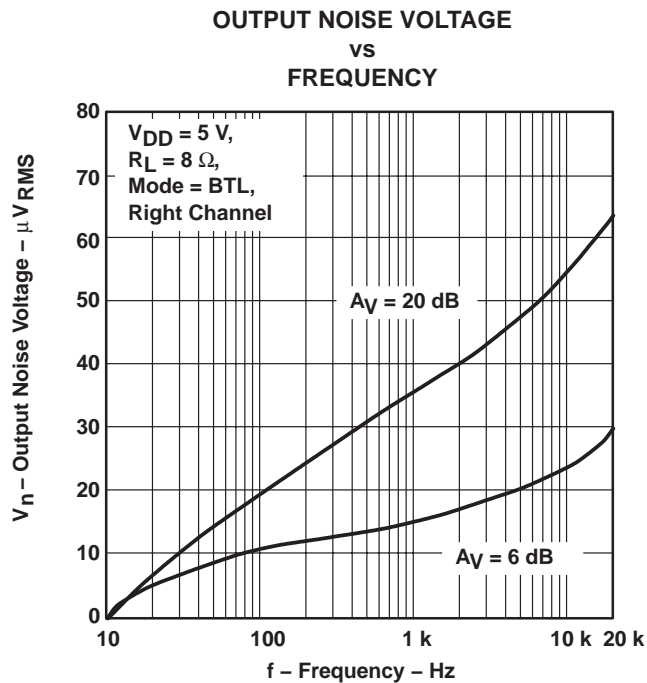


Figure 7

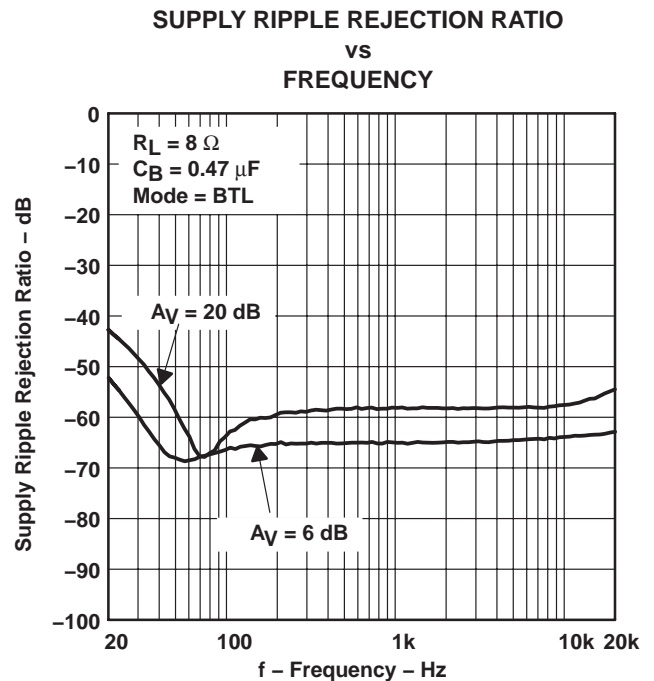


Figure 8

TPA0172
2-W STEREO AUDIO POWER AMPLIFIER
WITH I²C BUS

SLOS327C – AUGUST 2000 – REVISED MAY 2001

TYPICAL CHARACTERISTICS

**SUPPLY RIPPLE REJECTION RATIO
 VS
 FREQUENCY**

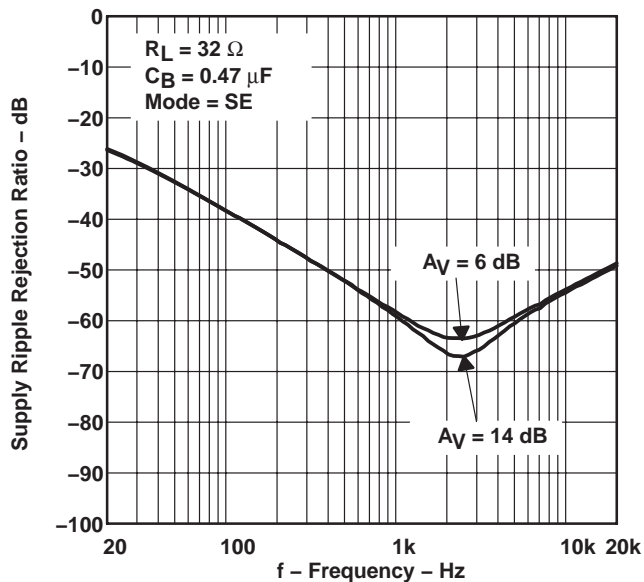


Figure 9

**CROSSTALK
 VS
 FREQUENCY**

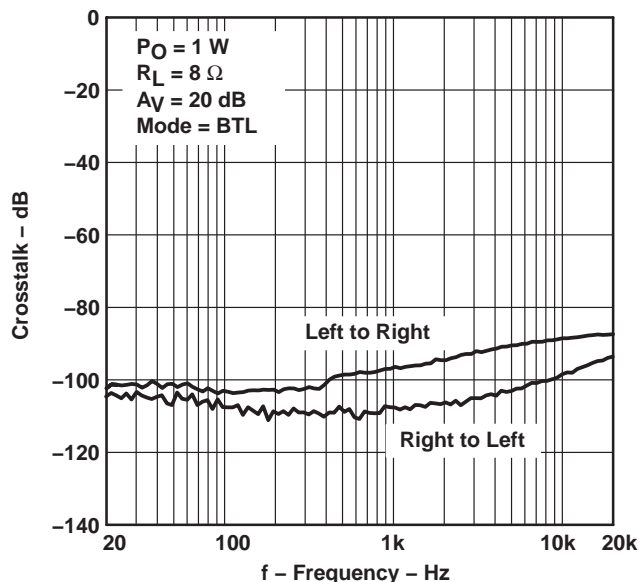


Figure 10

**CROSSTALK
 VS
 FREQUENCY**

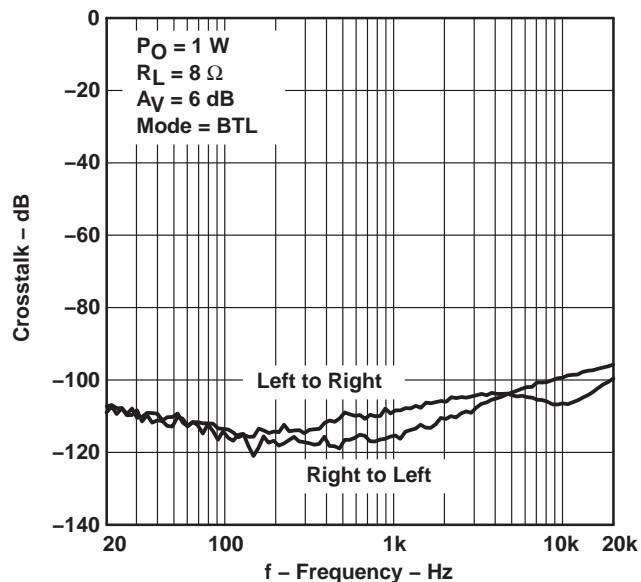


Figure 11

**SHUTDOWN ATTENUATION
 VS
 FREQUENCY**

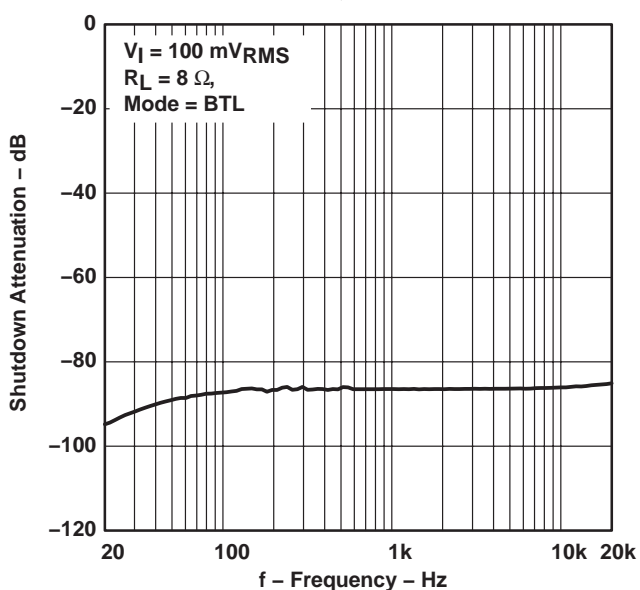


Figure 12

TYPICAL CHARACTERISTICS

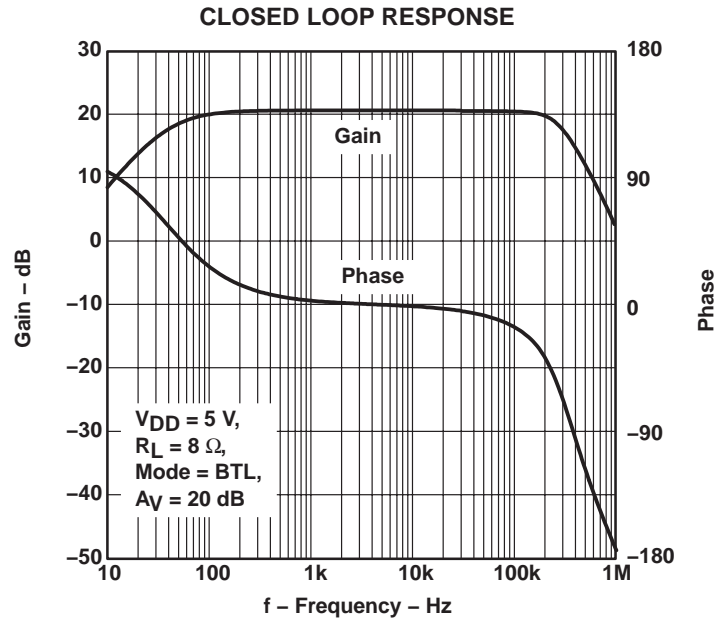


Figure 13

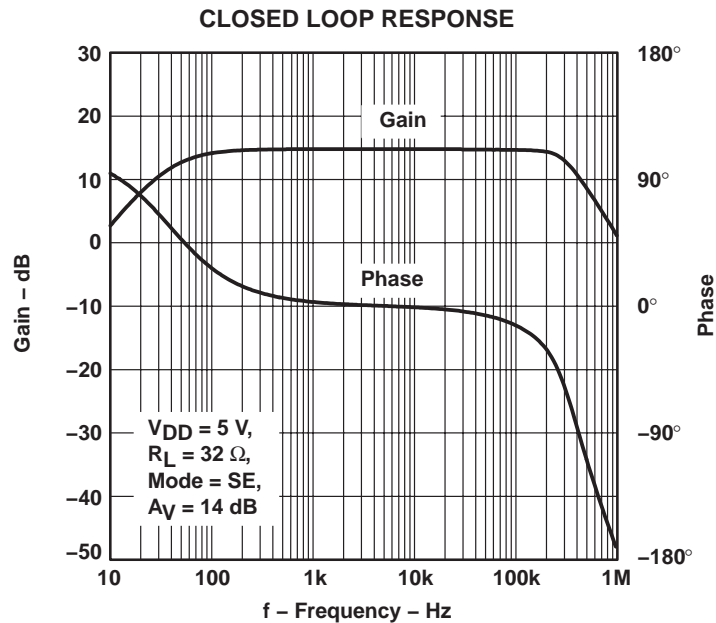


Figure 14

TYPICAL CHARACTERISTICS

**OUTPUT POWER
 vs
 LOAD RESISTANCE**

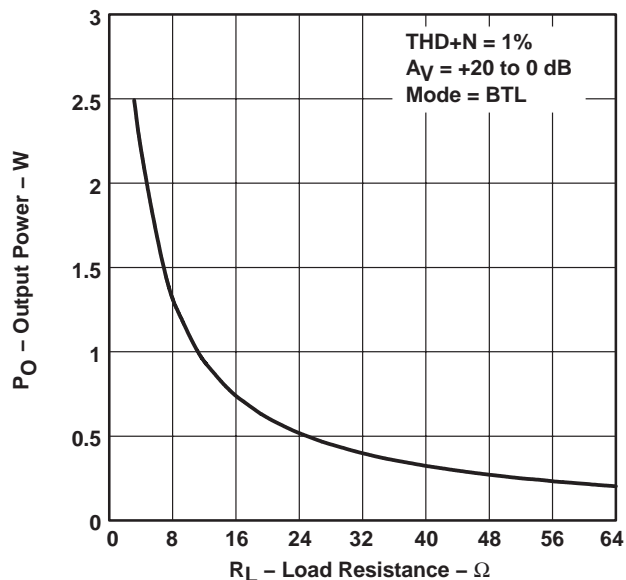


Figure 15

**OUTPUT POWER
 vs
 LOAD RESISTANCE**

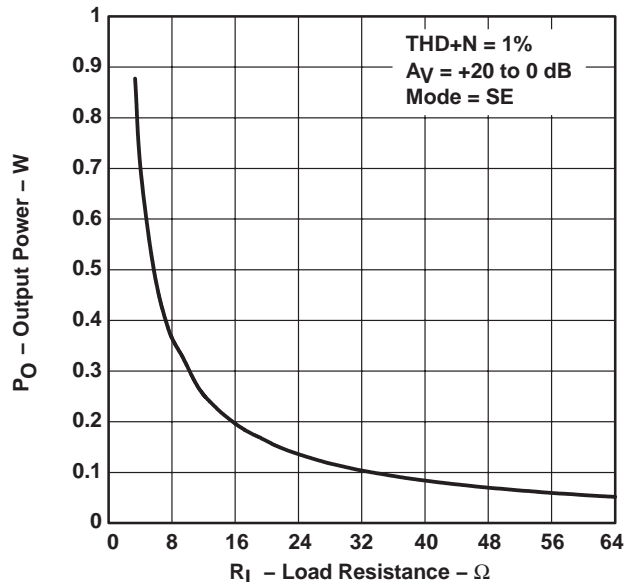


Figure 16

**POWER DISSIPATION
 vs
 OUTPUT POWER**

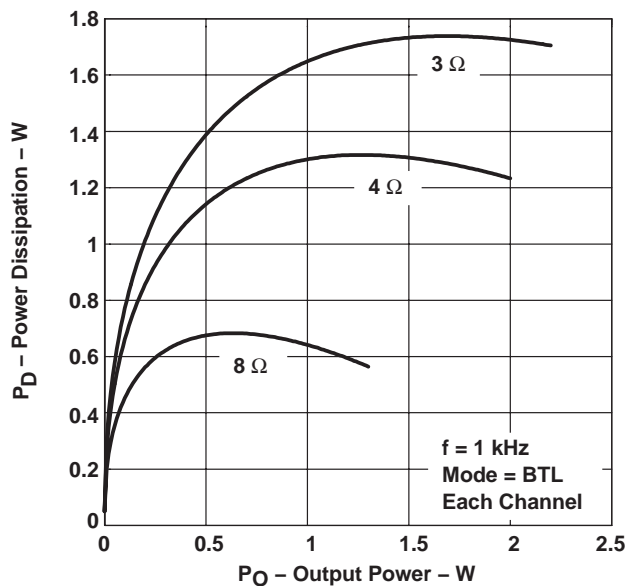


Figure 17

**POWER DISSIPATION
 vs
 OUTPUT POWER**

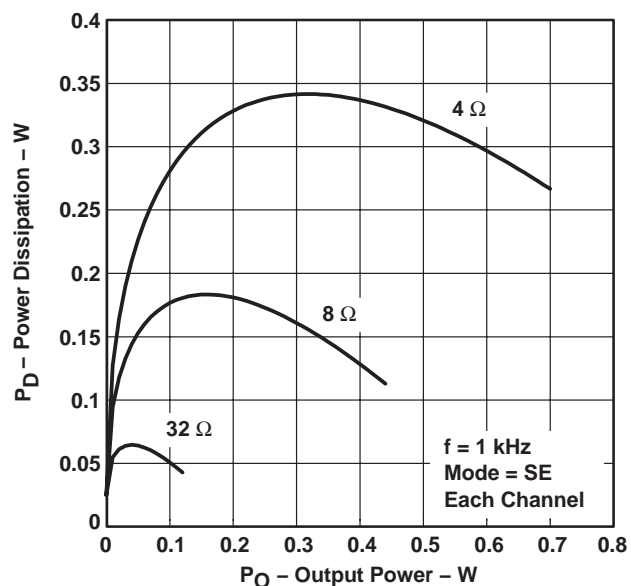


Figure 18

TYPICAL CHARACTERISTICS

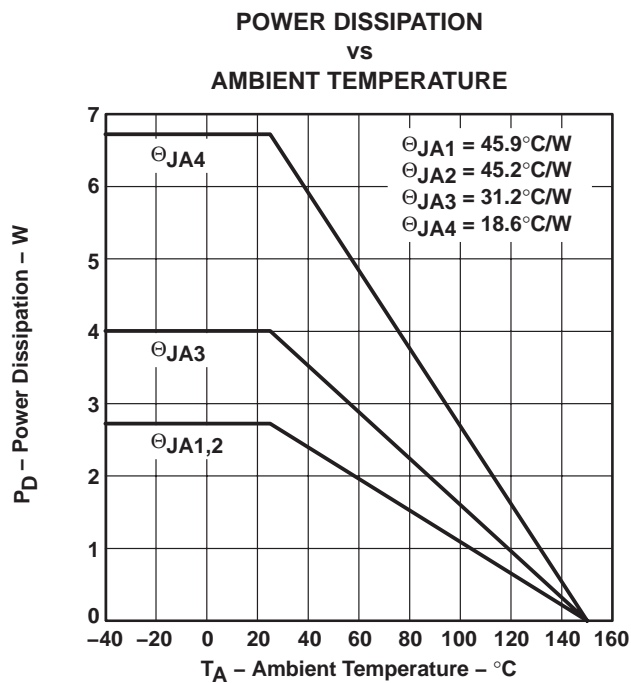


Figure 19

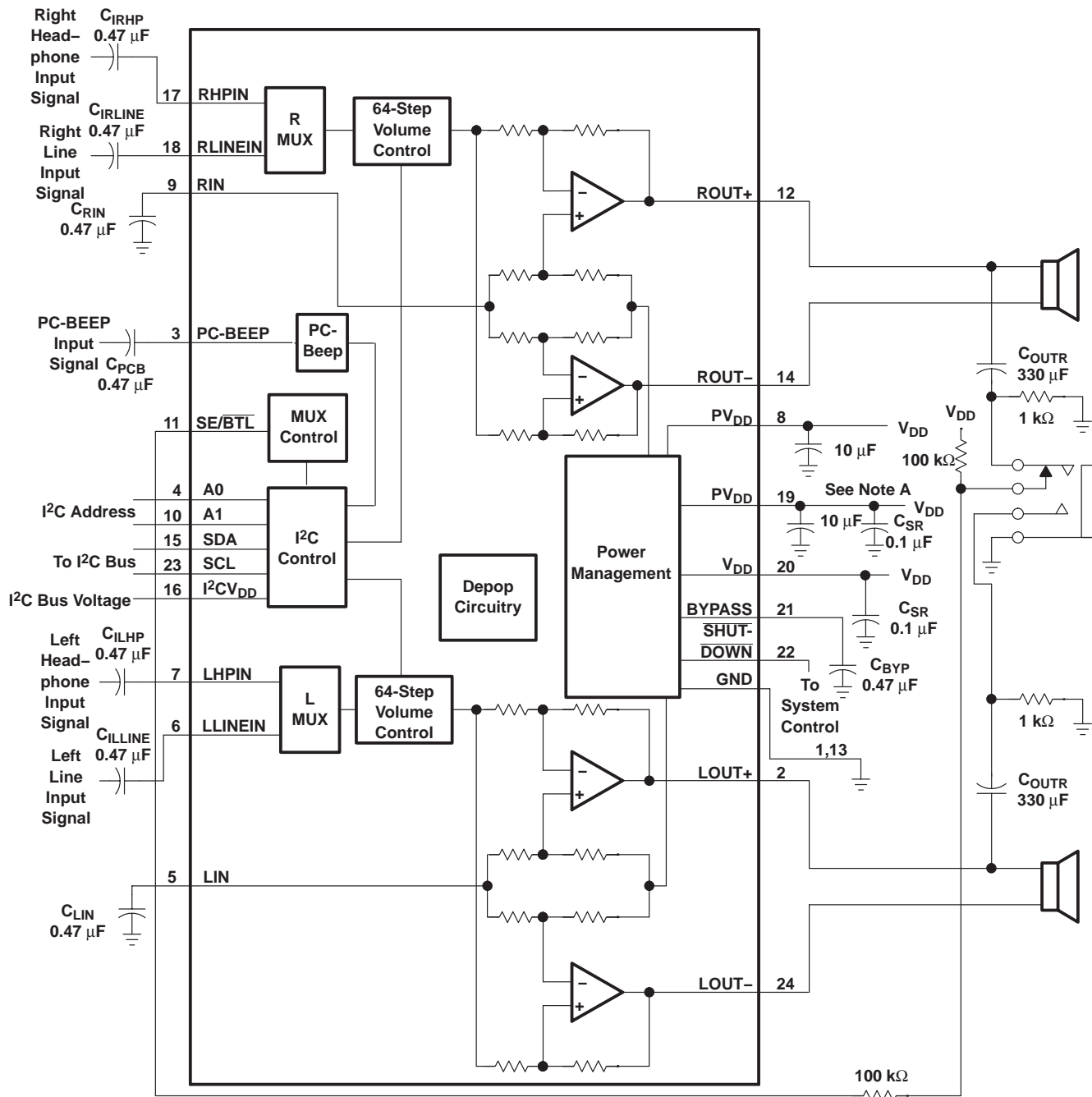
TPA0172 2-W STEREO AUDIO POWER AMPLIFIER WITH I²C BUS

SLOS327C – AUGUST 2000 – REVISED MAY 2001

APPLICATION INFORMATION

selection of components

Figure 20 and Figure 21 are schematic diagrams of typical notebook computer application circuits.

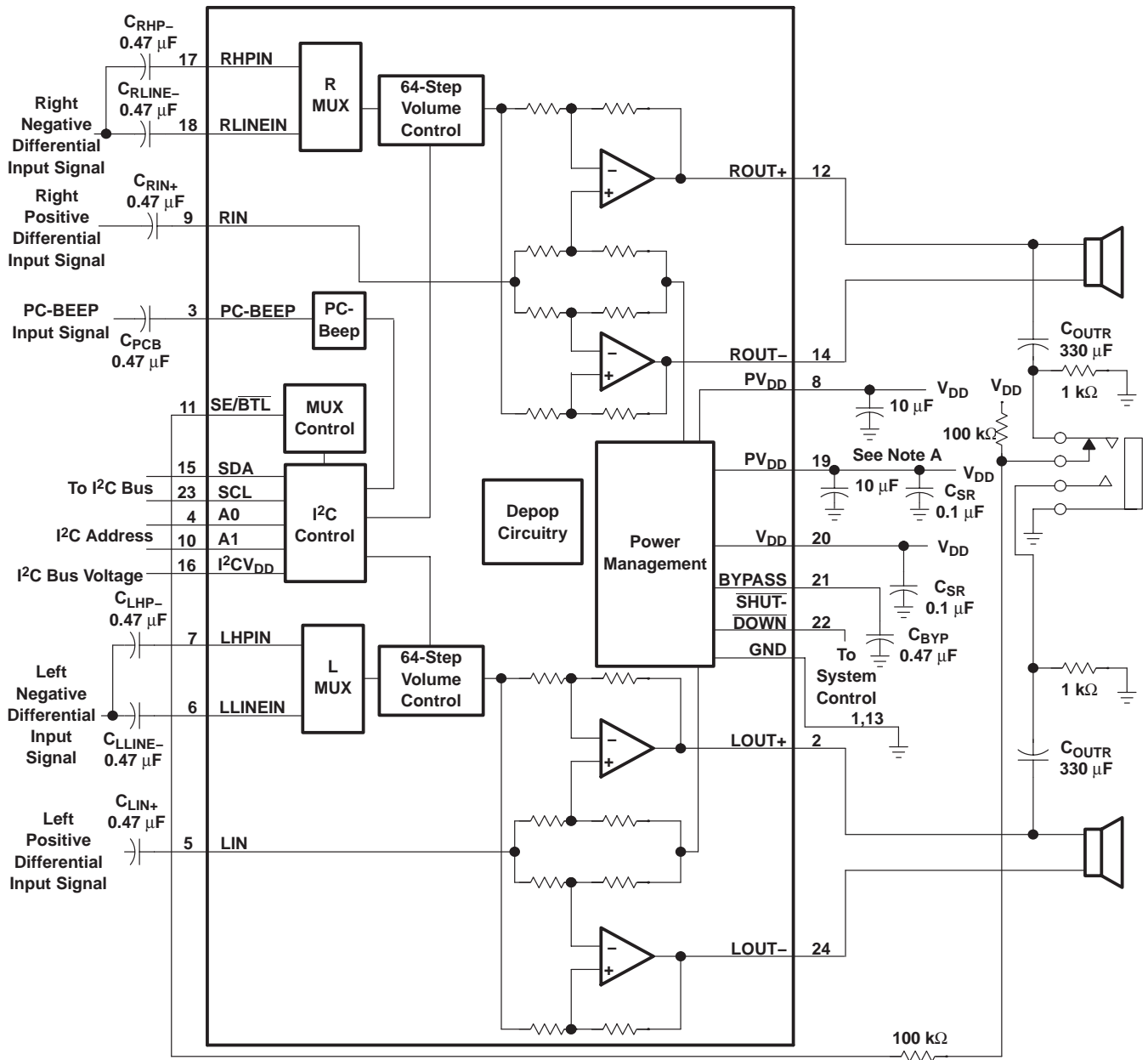


NOTE A: A 0.1- μ F ceramic capacitor should be placed as close as possible to the IC. For filtering lower-frequency noise signals, a larger electrolytic capacitor of 10 μ F or greater should be placed near the audio power amplifier.

Figure 20. Typical TPA0172 Application Circuit Using Single-Ended Inputs and Input MUX

APPLICATION INFORMATION

selection of components (continued)



NOTE A: A 0.1-μF ceramic capacitor should be placed as close as possible to the IC. For filtering lower-frequency noise signals, a larger electrolytic capacitor of 10 μF or greater should be placed near the audio power amplifier.

Figure 21. Typical TPA0172 Application Circuit Using Differential Inputs

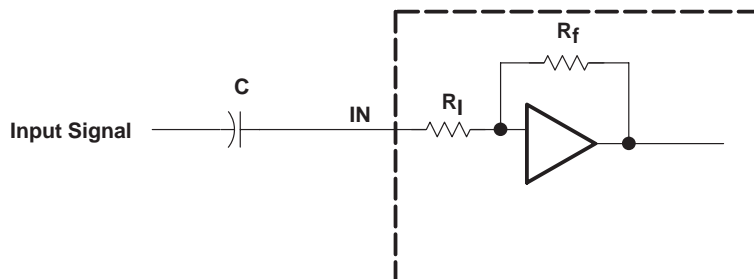
TPA0172
2-W STEREO AUDIO POWER AMPLIFIER
WITH I²C BUS

SLOS327C – AUGUST 2000 – REVISED MAY 2001

APPLICATION INFORMATION

input resistance

Each gain setting is achieved by varying the input resistance of the amplifier, which can range from its smallest value to over six times that value. As a result, if a single capacitor is used in the input high-pass filter, the -3 dB or cutoff frequency will also change by over six times.

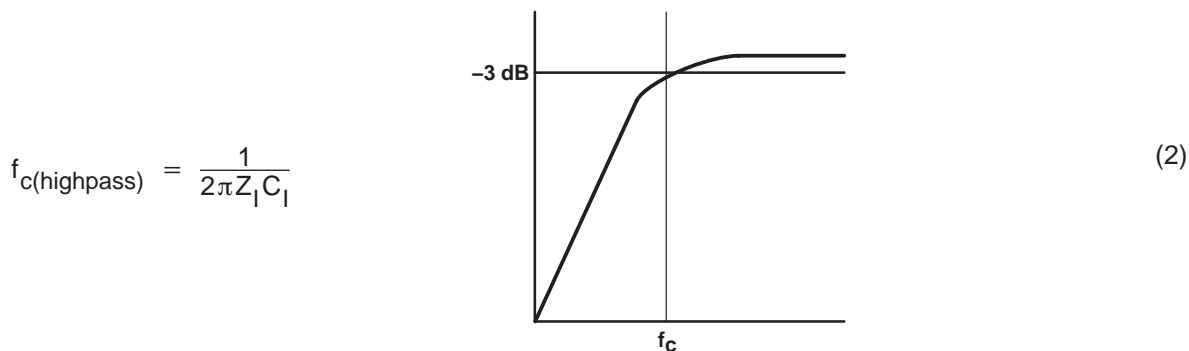


The -3-dB frequency can be calculated using equation 1.

$$f_{-3 \text{ dB}} = \frac{1}{2\pi CR_I} \tag{1}$$

input capacitor, C_I

In the typical application an input capacitor (C_I) is required to allow the amplifier to bias the input signal to the proper dc level for optimum operation. In this case, C_I and the input impedance of the amplifier (Z_I) form a high-pass filter with the corner frequency determined in equation 2.



$$f_{c(\text{highpass})} = \frac{1}{2\pi Z_I C_I} \tag{2}$$

The value of C_I is important to consider as it directly affects the bass (low frequency) performance of the circuit. Consider the example where Z_I is 710 kΩ and the specification calls for a flat-bass response down to 45 Hz. Equation 2 is reconfigured as equation 3.

$$C_I = \frac{1}{2\pi Z_I f_c} \tag{3}$$

APPLICATION INFORMATION

input capacitor, C_I (continued)

In this example, C_I is 0.47 μF so one would likely choose a value in the range of 0.47 μF to 1 μF. A further consideration for this capacitor is the leakage path from the input source through the input network (C_I) and the feedback network to the load. This leakage current creates a dc offset voltage at the input to the amplifier that reduces useful headroom, especially in high gain applications. For this reason a low-leakage tantalum or ceramic capacitor is the best choice. When polarized capacitors are used, the positive side of the capacitor should face the amplifier input in most applications, as the dc level there is held at V_{DD}/2, which is likely higher than the source dc level. Note that it is important to confirm the capacitor polarity in the application.

power supply decoupling, C_S

The TPA0172 is a high-performance CMOS audio amplifier that requires adequate power supply decoupling to ensure the output total harmonic distortion (THD) is as low as possible. Power supply decoupling also prevents oscillations for long lead lengths between the amplifier and the speaker. The optimum decoupling is achieved by using two capacitors of different types that target different types of noise on the power supply leads. For higher frequency transients, spikes, or digital hash on the line, a good low equivalent-series-resistance (ESR) ceramic capacitor, typically 0.1 μF placed as close as possible to the device V_{DD} lead works best. For filtering lower-frequency noise signals, a larger aluminum electrolytic capacitor of 10 μF or greater placed near the audio power amplifier is recommended.

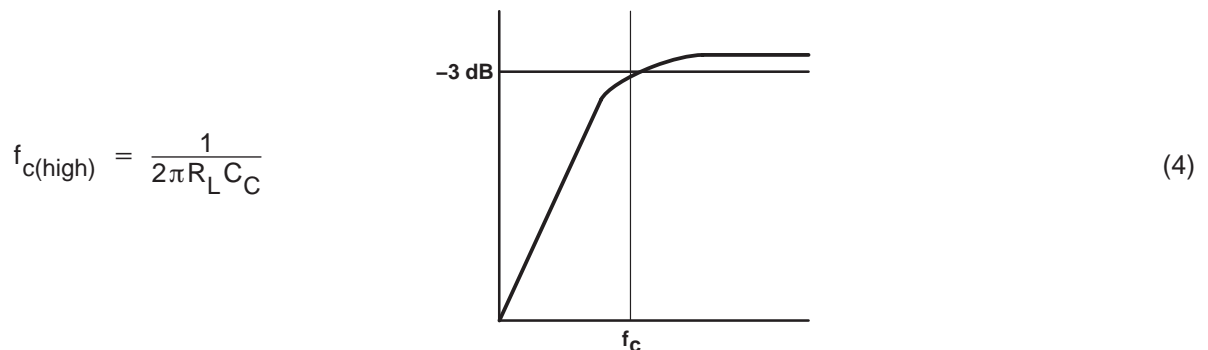
midrail bypass capacitor, C_{BYP}

The midrail bypass capacitor (C_{BYP}) is the most critical capacitor and serves several important functions. During start-up or recovery from shutdown mode, C_{BYP} determines the rate at which the amplifier starts up. The second function is to reduce noise produced by the power supply which is caused by coupling into the output drive signal. This noise is from the midrail generation circuit internal to the amplifier, which appears as degraded PSRR and THD+N.

Bypass capacitor (C_{BYP}) values of 0.47-μF to 1-μF ceramic or tantalum low-ESR capacitors are recommended for the best THD and noise performance.

output coupling capacitor, C_C

In the typical single-supply SE configuration, an output coupling capacitor (C_C) is required to block the dc bias at the output of the amplifier, thus preventing dc currents in the load. As with the input coupling capacitor, the output coupling capacitor and impedance of the load form a high-pass filter governed by equation 4.



The main disadvantage, from a performance standpoint, is the load impedances are typically small, which drives the low-frequency corner higher degrading the bass response. Large values of C_C are required to pass low frequencies into the load. Consider the example where a C_C of 330 μF is chosen and loads vary from 3 Ω, 4 Ω, 8 Ω, 32 Ω, 10 kΩ, and 47 kΩ. Table 1 summarizes the frequency response characteristics of each configuration.

APPLICATION INFORMATION

output coupling capacitor, C_C (continued)

Table 1. Common Load Impedances vs Low Frequency Output Characteristics in SE Mode

R _L	C _C	LOWEST FREQUENCY
3 Ω	330 μF	161 Hz
4 Ω	330 μF	120 Hz
8 Ω	330 μF	60 Hz
32 Ω	330 μF	15 Hz
10,000 Ω	330 μF	0.05 Hz
47,000 Ω	330 μF	0.01 Hz

As Table 1 indicates, most of the bass response is attenuated into a 4-Ω load, an 8-Ω load is adequate, headphone response is good, and drive into line level inputs (a home stereo for example) is exceptional.

using low-ESR capacitors

Low-ESR capacitors are recommended throughout this applications section. A real (as opposed to ideal) capacitor can be modeled simply as a resistor in series with an ideal capacitor. The voltage drop across this resistor minimizes the beneficial effects of the capacitor in the circuit. The lower the equivalent value of this resistance the more the real capacitor behaves like an ideal capacitor.

bridged-tied load versus single-ended mode

Figure 22 shows a linear audio power amplifier (APA) in a bridged-tied load (BTL) configuration. The TPA0172 BTL amplifier consists of two class-AB amplifiers driving both ends of the load. There are several potential benefits to this differential drive configuration, but initially consider power to the load. The differential drive to the speaker means that as one side is slewing up, the other side is slewing down, and vice versa. This in effect doubles the voltage swing on the load as compared to a ground referenced load. Plugging $2 \times V_{O(PP)}$ into the power equation, where voltage is squared, yields $4 \times$ the output power from the same supply rail and load impedance (see equation 5).

$$V_{(rms)} = \frac{V_{O(PP)}}{2\sqrt{2}} \quad (5)$$

$$\text{Power} = \frac{V_{(rms)}^2}{R_L}$$

APPLICATION INFORMATION

bridged-tied load versus single-ended mode (continued)

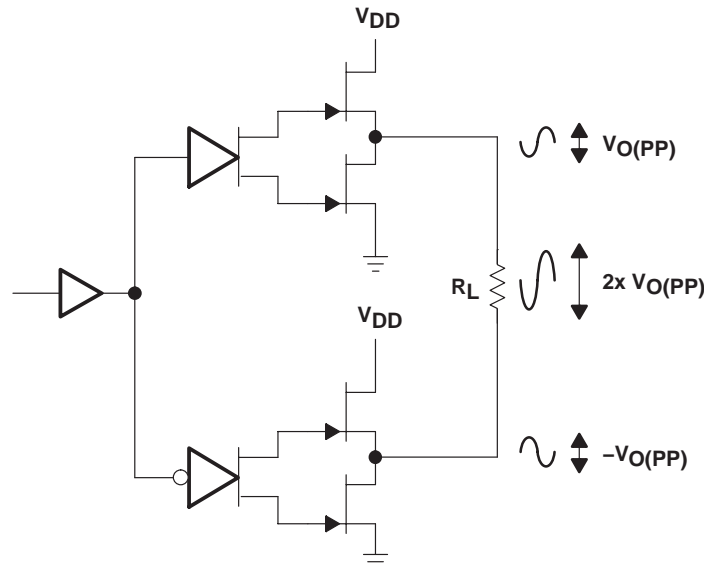


Figure 22. Bridge-Tied Load Configuration

In a typical computer sound channel operating at 5 V, bridging raises the power into an 8-Ω speaker from a singled-ended (SE, ground reference) limit of 250 mW to 1 W. In sound power that is a 6-dB improvement — which is loudness that can be heard. In addition to increased power, there are frequency response concerns. Consider the single-supply SE configuration shown in Figure 23. A coupling capacitor is required to block the dc offset voltage from reaching the load. These capacitors can be quite large (approximately 33 μF to 1000 μF), so they tend to be expensive, heavy, occupy valuable PCB area, and have the additional drawback of limiting low-frequency performance of the system. This frequency limiting effect is due to the high-pass filter network created with the speaker impedance and the coupling capacitance and is calculated using equation 6.

$$f_c = \frac{1}{2\pi R_L C_C} \tag{6}$$

For example, a 68-μF capacitor with an 8-Ω speaker would attenuate low frequencies below 293 Hz. The BTL configuration cancels the dc offsets, which eliminates the need for the blocking capacitors. Low-frequency performance is then limited only by the input network and speaker response. Cost and PCB space are also minimized by eliminating the bulky coupling capacitor.

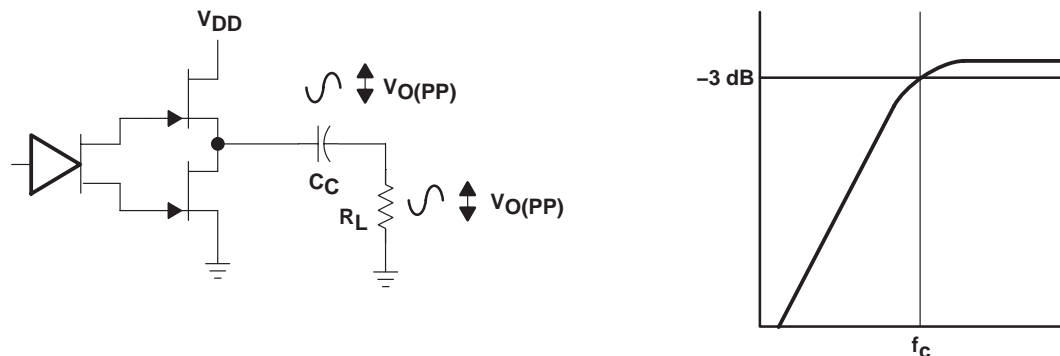


Figure 23. Single-Ended Configuration and Frequency Response

APPLICATION INFORMATION

bridged-tied load versus single-ended mode (continued)

Increasing power to the load does carry a penalty of increased internal power dissipation. The increased dissipation is understandable considering that the BTL configuration produces 4× the output power of the SE configuration. Internal dissipation versus output power is discussed further in the crest factor and thermal considerations section.

single-ended operation

In SE mode, the load is driven from the primary amplifier output for each channel (OUT+, terminals 2 and 12). The amplifier switches single-ended operation when the SE/BTL terminal is held high. This puts the negative outputs in a high-impedance state and reduces the amplifier’s gain to 1 V/V.

BTL amplifier efficiency

Class-AB amplifiers are inefficient. The primary cause of these inefficiencies is voltage drop across the output stage transistors. There are two components of the internal voltage drop. One is the headroom or dc voltage drop that varies inversely to output power. The second component is due to the sinewave nature of the output. The total voltage drop can be calculated by subtracting the RMS value of the output voltage from V_{DD}. The internal voltage drop multiplied by the RMS value of the supply current (I_{DDrms}) determines the internal power dissipation of the amplifier.

An easy-to-use equation to calculate efficiency starts out as being equal to the ratio of power from the power supply to the power delivered to the load. To accurately calculate the RMS and average values of power in the load and in the amplifier, the current and voltage waveform shapes must first be understood (see Figure 24).

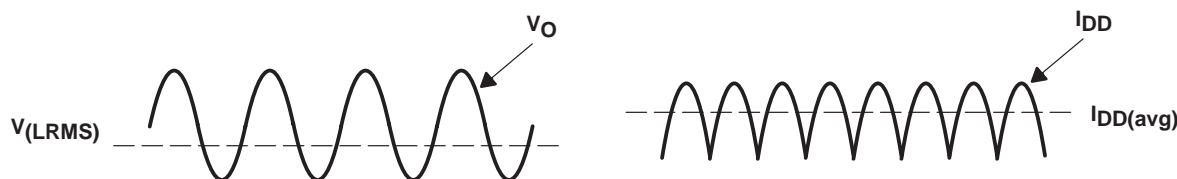


Figure 24. Voltage and Current Waveforms for BTL Amplifiers

Although the voltages and currents for SE and BTL are sinusoidal in the load, currents from the supply are very different between SE and BTL configurations. In an SE application the current waveform is a half-wave rectified shape, whereas in BTL it is a full-wave rectified waveform. This means RMS conversion factors are different. Keep in mind that for most of the waveform both the push and pull transistors are not on at the same time, which supports the fact that each amplifier in the BTL device only draws current from the supply for half the waveform. The following equations are the basis for calculating amplifier efficiency.

$$\text{Efficiency of a BTL amplifier} = \frac{P_L}{P_{SUP}} \tag{7}$$

Where:

$$P_L = \frac{V_L \text{ rms}^2}{R_L}, \text{ and } V_{LRMS} = \frac{V_P}{\sqrt{2}}, \text{ therefore, } P_L = \frac{V_P^2}{2R_L}$$

$$\text{and } P_{SUP} = V_{DD} I_{DD \text{ avg}} \text{ and } I_{DD \text{ avg}} = \frac{1}{\pi} \int_0^\pi \frac{V_P}{R_L} \sin(t) dt = \frac{1}{\pi} \times \frac{V_P}{R_L} [\cos(t)]_0^\pi = \frac{2V_P}{\pi R_L}$$

APPLICATION INFORMATION

BTL amplifier efficiency (continued)

Therefore,

$$P_{SUP} = \frac{2 V_{DD} V_P}{\pi R_L}$$

substituting P_L and P_{SUP} into equation 7,

$$\text{Efficiency of a BTL amplifier} = \frac{\frac{V_P^2}{2 R_L}}{\frac{2 V_{DD} V_P}{\pi R_L}} = \frac{\pi V_P}{4 V_{DD}}$$

Where:

$$V_P = \sqrt{2 P_L R_L}$$

Therefore,

$$\eta_{BTL} = \frac{\pi \sqrt{2 P_L R_L}}{4 V_{DD}} \tag{8}$$

- P_L = Power delivered to load
- P_{SUP} = Power drawn from power supply
- V_{LRMS} = RMS voltage on BTL load
- R_L = Load resistance
- V_P = Peak voltage on BTL load
- I_{DDavg} = Average current drawn from the power supply
- V_{DD} = Power supply voltage
- η_{BTL} = Efficiency of a BTL amplifier

Table 2 employs equation 8 to calculate efficiencies for four different output power levels. Note that the efficiency of the amplifier is quite low for lower power levels and rises sharply as power to the load is increased resulting in a nearly flat internal power dissipation over the normal operating range. Note that the internal dissipation at full output power is less than in the half power range. Calculating the efficiency for a specific system is the key to proper power supply design. For a stereo 1-W audio system with 8-Ω loads and a 5-V supply, the maximum draw on the power supply is almost 3.25 W.

Table 2. Efficiency vs Output Power in 5-V, 8-Ω BTL Systems

OUTPUT POWER (W)	EFFICIENCY (%)	PEAK VOLTAGE (V)	INTERNAL DISSIPATION (W)
0.25	31.4	2	0.55
0.5	44.4	2.83	0.62
1	62.8	4	0.59
1.25	70.2	4.47†	0.53

† High peak voltages cause the THD to increase.

A final point to remember about class-AB amplifiers (either SE or BTL) is how to manipulate the terms in the efficiency equation to the utmost advantage when possible. Note that in equation 8, V_{DD} is in the denominator. This indicates that as V_{DD} goes down, efficiency goes up.

TPA0172
2-W STEREO AUDIO POWER AMPLIFIER
WITH I²C BUS

SLOS327C – AUGUST 2000 – REVISED MAY 2001

APPLICATION INFORMATION

crest factor and thermal considerations

Class-AB power amplifiers dissipate a significant amount of heat in the package under normal operating conditions. A typical music CD requires 12 dB to 15 dB of dynamic range, or headroom above the average power output, to pass the loudest portions of the signal without distortion. In other words, music typically has a crest factor between 12 dB and 15 dB. When determining the optimal ambient operating temperature, the internal dissipated power at the average output power level must be used. When the TPA0172 is operating from a 5-V supply into a 3-Ω speaker, 4-W peaks are available. To convert watts to dB use equation 9.

$$P_{dB} = 10\text{Log} \left(\frac{P_W}{P_{ref}} \right) = 10\text{Log} \left(\frac{4W}{1W} \right) = 6 \text{ dB} \tag{9}$$

Subtracting the headroom restriction to obtain the average listening level without distortion yields:

- 6 dB – 15 dB = –9 dB (15-dB crest factor)
- 6 dB – 12 dB = –6 dB (12-dB crest factor)
- 6 dB – 9 dB = –3 dB (9-dB crest factor)
- 6 dB – 6 dB = 0 dB (6-dB crest factor)
- 6 dB – 3 dB = 3 dB (3-dB crest factor)

To convert dB back to watts use equation 10.

$$P_W = 10^{P_{dB}/10} \times P_{ref} \tag{10}$$

- = 63 mW (18-dB crest factor)
- = 125 mW (15-dB crest factor)
- = 250 mW (12-dB crest factor)
- = 500 mW (9-dB crest factor)
- = 1000 mW (6-dB crest factor)
- = 2000 mW (3-dB crest factor)

This is valuable information to consider when attempting to estimate the heat dissipation requirements for the amplifier system. Comparing the absolute worst case, which is 2 W of continuous power output with a 3-dB crest factor, against 12-dB and 15-dB applications drastically affects maximum ambient temperature ratings for the system. Using the power dissipation curves for a 5-V, 3-Ω system, the internal dissipation in the TPA0172 and maximum ambient temperatures are shown in Table 3.

Table 3. TPA0172 Power Rating, 5-V, 3-Ω Stereo

PEAK OUTPUT POWER (W)	AVERAGE OUTPUT POWER	POWER DISSIPATION (W/Channel)	MAXIMUM AMBIENT TEMPERATURE
4	2 W (3 dB)	1.7	–3°C
4	1000 mW (6 dB)	1.6	6°C
4	500 mW (9 dB)	1.4	24°C
4	250 mW (12 dB)	1.1	51°C
4	125 mW (15 dB)	0.8	78°C
4	63 mW (18 dB)	0.6	96°C



APPLICATION INFORMATION

crest factor and thermal considerations (continued)

Table 4. TPA0172 Power Rating, 5-V, 8-Ω Stereo

PEAK OUTPUT POWER	AVERAGE OUTPUT POWER	POWER DISSIPATION (W/Channel)	MAXIMUM AMBIENT TEMPERATURE
2.5 W	1250 mW (3-dB crest factor)	0.55	100°C
2.5 W	1000 mW (4-dB crest factor)	0.62	94°C
2.5 W	500 mW (7-dB crest factor)	0.59	97°C
2.5 W	250 mW (10-dB crest factor)	0.53	102°C

The maximum dissipated power ($P_{D(max)}$) is reached at a much lower output power level for an 8-Ω load than for a 3-Ω load. As a result, use equation 11 for calculating $P_{D(max)}$ for an 8-Ω application.

$$P_{D(max)} = \frac{2V_{DD}^2}{\pi^2 R_L} \quad (11)$$

However, in the case of a 3-Ω load, the $P_{D(max)}$ occurs at a point well above the normal operating power level. The amplifier may therefore be operated at a higher ambient temperature than required by the $P_{D(max)}$ formula for a 3-Ω load.

The maximum ambient temperature depends on the heat sinking ability of the PCB system. The derating factor for the PWP package is shown in the dissipation rating table. To convert this to Θ_{JA} use equation 12.

$$\Theta_{JA} = \frac{1}{\text{Derating Factor}} = \frac{1}{0.022} = 45^\circ\text{C/W} \quad (12)$$

To calculate maximum ambient temperatures, first consider that the numbers from the dissipation graphs are per channel so the dissipated power needs to be doubled for two channel operation. Given the maximum allowable junction temperature (Θ_{JA}) and the total internal dissipation, the maximum ambient temperature can be calculated using equation 13. The maximum recommended junction temperature for the TPA0172 is 150°C. The internal dissipation figures are taken from the power dissipation vs output power graphs.

$$\begin{aligned} T_A \text{ Max} &= T_J \text{ Max} - \Theta_{JA} P_D \\ &= 150 - 45(0.6 \times 2) = 96^\circ\text{C (15-dB crest factor)} \end{aligned} \quad (13)$$

NOTE:

Internal dissipation of 0.6 W is estimated for a 2-W system with 15-dB crest factor per channel.

Tables 3 and 4 show that for some applications no airflow is required to keep junction temperatures in the specified range. The TPA0172 is designed with thermal protection that turns the device off when the junction temperature surpasses 150°C to prevent damage to the IC. Tables 3 and 4 were calculated for maximum listening volume without distortion. When the output level is reduced, the numbers in the table change significantly. Also, using 8-Ω speakers significantly increases the thermal performance by increasing amplifier efficiency.

TPA0172 2-W STEREO AUDIO POWER AMPLIFIER WITH I²C BUS

SLOS327C – AUGUST 2000 – REVISED MAY 2001

APPLICATION INFORMATION

SE/BTL operation

The ability of the TPA0172 to easily switch between BTL and SE modes is one of its most important cost saving features. This feature eliminates the requirement for an additional headphone amplifier in applications where internal stereo speakers are driven in BTL mode but external headphone or speakers must be accommodated. Internal to the TPA0172, two separate amplifiers drive OUT+ and OUT-. The SE/BTL input controls the operation of the follower amplifier that drives LOU- and ROU-. When SE/BTL is held low, the amplifier is on and the TPA0172 is in the BTL mode. When SE/BTL is held high, the OUT- amplifiers are in a high output impedance state, which configures the TPA0172 as an SE driver for LOU+ and ROU+. I_{DD} is reduced by approximately one-half in SE mode. Control of the SE/BTL input can be from a logic-level CMOS source (see recommended operating conditions for levels) or, more typically, from a resistor divider network as shown in Figure 25.

The SE/BTL pin also selects the audio input and gain registers. When SE/BTL is held low, the RLINEIN input is selected and the BTL gain register values are used to set the gain of the input signal. When SE/BTL is held high, the RHPIN input is selected and the SE gain register values are used to set the gain. Table 5 shows the operation of the SE/BTL input pin in selecting different modes of operation.

Table 5. SE/BTL Operation

SE/BTL	INPUT	GAIN REGISTER	OUTPUT
Low	Line	BTL	BTL
High	Headphone	SE	SE

The external SE/BTL pin may also be disabled and its function controlled through the I²C interface. Refer to the I²C interface section.

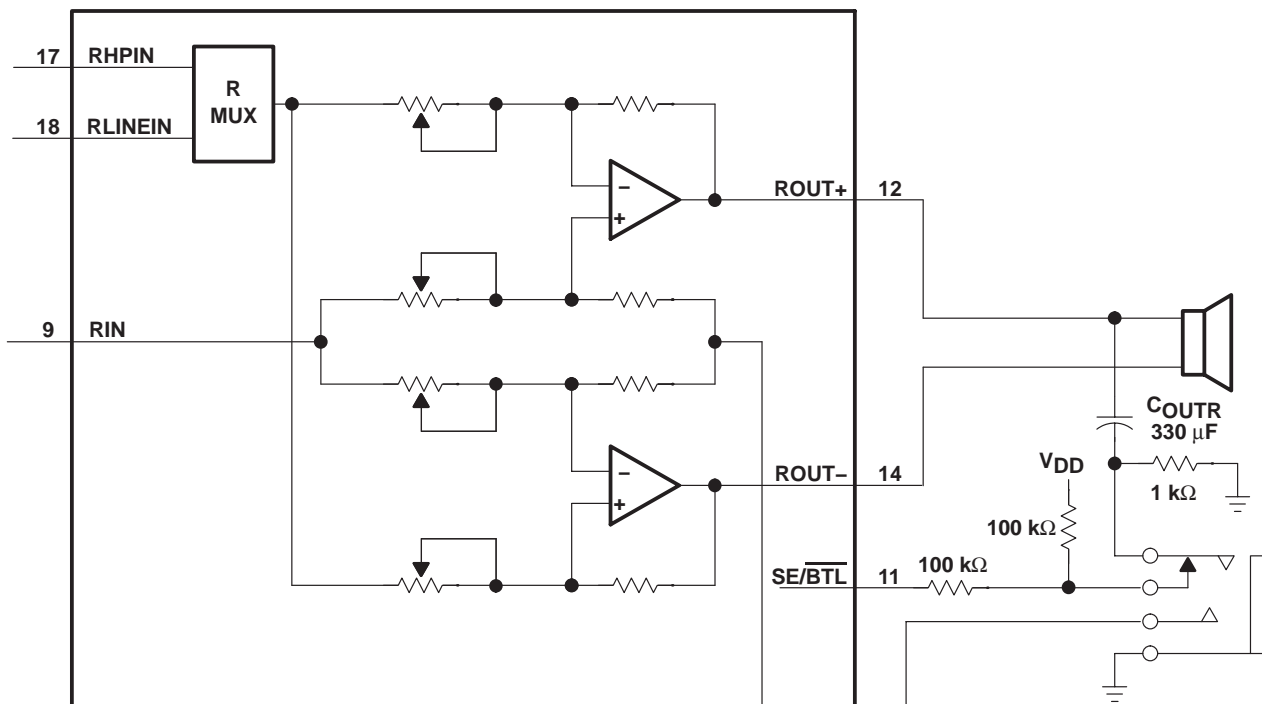


Figure 25. TPA0172 Resistor Divider Network Circuit

APPLICATION INFORMATION

SE/BTL operation (continued)

Using a 1/8-in. (3,5 mm) stereo headphone jack, the control switch is closed when no plug is inserted. When closed, the 100-kΩ/1-kΩ divider pulls the SE/BTL input low. When a plug is inserted, the 1-kΩ resistor is disconnected and the SE/BTL input is pulled high. When the input goes high, the OUT– amplifier is shut down causing the speaker to mute (virtually open-circuits the speaker). The OUT+ amplifier then drives through the output capacitor (C_O) into the headphone jack.

PC-BEEP operation

The PC-BEEP input allows a system beep to be sent directly from a computer through the amplifier to the speakers with few external components. The input is normally activated automatically but may be selected manually through the I²C interface. Refer to the I²C interface section. When the PC-BEEP input is active, both of the LINEIN and HPIN inputs are deselected and both the left and right channels are driven in BTL mode with the signal from PC-BEEP. The gain from the PC-BEEP input to the speakers is fixed at 0.3 V/V and is independent of the volume setting. When the PC-BEEP input is deselected, the amplifier will return to the previous operating mode and volume setting. Furthermore, if the amplifier is in shutdown mode, activating PC-BEEP will take the device out of shutdown and output the PC-BEEP signal, and then return the amplifier to shutdown mode.

In auto-detect mode, the amplifier will automatically switch to PC-BEEP mode after detecting a valid signal at the PC-BEEP input. The preferred input signal is a square wave or pulse train with an amplitude of 1 V_{pp} or greater. To be accurately detected, the signal must have a minimum of 1-V_{pp} amplitude, rise and fall times of less than 0.1 μs, and a minimum of eight rising edges. When the signal is no longer detected, the amplifier will return to its previous operating mode and volume setting.

When manually selected, the PC-BEEP input is selected, and the LINEIN and HPIN inputs are deactivated regardless of the input signal.

If it is desired to ac couple the PC-BEEP input, the value of the coupling capacitor should be chosen to satisfy the following equation:

$$C_{PCB} \geq \frac{1}{2\pi f_{PCB} (100 \text{ k}\Omega)} \quad (14)$$

The PC-BEEP input can also be dc coupled to avoid using this coupling capacitor. The pin normally sits at midrail when no signal is present.

APPLICATION INFORMATION

shutdown modes

The TPA0172 employs a shutdown mode of operation designed to reduce supply current (I_{DD}) to the absolute minimum level during periods of nonuse for battery-power conservation. The $\overline{\text{SHUTDOWN}}$ input terminal should be held high during normal operation when the amplifier is in use. Pulling $\overline{\text{SHUTDOWN}}$ low causes the outputs to mute and the amplifier to enter a low-current state ($I_{DD} = 15 \mu\text{A}$). $\overline{\text{SHUTDOWN}}$ should never be left unconnected because amplifier operation would be unpredictable.

The external $\overline{\text{SHUTDOWN}}$ pin may also be disabled and its function controlled through the I²C interface. Refer to the I²C interface section.

I²C interface

The I²C interface is used to access the internal registers of the TPA0172. This two pin interface consists of one clock line (SCL) and one serial data line (SDA). The basic I²C access cycles are shown in Figure 26.

The basic access cycle consists of the following:

- A start condition
- A slave address cycle
- Any number of data cycles
- A stop condition

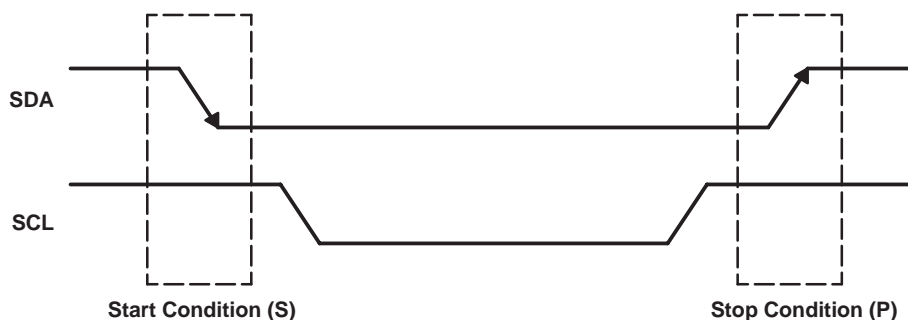


Figure 26. I²C Start and Stop Conditions

The start and stop conditions are shown in Figure 26. The high-to-low transition of SDA while SCL is high, defines the start condition. The low-to-high transition of SDA while SCL is high, defines the stop condition. Each cycle, data, or address consists of 8 bits of serial data followed by one acknowledge bit generated by the receiving device. Thus, each data/address cycle contains nine bits as shown in Figure 27.

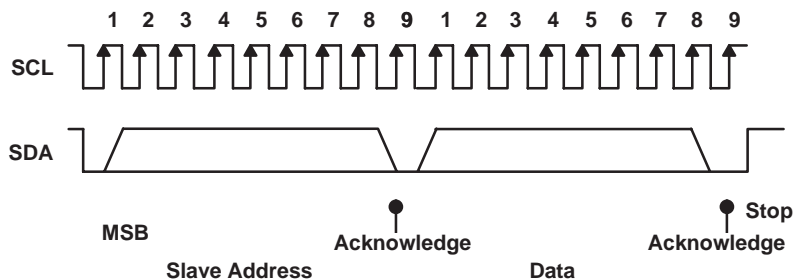


Figure 27. I²C Access Cycles

APPLICATION INFORMATION

As indicated in Figure 27, following a start condition, each I²C device decodes the slave address. The TPA0172 responds with an acknowledge by pulling the SDA line low during the ninth clock cycle, if it decodes the address as its address.

During a write cycle, the transmitting device must not drive the SDA signal line during the acknowledge cycle so that the receiving device may drive the SDA signal low. After each byte transfer following the address byte, the receiving device will pull the SDA line low for one SCL clock cycle. A stop condition will be initiated by the transmitting device after the last byte is transferred. An example of a write cycle can be found in Figure 28 and Figure 29.

During a read cycle, the slave receiver will acknowledge the initial address byte if it decodes the address as its address. Following this initial acknowledge by the slave, the master device becomes a receiver and acknowledges data bytes sent by the slave. When the master has received all of the requested data bytes from the slave, the not acknowledge (\bar{A}) condition is initiated by the master by keeping the SDA signal high just before it asserts the stop (P) condition. This sequence terminates a read cycle as shown in Figure 30 and Figure 31.

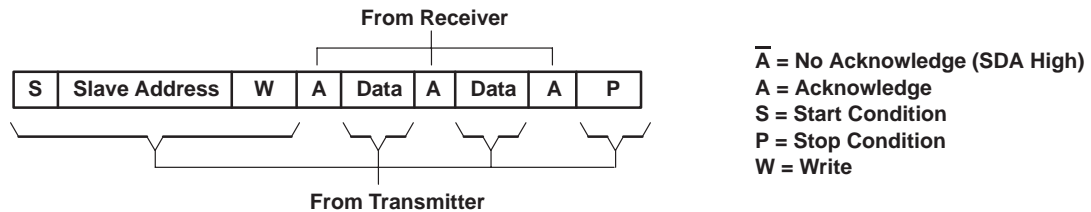


Figure 28. I²C Write Cycle

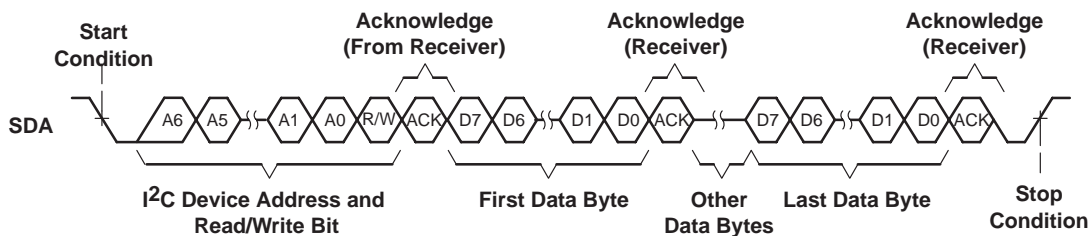


Figure 29. Multiple Byte Write Transfer

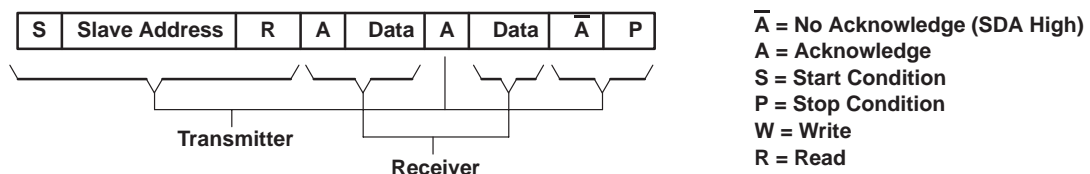


Figure 30. I²C Read Cycle

TPA0172
2-W STEREO AUDIO POWER AMPLIFIER
WITH I²C BUS

SLOS327C – AUGUST 2000 – REVISED MAY 2001

APPLICATION INFORMATION

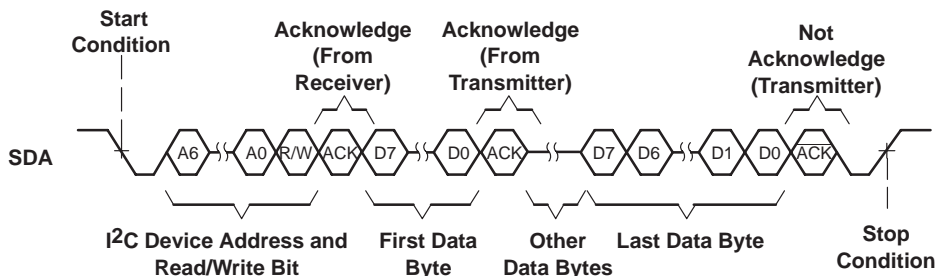


Figure 31. Multiple Byte Read Transfer

timing characteristics for I²C interface

PARAMETER	STANDARD MODE		FAST MODE		UNITS
	MIN	MAX	MIN	MAX	
f _{SCL} Clock frequency, SCL	0	100	0	400	kHz
t _{w(H)} Pulse duration, SCL high	4		0.6		μs
t _{w(L)} Pulse duration, SCL low	4.7		1.3		μs
t _r Rise time, SCL and SDA		1000		300	ns
t _f Fall time, SCL and SDA		300		300	ns
t _{su(1)} Setup time, SDA to SCL	250		100		ns
t _{h(1)} Hold time, SCL to SDA	0		0		ns
t(buf) Bus free time between stop and start condition	4.7		1.3		μs
t _{su(2)} Setup time, SCL to start condition	4.7		0.6		μs
t _{h(2)} Hold time, start condition to SCL	4		0.6		μs
t _{su(3)} Setup time, SCL to stop condition	4		0.6		μs

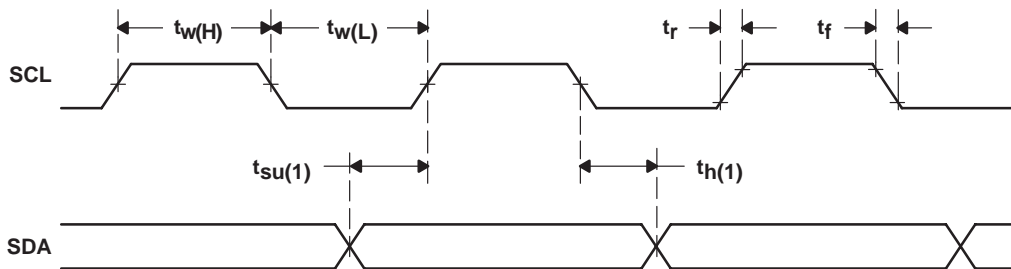


Figure 32. SCL and SDA Timing

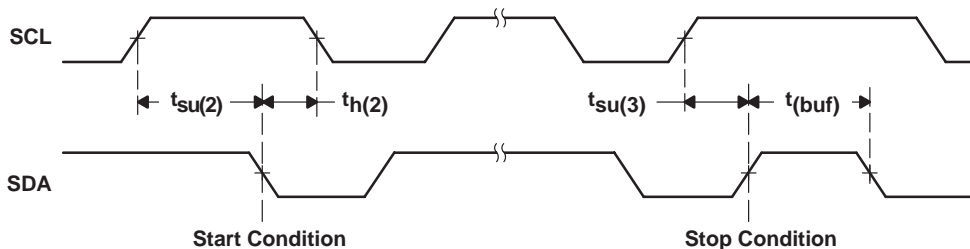


Figure 33. Start and Stop Conditions



APPLICATION INFORMATION

I²C operation specific to the TPA0172 device

The TPA0172 operates using only a multiple byte transfer protocol as shown in Figures 29 and 31. The six internal registers and the functionality of each can be found in Table 6. When writing to the device, all 6 bytes corresponding to all six registers must be sent to the device in a single multiple byte transfer. During a read cycle, the TPA0172 will send 6 bytes in a single transfer to the master device requesting the information.

Table 6. Internal Registers

REGISTER NAME	POWER-UP/RESET VALUE (b ₇ b ₆ b ₅ ...b ₀)	BIT ASSIGNMENT
Right Gain Register 1 (BTL Gain Register)	0011 1111	0–5: Gain level 6: Mute 7: Mute
Left Gain Register 1 (BTL Gain Register)	0011 1111	0–5: Gain level 6: Mute 7: Mute
Right Gain Register 2 (SE Gain Register)	0011 1111	0–5: Gain level 6: Mute 7: Mute
Left Gain Register 2 (SE Gain Register)	0011 1111	0–5: Gain level 6: Mute 7: Mute
Mask Register	1111 1111	0: Disable internal SHUTDOWN control 1: Disable internal SE/BTL control 2: Disable internal PC-BEEP control 3–6: Unused 7: Powering-up indicator (read-only)
Control Register	0000 0000	0: SHUTDOWN 1: HP/LINE 2: Reserved 3: Mute 4: Reserved 5: SE/BTL 6: Gain register select 7: PC-BEEP

TPA0172
2-W STEREO AUDIO POWER AMPLIFIER
WITH I²C BUS

SLOS327C – AUGUST 2000 – REVISED MAY 2001

APPLICATION INFORMATION

slave address

The slave address for the TPA0172 consists of 7 bits of address information along with 1 bit, the LSB, reserved for read/write information. There are eight possible addresses (including the read/write bit) for this device that can be selected with the external A1 and A0 address pins. The most significant 5 bits of the address are fixed. Table 7 lists the possible addresses for the TPA0172.

Table 7. Valid Slave Addresses

FIXED ADDRESS					SELECTABLE WITH ADDRESS PINS		READ/WRITE BIT
BIT 7 (MSB)	BIT 6	BIT 5	BIT 4	BIT 3	BIT 2 (A1)	BIT 1 (A0)	BIT 0 (R/W)
1	1	0	1	1	0	0	0
1	1	0	1	1	0	0	1
1	1	0	1	1	0	1	0
1	1	0	1	1	0	1	1
1	1	0	1	1	1	0	0
1	1	0	1	1	1	0	1
1	1	0	1	1	1	1	0
1	1	0	1	1	1	1	1

gain register operation

The gain of the TPA0172 ranges from 20 dB to –60 dB in 64 1.25-dB steps. At power-up, both the right and left channels are set at –60 dB. The truth table shown in Table 8 gives examples of valid values that may be read from or written to the four gain setting registers. Note that the amplifier is muted if either bit 7 or bit 6 is set. Furthermore, to avoid any unwanted clicks or pops, the gain settings should not be changed until the amplifier has completed the power-up sequence, which can be determined by monitoring bit 7 of the mask register. When the bit goes to 0, the power-up sequence is complete.

Table 8. Gain Settings Truth Table

GAIN (dB)	BIT 7 (MSB)	BIT 6	BIT 5	BIT 4	BIT 3	BIT 2	BIT 1	BIT 0 (LSB)
20	0	0	0	0	0	0	0	0
18.75	0	0	0	0	0	0	0	1
17.5	0	0	0	0	0	0	1	0
16.25	0	0	0	0	0	0	1	1
...
–57.5	0	0	1	1	1	1	0	1
–58.75	0	0	1	1	1	1	1	0
–60	0	0	1	1	1	1	1	1
–85 (mute)	1	1	X	X	X	X	X	X



APPLICATION INFORMATION

mask register operation

The mask register allows the user to select whether SHUTDOWN, SE/BTL, and PC-BEEP are to be controlled by the external pins or by the internal control register. Since PC-BEEP does not have an external control pin available, writing a 1 to this bit will disable all internal register control and place the PC-BEEP input in auto-detect mode. When a bit is set, the corresponding internal control register bit is masked or ignored and the external pin controls the operating mode. Conversely, when a bit is set to 0, the corresponding external pin is disabled and the internal control register bit determines the operating mode. For example, writing XXXXX010 to the register allows the control register to control the operation of the PC-BEEP input and SHUTDOWN, while allowing the external pin to control SE/BTL.

The MSB of the mask register is read-only. It is set when the TPA0172 is executing its power-up sequence and is set to 0 upon completion of the sequence and during normal operation. To avoid any unwanted clicks or pops, the gain registers should not be changed while this bit is set.

control register operation

Each bit of the control register allows the user to control the operating mode of the TPA0172, as shown in Table 9.

Table 9. Control Register Bit Assignments

BIT	FUNCTION	VALUE	RESULT
0	SHUTDOWN	0 1	Normal operation Shutdown mode
1	HP/LINE	0 1	Line inputs selected Headphone inputs selected
2	Reserved	0	
3	Mute	0 1	Normal operation Mute mode
4	Reserved	1	
5	SE/BTL	0 1	BTL mode SE mode
6	Gain register select	0 1	Use BTL gain registers Use SE gain registers
7	PC-BEEP enable	0 1	Auto-detect PC-BEEP PC-BEEP always on

Bit 0 operates in the same manner as the external SHUTDOWN pin, but the logic is active high in the internal register.

Bit 1 allows the user to select the input source. If bit 1 of the mask register is set, however, the HP/LINE function is tied to the external SE/BTL pin.

Bit 2 should always be set to 0. Reserved for future functionality.

Bit 3 performs the same mute function as setting either bit 6 or 7 in the gain registers.

Bit 4 should always be set to 1. Reserved for future functionality.

Bit 5 operates in the same manner as the external SE/BTL pin.

Bit 6 allows the user to select which gain registers will determine the gain settings for each channel. For example, the amplifier may be configured to operate in SE mode, but with the gain settings taken from the BTL registers. This function is tied to the SE/BTL pin if bit 1 of the mask register is set, which results in the SE gain registers controlling the gain in SE mode, and the BTL registers controlling the gain in BTL mode.

Bit 7 allows the user to either auto-detect a signal at the PC-BEEP input or manually override that input to always be on.

PACKAGING INFORMATION

Orderable Device	Status ⁽¹⁾	Package Type	Package Drawing	Pins	Package Qty	Eco Plan ⁽²⁾	Lead/Ball Finish	MSL Peak Temp ⁽³⁾
TPA0172PWP	ACTIVE	HTSSOP	PWP	24	60	Green (RoHS & no Sb/Br)	CU NIPDAU	Level-2-260C-1 YEAR
TPA0172PWPG4	ACTIVE	HTSSOP	PWP	24	60	Green (RoHS & no Sb/Br)	CU NIPDAU	Level-2-260C-1 YEAR
TPA0172PWPR	ACTIVE	HTSSOP	PWP	24	2000	Green (RoHS & no Sb/Br)	CU NIPDAU	Level-2-260C-1 YEAR
TPA0172PWPRG4	ACTIVE	HTSSOP	PWP	24	2000	Green (RoHS & no Sb/Br)	CU NIPDAU	Level-2-260C-1 YEAR

⁽¹⁾ The marketing status values are defined as follows:

ACTIVE: Product device recommended for new designs.

LIFEBUY: TI has announced that the device will be discontinued, and a lifetime-buy period is in effect.

NRND: Not recommended for new designs. Device is in production to support existing customers, but TI does not recommend using this part in a new design.

PREVIEW: Device has been announced but is not in production. Samples may or may not be available.

OBSOLETE: TI has discontinued the production of the device.

⁽²⁾ Eco Plan - The planned eco-friendly classification: Pb-Free (RoHS), Pb-Free (RoHS Exempt), or Green (RoHS & no Sb/Br) - please check <http://www.ti.com/productcontent> for the latest availability information and additional product content details.

TBD: The Pb-Free/Green conversion plan has not been defined.

Pb-Free (RoHS): TI's terms "Lead-Free" or "Pb-Free" mean semiconductor products that are compatible with the current RoHS requirements for all 6 substances, including the requirement that lead not exceed 0.1% by weight in homogeneous materials. Where designed to be soldered at high temperatures, TI Pb-Free products are suitable for use in specified lead-free processes.

Pb-Free (RoHS Exempt): This component has a RoHS exemption for either 1) lead-based flip-chip solder bumps used between the die and package, or 2) lead-based die adhesive used between the die and leadframe. The component is otherwise considered Pb-Free (RoHS compatible) as defined above.

Green (RoHS & no Sb/Br): TI defines "Green" to mean Pb-Free (RoHS compatible), and free of Bromine (Br) and Antimony (Sb) based flame retardants (Br or Sb do not exceed 0.1% by weight in homogeneous material)

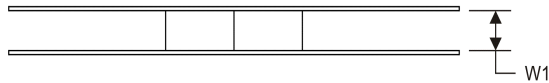
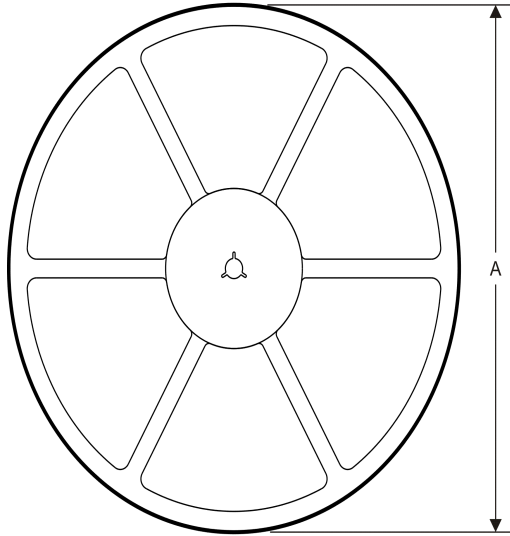
⁽³⁾ MSL, Peak Temp. -- The Moisture Sensitivity Level rating according to the JEDEC industry standard classifications, and peak solder temperature.

Important Information and Disclaimer:The information provided on this page represents TI's knowledge and belief as of the date that it is provided. TI bases its knowledge and belief on information provided by third parties, and makes no representation or warranty as to the accuracy of such information. Efforts are underway to better integrate information from third parties. TI has taken and continues to take reasonable steps to provide representative and accurate information but may not have conducted destructive testing or chemical analysis on incoming materials and chemicals. TI and TI suppliers consider certain information to be proprietary, and thus CAS numbers and other limited information may not be available for release.

In no event shall TI's liability arising out of such information exceed the total purchase price of the TI part(s) at issue in this document sold by TI to Customer on an annual basis.

TAPE AND REEL INFORMATION

REEL DIMENSIONS



TAPE DIMENSIONS



A0	Dimension designed to accommodate the component width
B0	Dimension designed to accommodate the component length
K0	Dimension designed to accommodate the component thickness
W	Overall width of the carrier tape
P1	Pitch between successive cavity centers

TAPE AND REEL INFORMATION

*All dimensions are nominal

Device	Package Type	Package Drawing	Pins	SPQ	Reel Diameter (mm)	Reel Width W1 (mm)	A0 (mm)	B0 (mm)	K0 (mm)	P1 (mm)	W (mm)	Pin1 Quadrant
TPA0172PWPR	HTSSOP	PWP	24	2000	330.0	16.4	6.95	8.3	1.6	8.0	16.0	Q1

TAPE AND REEL BOX DIMENSIONS



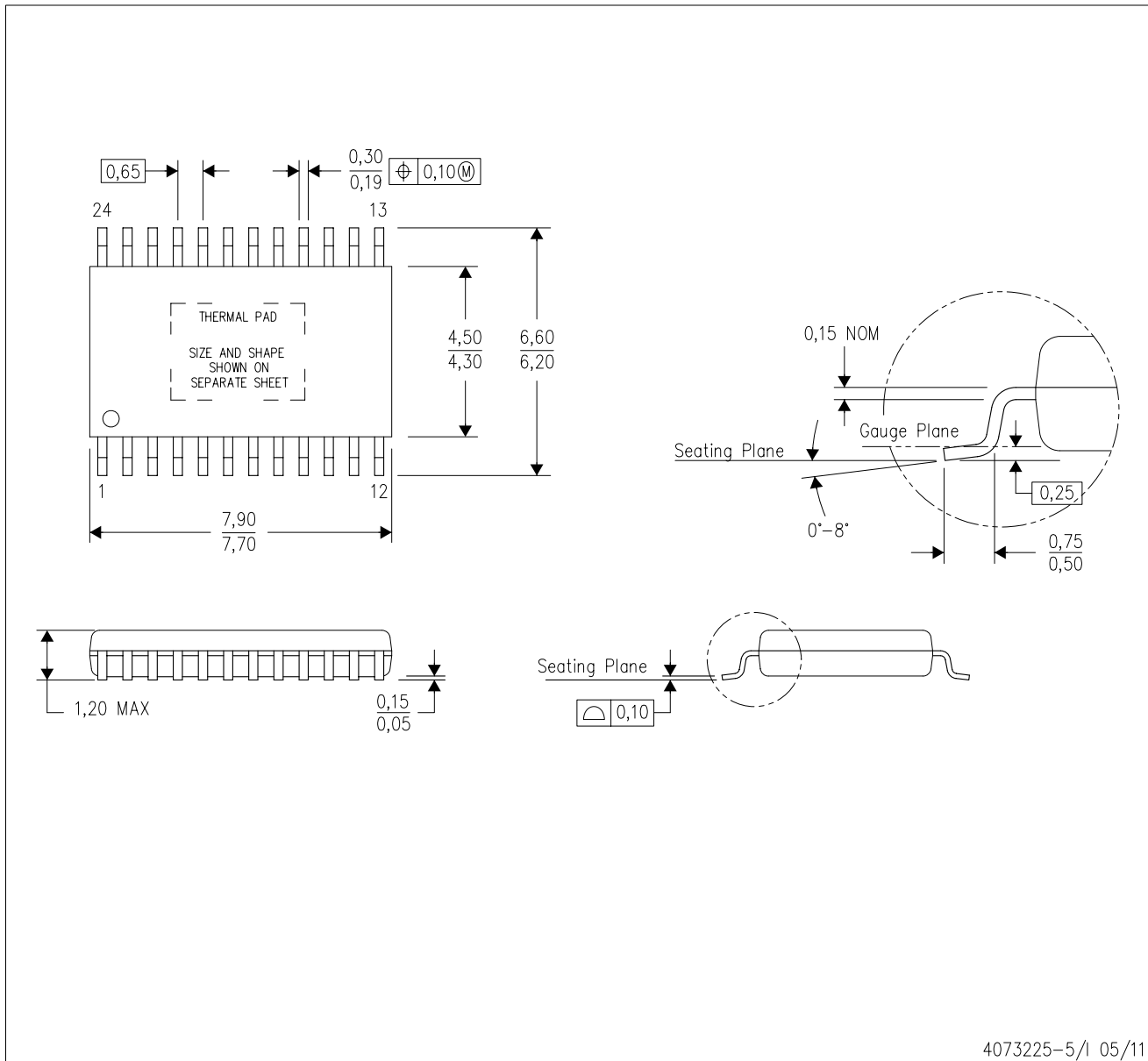
*All dimensions are nominal

Device	Package Type	Package Drawing	Pins	SPQ	Length (mm)	Width (mm)	Height (mm)
TPA0172PWPR	HTSSOP	PWP	24	2000	367.0	367.0	38.0

MECHANICAL DATA

PWP (R-PDSO-G24)

PowerPAD™ PLASTIC SMALL OUTLINE



4073225-5/1 05/11

- NOTES:
- All linear dimensions are in millimeters.
 - This drawing is subject to change without notice.
 - Body dimensions do not include mold flash or protrusions. Mold flash and protrusion shall not exceed 0.15 per side.
 - This package is designed to be soldered to a thermal pad on the board. Refer to Technical Brief, PowerPad Thermally Enhanced Package, Texas Instruments Literature No. SLMA002 for information regarding recommended board layout. This document is available at www.ti.com <<http://www.ti.com>>.
 - See the additional figure in the Product Data Sheet for details regarding the exposed thermal pad features and dimensions.
 - Falls within JEDEC MO-153

PowerPAD is a trademark of Texas Instruments.

THERMAL PAD MECHANICAL DATA

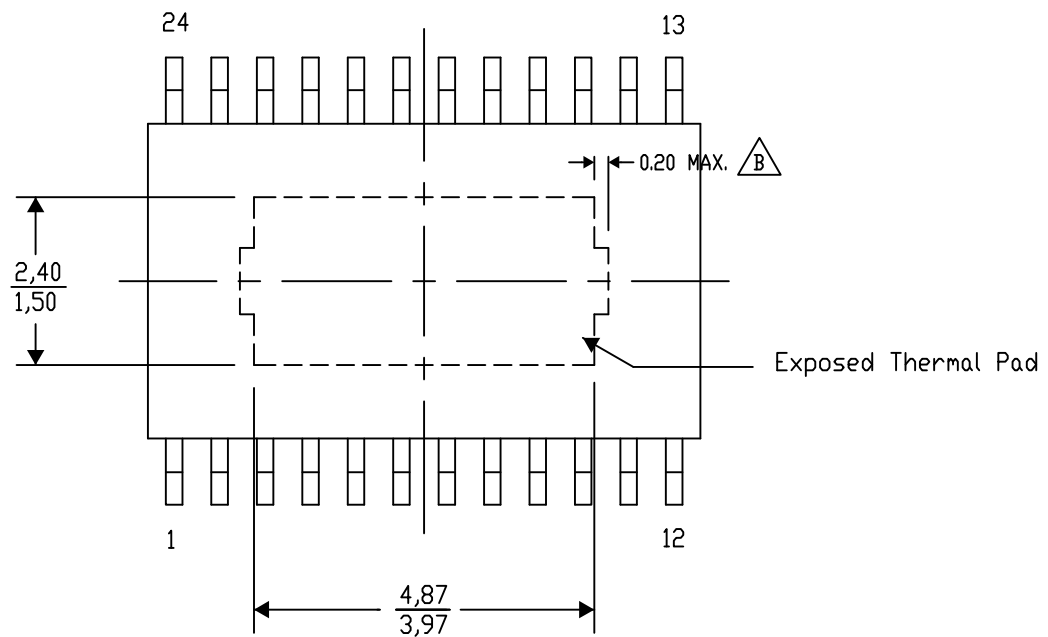
PWP (R-PDSO-G24) PowerPAD™ SMALL PLASTIC OUTLINE

THERMAL INFORMATION

This PowerPAD™ package incorporates an exposed thermal pad that is designed to be attached to a printed circuit board (PCB). The thermal pad must be soldered directly to the PCB. After soldering, the PCB can be used as a heatsink. In addition, through the use of thermal vias, the thermal pad can be attached directly to the appropriate copper plane shown in the electrical schematic for the device, or alternatively, can be attached to a special heatsink structure designed into the PCB. This design optimizes the heat transfer from the integrated circuit (IC).


For additional information on the PowerPAD package and how to take advantage of its heat dissipating abilities, refer to Technical Brief, PowerPAD Thermally Enhanced Package, Texas Instruments Literature No. SLMA002 and Application Brief, PowerPAD Made Easy, Texas Instruments Literature No. SLMA004. Both documents are available at www.ti.com.

The exposed thermal pad dimensions for this package are shown in the following illustration.



4206332-29/AC 07/12

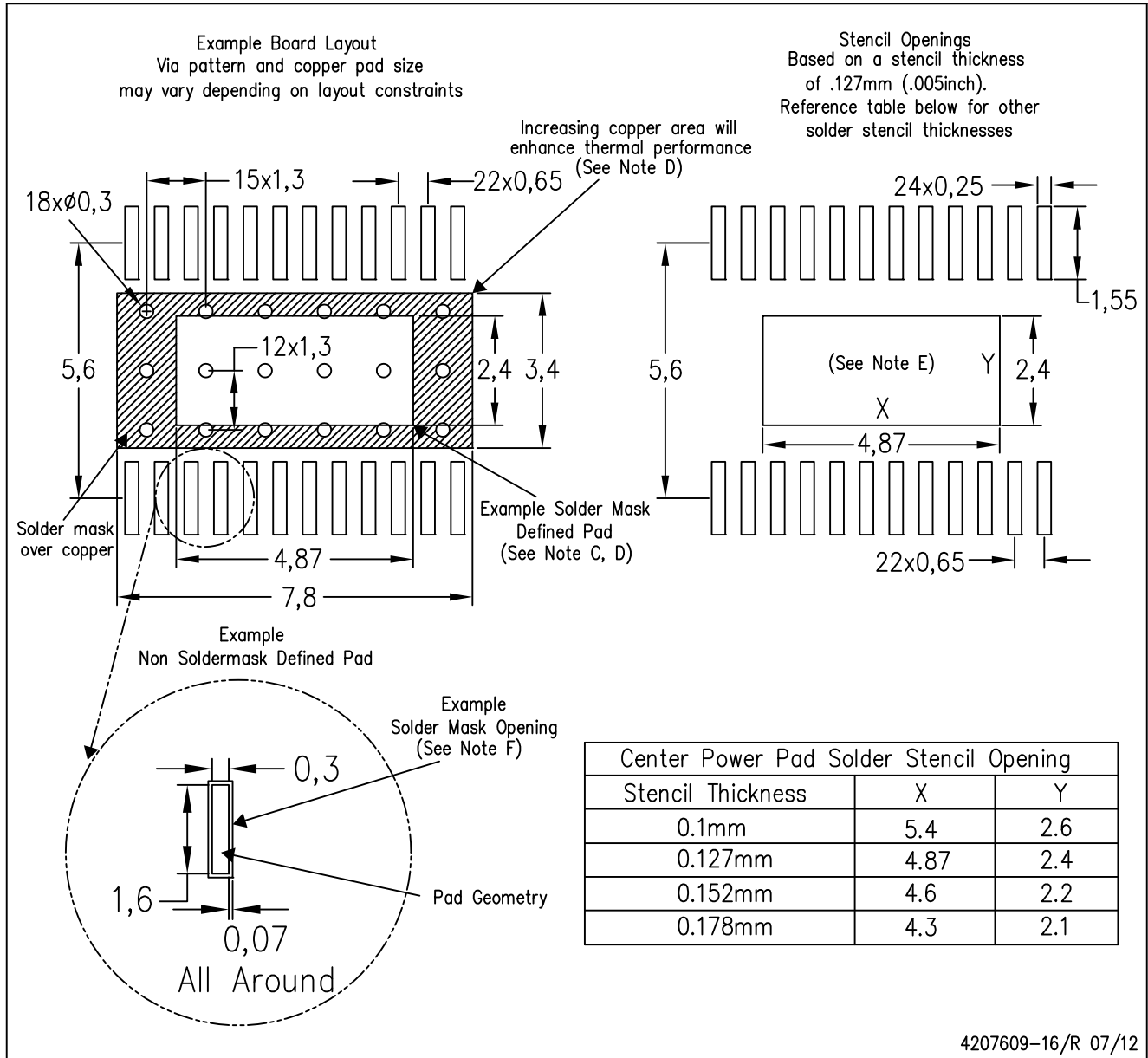
NOTE: A. All linear dimensions are in millimeters

 B. Exposed tie strap features may not be present.

PowerPAD is a trademark of Texas Instruments

PWP (R-PDSO-G24)

PowerPAD™ PLASTIC SMALL OUTLINE



- NOTES:
- A. All linear dimensions are in millimeters.
 - B. This drawing is subject to change without notice.
 - C. Customers should place a note on the circuit board fabrication drawing not to alter the center solder mask defined pad.
 - D. This package is designed to be soldered to a thermal pad on the board. Refer to Technical Brief, PowerPad Thermally Enhanced Package, Texas Instruments Literature No. SLMA002, SLMA004, and also the Product Data Sheets for specific thermal information, via requirements, and recommended board layout. These documents are available at www.ti.com <<http://www.ti.com>>. Publication IPC-7351 is recommended for alternate designs.
 - E. Laser cutting apertures with trapezoidal walls and also rounding corners will offer better paste release. Customers should contact their board assembly site for stencil design recommendations. Example stencil design based on a 50% volumetric metal load solder paste. Refer to IPC-7525 for other stencil recommendations.
 - F. Customers should contact their board fabrication site for solder mask tolerances between and around signal pads.

IMPORTANT NOTICE

Texas Instruments Incorporated and its subsidiaries (TI) reserve the right to make corrections, enhancements, improvements and other changes to its semiconductor products and services per JESD46C and to discontinue any product or service per JESD48B. Buyers should obtain the latest relevant information before placing orders and should verify that such information is current and complete. All semiconductor products (also referred to herein as "components") are sold subject to TI's terms and conditions of sale supplied at the time of order acknowledgment.

TI warrants performance of its components to the specifications applicable at the time of sale, in accordance with the warranty in TI's terms and conditions of sale of semiconductor products. Testing and other quality control techniques are used to the extent TI deems necessary to support this warranty. Except where mandated by applicable law, testing of all parameters of each component is not necessarily performed.

TI assumes no liability for applications assistance or the design of Buyers' products. Buyers are responsible for their products and applications using TI components. To minimize the risks associated with Buyers' products and applications, Buyers should provide adequate design and operating safeguards.

TI does not warrant or represent that any license, either express or implied, is granted under any patent right, copyright, mask work right, or other intellectual property right relating to any combination, machine, or process in which TI components or services are used. Information published by TI regarding third-party products or services does not constitute a license to use such products or services or a warranty or endorsement thereof. Use of such information may require a license from a third party under the patents or other intellectual property of the third party, or a license from TI under the patents or other intellectual property of TI.

Reproduction of significant portions of TI information in TI data books or data sheets is permissible only if reproduction is without alteration and is accompanied by all associated warranties, conditions, limitations, and notices. TI is not responsible or liable for such altered documentation. Information of third parties may be subject to additional restrictions.

Resale of TI components or services with statements different from or beyond the parameters stated by TI for that component or service voids all express and any implied warranties for the associated TI component or service and is an unfair and deceptive business practice. TI is not responsible or liable for any such statements.

Buyer acknowledges and agrees that it is solely responsible for compliance with all legal, regulatory and safety-related requirements concerning its products, and any use of TI components in its applications, notwithstanding any applications-related information or support that may be provided by TI. Buyer represents and agrees that it has all the necessary expertise to create and implement safeguards which anticipate dangerous consequences of failures, monitor failures and their consequences, lessen the likelihood of failures that might cause harm and take appropriate remedial actions. Buyer will fully indemnify TI and its representatives against any damages arising out of the use of any TI components in safety-critical applications.

In some cases, TI components may be promoted specifically to facilitate safety-related applications. With such components, TI's goal is to help enable customers to design and create their own end-product solutions that meet applicable functional safety standards and requirements. Nonetheless, such components are subject to these terms.

No TI components are authorized for use in FDA Class III (or similar life-critical medical equipment) unless authorized officers of the parties have executed a special agreement specifically governing such use.

Only those TI components which TI has specifically designated as military grade or "enhanced plastic" are designed and intended for use in military/aerospace applications or environments. Buyer acknowledges and agrees that any military or aerospace use of TI components which have **not** been so designated is solely at the Buyer's risk, and that Buyer is solely responsible for compliance with all legal and regulatory requirements in connection with such use.

TI has specifically designated certain components which meet ISO/TS16949 requirements, mainly for automotive use. Components which have not been so designated are neither designed nor intended for automotive use; and TI will not be responsible for any failure of such components to meet such requirements.

Products

Audio	www.ti.com/audio
Amplifiers	amplifier.ti.com
Data Converters	dataconverter.ti.com
DLP® Products	www.dlp.com
DSP	dsp.ti.com
Clocks and Timers	www.ti.com/clocks
Interface	interface.ti.com
Logic	logic.ti.com
Power Mgmt	power.ti.com
Microcontrollers	microcontroller.ti.com
RFID	www.ti-rfid.com
OMAP Mobile Processors	www.ti.com/omap
Wireless Connectivity	www.ti.com/wirelessconnectivity

Applications

Automotive and Transportation	www.ti.com/automotive
Communications and Telecom	www.ti.com/communications
Computers and Peripherals	www.ti.com/computers
Consumer Electronics	www.ti.com/consumer-apps
Energy and Lighting	www.ti.com/energy
Industrial	www.ti.com/industrial
Medical	www.ti.com/medical
Security	www.ti.com/security
Space, Avionics and Defense	www.ti.com/space-avionics-defense
Video and Imaging	www.ti.com/video

TI E2E Community e2e.ti.com