

## N+1 and ORing Power Rail Controller with Enable

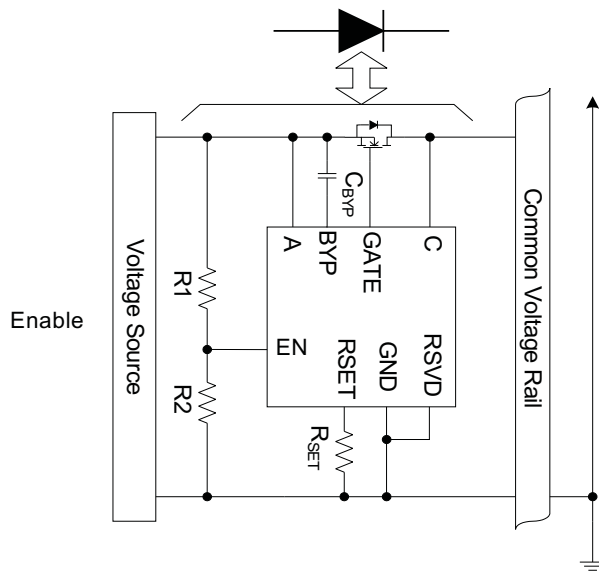
Check for Samples: [TPS2419](#)

### FEATURES

- Control External FET for N+1 and ORing
- Controls Buses From 3 V to 16.5 V
- External Enable
- N-Channel MOSFET Control
- Rapid Device Turnoff Protects Bus Integrity
- Programmable Turn-Off Threshold
- Soft Turn on Reduces Bus Transients
- Industrial Temperature Range: –40°C to 85°C
- 8-Pin TSSOP and SOIC Packages

### APPLICATIONS

- N+1 Power Supplies
- Server Blades
- Telecom Systems
- High Availability Power Modules


**Figure 1. Typical Application**

### DESCRIPTION

The TPS2419 controller, in conjunction with an external N-channel MOSFET, provides the reverse current protection of an ORing diode with the efficiency of a MOSFET. The TPS2419 can be used to combine multiple power supplies to a common bus in an N+1 configuration, or to combine redundant input power buses.

Applications for the TPS2419 include a wide range of systems including servers and telecom. These applications often have either N+1 redundant power supplies, redundant power buses, or both. Redundant power sources must have the equivalent of a diode OR to prevent reverse current during faults and hotplug.

Accurate voltage sensing and a programmable turn-off threshold allows operation to be tailored for a wide range of implementations and bus characteristics. The TPS2419 brings out an enable pin which allows the system to force the MOSFET off under light-load, high noise conditions.

**Table 1. Family Features**

	'2410	'2411	'2412	'2413	'2419
Enable input	√	√			√
Linear gate control	√		√		
ON/OFF gate control		√		√	√
Turnoff comparator filtering	√	√			
Voltage monitoring	√	√			
MOSFET fault monitoring	√	√			
Status pin	√	√			
Independent Supply Pin	√	√	√	√	



Please be aware that an important notice concerning availability, standard warranty, and use in critical applications of Texas Instruments semiconductor products and disclaimers thereto appears at the end of this data sheet.



This integrated circuit can be damaged by ESD. Texas Instruments recommends that all integrated circuits be handled with appropriate precautions. Failure to observe proper handling and installation procedures can cause damage.

ESD damage can range from subtle performance degradation to complete device failure. Precision integrated circuits may be more susceptible to damage because very small parametric changes could cause the device not to meet its published specifications.

### PRODUCT INFORMATION<sup>(1)</sup>

DEVICE	TEMPERATURE	PACKAGE <sup>(1)</sup>	MOSFET GATE CONTROL	MARKING
TPS2419	–40°C to 85°C	PW (TSSOP-8)	ON/OFF	TPS2419
		D (SO-8)		

- (1) For package and ordering information, see the Package Option Addendum at the end of this document, or see the TI Web site at [www.ti.com](http://www.ti.com).

### ABSOLUTE MAXIMUM RATINGS<sup>(1)</sup>

over recommended operating junction temperature range, voltages are referenced to GND (unless otherwise noted)

		VALUE	UNIT
A, C voltage		–0.3 to 18	V
A above C voltage		7.5	V
C above A voltage		18	V
GATE, BYP voltage <sup>(2)</sup>		–0.3 to 30	V
BYP to A voltage		–0.3 to 13	V
GATE above BYP voltage		0.3	V
RSET <sup>(2)</sup> voltage		–0.3 to 7	V
EN		–0.3 to 5.5	V
GATE short to A or C or GND		Indefinite	
ESD	Human body model	2	kV
	Charged device model	500	V
T <sub>J</sub>	Maximum junction temperature	Internally limited	°C

- (1) Stresses beyond those listed under *absolute maximum ratings* may cause permanent damage to the device. These are stress ratings only and functional operation of the device at these or any other conditions beyond those indicated under *recommended operating conditions* is not implied. Exposure to absolute-maximum-rated conditions for extended periods may affect device reliability.
- (2) Voltage should not be applied to these pins.

### DISSIPATION RATINGS

PACKAGE	$\theta_{JA}$ – Low k °C/W	$\theta_{JA}$ – High k °C/W	POWER RATING High k T <sub>A</sub> = 85°C (mW)
PW (TSSOP)	258	159	250
D (SO)	176	97.5	410

## RECOMMENDED OPERATING CONDITIONS

voltages are referenced to GND (unless otherwise noted)

		MIN	NOM	MAX	UNIT
A, C	Input voltage range <sup>(1)</sup>	0		16.5	V
A to C	Operational voltage			5	V
EN	Input voltage range	0		5	V
R <sub>(RSET)</sub>	Resistance range <sup>(2)</sup>	1.5		∞	kΩ
C <sub>(BYP)</sub>	Capacitance Range <sup>(2)</sup>	800	2200	10k	pF
T <sub>J</sub>	Operating junction temperature	-40		125	°C

 (1) V<sub>(C)</sub> must exceed 2.5 V for normal operation and 3 V to meet gate drive specification

(2) Voltage should not be applied to these pins.

## ELECTRICAL CHARACTERISTICS<sup>(1)</sup>

 Common conditions (unless otherwise noted) are: [3 V ≤ (V<sub>(A)</sub>, V<sub>(C)</sub>) ≤ 18 V], C<sub>(BYP)</sub> = 2200 pF, R<sub>(RSET)</sub> = open, EN = 2 V, GATE = open, -40°C ≤ T<sub>J</sub> ≤ 125°C, positive currents into pins, typical values are at 25°C, all voltages with respect to GND.

PARAMETER	TEST CONDITIONS	MIN	TYP	MAX	UNIT
<b>A, C</b>					
Supply UVLO	V <sub>(C)</sub> rising	2.25		2.5	V
	Hysteresis		0.25		
A current	I <sub>(A)</sub>  , Gate in active region		0.66	1	mA
	I <sub>(A)</sub>  , Gate saturated high		0.1		
C current	Worst case, gate in active region, V <sub>(AC)</sub> ≤ 0.1 V		4.25	6	mA
	Gate saturated high, V <sub>(AC)</sub> ≤ 0.1 V		1.2		
<b>EN</b>					
Threshold voltage	V <sub>(EN)</sub> rising	1.25	1.3	1.35	V
Hysteresis			29		mV
Response time	V <sub>(AC)</sub> = 0.1 V, V <sub>(EN)</sub> ↑: 1.1 V → 1.4 V, measure period to V <sub>(GATE)</sub> = 0.25 V		0.65	1	μs
	V <sub>(AC)</sub> = 0.1 V, V <sub>(EN)</sub> ↓: 1.4 V → 1.1 V, measure period to V <sub>(GATE)</sub> = V <sub>(ON)</sub> - 0.25 V		0.3	0.6	
Leakage current (source or sink)	V <sub>(EN)</sub> = 0.5 V			1	μA
<b>TURN ON</b>					
Forward turn-on voltage - V <sub>ON</sub>	V <sub>(A-C)</sub>	58	65	71	mV
<b>TURN OFF</b>					
Turn-off threshold voltage	Gate sinks > 10 mA at V <sub>(GATE-A)</sub> = 2 V				mV
	V <sub>(A-C)</sub> falling, R <sub>(RSET)</sub> = open	1	3	5	
	V <sub>(A-C)</sub> falling, R <sub>(RSET)</sub> = 28.7 kΩ	-17	-13.25	-10	
	V <sub>(A-C)</sub> falling, R <sub>(RSET)</sub> = 3.24 kΩ	-170	-142	-114	
Turn-off delay	V <sub>(A)</sub> = 12 V, V <sub>(A-C)</sub> : 20 mV → -20 mV, V <sub>(GATE-A)</sub> begins to decrease		70		ns
Turn-off time	V <sub>(A)</sub> = 12 V, C <sub>(GATE-GND)</sub> = 0.01 μF, V <sub>(A-C)</sub> : 20 mV → -20 mV, measure the period to V <sub>(GATE)</sub> = V <sub>(A)</sub>		130		ns

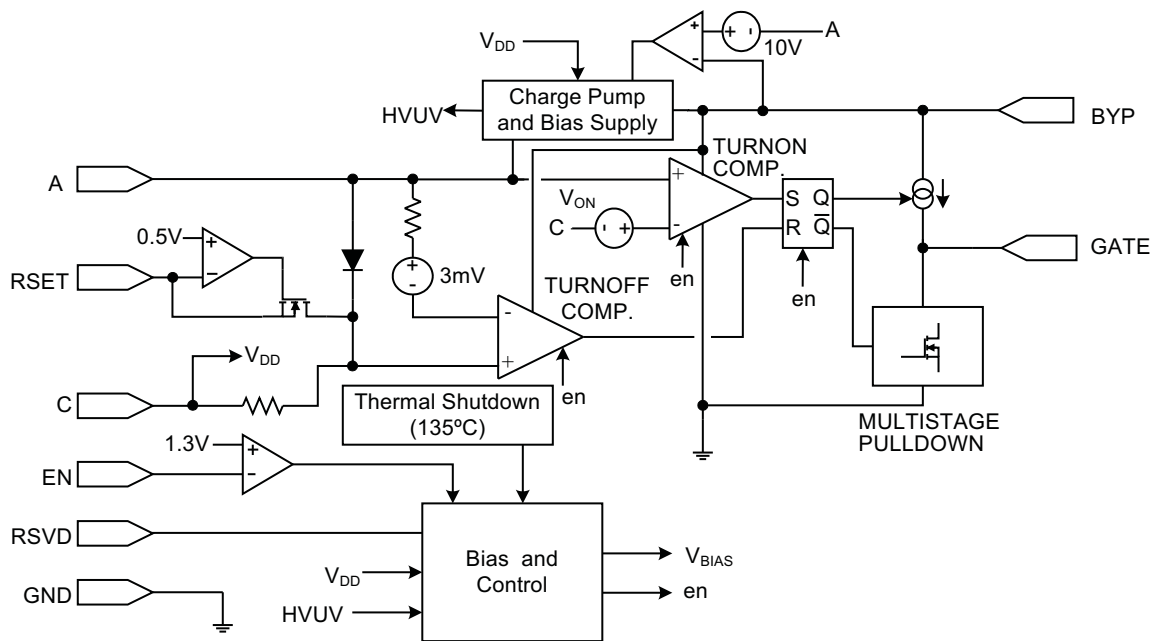
(1) Parameters with only typical values are provided for reference only, and do not constitute part of TI's published device specifications for purposes of TI's product warranty.

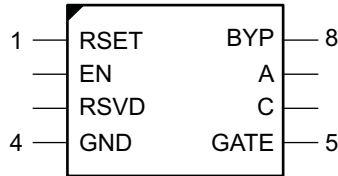
**ELECTRICAL CHARACTERISTICS <sup>(1)</sup> (continued)**

Common conditions (unless otherwise noted) are:  $[3\text{ V} \leq (V_{(A)}, V_{(C)}) \leq 18\text{ V}]$ ,  $C_{(BYP)} = 2200\text{ pF}$ ,  $R_{(RSET)} = \text{open}$ ,  $EN = 2\text{ V}$ ,  $GATE = \text{open}$ ,  $-40^\circ\text{C} \leq T_J \leq 125^\circ\text{C}$ , positive currents into pins, typical values are at  $25^\circ\text{C}$ , all voltages with respect to GND.

PARAMETER	TEST CONDITIONS	MIN	TYP	MAX	UNIT
<b>GATE</b>					
Gate positive drive voltage, $V_{(GATE-A)}$	$V_{(C)} = 3\text{ V}$ , $V_{(A-C)} = 200\text{ mV}$	6	7	8	V
	$5\text{ V} \leq V_C \leq 18\text{ V}$ , $V_{(A-C)} = 200\text{ mV}$	9	10.2	11.5	
Gate source current	$V_{(A-C)} = 200\text{ mV}$ , $V_{(GATE-A)} = 4\text{ V}$	250	290	350	$\mu\text{A}$
Turn-off pulsed current, $I_{(GATE)}$	$V_{(A-C)} = -0.1\text{ V}$	1.75	2.35	7.5	12.5
	$V_{(GATE)} = 8\text{ V}$				
	$V_{(GATE)} = 5\text{ V}$				
	Period	$\mu\text{s}$			
Sustain turn-off current, $I_{(GATE)}$	$V_{(A-C)} = -0.1\text{ V}$ , $3\text{ V} \leq V_C \leq 18\text{ V}$ , $2\text{ V} \leq V_{(GATE)} \leq 18\text{ V}$	15	19.5		mA
<b>MISCELLANEOUS</b>					
Thermal shutdown temperature	Temperature rising, $T_J$		135		$^\circ\text{C}$
Thermal hysteresis			10		$^\circ\text{C}$

**FUNCTIONAL BLOCK DIAGRAM**



**PW and D PACKAGE  
(TOP VIEW)**

**TERMINAL FUNCTIONS**

TERMINAL		I/O	DESCRIPTION
NAME	NO.		
RSET	1	I	Connect a resistor to ground to program the turn-off threshold. Leaving RSET open results in a slightly positive $V_{(A-C)}$ turn-off threshold.
EN	2	I	Pull EN above 1.3 V to permit normal ORing operation. A low on EN holds GATE low.
RSVD	3	PWR	This pin must be connected to GND.
GND	4	PWR	Device ground.
GATE	5	O	Connect to the gate of the external MOSFET. Controls the MOSFET to emulate a low forward-voltage diode.
C	6	I	Voltage sense input that connects to the simulated diode cathode, and also serves as the bias supply for the gate drive charge pump and internal controls. Connect to the MOSFET drain in the typical configuration.
A	7	I	Voltage sense input that connects to the simulated diode anode, and also serves as the reference for the charge-pump bias supply on BYP. Connect to the MOSFET source in the typical configuration.
BYP	8	I/O	Connect a capacitor from BYP to A to filter the gate drive supply voltage.

## DETAILED DESCRIPTION

The following descriptions refer to the pinout and the functional block diagram.

**A, C:** The A pin serves as the simulated diode anode and the C as the cathode. GATE is driven high when  $V_{(A-C)}$  exceeds 65 mV. A strong GATE pull-down is applied when  $V_{(A-C)}$  is less than the programmable turn-off threshold (see RSET). These two thresholds serve as a hysteretic GATE control with the ON/OFF state preserved until the next (opposite) threshold cross.

The internal charge pump output, which provides bias power to the comparators and voltage to drive GATE, is referenced to A. Some charge pump current appears on A.

C is both the cathode voltage sense and the bias supply for the gate-drive charge pump and other internal circuits. This pin must be connected a source that is 3 V or greater when the external MOSFET is to be turned on.

A 0.01- $\mu$ F minimum bypass capacitor to GND is recommended for both A and C inputs. A and C connections to the bypass capacitor and the controlled MOSFET should be short and low impedance.

The inputs are protected from excess differential voltage by a clamp diode and series resistance. If C falls below A by more than about 0.7 V, a small current flows out of C. Configurations which permit C to be more than 6 V lower than A should be avoided.

**BYP:** BYP is the internal charge pump output, and the positive supply voltage for internal comparator circuits and GATE driver. A capacitor must be connected from BYP to A. While the capacitor value is not critical, a 2200-pF ceramic is recommended. Traces to this part must be kept short and low impedance to provide adequate filtering. Shorting this pin to a voltage below A damages the TPS2419.

**EN:** A voltage greater than 1.3 V on EN permits the TPS2419 to operate in its normal ORing mode. A voltage below the lower threshold forces GATE to remain low, however EN going high will not automatically turn GATE ON. EN going low when GATE is high engages the sustain current pulldown. EN should not be driven higher than its recommended maximum voltage.

**GATE:** Gate controls the external N channel MOSFET gate. GATE is driven positive with respect to A by a driver operating from the voltage on BYP. A time-limited high current discharge source pulls GATE to GND when the turn-off comparator is activated. The high-current discharge is followed by a sustaining pull-down. The turn-off circuits are disabled by the thermal shutdown, leaving a resistive pull-down to keep the gate from floating. The gate connection should be kept low impedance to maximize turn-off current.

**GND:** This is the input supply reference. GND should have a low impedance connection to the ground plane. It carries several Amperes of rapid-rising discharge current when the external MOSFET is turned off, and also carries significant charge pump currents.

**RSET:** A resistor connected from this pin to GND sets the  $V_{(A-C)}$  turn-off comparator threshold. The threshold is slightly positive when the RSET pin is left open. Current drawn by the resistor programs the turn-off voltage to increasing negative values. The TPS2419 must have a negative threshold programmed to avoid an unstable condition at light load. The expression for  $R_{(RSET)}$  in terms of the turn-off voltage ( $V_{(OFF)} = V_{(A)} - V_{(C)}$ ) follows.

$$R_{(RSET)} = \left( \frac{-470.02}{V_{(OFF)} - 0.00314} \right) \quad (1)$$

The units of the numerator are ( $V \times V/A$ ).  $V_{(OFF)}$  is positive for  $V_{(A)}$  greater than  $V_{(C)}$ ,  $V_{(OFF)}$  is less than 3 mV, and  $R_{(RSET)}$  is in ohms.

**RSVD:** Connect to ground.

TYPICAL CHARACTERISTICS

TURN-OFF THRESHOLD  
vs  
TEMPERATURE

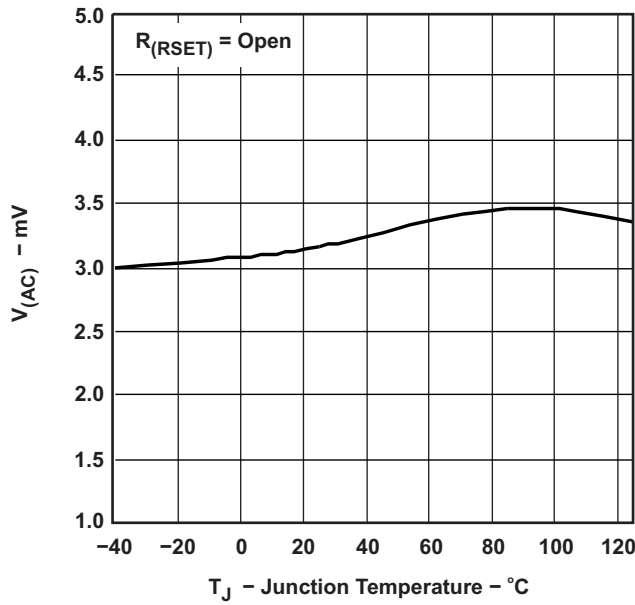


Figure 2.

PULSED GATE SINKING CURRENT  
vs  
GATE VOLTAGE

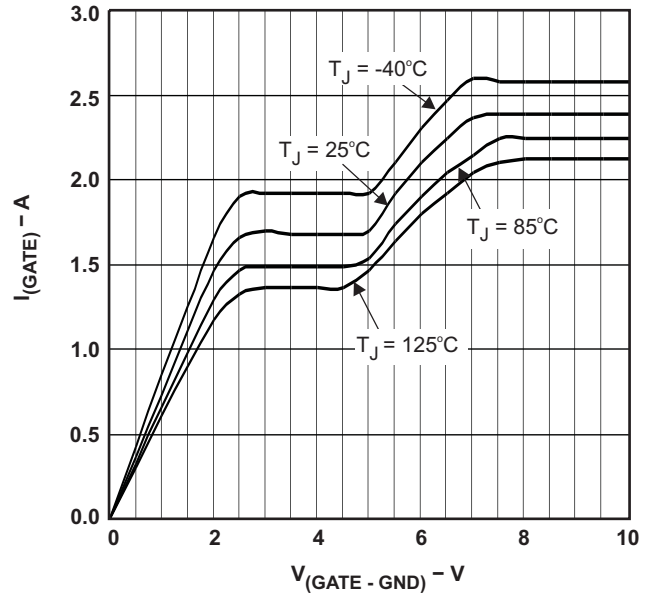


Figure 3.

TURN-ON DELAY  
vs  
V(C)  
(POWER APPLIED UNTIL GATE IS ACTIVE)

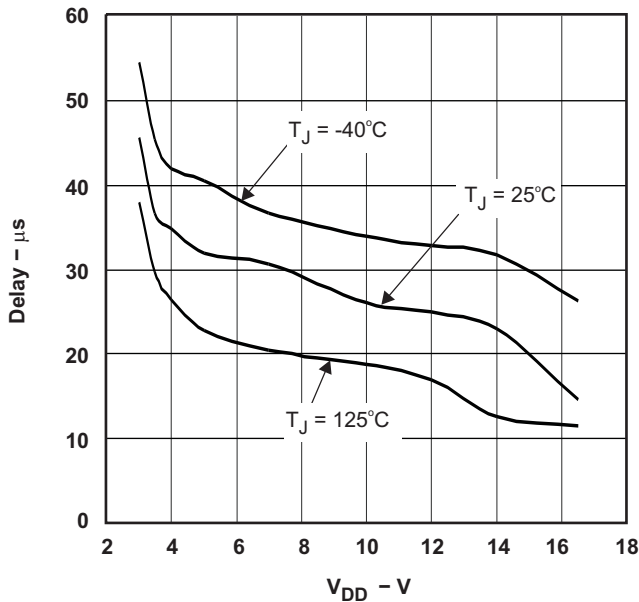


Figure 4.

I(C)  
vs  
V(C)  
(GATE SATURATED HIGH)

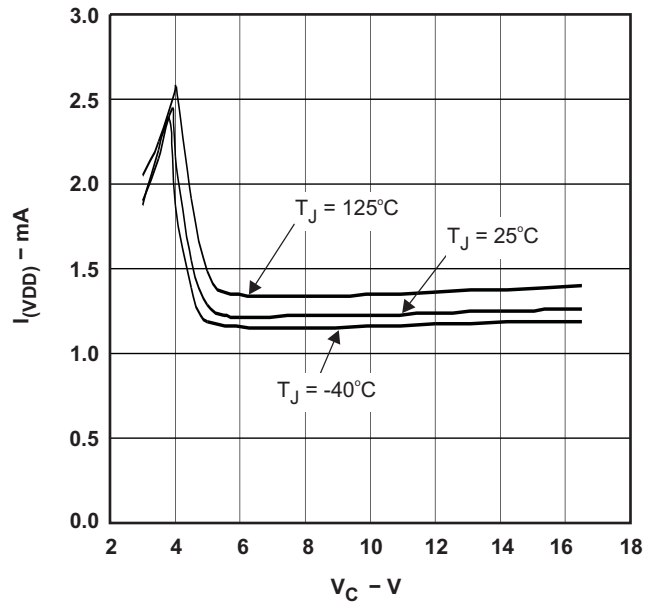


Figure 5.

TYPICAL CHARACTERISTICS (continued)

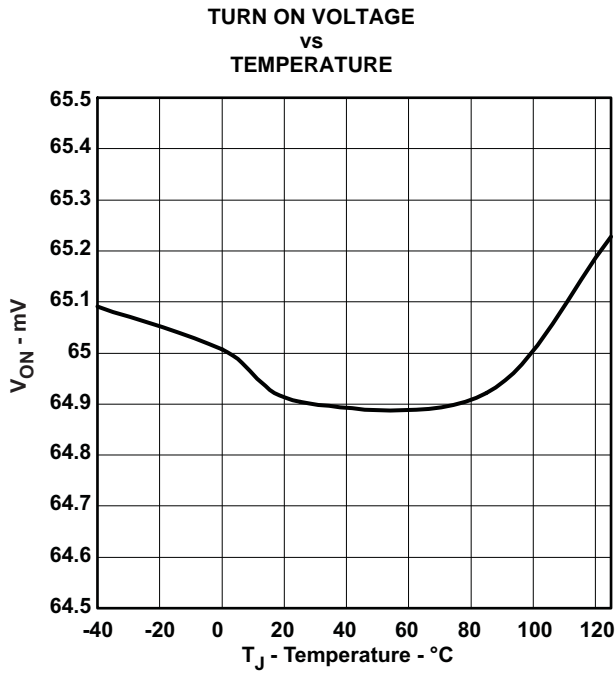


Figure 6.

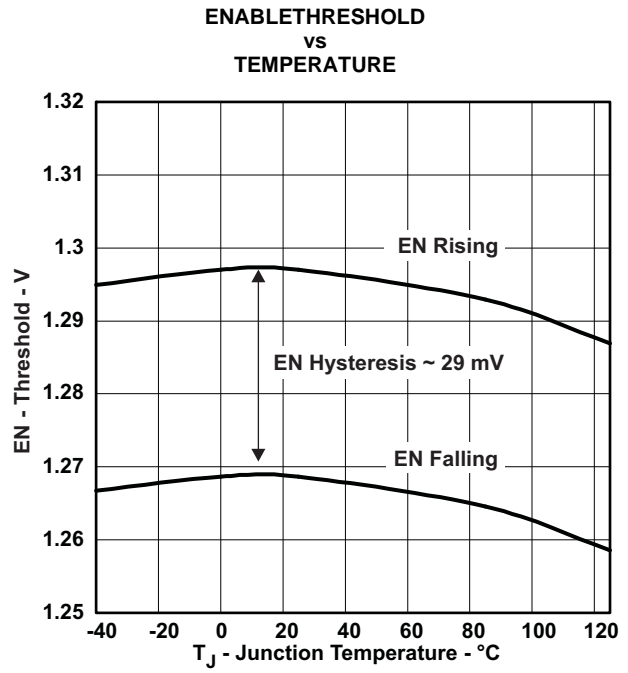


Figure 7.

EXAMPLE TURNON AND TURNOFF

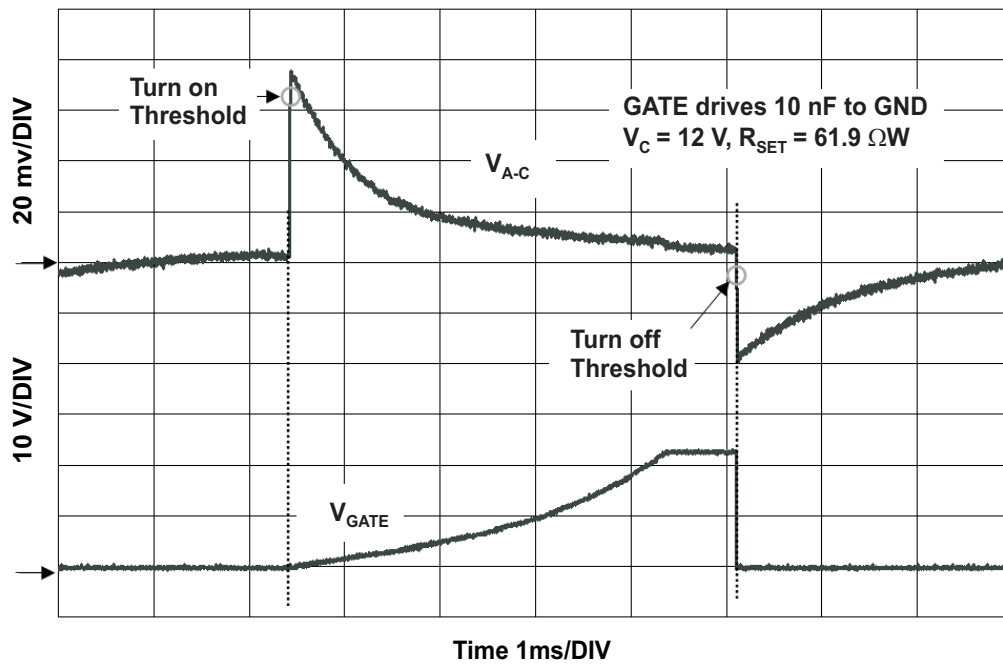


Figure 8.



TYPICAL CHARACTERISTICS (continued)

EXAMPLE TURNOFF

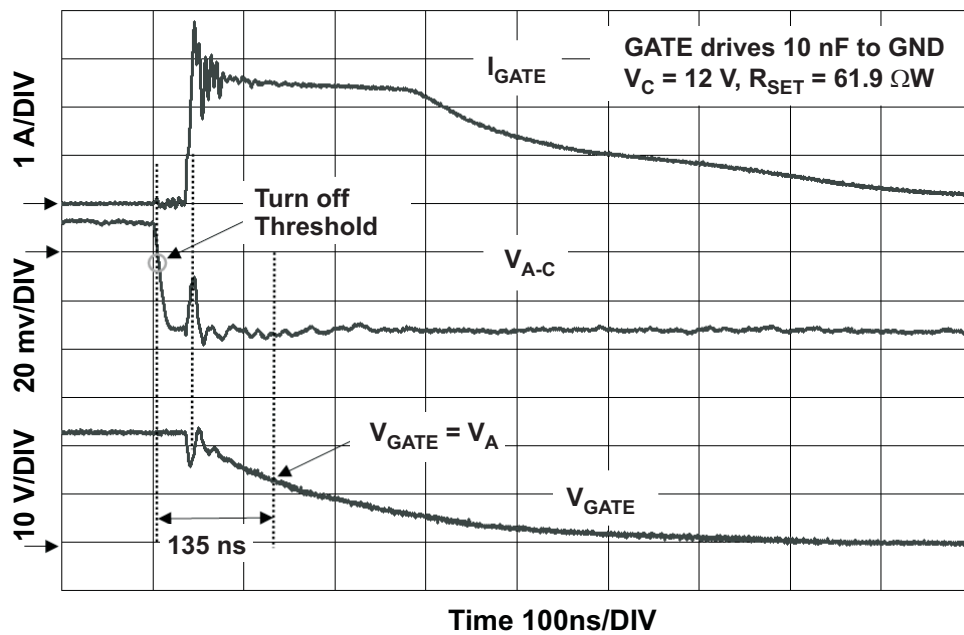


Figure 9.

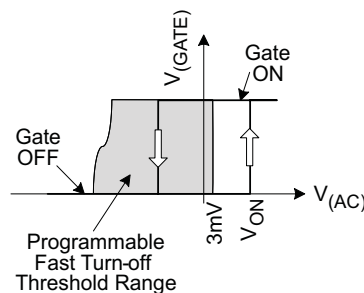
## APPLICATION INFORMATION

### OVERVIEW

The TPS2419 is designed to allow an output ORing in N+1 power supply applications (see [Figure 11](#)), and an input-power bus ORing in redundant source applications (see [Figure 12](#)). The TPS2419 and external MOSFET emulate a discrete diode to perform this unidirectional power combining function. The advantage to this emulation is lower forward voltage drop and higher efficiency.

The TPS2419 turns the MOSFET on and off like a comparator with hysteresis as shown in [Figure 10](#). GATE is driven high when  $V_{(A-C)}$  exceeds 65 mV, and driven low if  $V_{(A-C)}$  falls below the RSET programmed turn-off threshold. Operation of the TPS2419 is demonstrated in [Figure 8](#) where an ac-coupled square wave is applied from A to C. [Figure 8](#) shows the condition where the MOSFET gate is initially at GND, and  $V_{(A-C)}$  is less than 65 mV. When the turn-on threshold is exceeded, the TPS2419 turns on the MOSFET gate, and charges it to  $V_{(BYP)}$ . The gate stays high even though  $V_{(A-C)}$  is less than the turn-on threshold. The TPS2419 pulls the gate to GND when  $V_{(A-C)}$  falls below the turn-off threshold.

System designs should account for the inherent delay between a TPS2419 circuit becoming forward biased, and the MOSFET actually turning ON. The delay is the result of the MOSFET gate capacitance charge from ground to its threshold voltage by the 290  $\mu\text{A}$  gate current. If there are no additional sources holding a common ORed rail voltage up, the MOSFET internal diode will conduct and maintain voltage on the ORed output. The ORed input supply will experience a momentary large current draw as the MOSFET turns on, shorting the internal diode and charging the bus capacitance.



**Figure 10. TPS2419 Operation**

The operation of the TPS2419 is summarized in [Table 2](#).

**Table 2. Operation as a Function of  $V_{(AC)}$**

	$V_{(A-C)} \leq \text{Turnoff Threshold}^{(1)}$	$\text{Turnoff Threshold}^{(1)} \leq V_{(A-C)} \leq 65 \text{ mV}$	$V_{(A-C)} > 65 \text{ mV}$
TPS2419	Gate pulled to GND	Depends on previous state <sup>(1)</sup> (Hysteresis region)	GATE pulled high (ON)

(1) Turnoff threshold is established by the value of RSET.

### N+1 POWER SUPPLY – TYPICAL CONNECTION

The N+1 power supply configuration shown in [Figure 11](#) is used where multiple power supplies are paralleled for either higher capacity, redundancy or both. If it takes N supplies to power the load, adding an extra identical unit in parallel permits the load to continue operation in the event that any one of the N supplies fails. The supplies are ORed together, rather than directly connected to the bus, to isolate the converter output from the bus when it is plugged-in or fails short. Thus, the TPS2419 with an external MOSFET emulates the function of the ORing diode.

ORed supplies are usually designed to share power by various means, although the desired operation could implement an active and standby concept. Sharing approaches include both passive, or voltage droop, and active methods. Not all of the output ORing devices may be ON depending on the sharing control method, bus loading, distribution resistances, and tolerances.

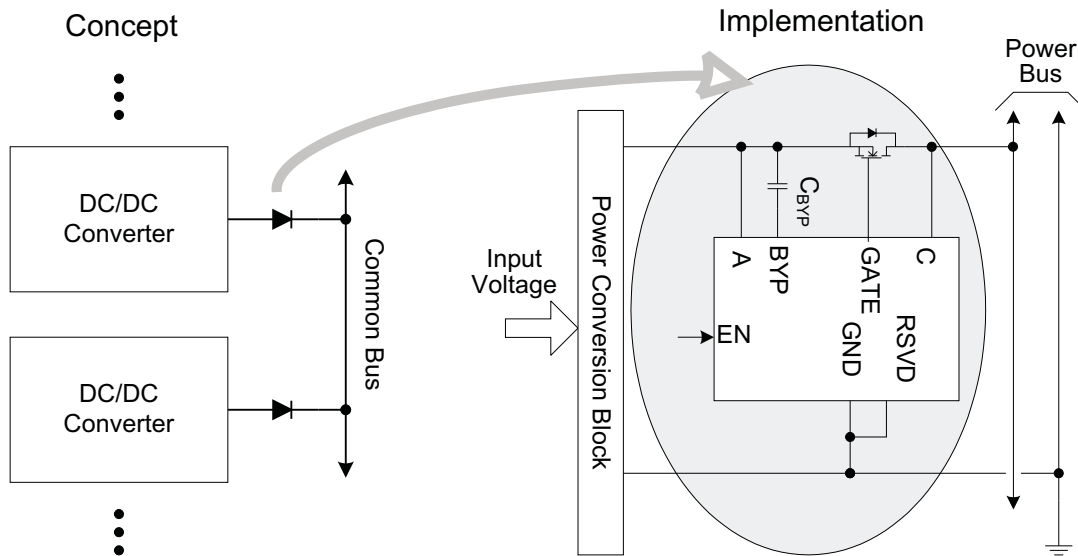


Figure 11. N+1 Power Supply Example

**INPUT ORing – TYPICAL CONNECTION**

Figure 12 shows how redundant buses may be ORed to a common point to achieve higher reliability. It is possible to have both MOSFETs ON at once if the bus voltages are matched, or the combination of tolerance and regulation causes both TPS2419 circuits to see a forward voltage. The ORing MOSFET will disconnect the lower-voltage bus, protecting the remaining bus from potential overload by a fault.

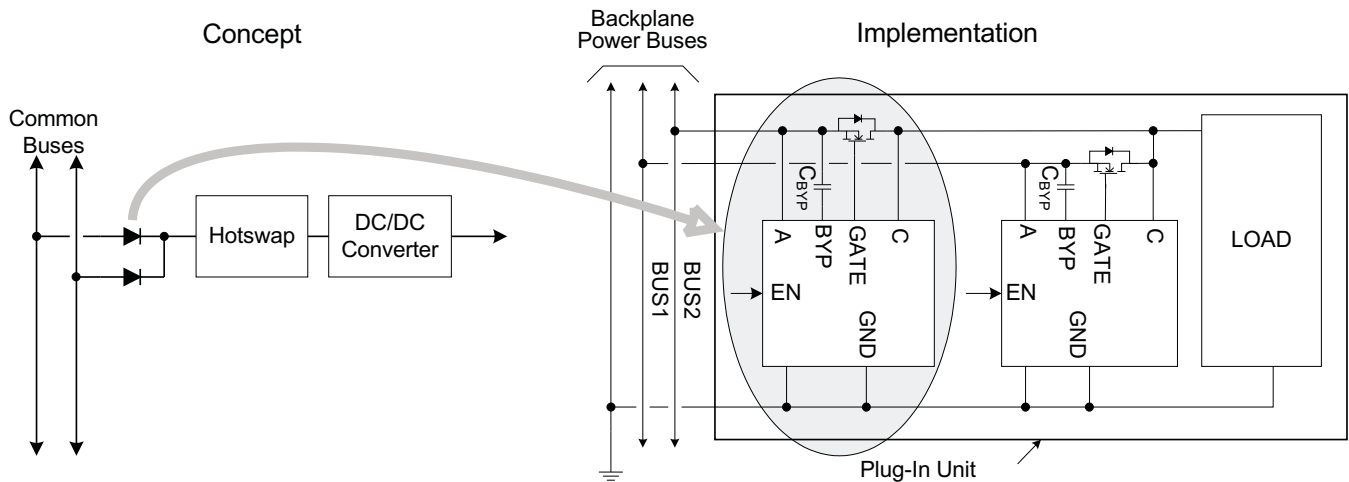


Figure 12. Example ORing of Input Power Buses

## SYSTEM DESIGN AND NOISE ISSUES

In noisy system environments, the low impedance of a MOSFET coupled with a default positive turn off threshold voltage might result in unwanted ON/OFF GATE cycling. Ideally the best way to approach the problem is with a clean layout and noise free system design. Since design constraints limit the ability to improve this, the following suggestions can be employed with the TPS2419.

- Set the turn off threshold negative using the RSET pin. This is required to operate at light load, but does permit reverse current.
- If current monitoring is used in the system, take advantage of the shunt resistor and connect the A and C pins across the shunt and FET. This increases the sense resistance, reducing noise sensitivity by increasing the signal levels while reducing the permitted reverse current.
- Disable the device using EN under light load conditions.

## RECOMMENDED OPERATING RANGE

The maximum recommended bus voltage is lower than the absolute maximum voltage ratings on A and C, solely to provide some margin for transients on the bus. The TPS2419 will operate properly up to the absolute maximum voltage ratings on A and C.

Most power systems experience transient voltages above or below the normal operating level. Short transients, or voltage spikes, may be clamped by the ORing MOSFET to an output capacitor and/or voltage rail depending on the system design. Protection may be required on the input or output if the system design does not inherently limit transient voltages between the TPS2419 absolute maximum ratings (positive or negative).

Protection for positive transients that would exceed the absolute maximum limits may be accomplished with a TVS diode (transient voltage suppressor) clamp to ground, or a diode clamp to a safe voltage rail. If a TVS is required, it must protect to the absolute maximum ratings at the worst case clamping current. Protection for negative transients that would drive pins (e.g. C) below the absolute maximum limits may be accomplished with a diode clamp to ground. Limit transient current in or out of the TPS2419 to less than 50 mA. Transients can also be controlled by bus capacitance or composite snubber/clamps such as a zener-blocked large capacitor with a discharge resistor in parallel.

## MOSFET SELECTION AND $R_{(RSET)}$

MOSFET selection criteria include voltage rating, voltage drop, power dissipation, size, and cost. The voltage rating consists of both the ability to withstand the rail voltage with expected transients, and the gate breakdown voltage. The MOSFET gate rating should exceed be the maximum of the controlled rail voltage or 11.5 V.

While  $r_{DS(on)}$  is often chosen with the power dissipation, voltage drop, size and cost in mind, there are several other factors to be concerned with in ORing applications. When using a TPS2419 with RSET programmed to a negative voltage, the permitted static reverse current is equal to the turn-off threshold divided by the MOSFET's  $r_{DS(on)}$ . While this current may actually be desirable in some systems, the amount may be controlled by selection of  $r_{DS(on)}$  and RSET. The practical range of  $r_{DS(on)}$  for a single MOSFET runs from the low milliohms to 40 mΩ for a single MOSFET.

MOSFETs may be paralleled for lower voltage drop (power loss) at high current. Current sharing depends on the resistance match including both the  $r_{DS(on)}$ , connection resistance, and thermal coupling.

The TPS2419 may only be operated without an RSET programming resistor if the loading provides a  $V_{(A-C)}$  greater than 3 mV. A negative turnoff threshold reduces sensitivity to false tripping due to noise on the bus, but permits larger static reverse current. Installing a resistor from RSET to ground creates a negative shift in the turn-off threshold per [Equation 2](#).

$$R_{(RSET)} = \left( \frac{-470.02}{V_{(OFF)} - 0.00314} \right) \quad (2)$$

To obtain a -10 mV turnoff ( $V_{(A)}$  is less than  $V_{(C)}$  by 10 mV),  $R_{(RSET)} = (-470.02 / (-0.01 - 0.00314)) \approx 35.7 \text{ k}\Omega$ . If a  $10 \text{ m}\Omega$   $r_{DS(on)}$  MOSFET was used, the reverse turnoff current would be calculated as follows.

$$I_{(TURN\_OFF)} = \frac{V_{(THRESHOLD)}}{r_{DS(on)}}$$

$$I_{(TURN\_OFF)} = \frac{-10 \text{ mV}}{10 \text{ m}\Omega}$$

$$I_{(TURN\_OFF)} = -1 \text{ A} \tag{3}$$

The sign indicates that the current is reverse, or flows from the MOSFET drain to source (C to A).

The turn-off speed of a MOSFET is influenced by the effective gate-source and gate-drain capacitance  $C_{ISS}$ . Since these capacitances vary a great deal between different vendor parts and technologies, they should be considered when selecting a MOSFET where the fastest turn-off is desired.

### GATE DRIVE, CHARGE PUMP AND $C_{(BYP)}$

Gate drive of 290  $\mu\text{A}$  typical is generated by an internal charge pump and current limiter. Make sure to use low impedance traces and good bypass on A and C to avoid having the large charge pump currents interfere with voltage sensing. The GATE drive voltage is referenced to  $V_{(A)}$  as GATE will only be driven high when  $V_{(A)} > V_{(C)}$ . The capacitor on BYP (bypass) must be used in order to form a quiet supply for the internal high-speed comparator.

### Gate Drive Resistance and Output Transients

The strong gate (pulsed) pull-down current can turn the ORing MOSFET(s) off in the 100 - 200 ns time frame. While this serves to rapidly stop the reverse current buildup, it has a side effect of inducing a voltage transient on the input bus, the output bus, and ground. One transient source is the GATE turn-off current itself, which excites parasitic L-C tank circuits. A second transient source is the energy stored in power bus inductance driving a voltage surge and ringing as reverse MOSFET current is interrupted. Both of these effects can be reduced by limiting the GATE discharge current with a series resistor in the 10  $\Omega$  to 200  $\Omega$  range. This both reduces the peak discharge current, and slows the MOSFET turnoff, reducing the di/dt. A careful tradeoff of peak reverse current and the effects of the voltage transient may be required.

An example of turnoff speed with and without GATE resistance is illustrated by the circuit of Figure 13. Figure 14 and Figure 15 show GATE, the MOSFET gate, and  $V_{C-ac}$  for similar turnoff transients and gate resistors of 0  $\Omega$  and 51  $\Omega$ . A substantial reduction in noise is shown for a difference of 90ns in actual current termination. These techniques may be used in conjunction with clamping and snubbing techniques discussed in RECOMMENDED OPERATING RANGE. Figure 13 also demonstrates the filtering discussed in the next section.

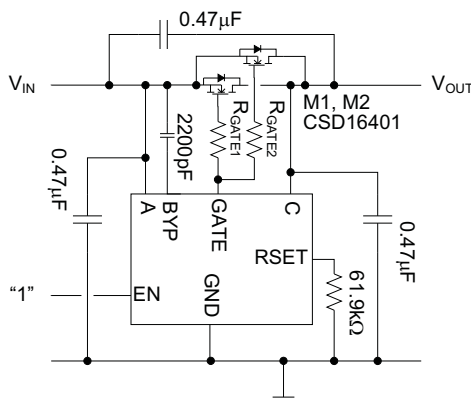


Figure 13. Circuit for Gate Resistor Waveforms

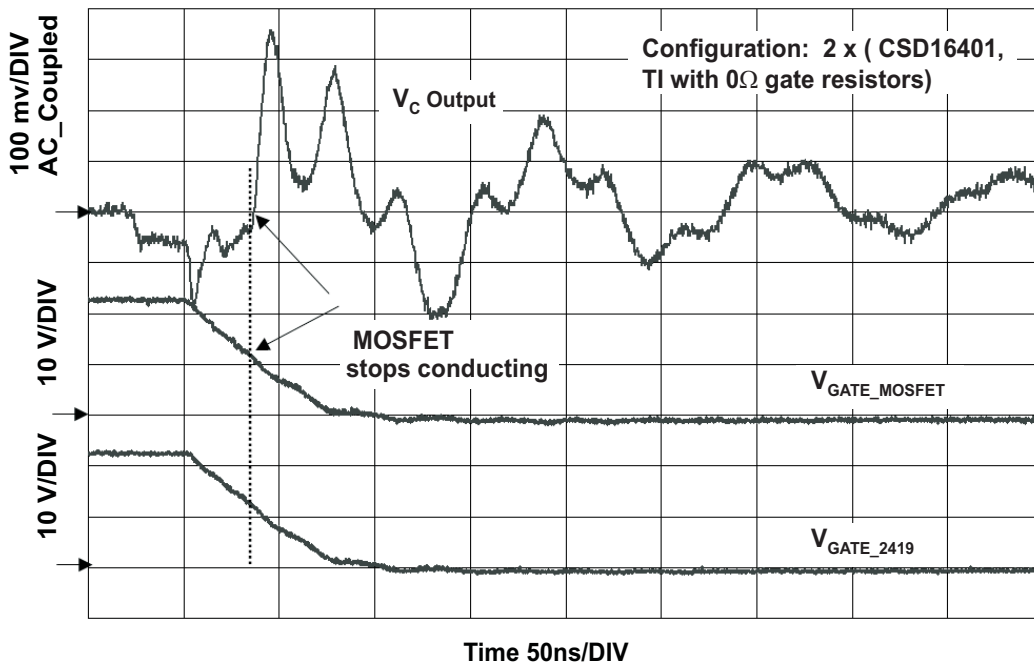


Figure 14. Gate Turnoff Waveforms with R<sub>GATE</sub> = 0Ω

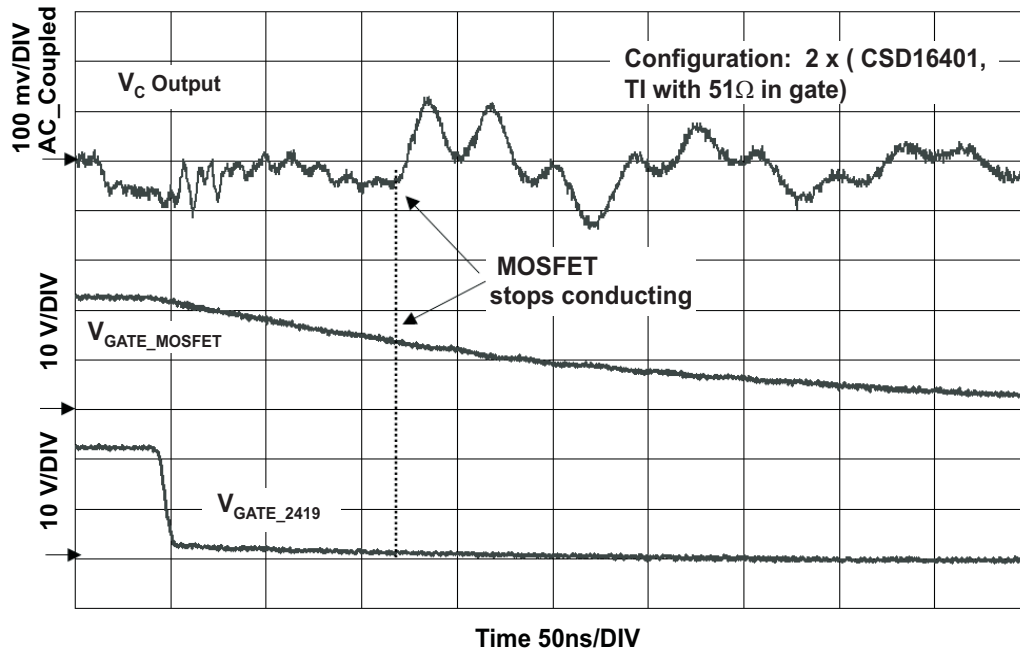


Figure 15. Gate Turnoff Waveforms with R<sub>GATE</sub> = 51Ω

## Input Filtering

Voltage transients, converter switching noise and ripple, and ringing due to current interruptions can potentially cause undesired on-off cycling, especially at very light loads. This includes voltage gradients (especially at MHz frequencies) across the ground plane effecting the apparent  $V_{(A)}$  and  $V_{(C)}$ . The effects of these unwanted signals can be reduced by providing input filtering as shown in Figure 16 and Figure 13. There are two potential problems that the filter might have to help with, 1) internally generated switching noise, and 2) fast ringing transients caused by nearby power system events. Case 2 (in Figure 16) filtering is better at suppressing internal switching noise and Case 1 is better for large bus transients in the megahertz range. The "Z" element in CASE 1 is a high-impedance ferrite bead with low resistance to limit the dc voltage error. The L-C filter limits the apparent  $V_{(A)}$  voltage swings during high-speed transients. The L-C in series with A also causes a phase delay in sensed steady-state switching noise, creating an apparent additional  $V_{(AC)}$ .

The filter capacitors should be located close to the TPS2419's GND pin and be connected to GND by a solid plane. The A-C capacitor should be located directly across the TPS2419 pins. These values were empirically chosen in a particular test setup and may have to be tuned for different systems.

The waveform of Figure 17 shows turnon in the presence of 135 mVpp ripple by the circuit of Figure 13. The ORing circuit was loaded with 10 k $\Omega$  parallel to 0.1  $\mu$ F, and had only a -4.5 mV turnoff threshold. This condition is often difficult to turn on into due to the  $V_{(A-C)}$  difference that occurs when the MOSFET diode peak charges the output. The output voltage was monitored with the oscilloscope probe ac-coupled, causing visual artifacts due to the probe settling time. The increase in output ripple is evident as the dynamic impedance of the MOSFET diode is shorted by the channel resistance.

Selection of the A and C sense points can also play a role in limiting unwanted turnoff events. Sensing voltages at bus bypass capacitors may benefit operation by limiting the apparent switching and transient noise.

The TPS2419 uses C as both a voltage sense and power pin. Placing resistance in this lead will cause a reduction in  $V_{(C)}$  due to  $I \times R$  voltage drop, changing the apparent turnon and turnoff thresholds.

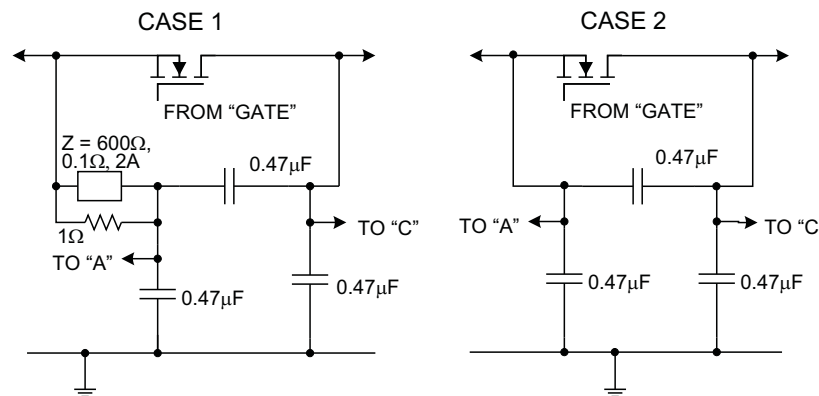


Figure 16. Input Filtering Configurations

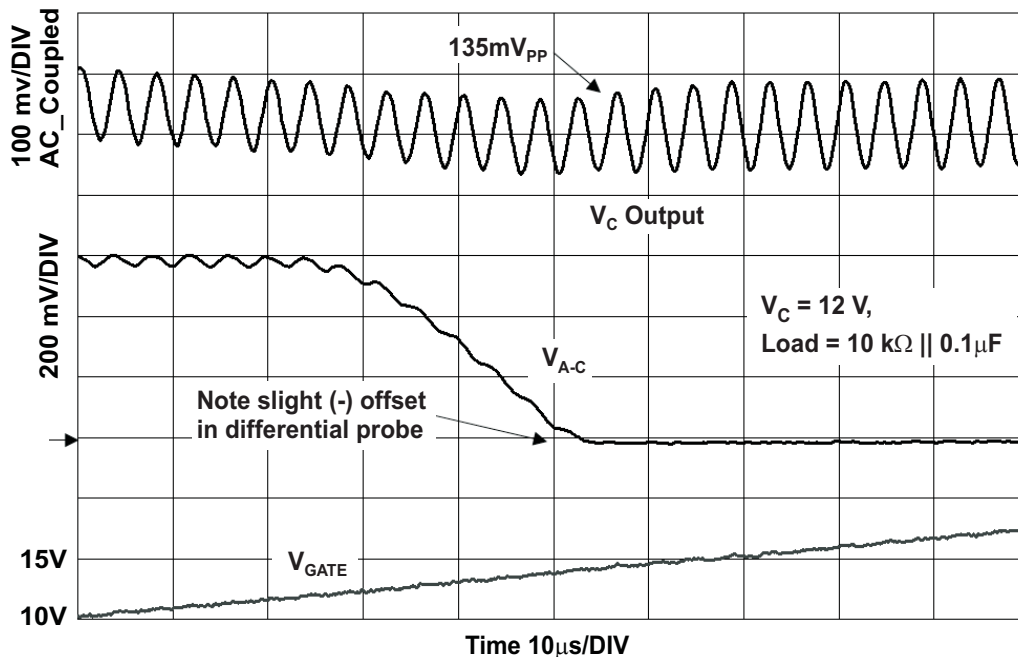


Figure 17. Turnon with Noisy Power Rail

## SUMMARIZED DESIGN PROCEDURE

The following is a summarized design procedure:

1. Noise voltage and impedance at the A and C pins should be kept low. A minimum 0.01  $\mu\text{F}$  or more may be required.
2. Select  $C_{\text{BYP}}$  as 2200 pF, X7R, 25-V or 50-V ceramic capacitor.
3. Select the MOSFET based on considerations of voltage drop, power dissipated, voltage ratings, and gate capacitance. See sections: MOSFET Selection and RSET.
4. Select  $R_{\text{(RSET)}}$  based on which MOSFET was chosen and reverse current considerations – see MOSFET Selection and RSET.
5. Make sure to connect RSVD to ground

## Layout Considerations

1. The TPS2419, MOSFET, and associated components should be used over a ground plane.
2. The GND connection should be short and wide, with multiple vias to ground.
3. A and C bypass capacitors should be adjacent to the pins with a minimal ground connection length to the plane.
4. The GATE connection should be short and wide (e.g., 0.025" minimum).
5. Route the A and C sense lines away from noisy sources, and avoid large ground bounce between the MOSFET and TPS2419.
6.  $R_{\text{(SET)}}$  should be kept immediately adjacent to the TPS2419 with short leads.
7.  $C_{\text{(BYP)}}$  should be kept immediately adjacent to the TPS2419 with short leads.



## REVISION HISTORY

Changes from Original (February 2010) to Revision A	Page
• Changed the data sheet From: Preview To: Production Data .....	1
• Changed the Overview section - paragraph 2 From: MOSFET gate is initially low, and $V_{(AC)}$ is less than 64 mV. To: MOSFET gate is initially at GND, and $V_{(A-C)}$ is less than 65 mV. ....	10
• Changed the Overview section - paragraph 2, From: The TPS2419 turns on the MOSFET gate, and charges it to $V_{(BYP)}$ once the turn-on threshold is exceeded. To: When the turn-on threshold is exceeded, the TPS2419 turns on the MOSFET gate, and charges it to $V_{(BYP)}$ .....	10
• Changed the Overview section - paragraph 3 From: The ORed input supply will experience a momentary large load as the MOSFET turns on, shorting the internal diode and charging the bus capacitance. To: The ORed input supply will experience a momentary large current draw as the MOSFET turns on, shorting the internal diode and charging the bus capacitance. ....	10
• Changed the RECOMMENDED OPERATING RANGE section, paragraph 1 From: The TPS2419 will operate properly up to the absolute maximum voltage ratings on A, C, and $V_{DD}$ . To: The TPS2419 will operate properly up to the absolute maximum voltage ratings on A and C. ....	12

**PACKAGING INFORMATION**

Orderable Device	Status <sup>(1)</sup>	Package Type	Package Drawing	Pins	Package Qty	Eco Plan <sup>(2)</sup>	Lead/Ball Finish	MSL Peak Temp <sup>(3)</sup>
TPS2419D	ACTIVE	SOIC	D	8	75	Green (RoHS & no Sb/Br)	CU NIPDAU	Level-1-260C-UNLIM
TPS2419DR	ACTIVE	SOIC	D	8	2500	Green (RoHS & no Sb/Br)	CU NIPDAU	Level-1-260C-UNLIM
TPS2419PW	ACTIVE	TSSOP	PW	8	150	Green (RoHS & no Sb/Br)	CU NIPDAU	Level-1-260C-UNLIM
TPS2419PWR	ACTIVE	TSSOP	PW	8	2000	Green (RoHS & no Sb/Br)	CU NIPDAU	Level-1-260C-UNLIM

<sup>(1)</sup> The marketing status values are defined as follows:

**ACTIVE:** Product device recommended for new designs.

**LIFEBUY:** TI has announced that the device will be discontinued, and a lifetime-buy period is in effect.

**NRND:** Not recommended for new designs. Device is in production to support existing customers, but TI does not recommend using this part in a new design.

**PREVIEW:** Device has been announced but is not in production. Samples may or may not be available.

**OBsolete:** TI has discontinued the production of the device.

<sup>(2)</sup> Eco Plan - The planned eco-friendly classification: Pb-Free (RoHS), Pb-Free (RoHS Exempt), or Green (RoHS & no Sb/Br) - please check <http://www.ti.com/productcontent> for the latest availability information and additional product content details.

**TBD:** The Pb-Free/Green conversion plan has not been defined.

**Pb-Free (RoHS):** TI's terms "Lead-Free" or "Pb-Free" mean semiconductor products that are compatible with the current RoHS requirements for all 6 substances, including the requirement that lead not exceed 0.1% by weight in homogeneous materials. Where designed to be soldered at high temperatures, TI Pb-Free products are suitable for use in specified lead-free processes.

**Pb-Free (RoHS Exempt):** This component has a RoHS exemption for either 1) lead-based flip-chip solder bumps used between the die and package, or 2) lead-based die adhesive used between the die and leadframe. The component is otherwise considered Pb-Free (RoHS compatible) as defined above.

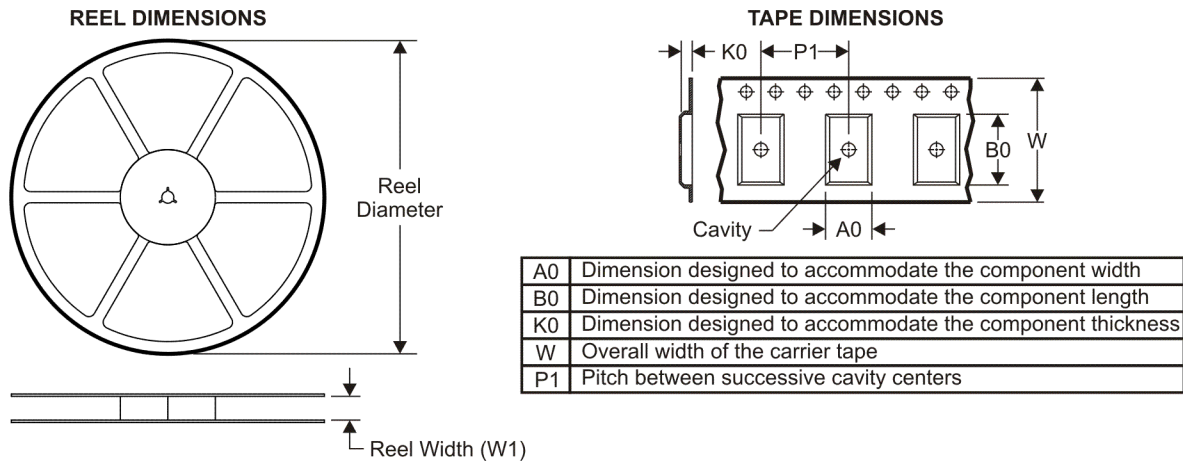
**Green (RoHS & no Sb/Br):** TI defines "Green" to mean Pb-Free (RoHS compatible), and free of Bromine (Br) and Antimony (Sb) based flame retardants (Br or Sb do not exceed 0.1% by weight in homogeneous material)

<sup>(3)</sup> MSL, Peak Temp. -- The Moisture Sensitivity Level rating according to the JEDEC industry standard classifications, and peak solder temperature.

**Important Information and Disclaimer:** The information provided on this page represents TI's knowledge and belief as of the date that it is provided. TI bases its knowledge and belief on information provided by third parties, and makes no representation or warranty as to the accuracy of such information. Efforts are underway to better integrate information from third parties. TI has taken and continues to take reasonable steps to provide representative and accurate information but may not have conducted destructive testing or chemical analysis on incoming materials and chemicals. TI and TI suppliers consider certain information to be proprietary, and thus CAS numbers and other limited information may not be available for release.

In no event shall TI's liability arising out of such information exceed the total purchase price of the TI part(s) at issue in this document sold by TI to Customer on an annual basis.

## TAPE AND REEL INFORMATION



### QUADRANT ASSIGNMENTS FOR PIN 1 ORIENTATION IN TAPE



\*All dimensions are nominal

Device	Package Type	Package Drawing	Pins	SPQ	Reel Diameter (mm)	Reel Width W1 (mm)	A0 (mm)	B0 (mm)	K0 (mm)	P1 (mm)	W (mm)	Pin1 Quadrant
TPS2419PWR	TSSOP	PW	8	2000	330.0	12.4	7.0	3.6	1.6	8.0	12.0	Q1

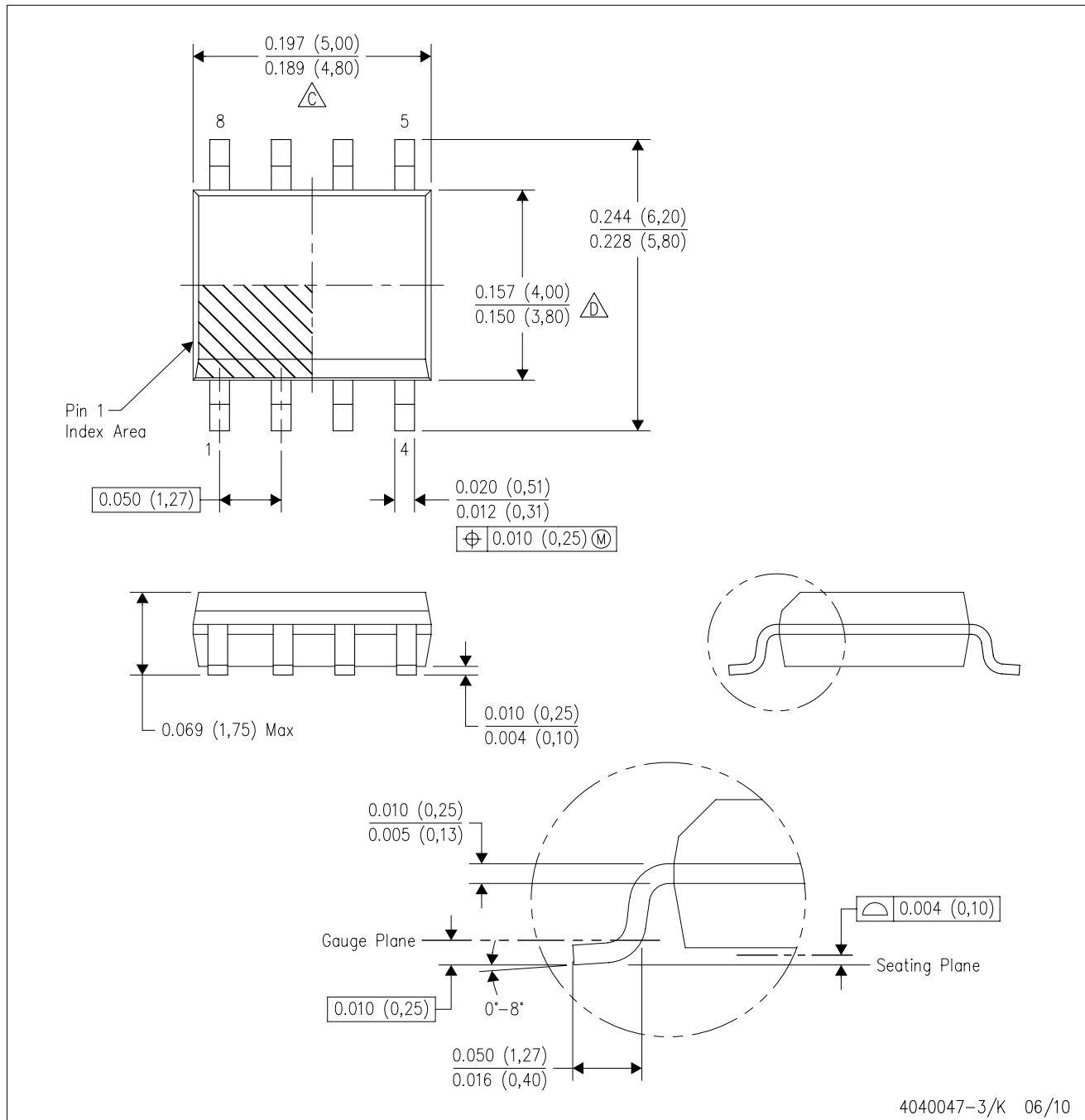
**TAPE AND REEL BOX DIMENSIONS**




\*All dimensions are nominal

Device	Package Type	Package Drawing	Pins	SPQ	Length (mm)	Width (mm)	Height (mm)
TPS2419PWR	TSSOP	PW	8	2000	346.0	346.0	29.0

D (R-PDSO-G8)

PLASTIC SMALL-OUTLINE PACKAGE

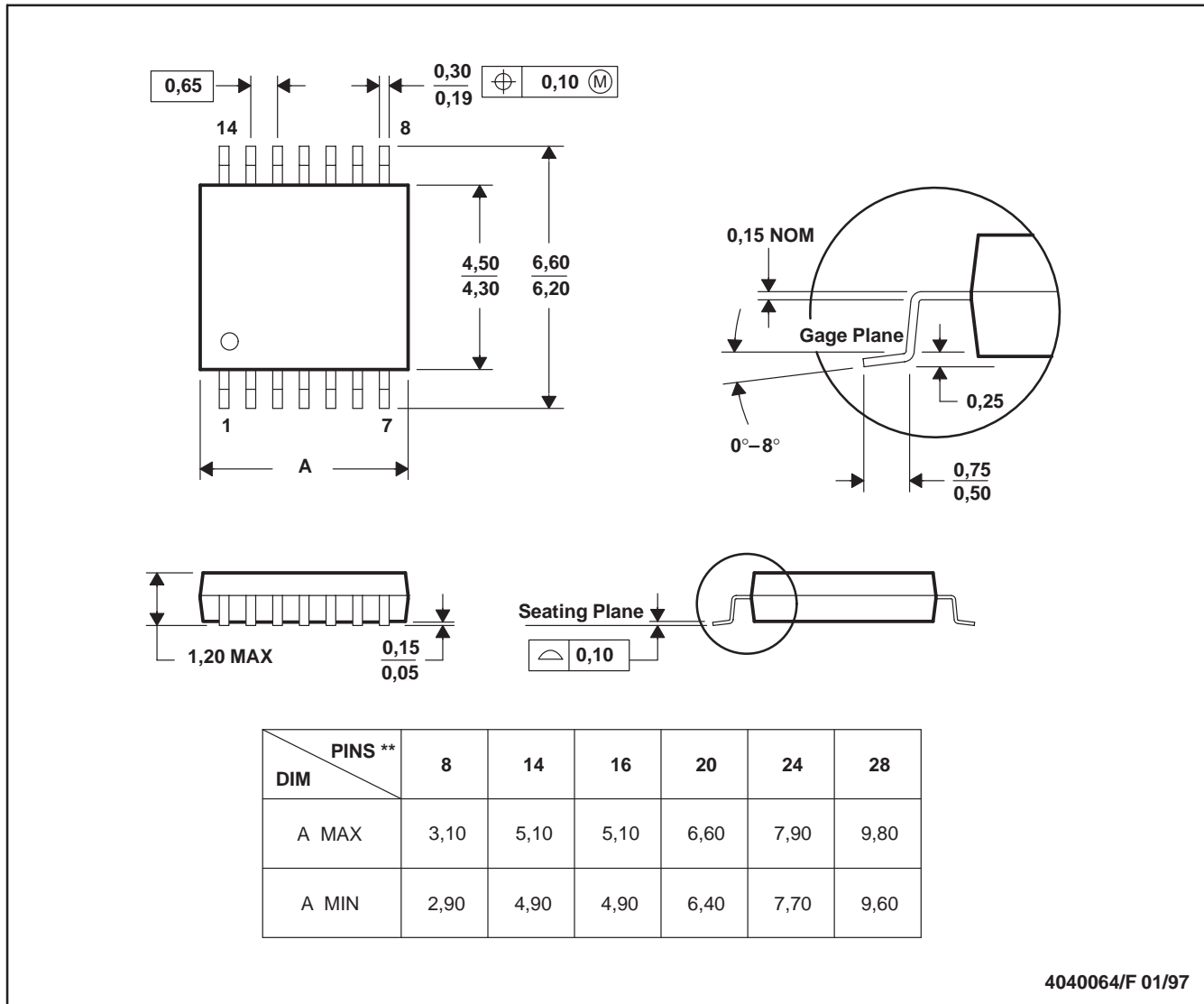


- NOTES:
- A. All linear dimensions are in inches (millimeters).
  - B. This drawing is subject to change without notice.
  -  Body length does not include mold flash, protrusions, or gate burrs. Mold flash, protrusions, or gate burrs shall not exceed .006 (0,15) per end.
  -  Body width does not include interlead flash. Interlead flash shall not exceed .017 (0,43) per side.
  - E. Reference JEDEC MS-012 variation AA.

PW (R-PDSO-G\*\*)

PLASTIC SMALL-OUTLINE PACKAGE

14 PINS SHOWN



4040064/F 01/97

- NOTES: A. All linear dimensions are in millimeters.  
 B. This drawing is subject to change without notice.  
 C. Body dimensions do not include mold flash or protrusion not to exceed 0,15.  
 D. Falls within JEDEC MO-153

## IMPORTANT NOTICE

Texas Instruments Incorporated and its subsidiaries (TI) reserve the right to make corrections, modifications, enhancements, improvements, and other changes to its products and services at any time and to discontinue any product or service without notice. Customers should obtain the latest relevant information before placing orders and should verify that such information is current and complete. All products are sold subject to TI's terms and conditions of sale supplied at the time of order acknowledgment.

TI warrants performance of its hardware products to the specifications applicable at the time of sale in accordance with TI's standard warranty. Testing and other quality control techniques are used to the extent TI deems necessary to support this warranty. Except where mandated by government requirements, testing of all parameters of each product is not necessarily performed.

TI assumes no liability for applications assistance or customer product design. Customers are responsible for their products and applications using TI components. To minimize the risks associated with customer products and applications, customers should provide adequate design and operating safeguards.

TI does not warrant or represent that any license, either express or implied, is granted under any TI patent right, copyright, mask work right, or other TI intellectual property right relating to any combination, machine, or process in which TI products or services are used. Information published by TI regarding third-party products or services does not constitute a license from TI to use such products or services or a warranty or endorsement thereof. Use of such information may require a license from a third party under the patents or other intellectual property of the third party, or a license from TI under the patents or other intellectual property of TI.

Reproduction of TI information in TI data books or data sheets is permissible only if reproduction is without alteration and is accompanied by all associated warranties, conditions, limitations, and notices. Reproduction of this information with alteration is an unfair and deceptive business practice. TI is not responsible or liable for such altered documentation. Information of third parties may be subject to additional restrictions.

Resale of TI products or services with statements different from or beyond the parameters stated by TI for that product or service voids all express and any implied warranties for the associated TI product or service and is an unfair and deceptive business practice. TI is not responsible or liable for any such statements.

TI products are not authorized for use in safety-critical applications (such as life support) where a failure of the TI product would reasonably be expected to cause severe personal injury or death, unless officers of the parties have executed an agreement specifically governing such use. Buyers represent that they have all necessary expertise in the safety and regulatory ramifications of their applications, and acknowledge and agree that they are solely responsible for all legal, regulatory and safety-related requirements concerning their products and any use of TI products in such safety-critical applications, notwithstanding any applications-related information or support that may be provided by TI. Further, Buyers must fully indemnify TI and its representatives against any damages arising out of the use of TI products in such safety-critical applications.

TI products are neither designed nor intended for use in military/aerospace applications or environments unless the TI products are specifically designated by TI as military-grade or "enhanced plastic." Only products designated by TI as military-grade meet military specifications. Buyers acknowledge and agree that any such use of TI products which TI has not designated as military-grade is solely at the Buyer's risk, and that they are solely responsible for compliance with all legal and regulatory requirements in connection with such use.

TI products are neither designed nor intended for use in automotive applications or environments unless the specific TI products are designated by TI as compliant with ISO/TS 16949 requirements. Buyers acknowledge and agree that, if they use any non-designated products in automotive applications, TI will not be responsible for any failure to meet such requirements.

Following are URLs where you can obtain information on other Texas Instruments products and application solutions:

<b>Products</b>		<b>Applications</b>	
Amplifiers	<a href="http://amplifier.ti.com">amplifier.ti.com</a>	Audio	<a href="http://www.ti.com/audio">www.ti.com/audio</a>
Data Converters	<a href="http://dataconverter.ti.com">dataconverter.ti.com</a>	Automotive	<a href="http://www.ti.com/automotive">www.ti.com/automotive</a>
DLP® Products	<a href="http://www.dlp.com">www.dlp.com</a>	Communications and Telecom	<a href="http://www.ti.com/communications">www.ti.com/communications</a>
DSP	<a href="http://dsp.ti.com">dsp.ti.com</a>	Computers and Peripherals	<a href="http://www.ti.com/computers">www.ti.com/computers</a>
Clocks and Timers	<a href="http://www.ti.com/clocks">www.ti.com/clocks</a>	Consumer Electronics	<a href="http://www.ti.com/consumer-apps">www.ti.com/consumer-apps</a>
Interface	<a href="http://interface.ti.com">interface.ti.com</a>	Energy	<a href="http://www.ti.com/energy">www.ti.com/energy</a>
Logic	<a href="http://logic.ti.com">logic.ti.com</a>	Industrial	<a href="http://www.ti.com/industrial">www.ti.com/industrial</a>
Power Mgmt	<a href="http://power.ti.com">power.ti.com</a>	Medical	<a href="http://www.ti.com/medical">www.ti.com/medical</a>
Microcontrollers	<a href="http://microcontroller.ti.com">microcontroller.ti.com</a>	Security	<a href="http://www.ti.com/security">www.ti.com/security</a>
RFID	<a href="http://www.ti-rfid.com">www.ti-rfid.com</a>	Space, Avionics & Defense	<a href="http://www.ti.com/space-avionics-defense">www.ti.com/space-avionics-defense</a>
RF/IF and ZigBee® Solutions	<a href="http://www.ti.com/lprf">www.ti.com/lprf</a>	Video and Imaging	<a href="http://www.ti.com/video">www.ti.com/video</a>
		Wireless	<a href="http://www.ti.com/wireless-apps">www.ti.com/wireless-apps</a>

Mailing Address: Texas Instruments, Post Office Box 655303, Dallas, Texas 75265  
Copyright © 2010, Texas Instruments Incorporated